

SE-100

SINGLE GROUP OUTPUT
POWER SUPPLY

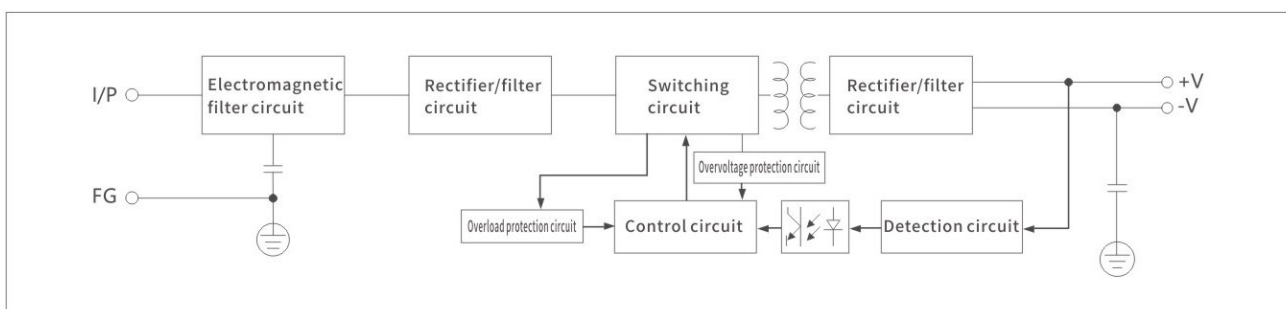


Product Overview

The SE-100 series is a 100W single group output closed type power supplies, using 220VAC selective AC input. The entire series provides 5V, 12V, 24V, 36V and 48V output.

In addition to the efficiency of up to 88%, the design of the metal mesh enclosure enhances the heat dissipation ability, allowing the SE-100 to operate in the temperature range of - 10 °C to +50 °C without a fan. Making it easy for the terminal system to meet international energy requirements. The SE-100 have complete protection functions and resistance to 3G vibration; It complies with TUV EN60950-1, EN60335-1, EN61558-1/-2-16, UL60950-1 and GB4943 international safety regulations. The SE-100 series provide a cost-effective solution for various industrial applications.

Principle diagram



Technical parameter

Type	Technical indicators					
Output	DC voltage	5V	12V	24V	36V	48V
	Ripple and noise ①	<75mV	<120mV	<150mV	<240mV	<240mV
	Voltage regulation range	±10%				
	Voltage accuracy	±2.0%	±1.0%			
	Linear adjustment rate	±0.5%				
	Load adjustment rate	<±1.5%	<±0.5%	<±0.5%	<±0.5%	<±0.5%
Input	Voltage range/frequency	85-132VAC/176-264VAC 47Hz~63Hz (254VDC~370VDC)				
	Efficiency (typical) ②	>75%	>82%	>84%	>84%	>84%
	Operating current	<1.2A 220VAC				
	Impulse current	220VAC 36A				
	Start up time	200ms、50ms、20ms: 220VAC				
	Leakage current	<1mA 240VAC				
Protection characteristics	Overload protection	≥ 105% - 150% Type: constant current output +VO drops to undervoltage point Cut off output reset: power on again				
	Short circuit protection	+VO drops to underpressure point to close output				
Environment	Operating temperature、humidity	-10°C~+50°C; 20%~90RH				
	Storage temperature、humidity	-20°C~+85°C; 10%~95RH				
Security	Withstand voltage	Input - output : 1.5KVAC input - case : 1.5KVAC output - case: 0.5KVAC duration :1 minute				
	Leakage current	Input - output 1.5KVAC < 5mA				
	Isolation resistor	Input - output and input - shell, output - shell: 500 VDC / 100 mΩ				
Other	Size	199*98*38mm(L*W*H)				
	Net weight/gross weight	535g/580.8g				
Remarks	<p>①Ripple and noise measurement method: use a 12 twisted pair, and connect 0.1uF and 47uF capacitors in parallel at the terminal, and measure at 20MHz bandwidth.</p> <p>② The efficiency is tested at the input voltage of 230VAC, rated load and ambient temperature of 25 °C. Precision: including setting error, linear adjustment rate and load adjustment rate.</p> <p>Test method of linear regulation: test from low voltage to high voltage under rated load.</p> <p>Load adjustment rate test method: from 0% to 100% of rated load.</p> <p>The starting time is measured under the cold start state. Fast and frequent startup and shutdown may increase the starting time. When the operating altitude is higher than 2000 meters, the operating ambient temperature needs to be reduced by 5 °C/1000 meters.</p>					

Type	SE-100				
DC voltage	5V	12V	24V	36V	48V
Rated current	18A	8.3A	4.1A	2.8A	2.1A
Rated power	90W	100.8W	100.8W	100.8W	100.8W

SE-150/200

SINGLE GROUP OUTPUT
POWER SUPPLY

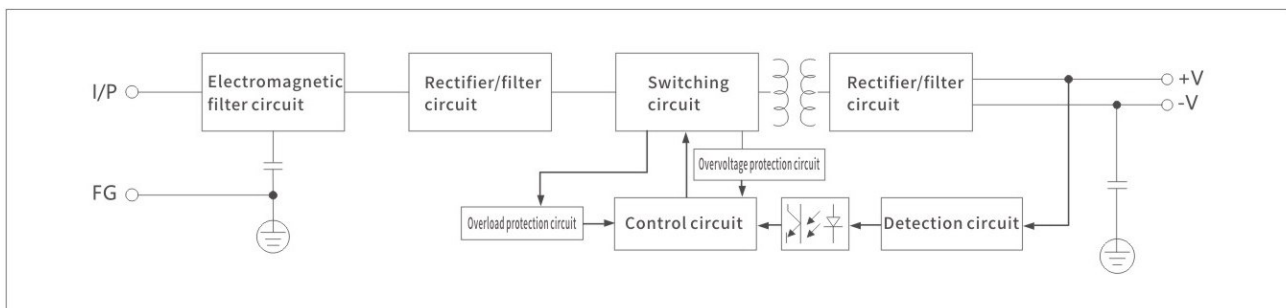


Product Overview

The SE-150, 200 series is a 150W, 200W single group output closed type power supply with 110~264VAC selective AC input. The entire series provides 5V, 12V, 24V, 36V and 48V output.

In addition to the efficiency of up to 88%, the design of the metal mesh housing enhances the heat dissipation ability, allowing the SE-150, 200 to operate in the temperature range of - 10 °C to +50 °C without a fan. Making it easy for the terminal system to meet international energy requirements. The SE-150, 200 has complete protection functions and resistance to 3G vibration; It complies with TUV EN60950-1, EN60335-1, EN61558-1/-2-16, UL60950-1 and GB4943 international safety regulations. The SE-150, 200 series provides a cost-effective solution for various industrial applications.

Principle diagram



Technical parameter

Type	Technical indicators					
Output	DC voltage	5V	12V	24V	36V	48V
	Rated current	25A	12.5A	6.25A	4.16A	3.12A
	Rated power	125W	150W	150W	150W	150W
	Ripple and noise ①	<75mV	<120mV	<150mV	<240mV	<240mV
	Voltage regulation range	±10%				
	Voltage accuracy	±2.0%	±1.0%			
	Linear adjustment rate	<±0.5%				
	Load adjustment rate	<±1.5%	<±0.5%	<±0.5%	<±0.5%	<±0.5%
Input	Voltage range/frequency	85-132VAC/176-264VAC 47Hz~63Hz (254VDC~370VDC)				
	Efficiency (typical) ②	>78%	>82%	>84%	>84%	>84%
	Operating current	<2.5A 110VAC <1.5A 220VAC				
	Impulse current	110VAC 18A 220VAC 36A				
	Start up time	200ms、50ms、20ms: 220VAC				
	Leakage current	<1mA 240VAC				
Protection characteristics	Overload protection	≥ 105% - 150% Type: constant current output+VO drops to undervoltage point Cut off output reset: power on again				
	Short circuit protection	+VO drops to underpressure point to close output				
Environment	Operating temperature、humidity	-10°C~+50°C; 20%~90RH				
	Storage temperature、humidity	-20°C~+85°C; 10%~95RH				
Security	Withstand voltage	Input - output : 1.5KVAC input - case : 1.5KVAC output - case: 0.5KVAC duration :1 minute				
	Leakage current	Input - output 1.5KVAC < 5mA				
	Isolation resistor	Input - output and input - shell, output - shell: 500 VDC / 100 mΩ				
Other	Size	199*98*38mm(L*W*H)				
	Net weight/gross weight	616.3g/654.3g				
Remarks	<p>①Ripple and noise measurement method: use a 12 twisted pair, and connect 0.1uF and 47uF capacitors in parallel at the terminal, and measure at 20MHz bandwidth.</p> <p>② The efficiency is tested at the input voltage of 230VAC, rated load and ambient temperature of 25 °C. Precision: including setting error, linear adjustment rate and load adjustment rate.</p> <p>Test method of linear regulation: test from low voltage to high voltage under rated load.</p> <p>Load adjustment rate test method: from 0% to 100% of rated load.</p> <p>The starting time is measured under the cold start state. Fast and frequent startup and shutdown may increase the starting time. When the operating altitude is higher than 2000 meters, the operating ambient temperature needs to be reduced by 5 °C/1000 meters.</p>					

SE-200 SERIES

SINGLE GROUP OUTPUT POWER SUPPLY



Technical parameter

Type		Technical indicators			
Output	DC voltage	5V	12V	24V	36V
	Rated current	35A	16.6A	8.3A	5.5A
	Rated power	175W	199.2W	199.2W	198W
	Ripple and noise ①	< 100mV	< 150mV	< 150mV	< 240mV
	Voltage accuracy	±2%	±1%		
	Output voltage regulation range	±10%			
	Load adjustment rate	< ±1.5%	< ±0.5%	< ±0.5%	< ±0.5%
	Linear adjustment rate	< ±0.5%			
Input	Voltage range	176-264VAC 47Hz ~ 63Hz (254VDC ~ 370VDC)			
	Efficiency (typical) ②	> 78%	> 82%	> 84%	> 84%
	Working current	< 2.2A 220VAC			
	Impulse current	220VAC 50A			
	Start, rise, hold time	200ms 、 50ms 、 20ms : 220VAC			
Protection	overload protection	≥ 105% - 150% type: constant current output + vaao reduced to undervoltage point cut off output reset: power on again			
	Short circuit protection	+VODrop to undervoltage point to close output			
Environmental	Working temperature and humidity	-10 °C ~ +50 °C ; 20% ~ 90RH			
	Storage temperature and humidity	-20 °C ~ +85 °C ; 10% ~ 95RH			
Safety	Safety Standards	BIS IS 13252(PART 1):2010/ IEC 60950-1 : 2005 BS EN 55032:2015+A11:2020 BS EN 55035:2017+A11:2020 BS EN 61000-3-2:2019 8s EN 61000-3-3:2013+A1:2019 EN 61000-3-3:2013+A2:2021; EN IEC 55014-2: 2021.			
	Withstand voltage	Input output: 1.5kVac input shell: 1.5kVac output shell: 0.5kvac for 1 minute			
	Leakage current	5mA at 1.5kVac input-output			
	Leakage current	Input output at 220VAC < 1mA			
	Isolation resistance	Input output, input shell, output shell: 500VDC / 100M Ω			
Other	Size	199*110*50mm			
	Net weight / gross weight	727.8/780.g			

SE-350

SINGLE GROUP OUTPUT
POWER SUPPLY

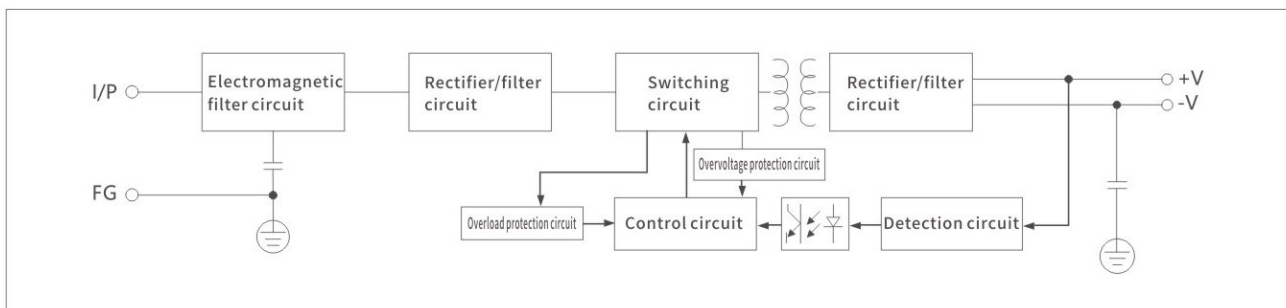


Product Overview

The SE-350 series is a 350W single group output enclosed power supplies that use 110/220VAC selective AC input to provide 5V, 12V, 18V, 24V, 36V, and 48V output for the entire series.

In addition to an efficiency of up to 88%, the metal mesh enclosure intelligent fan design enhances heat dissipation capabilities, making the SE-350 more stable in harsh environments, making it easy for the terminal system to meet international energy requirements. The SE-350 has complete protection functions; It complies with TUV EN60950-1, EN60335-1, EN61558-1/2-16, UL60950-1 and GB4943 international safety regulations. The SE-350series provide a cost-effective solution for various industrial applications.

Principle diagram



Technical parameter

Type	Technical indicators						
Output	DC voltage	5V	12V	18V	24V	36V	48V
	Rated current	50A	29A	19.4A	14.5A	9.7A	7.3A
	Rated power	250W	350W	350W	350W	350W	350.4W
	Ripple and noise ①	<150mV	<150mV	<150mV	<150mV	<240mV	<240mV
	Voltage regulation range	±10%					
	Voltage accuracy	±2.0%	±1.0%				
	Linear adjustment rate	<±0.5%					
	Load adjustment rate	<±1.5%	<±1.2%	<±1.2%	<±1%	<±0.5%	<±0.5%
Input	Voltage range/frequency	90-132VAC/180-264VAC 47Hz~63Hz 254VDC~370VDC					
	Efficiency (typical) ②	>74%	>82%	>82%	>84%	>86%	>86%
	Operating current	<5.2A 110VAC <2.8A 220VAC					
	Impulse current	110VAC 25A 220VAC 50A					
	Start up time	200ms、50ms、20ms: 220VAC					
	Leakage current	<1mA 240VAC					
Protection characteristics	Overload protection	≥ 105% - 150% Type: constant current output+VO drops to undervoltage point Cut off output reset: power on again					
	Over/under voltage protection	≥115%-135%VO _{UT} ≤10%-45%VO _{UT}					
	Over temperature protection/short circuit protection	RTH3: ≥ 65 °C fan starts, ≤ 55 °C fan closes, ≥ 80 °C fan closes output (5V)/+VO drops to undervoltage point and closes output					
Environment	Operating temperature、humidity	-10°C~+50°C; 20%~90RH					
	Storage temperature、humidity	-20°C~+85°C; 10%~95RH					
Security	Withstand voltage	Input - output : 1.5KVAC input - case : 1.5KVAC output - case: 0.5KVAC duration :1 minute					
	Leakage current	Input - output 1.5KVAC < 5mA					
	Isolation resistor	Input - output and input - shell, output - shell: 500 VDC / 100 mΩ					
Other	Size	215*114*50mm(L*W*H)					
	Net weight/gross weight	874.1g/936.3g					
Remarks	<p>① Ripple and noise measurement method: use a 12 twisted pair, and connect 0.1uF and 47uF capacitors in parallel at the terminal, and measure at 20MHz bandwidth.</p> <p>② The efficiency is tested at the input voltage of 230VAC, rated load and ambient temperature of 25 °C. Precision: including setting error, linear adjustment rate and load adjustment rate.</p> <p>Test method of linear regulation: test from low voltage to high voltage under rated load.</p> <p>Load adjustment rate test method: from 0% to 100% of rated load.</p> <p>The starting time is measured under the cold start state. Fast and frequent startup and shutdown may increase the starting time. When the operating altitude is higher than 2000 meters, the operating ambient temperature needs to be reduced by 5 °C/1000 meters.</p>						

SE-450/600

SINGLE GROUP OUTPUT
POWER SUPPLY

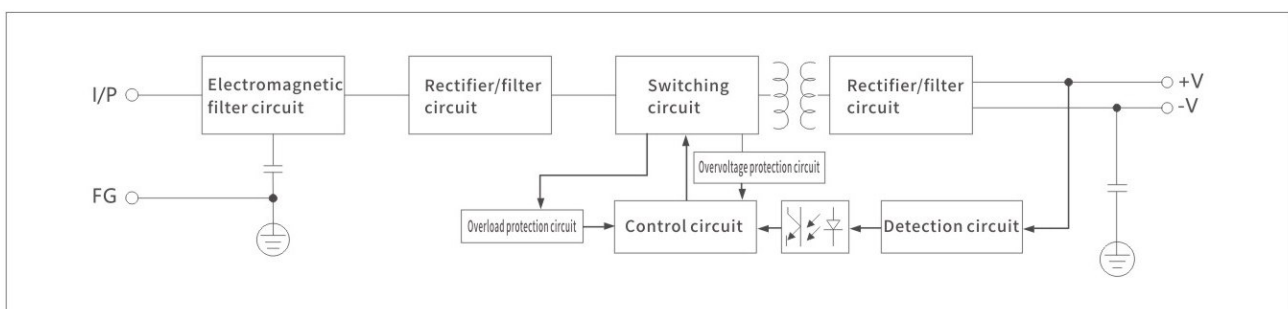


Product Overview

The SE-450, 600 series are 450, 600W single group output enclosed power supplies that use 85 to 264VAC full range AC input to provide 12V, 24V, 36V, 48V output for the entire series.

In addition to the efficiency of up to 88%, the metal mesh housing intelligent fan design enhances the heat dissipation ability, making the SE-450, 600 work more stable in harsh environments, making it easy for the terminal system to meet international energy requirements. The SE-450, 600, 800 have complete protection functions; It complies with TUV EN60950-1, EN60335-1, EN61558-1/-2-16, UL60950 and GB4943 international safety regulations. The SE-450, 600 series provide a cost-effective solution for various industrial applications.

Principle diagram



Technical parameter

Type	Technical indicators				
Output	DC voltage	12V	24V	36V	48V
	Rated current	41.6A	20.8A	13.8A	10.4A
	Rated power	499.2	499.2	496.8	499.2
	Ripple and noise ①	<150mV	<150mV	<240mV	<240mV
	Voltage regulation range	±10%			
	Voltage accuracy	±1.0%			
	Linear adjustment rate	<±1%			
	Load adjustment rate	<±1.2%	<±1%	<±0.5%	<±0.5%
Input	Voltage range/frequency	180-264VAC 47Hz~63Hz; 254VDC~370VDC			
	Efficiency (typical) ②	>82%	>84%	>86%	>86%
	Operating current	<5A 230VAC			
	Impulse current	220VAC 50A			
	Start up time	2000ms、50ms、20ms: 220VAC			
	Leakage current	<1mA 240VAC			
Protection characteristics	Overload protection	≥ 105% - 150% Type: constant current output+VO drops to undervoltage point Cut off output reset: power on again			
	Over/under voltage protection	≥115%-135%VOUT ≤35%-45%VOUT			
	Over temperature protection/ short circuit protection	RTH3: ≥ 45 °C fan slow rotation, ≥ 60 °C fan fast rotation, ≥ 85 °C shutdown output/shutdown output power<300W			
Environment	Operating temperature、humidity	-10°C~+50°C; 20%~90RH			
	Storage temperature、humidity	-20°C~+85°C; 10%~95RH			
Security	Withstand voltage	Input - output : 1.5KVAC input - case : 1.5KVAC output - case: 0.5KVAC duration :1 minute			
	Leakage current	Input - output 1.5KVAC < 5mA			
	Isolation resistor	Input - output and input - shell, output - shell: 500 VDC / 100 mΩ			
Other	Size	215*114*50mm(L*W*H)			
	Net weight/gross weight	1268g/1358g			
Remarks	<p>①Ripple and noise measurement method: use a 12 twisted pair, and connect 0.1uF and 47uF capacitors in parallel at the terminal, and measure at 20MHz bandwidth.</p> <p>② The efficiency is tested at the input voltage of 230VAC, rated load and ambient temperature of 25 °C. Precision: including setting error, linear adjustment rate and load adjustment rate.</p> <p>Test method of linear regulation: test from low voltage to high voltage under rated load.</p> <p>Load adjustment rate test method: from 0% to 100% of rated load.</p> <p>The starting time is measured under the cold start state. Fast and frequent startup and shutdown may increase the starting time. When the operating altitude is higher than 2000 meters, the operating ambient temperature needs to be reduced by 5 °C/1000 meters.</p>				

Technical parameter

Type	Technical indicators				
Output	DC voltage	12V	24V	36V	48V
	Rated current	50A	25A	16.6A	12.5A
	Rated power	600W	600W	600W	600W
	Ripple and noise ①	<150mV	<150mV	<240mV	<240mV
	Voltage regulation range	±10%			
	Voltage accuracy	±1.0%			
	Linear adjustment rate	<±1%			
	Load adjustment rate	<±1.2%	<±1%	<±0.5%	<±0.5%
Input	Voltage range/frequency	180-264VAC 47Hz~63Hz; 254VDC~370VDC			
	Efficiency (typical) ②	>82%	>84%	>86%	>86%
	Operating current	<5A 230VAC			
	Impulse current	220VAC 50A			
	Start up time	200ms、50ms、20ms: 220VAC			
	Leakage current	<1mA 240VAC			
Protection characteristics	Overload protection	≥ 105% - 150% Type: constant current output+VO drops to undervoltage point Cut off output reset: power on again			
	Short circuit protection/ overvoltage protection	Shutdown output power<300W/≥ 115% - 145%			
	Over temperature protection	RTH3: ≥ 45 °C fan slow rotation, ≥ 60 °C fan fast rotation, ≥ 85 °C shutdown output			
Environment	Operating temperature、humidity	-10°C~+50°C; 20%~90RH			
	Storage temperature、humidity	-20°C~+85°C; 10%~95RH			
Security	Withstand voltage	Input - output : 1.5KVAC input - case : 1.5KVAC output - case: 0.5KVAC duration :1 minute			
	Leakage current	Input - output 1.5KVAC < 5mA			
	Isolation resistor	Input - output and input - shell, output - shell: 500 VDC / 100 mΩ			
Other	Size	241*125*65mm(L*W*H)			
	Net weight/gross weight	1268g/1358g			
Remarks	<p>① Ripple and noise measurement method: use a 12 twisted pair, and connect 0.1uF and 47uF capacitors in parallel at the terminal, and measure at 20MHz bandwidth.</p> <p>② The efficiency is tested at the input voltage of 230VAC, rated load and ambient temperature of 25 °C. Precision: including setting error, linear adjustment rate and load adjustment rate.</p> <p>Test method of linear regulation: test from low voltage to high voltage under rated load.</p> <p>Load adjustment rate test method: from 0% to 100% of rated load.</p> <p>The starting time is measured under the cold start state. Fast and frequent startup and shutdown may increase the starting time. When the operating altitude is higher than 2000 meters, the operating ambient temperature needs to be reduced by 5 °C/1000 meters.</p>				

SE-1000

SINGLE GROUP OUTPUT
POWER SUPPLY

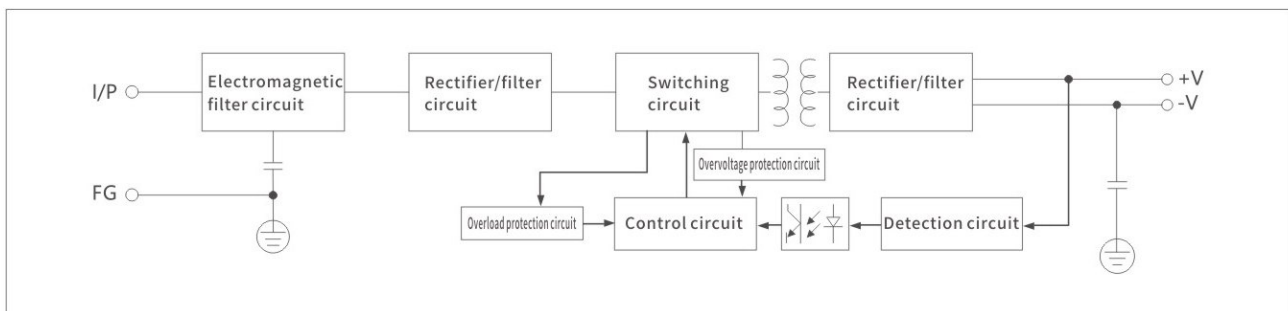


Product Overview

The SE-1000 series is a 1000W single group output closed type power supply with 110V/220V selective AC input. The entire series provides 12V, 24V, 36V and 48V output.

In addition to an efficiency of up to 88%, the metal mesh housing intelligent fan design enhances heat dissipation capabilities, making the SE-1000 more stable in harsh environments, making it easy for the terminal system to meet international energy requirements. The SE-1000 has complete protection functions; It complies with TUV EN60950-1, EN60335-1, EN61558-1/-2-16, UL60950-1 and GB4943 international safety regulations. The SE-1000 series provides a cost-effective solution for various industrial applications.

Principle diagram



Technical parameter

Type	Technical indicators				
Output	DC voltage	12V	24V	36V	48V
	Rated current	80A	40A	27.5A	20A
	Rated power	960W	960W	990W	960W
	Ripple and noise ①	<150mV	<150mV	<240mV	<240mV
	Voltage regulation range	±10%			
	Voltage accuracy	±1.0%			
	Linear adjustment rate	<±1%			
	Load adjustment rate	<±1.2%	<±1%	<±0.5%	<±0.5%
Input	Voltage range/frequency	180-264VAC 47Hz~63Hz; 254VDC~370VDC			
	Efficiency (typical) ②	>82%	>84%	>86%	>86%
	Operating current	220VAC: 60A			
	Impulse current	<10A 230VAC			
	Start up time	2000ms、50ms、20ms: 230VAC			
	Leakage current	<1mA 240VAC			
Protection characteristics	Overload protection	≥ 105% - 150% Type: constant current output+VO reduced to undervoltage point Cut off output reset: power on again			
	Overvoltage protection/ short circuit protection	Output Closed (≥115%-145%)/Output Closed			
	Over temperature protection	RTH3: Fan rotates normally, ≥ 90 °C, output closed			
Environment	Operating temperature、humidity	-10°C~+50°C; 20%~90RH			
	Storage temperature、humidity	-20°C~+85°C; 10%~95RH			
Security	Withstand voltage	Input - output : 1.5KVAC input - case : 1.5KVAC output - case: 0.5KVAC duration :1 minute			
	Leakage current	Input - output 1.5KVAC < 6mA			
	Isolation resistor	Input - output and input - shell, output - shell: 500 VDC / 100 mΩ			
Other	Size	340*133*67mm(L*W*H)			
	Net weight/gross weight	2kg/2.1kg			
Remarks	<p>①Ripple and noise measurement method: use a 12 twisted pair, and connect 0.1uF and 47uF capacitors in parallel at the terminal, and measure at 20MHz bandwidth.</p> <p>② The efficiency is tested at the input voltage of 230VAC, rated load and ambient temperature of 25 °C. Precision: including setting error, linear adjustment rate and load adjustment rate.</p> <p>Test method of linear regulation: test from low voltage to high voltage under rated load.</p> <p>Load adjustment rate test method: from 0% to 100% of rated load.</p> <p>The starting time is measured under the cold start state. Fast and frequent startup and shutdown may increase the starting time. When the operating altitude is higher than 2000 meters, the operating ambient temperature needs to be reduced by 5 °C/1000 meters.</p>				

SE-1500

SINGLE GROUP OUTPUT
POWER SUPPLY

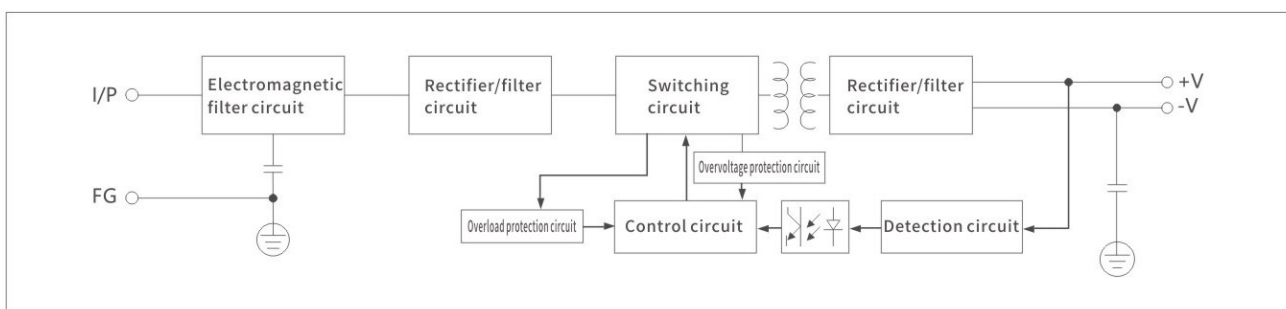


Product Overview

The SE-1500 series is a 1500W single group output enclosed power supplies that use 180 to 264VAC AC input to provide 12V, 24V, 36V and 48V output throughout the series.

In addition to an efficiency of up to 88%, the metal mesh housing intelligent fan design enhances heat dissipation capabilities, making the SE-1500 more stable in harsh environments, making it easy for the terminal system to meet international energy requirements. The SE-1500 have complete protection functions; It complies with TUV EN60950-1, EN60335-1, EN61558-1/-2-16, UL60950-1 and GB4943 international safety regulations. The SE-1500 series provide a cost-effective solution for various industrial applications.

Principle diagram



Technical parameter

Type	Technical indicators				
Output	Dc voltage	12V	24V	36V	48V
	Ripple and noise ①	<150mV	<150mV	<240mV	<240mV
	Voltage regulation range	±10%			
	Voltage accuracy	±1.0%			
	Linear adjustment rate	±1%			
	Load adjustment rate	<±1.2%	<±1%	<±0.5%	<±0.5%
Input	Voltage range/frequency	180-264VAC 47Hz~63Hz ; 254VDC~370VDC			
	Efficiency (typical) ②	>85%	>88%	>88%	>88%
	Operating current	220VAC: 13.5A			
	Impulse current	60A 230VAC			
	Start up time	2000ms、50ms、20ms: 230VAC			
	Leakage current	≤1.5mA 240VAC			
Protection characteristics	Overload protection	≥ 105% - 150% Type: constant current output+VO reduced to undervoltage point Cut off output reset: power on again			
	Over temperature protection	RTH3: Fan rotates normally, ≥ 90 °C, output closed			
Environment	Operating temperature、humidity	-10°C~+50°C; 20%~90RH			
	Storage temperature、humidity	-20°C~+85°C; 10%~95RH			
Security	Withstand voltage	Input - output : 1.5KVAC input - case : 1.5KVAC output - case: 0.5KVAC duration :1 minute			
	Leakage current	Input - output 1.5KVAC < 6mA			
	Isolation resistor	Input - output and input - shell, output - shell: 500 VDC / 100 mΩ			
Other	Size	280*160*85mm(L*W*H)			
	Net weight/gross weight	3kg/3.1kg			
Remarks	<p>①Ripple and noise measurement method: use a 12 twisted pair, and connect 0.1uF and 47uF capacitors in parallel at the terminal, and measure at 20MHz bandwidth.</p> <p>② The efficiency is tested at the input voltage of 230VAC, rated load and ambient temperature of 25 °C. Precision: including setting error, linear adjustment rate and load adjustment rate.</p> <p>Test method of linear regulation: test from low voltage to high voltage under rated load.</p> <p>Load adjustment rate test method: from 0% to 100% of rated load.</p> <p>The starting time is measured under the cold start state. Fast and frequent startup and shutdown may increase the starting time. When the operating altitude is higher than 2000 meters, the operating ambient temperature needs to be reduced by 5 °C/1000 meters.</p>				

Type	SE-1500			
DC voltage	12V	24V	36V	48V
Rated current	120A	60A	42A	31.5A
Rated power	1440W	1440W	1512W	1512W