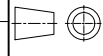


RECOMMENDED PCB LAYOUT
TOLERANCE: ±0.05mm

Material:
Housing: PBT+30% Glass filled ,UL 94V-0
Contacts: Brass ,Gold Plating.
Shell: Steel, Nickel Plating

Electrical Characteristics:
Current Rating: 5 AMP
Insulator Resistance: 1000MΩ Min. at DC 500V
Withstanding Voltage: 500V AC (rms) for 1 minute
Contact Resistance: 20mΩ Max. Initial
Operating Temperature: -55°C ~ +105°C

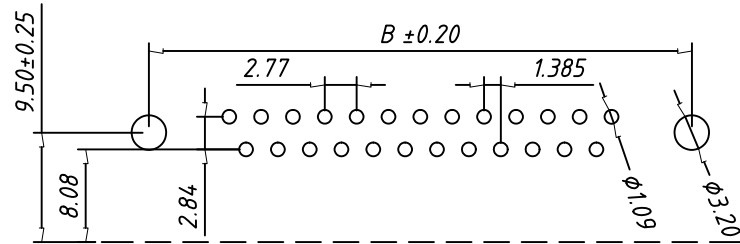
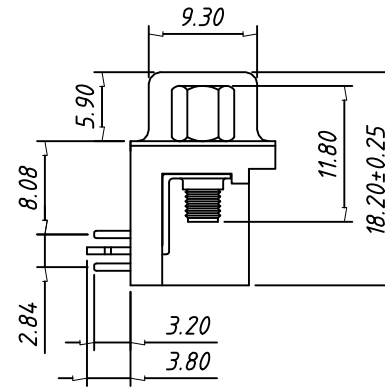
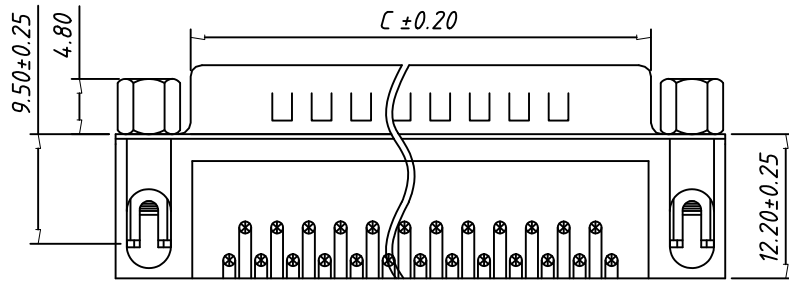
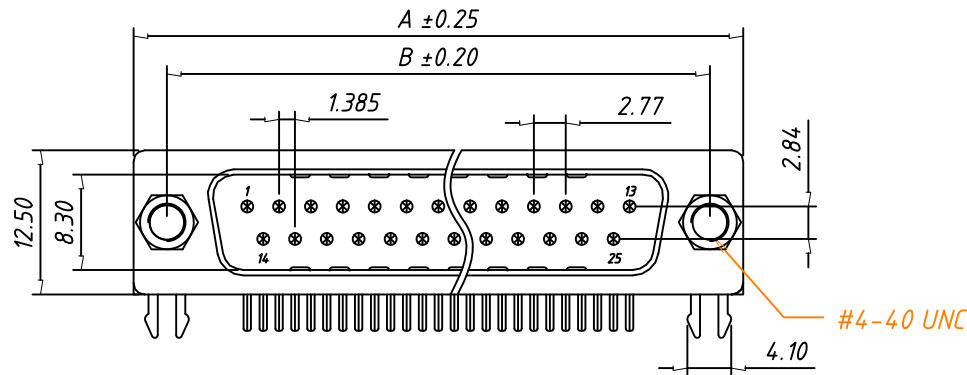
| Total Pitch Tolerances in mm | | | | | | | | | Nominal dimension range in mm | | | | | | | | | | ⊥ | ≡ | — | // | | |
|------------------------------|---------|---------|---------|---------|----------|----------|----------|----------|-------------------------------|---------|---------|---------|---------|----------|----------|----------|----------|----------|--------|---------|-----|--------|----------|----------|
| over 0 | over 30 | over 53 | over 70 | over 90 | over 115 | over 150 | over 250 | over 350 | over 0 | over 30 | over 53 | over 70 | over 90 | over 115 | over 150 | over 200 | over 250 | over 320 | over 0 | over 10 | all | over 0 | over 100 | over 150 |
| ±0.18 | ±0.20 | ±0.25 | ±0.3 | ±0.35 | ±0.44 | ±0.60 | ±0.70 | ±0.85 | ±0.20 | ±0.25 | ±0.30 | ±0.35 | ±0.44 | ±0.55 | ±0.70 | ±0.80 | ±0.90 | 0.2 | 0.3 | 0.3 | 0.2 | 0.3 | 0.5 | |

| ITEM | NAME OF PART | NO. OF PART | Q'TY | MATERIAL | | | NOTE | | |
|------|--------------|-------------|---|-----------------|-------|----|----------|-------|------|
| DWG. | | DATE | SIZE | A4 | UNITS | mm | SHEET/OF | 1 / 1 | |
| CHK. | | DATE | SCALE | | | | | | |
| APP. | | DATE |  | DRB-XXFA | | | | | |
| | | | | | | | | | NAME |
| | | | | DWGNO. | | | | | |



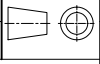
Material:
 Housing: PBT+30% Glass filled, UL 94V-0
 Contacts: Brass, Gold Plating
 Shell: Steel, Nickel Plating

Electrical Characteristics:
 Current Rating: 5 AMP
 Insulator Resistance: 1000MΩ Min. at DC 500V
 Withstanding Voltage: 500V AC (rms) for 1 minute
 Contact Resistance: 20mΩ Max. Initial
 Operating Temperature: -55°C ~ +105°C



RECOMMENDED PCB LAYOUT
 TOLERANCE: ±0.05mm

| Total Pitch Tolerances in mm | | | | | | | | | | Nominal dimension range in mm | | | | | | | | | | ⊥ | ≡ | — | // | | |
|------------------------------|---------|---------|---------|---------|----------|----------|----------|----------|----------|-------------------------------|---------|---------|---------|---------|----------|----------|----------|----------|----------|--------|---------|-----|--------|----------|----------|
| over 0 | over 30 | over 53 | over 70 | over 90 | over 115 | over 150 | over 250 | over 350 | over 500 | over 0 | over 30 | over 53 | over 70 | over 90 | over 115 | over 150 | over 200 | over 250 | over 320 | over 0 | over 10 | all | over 0 | over 100 | over 150 |
| ±0.18 | ±0.20 | ±0.25 | ±0.3 | ±0.35 | ±0.44 | ±0.60 | ±0.70 | ±0.85 | ±0.20 | ±0.25 | ±0.30 | ±0.35 | ±0.44 | ±0.55 | ±0.70 | ±0.80 | ±0.90 | 0.2 | 0.3 | 0.3 | 0.3 | 0.2 | 0.3 | 0.5 | |

| ITEM | NAME OF PART | NO. OF PART | Q'TY | MATERIAL | | | NOTE | |
|------|--------------|-------------|---|----------------------|-------|----|----------|-------|
| DWG. | | DATE | SIZE | A4 | UNITS | mm | SHEET/OF | 1 / 1 |
| CHK. | | DATE | SCALE | | | | | |
| APP. | | DATE |  | NAME DRB-XXMA | | | | |
| | | | | DWGNO. | | | | |

