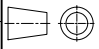


Material:
Housing: PBT+30% Glass filled, UL 94V-0
Contacts: Brass,
Gold Plating on Contact Area,
Tin on Solder Tail.
Shell: Steel,
Front Shell Nickel Plating,
Back Shell Tin Plating

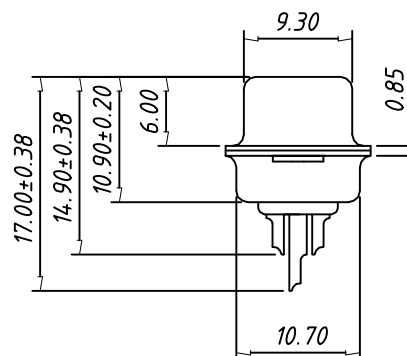
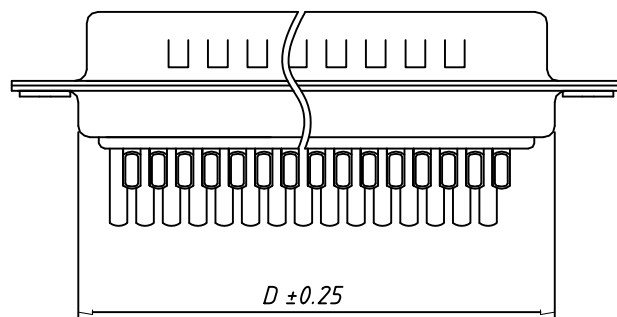
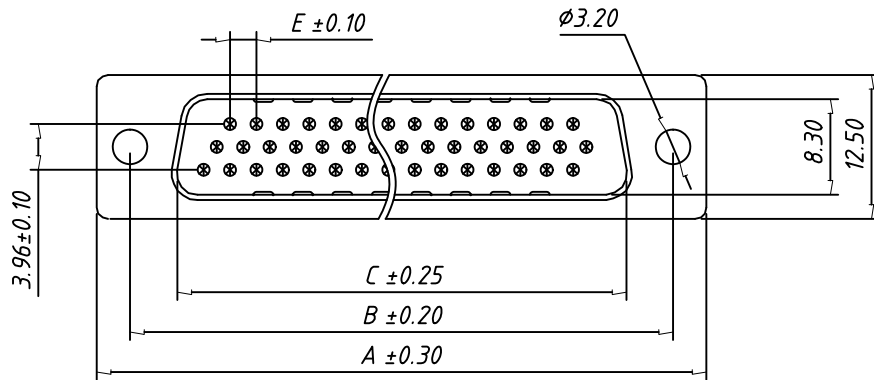
Electrical Characteristics:
Current Rating: 5 AMP
Insulator Resistance: 1000MΩ Min. at DC 500V
Withstanding Voltage: 500V AC (rms) for 1 minute
Contact Resistance: 20mΩ Max. Initial
Operating Temperature: -55°C ~ +105°C

Number of Contacts	DIMENSION				
	A±0.30	B±0.20	C±0.25	D±0.25	E±0.10
15	30.80	25.00	16.30	19.30	2.29
26	39.20	33.30	24.60	27.60	2.29
44	53.10	47.04	38.30	41.10	2.29
62	69.34	63.50	54.80	57.30	2.41

Total Pitch Tolerances in mm										Nominal dimension range in mm										⊥	≡	-	//		
over 0	over 30	over 53	over 70	over 90	over 115	over 150	over 250	over 350	over 500	over 0	over 30	over 53	over 70	over 90	over 115	over 150	over 200	over 250	over 320	over 0	over 10	all	over 0	over 100	over 150
±0.18	±0.20	±0.25	±0.3	±0.35	±0.44	±0.60	±0.70	±0.85	±0.20	±0.25	±0.30	±0.35	±0.44	±0.55	±0.70	±0.80	±0.90	0.2	0.3	0.3	0.2	0.3	0.5		

ITEM	NAME OF PART	NO. OF PART	Q'TY	MATERIAL			NOTE		
DWG.		DATE	SIZE	A4	UNITS	mm	SHEET/OF	1 / 1	
CHK.		DATE	SCALE						
APP.		DATE		DHS-XXF					
									NAME
				DWGNO.					





Material:
 Housing: PBT+30% Glass filled ,UL 94 V-0
 Contacts: Brass ,
 Gold Plating on Contact Area,
 Tin on Solder Tail.
 Shell: Steel,
 Front Shell Nickel Plating,
 Back Shell Tin Plating

Electrical Characteristics:
 Current Rating: 5 AMP
 Insulator Resistance: 1000M Ω Min. at DC 500V
 Withstanding Voltage: 500V AC (rms) for 1 minute
 Contact Resistance: 20m Ω Max. Initial
 Operating Temperature: -55 $^{\circ}$ C ~ +105 $^{\circ}$ C

Number of Contacts	DIMENSION				
	A ± 0.30	B ± 0.20	C ± 0.25	D ± 0.25	E ± 0.10
15	30.80	25.00	16.90	19.30	2.29
26	39.20	33.30	25.25	27.60	2.29
44	53.10	47.04	38.96	41.10	2.29
62	69.34	63.50	55.40	57.30	2.41

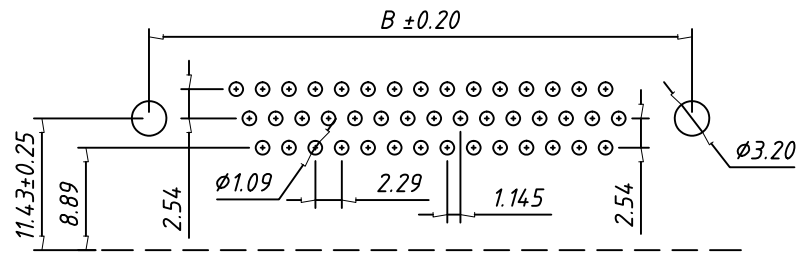
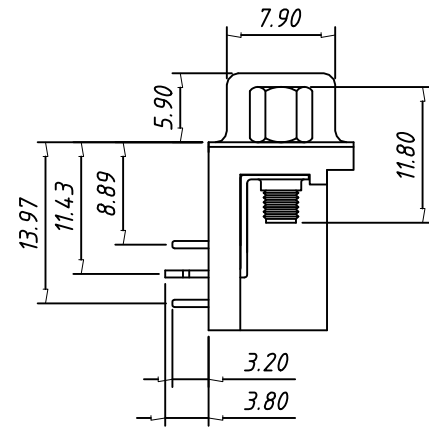
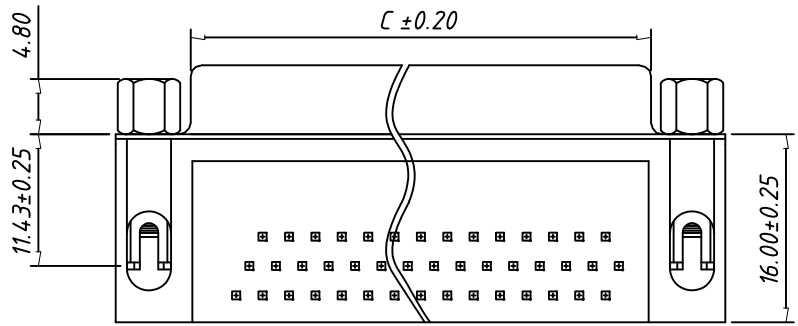
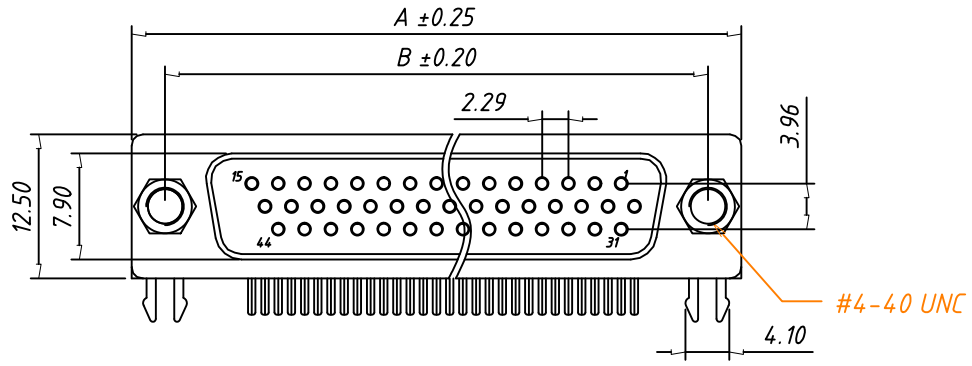
Total Pitch Tolerances in mm										Nominal dimension range in mm										Tolerances			
over	over	over	over	over	over	over	over	over	over	over	over	over	over	over	over	over	over	over	over	over	0	10	all
0	30	53	70	90	115	150	250	350	500	0	30	53	70	90	115	150	200	250	320	0	100	150	
to	to	to	to	to	to	to	to	to	to	to	to	to	to	to	to	to	to	to	to	to	to	to	
30	53	70	90	115	150	250	350	500	500	30	53	70	90	115	150	200	250	320	320	100	150	150	
±0.18	±0.20	±0.25	±0.3	±0.35	±0.44	±0.60	±0.70	±0.85	±0.20	±0.25	±0.30	±0.35	±0.44	±0.55	±0.70	±0.80	±0.90	±0.90	±0.90	0.2	0.3	0.3	

ITEM	NAME OF PART	NO. OF PART	Q'TY	MATERIAL	NOTE
DWG.		DATE	SIZE	A4 UNITS mm	SHEET/OF 1 / 1
CHK.		DATE	SCALE		
APP.		DATE			
				DHS-XXM	
				NAME	
				DWGNO.	



Material:
 Housing: PBT+30% Glass filled, UL 94V-0
 Contacts: Brass, Gold Plating.
 Shell: Steel, Nickel Plating

Electrical Characteristics:
 Current Rating: 5 AMP
 Insulator Resistance: 1000M Ω Min. at DC 500V
 Withstanding Voltage: 500V AC (rms) for 1 minute
 Contact Resistance: 20m Ω Max. Initial
 Operating Temperature: -55 $^{\circ}$ C ~ +105 $^{\circ}$ C

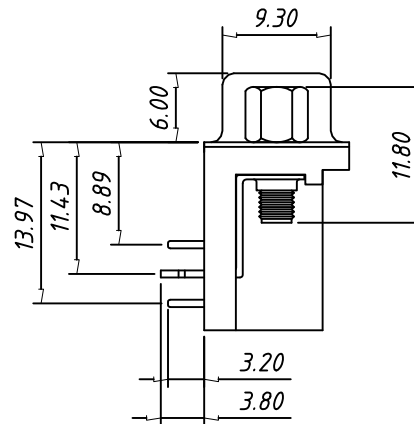
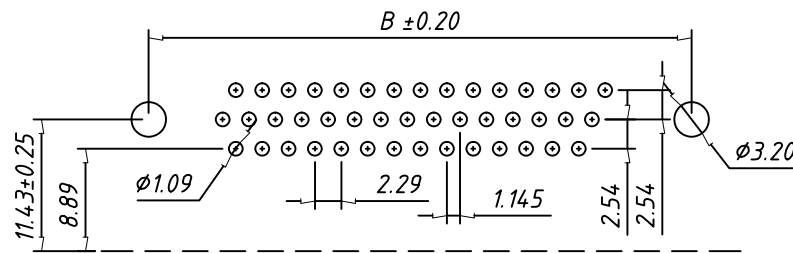
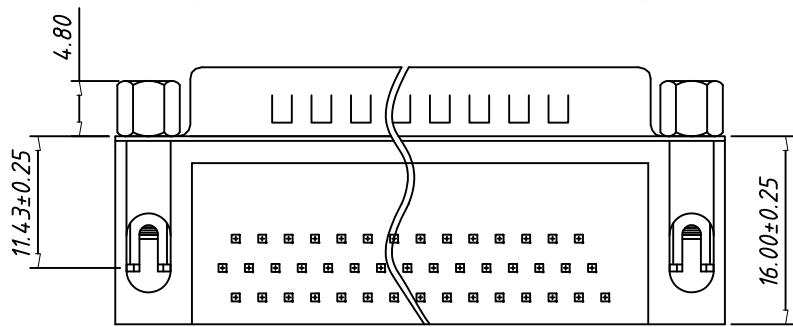
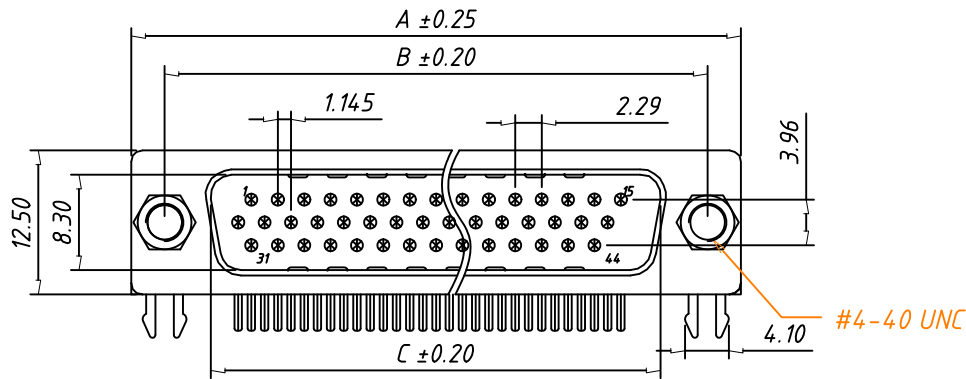


RECOMMENDED PCB LAYOUT
 TOLERANCE: ± 0.05 mm

Total Pitch Tolerances in mm										Nominal dimension range in mm										⊥		≡		-		//	
over 0	over 30	over 53	over 70	over 90	over 115	over 150	over 250	over 350	over 500	over 0	over 30	over 53	over 70	over 90	over 115	over 150	over 200	over 250	over 320	over 0	over 10	all	over 0	over 100	over 100	over 150	
±0.18	±0.20	±0.25	±0.3	±0.35	±0.44	±0.60	±0.70	±0.85	±1.00	±0.20	±0.25	±0.30	±0.35	±0.44	±0.55	±0.70	±0.80	±0.90	±1.00	0.2	0.3	0.3	0.2	0.3	0.3	0.5	

ITEM	NAME OF PART	NO. OF PART	Q'TY	MATERIAL	NOTE
DWG.		DATE	SIZE	A4 UNITS mm	SHEET/OF 1 / 1
CHK.		DATE	SCALE		
APP.		DATE			
				DHR-XXF	
				NAME	
				DWGNO.	





RECOMMENDED PCB LAYOUT
TOLERANCE: $\pm 0.05\text{mm}$

Material:
Housing: PBT+30% Glass filled ,UL94 V-0
Contacts: Brass ,Gold Plating
Shell: Steel, Nickel Plating

Electrical Characteristics:
Current Rating: 5 AMP
Insulator Resistance: $1000M\Omega$ Min. at DC 500V
Withstanding Voltage: 500V AC (rms) for 1 minute
Contact Resistance: $20m\Omega$ Max. Initial
Operating Temperature: $-55^{\circ}\text{C} \sim +105^{\circ}\text{C}$

ITEM	NAME OF PART	NO. OF PART	Q'TY	MATERIAL	NOTE
DWG.	DATE		SIZE	A4 UNITS mm	SHEET/OF 1 / 1
CHK.	DATE		SCALE		
APP.	DATE				
				NAME	DHR-XXM
				DWGNO.	



Total Pitch Tolerances in mm									Nominal dimension range in mm									⊥		≡		-		//	
over 0	over 30	over 53	over 70	over 90	over 115	over 150	over 250	over 350	over 0	over 30	over 53	over 70	over 90	over 115	over 150	over 200	over 250	over 320	over 0	over 10	all	over 0	over 100	over 150	
to 30	to 53	to 70	to 90	to 115	to 150	to 250	to 350	to 500	to 30	to 53	to 70	to 90	to 115	to 150	to 200	to 250	to 320	to 10			to 100	to 150			
± 0.18	± 0.20	± 0.25	± 0.3	± 0.35	± 0.44	± 0.60	± 0.70	± 0.85	± 0.20	± 0.25	± 0.30	± 0.35	± 0.44	± 0.55	± 0.70	± 0.80	± 0.90	0.2	0.3	0.3	0.2	0.3	0.5		