

Material:

Housing: PBT+30% Glass filled ,UL94V-0

Contacts: Brass ,

Gold Plating on Contact Arer,

Tin on Solder Tail.

Shell: Steel,

Front Shell Nickel Plating,

Back Shell Tin Plating

Electrical Characteristics:

Current Rating: 5 AMP

Insulator Resistance: 1000MΩ Min. at DC 500V

Withstanding Voltage: 500V AC (rms) for 1 minute

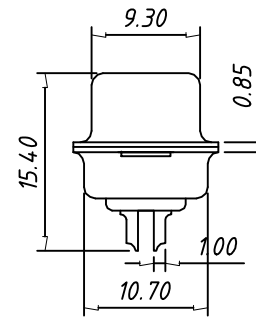
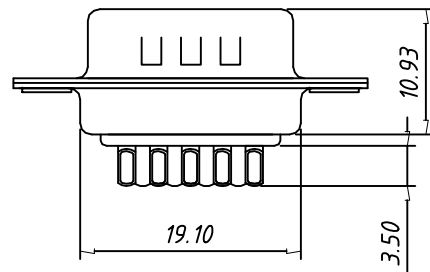
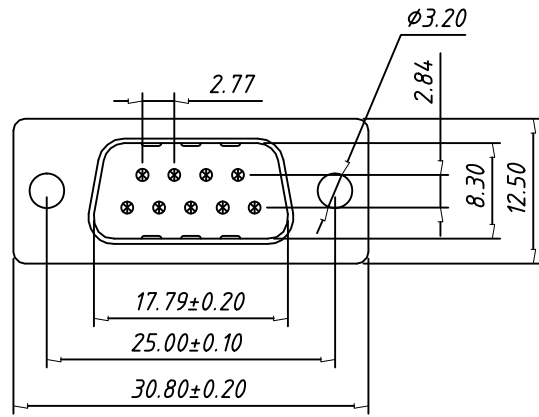
Contact Resistance: 20mΩ Max. Initial

Operating Temperature: -55°C ~ +105°C

Total Pitch Tolerances in mm										Nominal dimension range in mm										⊥	≡	—	//		
over 0	over 30	over 53	over 70	over 90	over 115	over 150	over 250	over 350	over 500	over 0	over 30	over 53	over 70	over 90	over 115	over 150	over 200	over 250	over 320	over 0	over 10	all	over 0	over 100	over 150
to 30	to 53	to 70	to 90	to 115	to 150	to 250	to 350	to 500		to 30	to 53	to 70	to 90	to 115	to 150	to 200	to 250	to 320		to 10			to 100	to 150	
±0.18	±0.20	±0.25	±0.3	±0.35	±0.44	±0.60	±0.70	±0.85	±0.20	±0.25	±0.30	±0.35	±0.44	±0.55	±0.70	±0.80	±0.90	0.2	0.3	0.3	0.2	0.3	0.5		

ITEM	NAME OF PART	NO. OF PART	Q"TY	MATERIAL			NOTE	
DWG.		DATE	SIZE	A4	UNITS	mm	SHEET/OF	1 / 1
CHK.		DATE	SCALE					
APP.		DATE						
				NAME	DB-9F			
				DWGNO.				





Material:

Housing: PBT+30% Glass filled, UL94V-0

Contacts: Brass,

Gold Plating on Contact Area,

Tin on Solder Tail.

Shell: Steel,

Front Shell Nickel Plating,

Back Shell Tin Plating

Electrical Characteristics:

Current Rating: 5 AMP

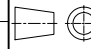
Insulator Resistance: 1000M Ω Min. at DC 500V

Withstanding Voltage: 500V AC (rms) for 1 minute

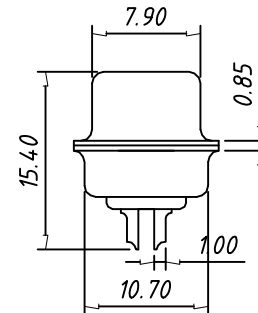
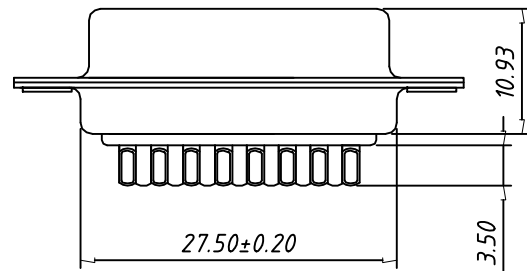
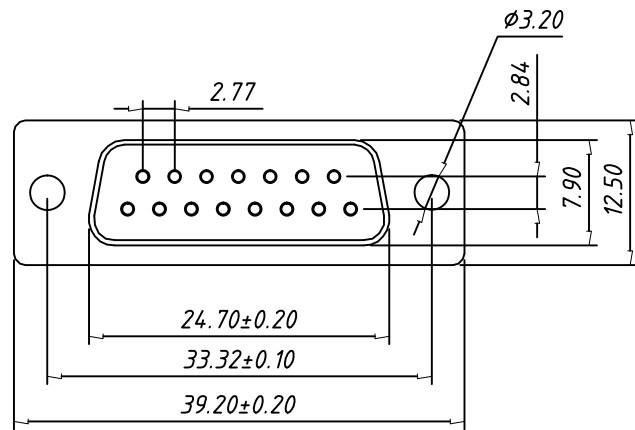
Contact Resistance: 20m Ω Max. Initial

Operating Temperature: -55°C ~ +105°C

Total Pitch Tolerances in mm										Nominal dimension range in mm										⊥	≡	—	//		
over 0	over 30	over 53	over 70	over 90	over 115	over 150	over 250	over 350	over 500	over 0	over 30	over 53	over 70	over 90	over 115	over 150	over 200	over 250	over 320	over 0	over 10	all	over 0	over 100	over 150
±0.18	±0.20	±0.25	±0.3	±0.35	±0.44	±0.60	±0.70	±0.85	±0.20	±0.25	±0.30	±0.35	±0.44	±0.55	±0.70	±0.80	±0.90	0.2	0.3	0.3	0.2	0.3	0.5		

ITEM	NAME OF PART	NO. OF PART	Q'TY	MATERIAL			NOTE		
DWG.		DATE	SIZE	A4	UNITS	mm	SHEET/OF	1 / 1	
CHK.		DATE	SCALE						
APP.		DATE		DB-9M					
									NAME
				DWGNO.					





Material:

Housing: PBT+30% Glass filled ,UL94 V-0

Contacts: Brass ,

Gold Plating on Contact Area,

Tin on Solder Tail.

Shell: Steel,

Front Shell Nickel Plating,

Back Shell Tin Plating

Electrical Characteristics:

Current Rating: 5 AMP

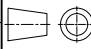
Insulator Resistance: 1000MΩ Min. at DC 500V

Withstanding Voltage: 500V AC (rms) for 1 minute

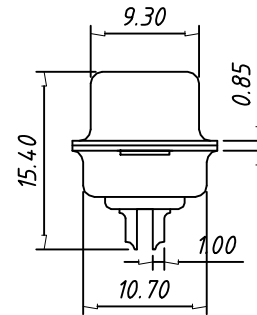
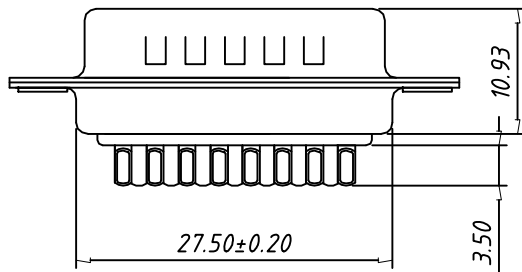
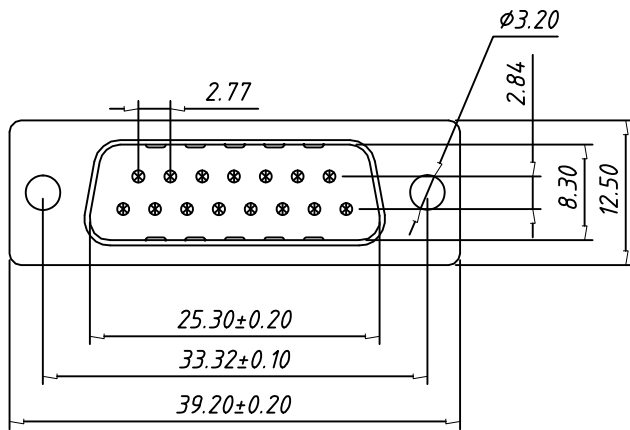
Contact Resistance: 20mΩ Max. Initial

Operating Temperature: -55°C ~ +105°C

Total Pitch Tolerances in mm										Nominal dimension range in mm										⊥	≡	-	//		
over 0	over 30	over 53	over 70	over 90	over 115	over 150	over 250	over 350	over 500	over 0	over 30	over 53	over 70	over 90	over 115	over 150	over 200	over 250	over 320	over 0	over 10	all	over 0	over 100	over 150
±0.18	±0.20	±0.25	±0.3	±0.35	±0.44	±0.60	±0.70	±0.85	±0.20	±0.25	±0.30	±0.35	±0.44	±0.55	±0.70	±0.80	±0.90	0.2	0.3	0.3	0.2	0.3	0.5		

ITEM	NAME OF PART	NO. OF PART	Q'TY	MATERIAL			NOTE		
DWG.		DATE	SIZE	A4	UNITS	mm	SHEET/OF	1 / 1	
CHK.		DATE	SCALE						
APP.		DATE		DB-15F					
									NAME
				DWGNO.					





Material:

Housing: PBT+30% Glass filled ,UL94V-0

Contacts: Brass ,

Gold Plating on Contact Arer,

Tin on Solder Tail.

Shell: Steel,

Front Shell Nickel Plating,

Back Shell Tin Plating

Electrical Characteristics:

Current Rating: 5 AMP


Insulator Resistance: 1000M Ω Min. at DC 500V

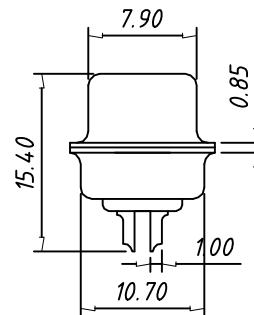
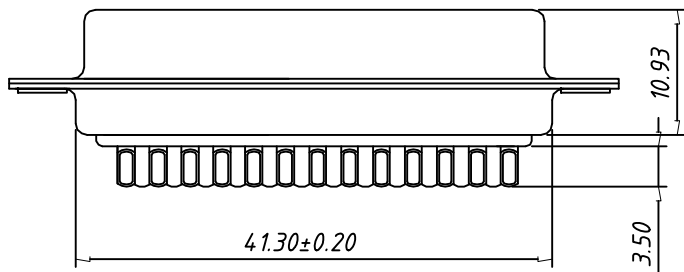
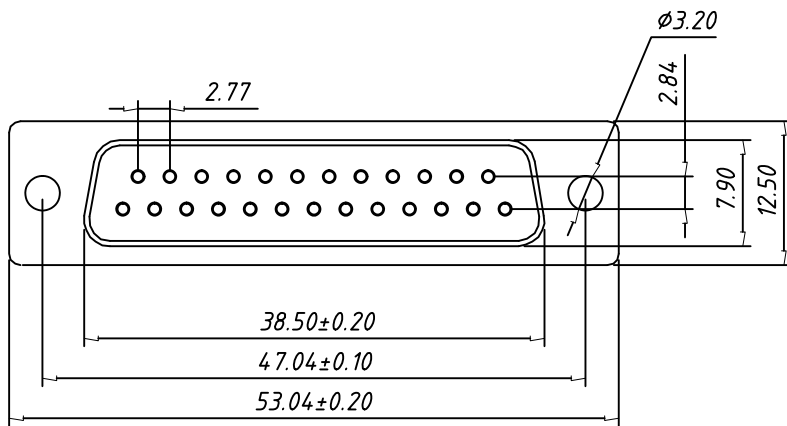
Withstanding Voltage: 500V AC (rms) for 1 minute

Contact Resistance: 20m Ω Max. Initial

Operating Temperature: -55°C ~ +105°C

Total Pitch Tolerances in mm										Nominal dimension range in mm										⊥	≡	—	//		
over 0	over 30	over 53	over 70	over 90	over 115	over 150	over 250	over 350	over 500	over 0	over 30	over 53	over 70	over 90	over 115	over 150	over 200	over 250	over 320	over 0	over 10	all	over 0	over 100	over 150
±0.18	±0.20	±0.25	±0.3	±0.35	±0.44	±0.60	±0.70	±0.85	±0.20	±0.25	±0.30	±0.35	±0.44	±0.55	±0.70	±0.80	±0.90	0.2	0.3	0.3	0.2	0.3	0.5		

ITEM	NAME OF PART	NO. OF PART	Q'TY	MATERIAL			NOTE		
DWG.		DATE	SIZE	A4	UNITS	mm	SHEET/OF	1 / 1	
CHK.		DATE	SCALE						
APP.		DATE		 KEEN SIDE					
									NAME
				DWGNO.					



Material:

Housing: PBT+30% Glass filled ,UL94V-0

Contacts: Brass ,

Gold Plating on Contact Area,

Tin on Solder Tail.

Shell: Steel,

Front Shell Nickel Plating,

Back Shell Tin Plating

Electrical Characteristics:

Current Rating: 5 AMP


Insulator Resistance: 1000MΩ Min. at DC 500V

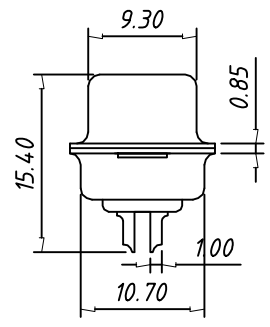
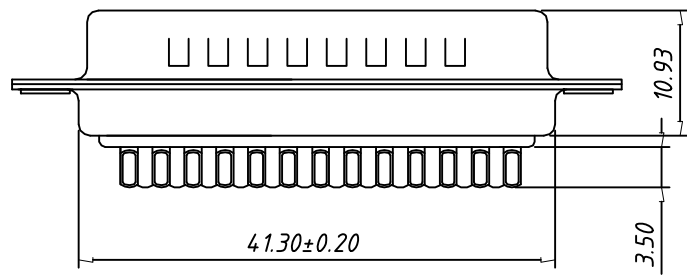
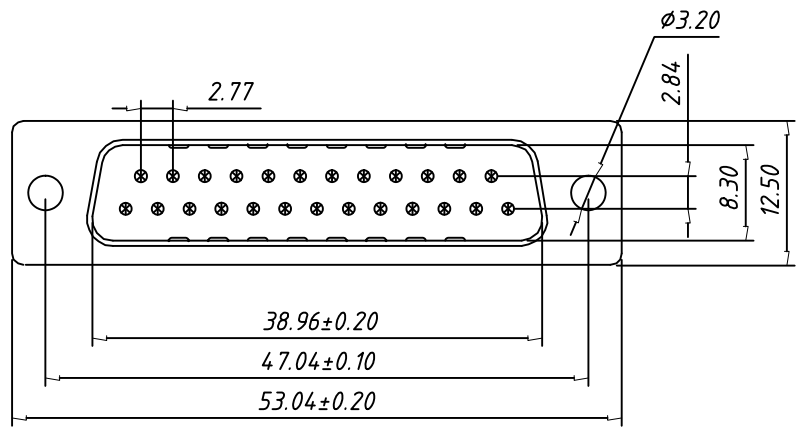
Withstanding Voltage: 500V AC (rms) for 1 minute

Contact Resistance: 20mΩ Max. Initial

Operating Temperature: -55°C ~ +105°C

Total Pitch Tolerances in mm										Nominal dimension range in mm										⊥	≡	—	//		
over 0	over 30	over 53	over 70	over 90	over 115	over 150	over 250	over 350	over 500	over 0	over 30	over 53	over 70	over 90	over 115	over 150	over 200	over 250	over 320	over 0	over 10	all	over 0	over 100	over 150
±0.18	±0.20	±0.25	±0.3	±0.35	±0.44	±0.60	±0.70	±0.85	±0.20	±0.25	±0.30	±0.35	±0.44	±0.55	±0.70	±0.80	±0.90	0.2	0.3	0.3	0.3	0.2	0.3	0.5	

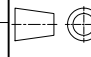
ITEM	NAME OF PART	NO. OF PART	Q'TY	MATERIAL			NOTE		
DWG.		DATE	SIZE	A4	UNITS	mm	SHEET/OF	1 / 1	
CHK.		DATE	SCALE						
APP.		DATE		 KEEN SIDE					
									NAME
				DWGNO.					



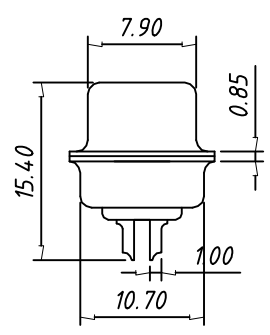
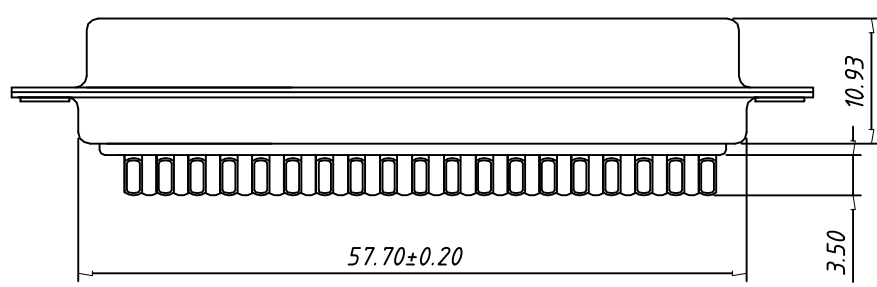
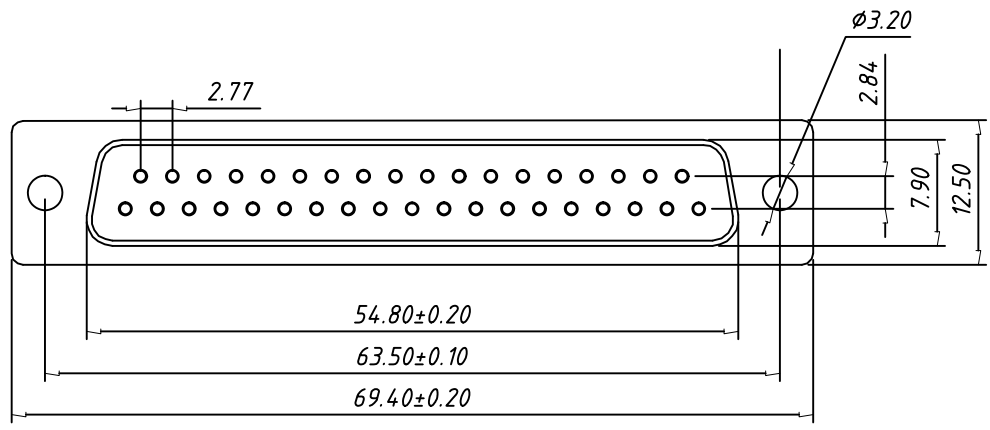
Material:
 Housing: PBT+30% Glass filled, UL 94 V-0
 Contacts: Brass,
 Gold Plating on Contact Area,
 Tin on Solder Tail.
 Shell: Steel,
 Front Shell Nickel Plating,
 Back Shell Tin Plating

Electrical Characteristics:
 Current Rating: 5 AMP
 Insulator Resistance: 1000M Ω Min. at DC 500V
 Withstanding Voltage: 500V AC (rms) for 1 minute
 Contact Resistance: 20m Ω Max. Initial
 Operating Temperature: -55 $^{\circ}$ C ~ +105 $^{\circ}$ C

Total Pitch Tolerances in mm										Nominal dimension range in mm										⊥		≡		—		//	
over 0 to 30	over 30 to 53	over 53 to 70	over 70 to 90	over 90 to 115	over 115 to 150	over 150 to 250	over 250 to 350	over 350 to 500	over 0 to 30	over 30 to 53	over 53 to 70	over 70 to 90	over 90 to 115	over 115 to 150	over 150 to 200	over 200 to 250	over 250 to 320	over 0 to 10	over 10 to 100	over 100 to 150	over 150 to 150	0.2	0.3	0.3	0.2	0.3	0.5
±0.18	±0.20	±0.25	±0.3	±0.35	±0.44	±0.60	±0.70	±0.85	±0.20	±0.25	±0.30	±0.35	±0.44	±0.55	±0.70	±0.80	±0.90	0.2	0.3	0.3	0.2	0.3	0.3	0.2	0.3	0.5	

ITEM	NAME OF PART	NO. OF PART	Q'TY	MATERIAL	NOTE
DWG.		DATE	SIZE	A4 UNITS mm	SHEET/OF 1 / 1
CHK.		DATE	SCALE		
APP.		DATE		DB-25M	
			DWGNO.		

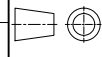




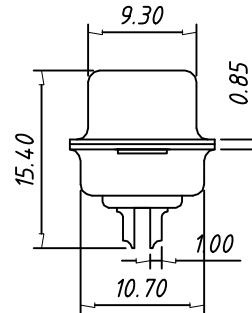
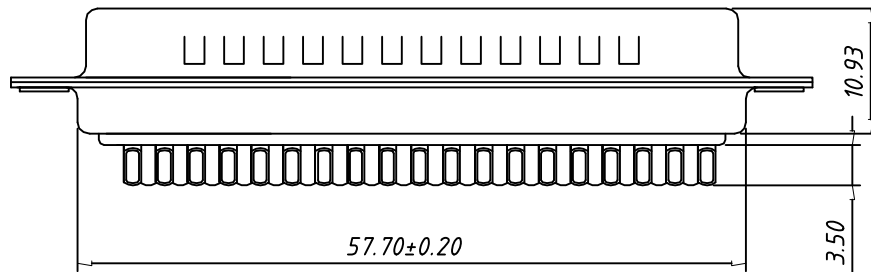
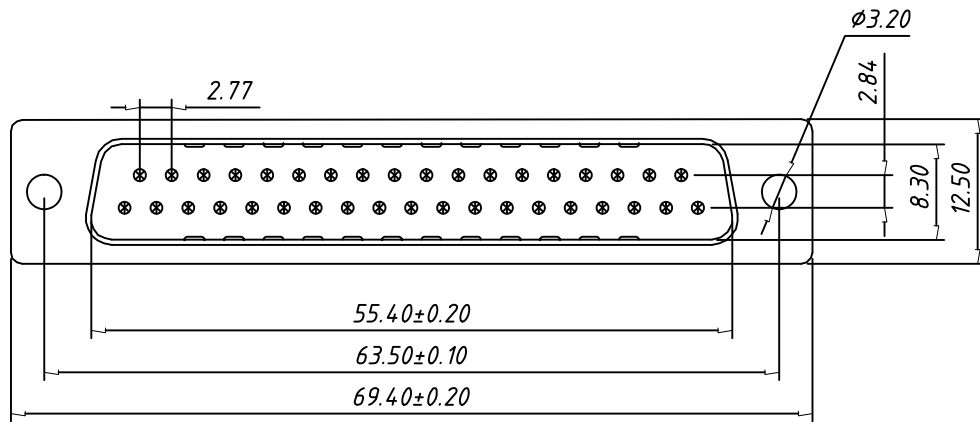
Material:
 Housing: PBT+30% Glass filled ,UL94V-0
 Contacts: Brass ,
 Gold Plating on Contact Arer,
 Tin on Solder Tail.
 Shell: Steel,
 Front Shell Nickel Plating,
 Back Shell Tin Plating

Electrical Characteristics:
 Current Rating: 5 AMP
 Insulator Resistance: 1000M Ω Min. at DC 500V
 Withstanding Voltage: 500V AC (rms) for 1 minute
 Contact Resistance: 20m Ω Max. Initial
 Operating Temperature: -55°C ~ +105°C

Total Pitch Tolerances in mm										Nominal dimension range in mm										⊥	≡	—	//		
over 0	over 30	over 53	over 70	over 90	over 115	over 150	over 250	over 350	over 500	over 0	over 30	over 53	over 70	over 90	over 115	over 150	over 200	over 250	over 320	over 0	over 10	all	over 0	over 100	over 150
to 30	to 53	to 70	to 90	to 115	to 150	to 250	to 350	to 500		to 30	to 53	to 70	to 90	to 115	to 150	to 200	to 250	to 320		to 10			to 100	to 150	
+0.18	±0.20	±0.25	±0.3	±0.35	±0.44	±0.60	±0.70	±0.85	±0.20	±0.25	±0.30	±0.35	±0.44	±0.55	±0.70	±0.80	±0.90	0.2	0.3	0.3	0.2	0.3	0.5		

ITEM	NAME OF PART	NO. OF PART	Q'TY	MATERIAL			NOTE		
DWG.		DATE	SIZE	A4	UNITS	mm	SHEET/OF	1 / 1	
CHK.		DATE	SCALE						
APP.		DATE		DB-37F					
									NAME
				DWGNO.					

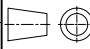





Material:
 Housing: PBT+30% Glass filled, UL94V-0
 Contacts: Brass,
 Gold Plating on Contact Area,
 Tin on Solder Tail.
 Shell: Steel,
 Front Shell Nickel Plating,
 Back Shell Tin Plating

Electrical Characteristics:
 Current Rating: 5 AMP
 Insulator Resistance: 1000M Ω Min. at DC 500V
 Withstanding Voltage: 500V AC (rms) for 1 minute
 Contact Resistance: 20m Ω Max. Initial
 Operating Temperature: -55°C ~ +105°C

Total Pitch Tolerances in mm										Nominal dimension range in mm										⊥	≡	—	//		
over 0	over 30	over 53	over 70	over 90	over 115	over 150	over 250	over 350	over 500	over 0	over 30	over 53	over 70	over 90	over 115	over 150	over 200	over 250	over 320	over 0	over 10	all	over 0	over 100	over 150
to 30	to 53	to 70	to 90	to 115	to 150	to 250	to 350	to 500		to 30	to 53	to 70	to 90	to 115	to 150	to 200	to 250	to 320		to 10			to 100	to 150	
±0.18	±0.20	±0.25	±0.3	±0.35	±0.44	±0.60	±0.70	±0.85	±0.20	±0.25	±0.30	±0.35	±0.44	±0.55	±0.70	±0.80	±0.90	0.2	0.3	0.3	0.3	0.2	0.3	0.5	

ITEM	NAME OF PART	NO. OF PART	Q'TY	MATERIAL			NOTE	
DWG.		DATE	SIZE	A4	UNITS	mm	SHEET/OF	1 / 1
CHK.		DATE	SCALE					
APP.		DATE		DB-37M				
								
				DWGNO.				