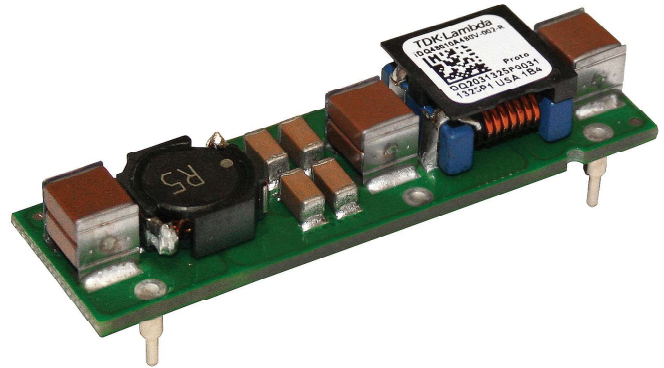


## 10A, 75VDC EMI Filters

### Features

- ◆ Exceptional Differential Mode Performance
- ◆ Very Compact Size
- ◆ Minimal External Components Required\*



### Key Market Segments & Applications



### Specifications

Model		iDQ48010A480V
Rated Voltage	VDC	75VDC (100VDC for 100ms)
Rated Current	A	10A
Withstand Voltage	VDC	Terminals to Ground: 1500VDC
Leakage Current	mA	Not Applicable
DC Resistance	mΩ	Positive leg: 11.5, Negative leg: 6.5
Operating Temperature (1)	°C	-40 to +120 (see derating curve and measurement point)
Storage Temperature	°C	-55 to +125
Safety Agency Certification	-	TBA
Size (LxWxH)	mm	50 x 15 x 10.8mm
Weight (Typ)	g	11.3
Warranty	yrs	3

Notes:

- 1) See full specification on website

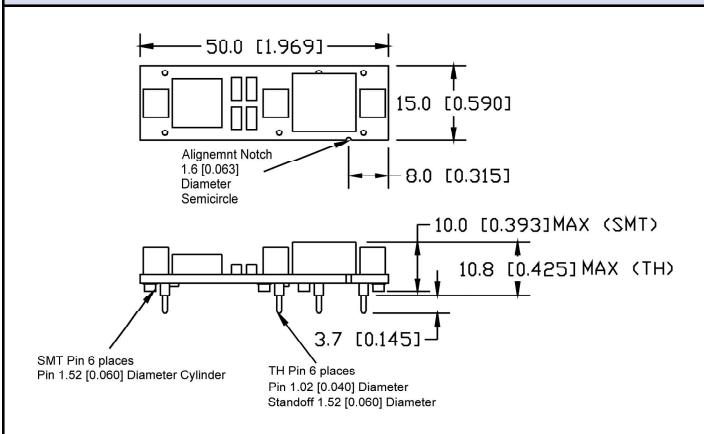
## Model Selector

Model	Surface Mount	Through Hole Mount Pins	Pin 6 Populated*
iDQ48010A480V-001-R (2)	X		X
iDQ48010A480V-002-R		0.145"	
iDQ48010A480V-003-R (2)		0.145"	X

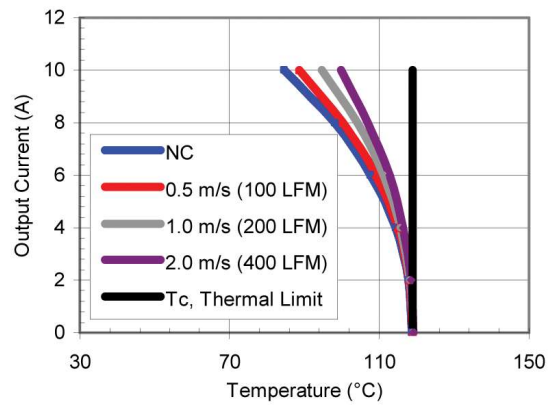
2) Contact factory for status

\* Additional capacitance can be placed between pin 3 and pin 6, and also between pin 4 and pin 3 to increase the common mode noise attenuation.

## Outline Drawing

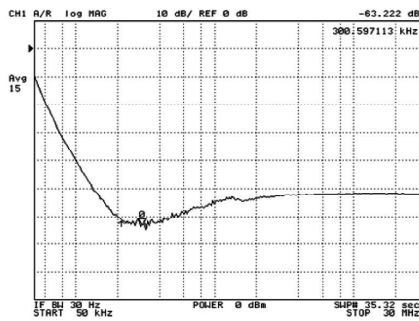


## Derating

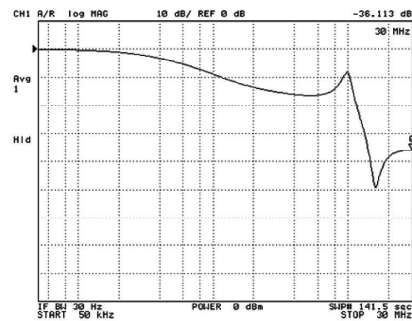


## Attenuation Characteristics

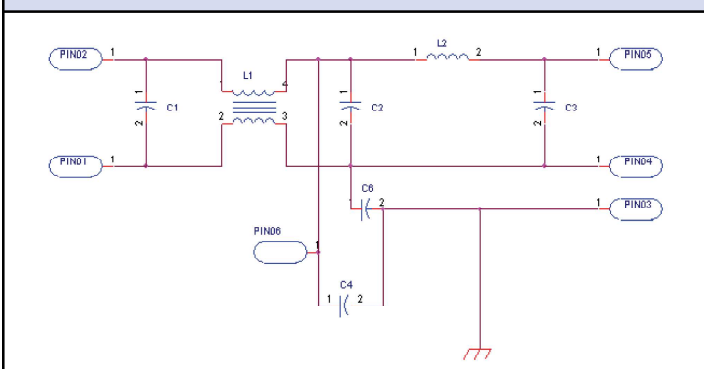
Typical Differential Mode Attenuation



Typical Common Mode Attenuation



## Circuit



For Additional Information, please visit <https://product.tdk.com/info/en/products/power/index.html>



# Mouser Electronics

Authorized Distributor

Click to View Pricing, Inventory, Delivery & Lifecycle Information:

[TDK-Lambda:](#)

[IDQ48010A480V-002-R](#)