

TERMINAL BLOCK Connector

Screwless Series

KLS2-208A-800 Series

Electrical :

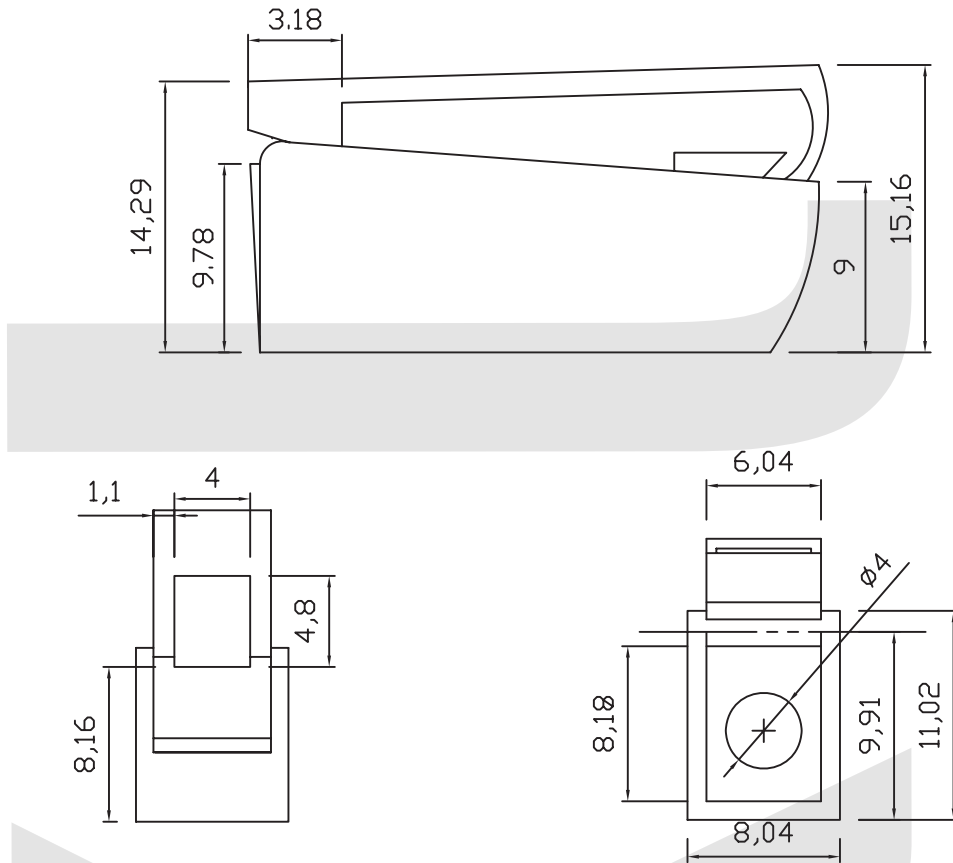
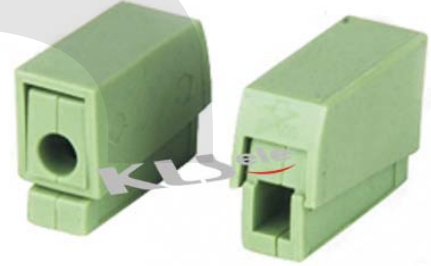
Rated voltage: 400V
Rated current: 24A
Contact resistance: 20mΩ
Insulation resistance: 5000MΩ/1000V
Withstanding Voltage: AC2500V/1Min
Wire range: 28-12AWG 2.5MM²

Material

Housing: PA66, UL94V-0
Pin header: Copper, Tin plated

Mechanical

Temp. Range: -40°C~+105°C
Strip length: 9-11mm



ORDER INFORMATION

Product NO.: KLS2-208A-800

Pos. NO. _____
Series No. _____