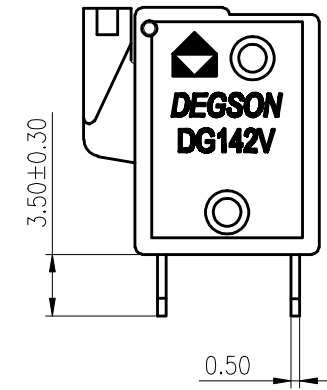
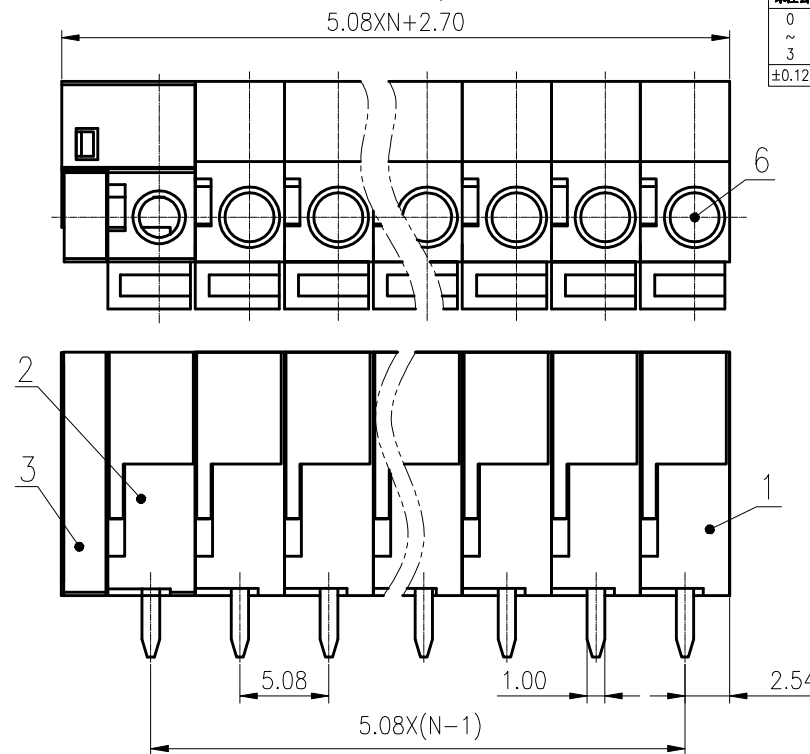
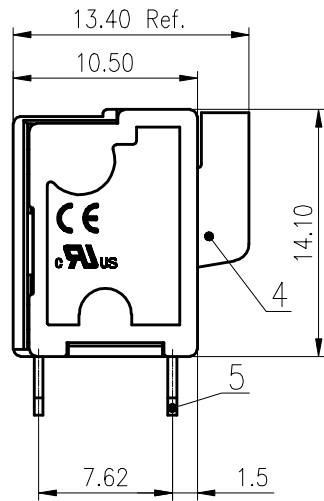


未注公差/General tolerances(mm)												D 0.1/10		
0 ~3	>3 ~6	>6 ~10	>10 ~18	>18 ~30	>30 ~50	>50 ~80	>80 ~120	>120 ~180	>180 ~250	>250 ~315	>315 ~400		>400 ~500	>500 ~2.50
±0.12	±0.18	±0.22	±0.26	±0.31	±0.37	±0.57	±0.80	±0.93	±1.05	±1.15	±1.60	±2.20	±2.50	±2'

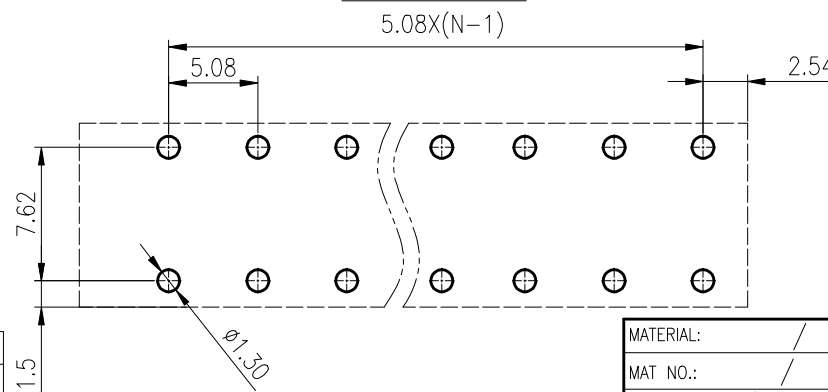
A



B

C

PCB LAYOUT



UL 标准/UL Standard:	B	C	D
额定电压/电流/Rated Voltage(V)/Current(A)	300/10	300/10	300/10
IEC 标准/IEC Standard:			
过压类别/Overvoltage Category/污染等级/Pollution Degree	Ⅲ/3	Ⅲ/2	Ⅱ/2
额定电压/电流/Rated Voltage(V)/Current(A)	320/15	320/15	630/12
额定脉冲电压(kV)/Rate Impulse Voltage(kV)	4	4	4
线径范围(硬线和软线)/Wire Range(rigid and flexible)(mm <sup>2</sup> /AWG)	0.2~1.5/22~16		
间距/Pitch(mm)/线数范围/Poles	5.08/N=01~24P		
剥线长度/Stripping length(mm)	10		
使用温度范围/Operating temperature(°C)	-40~+105		
符合RoHS环保要求/Conform to RoHS	Yes		
标准颜色编号/Standard color number: PANTONE / RAL	/		

D

ITEM	NAME OF PART	MATERIAL	NOTES
6	Spring	Stainless steel	/
5	Pin header	Copper alloy	Sn Plated
4	Button	PA66	UL94V-0
3	Cover	PA66	UL94V-0
2	Housing2	PA66	UL94V-0
1	Housing1	PA66	UL94V-0

MATERIAL: /	SURFACE: /		
MAT NO.: /	<b>宁波高松电子有限公司</b> <b>NINGBO DEGSON ELECTRICAL CO., LTD</b>		
STATUS: /			
APPD: LiGL 2020.05.22	NAME: <b>DG142V-5.08-XXP-1Y-1000A(H)</b>		
CHKD: Mek 2020.05.22	DRAWING NO.: DG142V-5.08-C37		
DRFT: WWF 2014.10.31	REV	T2	
④ SIZE: A4	TYPE: CUSTOMER DRAWING	SCALE: 2.5:1	SHEET 1/1

REV	ECN	DESCRIPTION	DRFT	DATE