

Inductors

For General Applications

Radial

EL Series EL0305 Type

FEATURES

- The EL series inductors are available in ranging from 0304 to 0909 types.
- With a miniature winding construction, these inductors nonetheless achieve high Q characteristics.
- Available in tape packaging to support automated mounting machines.

APPLICATIONS

Televisions, VCRs, personal computers, and other electronic equipment.

SPECIFICATIONS

Operating temperature range	-20 to +80°C [Including self-temperature rise]
Storage temperature range	-40 to +80°C [Unit of products]
Terminal tensile strength	7.84N min.

PRODUCT IDENTIFICATION

<u>EL</u>	<u>0305</u>	<u>RA-</u>	<u>1R0</u>	<u>K</u>	<u>-3</u>
(1)	(2)	(3)	(4)	(5)	(6)

(1) Series name

(2) Dimensions

0305	5×3.8×5mm (lead pitch 5mm)
------	----------------------------

(3) Packaging style

RA	Ammo-pack
----	-----------

(4) Inductance value

R22	0.22μH
1R0	1μH

(5) Inductance tolerance

J	±5%
K	±10%

(6) TDK internal code

(Some products may not have this number. See the main body for details.)

PACKAGING STYLE AND QUANTITIES

Packaging style	Quantity
Ammo-pack	3000 pieces

Inductors

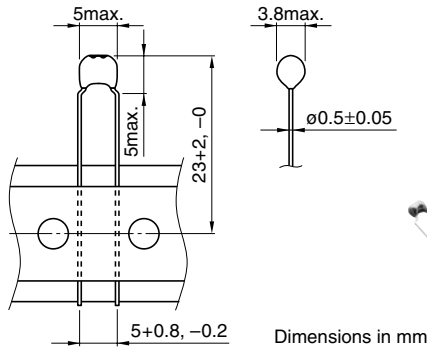
For General Applications

Radial

EL Series EL0305 Type

AMMO-PACK TAPING STYLE

SHAPES AND DIMENSIONS



CHARACTERISTICS

Operating temperature range	-20 to +80°C [Including self-temperature rise, 20°Cmax.]
Withstand voltage Erms	250V
Rated current	Based on the inductance variation [-10% to the initial value]
Terminal tensile strength	7.84N min.
Moisture resistance	$\Delta L/L \leq \pm 5\%$ $\Delta Q/Q \leq \pm 25\%$

ELECTRICAL CHARACTERISTICS

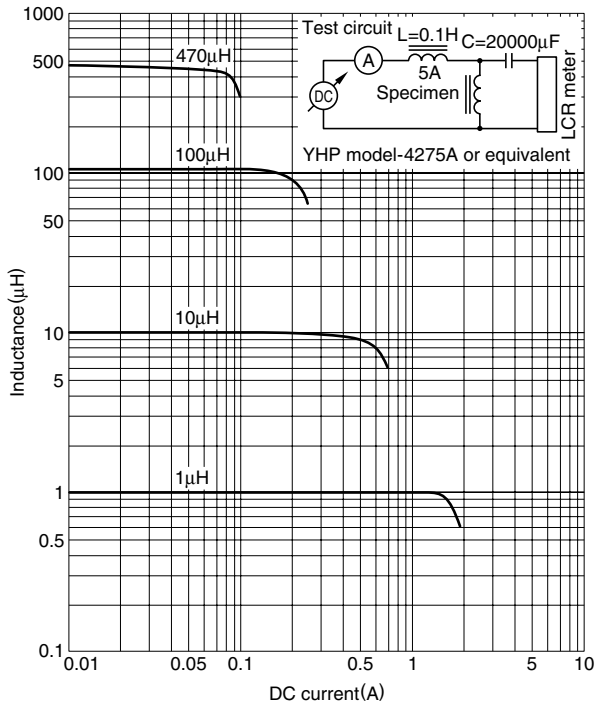
Inductance (μH)	Inductance tolerance	Q min.	Test frequency L, Q(MHz)	Self-resonant frequency (MHz)min.	DC resistance (Ω)max.	Rated current (mA)max	Part No.
0.22	±10%	20	25.2	150	0.08	1400	EL0305RA-R22K
0.33	±10%	20	25.2	150	0.09	1300	EL0305RA-R33K
0.47	±10%	20	25.2	130	0.1	1200	EL0305RA-R47K
0.68	±10%	20	25.2	120	0.12	1100	EL0305RA-R68K
1	±10%	50	7.96	100	0.14	1000	EL0305RA-1R0K
1.5	±10%	50	7.96	70	0.2	800	EL0305RA-1R5K
2.2	±5%	50	7.96	55	0.21	750	EL0305RA-2R2J
3.3	±5%	50	7.96	45	0.24	670	EL0305RA-3R3J
4.7	±5%	50	7.96	35	0.29	560	EL0305RA-4R7J
6.8	±5%	50	7.96	27	0.36	420	EL0305RA-6R8J
10	±5%	15	2.52	20	0.4	400	EL0305RA-100J
15	±5%	15	2.52	17	0.51	320	EL0305RA-150J
22	±5%	15	2.52	13	0.65	300	EL0305RA-220J
33	±5%	15	2.52	10.5	1	240	EL0305RA-330J
47	±5%	15	2.52	9.5	1.4	180	EL0305RA-470J
68	±5%	15	2.52	8.5	1.8	170	EL0305RA-680J
100	±5%	40	0.796	6.8	3	140	EL0305RA-101J
150	±5%	40	0.796	5.7	4.8	120	EL0305RA-151J
220	±5%	40	0.796	4	7.8	90	EL0305RA-221J
330	±5%	40	0.796	3.3	11	80	EL0305RA-331J
470	±5%	40	0.796	2.8	17	60	EL0305RA-471J

Inductors

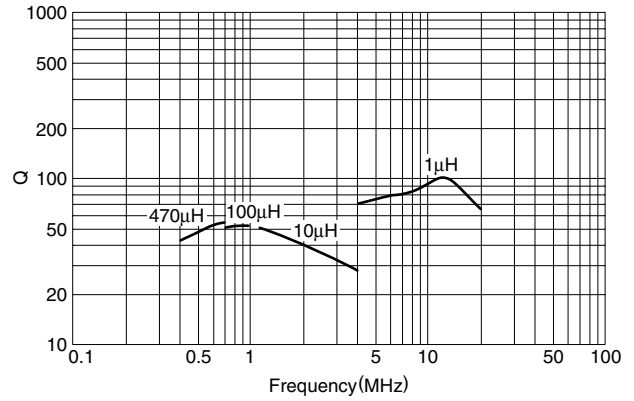
For General Applications
Radial

EL Series EL0305 Type

TYPICAL ELECTRICAL CHARACTERISTICS INDUCTANCE CHANGE vs. DC SUPERPOSITION CHARACTERISTICS



Q vs. FREQUENCY CHARACTERISTICS



Inductors

For General Applications

Radial

EL Series EL0405 Type

FEATURES

- The EL series inductors are available in ranging from 0304 to 0909 types.
- With a miniature winding construction, these inductors nonetheless achieve high Q characteristics.
- Available in tape packaging to support automated mounting machines.

APPLICATIONS

Televisions, VCRs, personal computers, and other electronic equipment.

SPECIFICATIONS

Operating temperature range	-20 to +80°C [Including self-temperature rise]
Storage temperature range	-40 to +80°C [Unit of products]
Terminal tensile strength	7.84N min.

PRODUCT IDENTIFICATION

<u>EL</u>	<u>0405</u>	<u>RA-</u>	<u>1R0</u>	<u>K</u>	<u>-3</u>
(1)	(2)	(3)	(4)	(5)	(6)

(1)Series name

(2)Dimensions

0405	5.4×4.4×7mm (lead pitch 5mm)
------	------------------------------

(3)Packaging style

RA	Ammo-pack
----	-----------

(4)Inductance value

R22	0.22μH
1R0	1μH

(5)Inductance tolerance

J	±5%
K	±10%
M	±20%

(6)TDK internal code

(Some products may not have this number. See the main body for details.)

PACKAGING STYLE AND QUANTITIES

Packaging style	Quantity
Ammo-pack	3000 pieces

Inductors

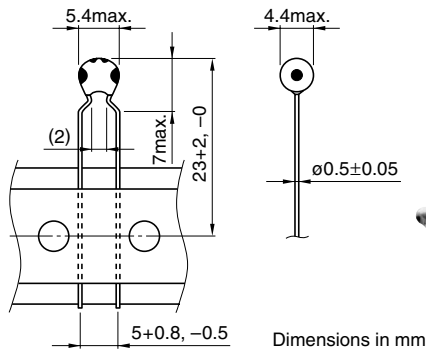
For General Applications

Radial

EL Series EL0405 Type

AMMO-PACK TAPING STYLE

SHAPES AND DIMENSIONS



CHARACTERISTICS

Operating temperature range	-20 to +80°C [Including self-temperature rise 20°C max.]
Withstand voltage Erms	250V
Rated current	Based on inductance change [-10% to the initial value]
Terminal tensile strength	7.84N min.
Moisture resistance	$\Delta L/L \leq \pm 5\%$ $\Delta Q/Q \leq \pm 25\%$

ELECTRICAL CHARACTERISTICS

Inductance (μH)	Inductance tolerance	Q min.	Test frequency L, Q(MHz)	Self-resonant frequency (MHz)min.	DC resistance (Ω)max.	Rated current (mA)max.	Part No.
0.22	±20, ±10%	50	25.2	150	0.15	800	EL0405RA-R22X [*] -3
0.27	±20, ±10%	50	25.2	150	0.15	800	EL0405RA-R27X-3
0.33	±20, ±10%	50	25.2	150	0.15	800	EL0405RA-R33X-3
0.39	±20, ±10%	50	25.2	130	0.15	800	EL0405RA-R39X-3
0.47	±20, ±10%	50	25.2	130	0.15	800	EL0405RA-R47X-3
0.56	±20, ±10%	50	25.2	130	0.2	700	EL0405RA-R56X-3
0.68	±20, ±10%	50	25.2	120	0.2	700	EL0405RA-R68X-3
0.82	±20, ±10%	50	25.2	120	0.2	700	EL0405RA-R82X-3
1	±10, ±5%	50	7.96	85	0.22	674	EL0405RA-1R0X-3
1.2	±10, ±5%	50	7.96	75	0.24	645	EL0405RA-1R2X-3
1.5	±10, ±5%	50	7.96	65	0.27	608	EL0405RA-1R5X-3
1.8	±10, ±5%	50	7.96	55	0.3	577	EL0405RA-1R8X-3
2.2	±10, ±5%	50	7.96	50	0.33	550	EL0405RA-2R2X-3
2.7	±10, ±5%	50	7.96	45	0.37	520	EL0405RA-2R7X-3
3.3	±10, ±5%	50	7.96	40	0.42	488	EL0405RA-3R3X-3
3.9	±10, ±5%	50	7.96	35	0.46	466	EL0405RA-3R9X-3
4.7	±10, ±5%	50	7.96	30	0.53	434	EL0405RA-4R7X-3
5.6	±10, ±5%	50	7.96	27	0.56	422	EL0405RA-5R6X-3
6.8	±10, ±5%	50	7.96	25	0.63	398	EL0405RA-6R8X-3
8.2	±10, ±5%	50	7.96	22	0.7	378	EL0405RA-8R2X-3
10	±10, ±5%	50	2.52	20	0.8	353	EL0405RA-100X-3
12	±10, ±5%	50	2.52	18	0.87	339	EL0405RA-120X-3
15	±10, ±5%	50	2.52	15	1	316	EL0405RA-150X-3
18	±10, ±5%	50	2.52	12	1.11	301	EL0405RA-180X-3
22	±10, ±5%	40	2.52	11	1.35	272	EL0405RA-220X-3
27	±10, ±5%	40	2.52	10	1.55	254	EL0405RA-270X-3
33	±10, ±5%	40	2.52	9.5	1.75	239	EL0405RA-330X-3
39	±10, ±5%	40	2.52	9	2	223	EL0405RA-390X-3
47	±10, ±5%	40	2.52	8.5	2.2	213	EL0405RA-470X-3
56	±10, ±5%	40	2.52	8	2.4	204	EL0405RA-560X-3
68	±10, ±5%	40	2.52	7.5	3.3	174	EL0405RA-680X-3
82	±10, ±5%	40	2.52	7	3.7	164	EL0405RA-820X-3

* X: Please specify inductance tolerance, M(±20%), K(±10%) or J (±5%)

Inductors

For General Applications

Radial

EL Series EL0405 Type

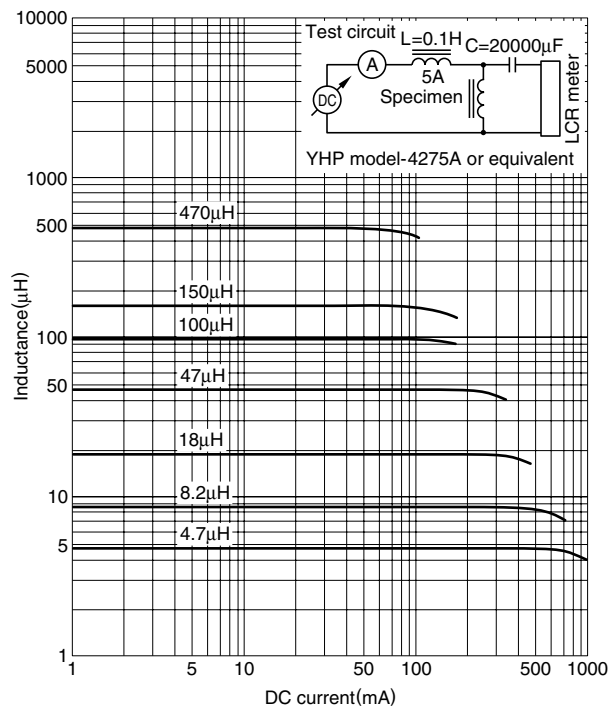
ELECTRICAL CHARACTERISTICS

Inductance (μH)	Inductance tolerance	Q min.	Test frequency L, Q(MHz)	Self-resonant frequency (MHz)min.	DC resistance (Ω)max.	Rated current (mA)max.	Part No.
100	±10, ±5%	35	0.796	6.5	4.4	150	EL0405RA-101X*-3
120	±10, ±5%	35	0.796	6.2	5.1	140	EL0405RA-121X-3
150	±10, ±5%	35	0.796	5.7	5.95	130	EL0405RA-151X-3
180	±10, ±5%	35	0.796	5.3	7	120	EL0405RA-181X-3
220	±10, ±5%	35	0.796	4	8	112	EL0405RA-221X-3
270	±10, ±5%	35	0.796	3.6	12.4	90	EL0405RA-271X-3
330	±10, ±5%	35	0.796	3.3	13.2	87	EL0405RA-331X-3
390	±10, ±5%	35	0.796	3	15.4	80	EL0405RA-391X-3
470	±10, ±5%	35	0.796	2.8	17.3	76	EL0405RA-471X-3
560	±10, ±5%	30	0.796	2.4	21	69	EL0405RA-561X-3
680	±10, ±5%	30	0.796	2.2	23.5	65	EL0405RA-681X-3
820	±10, ±5%	30	0.796	2	26.5	61	EL0405RA-821X-3
1000	±10, ±5%	25	0.252	1.8	31.5	56	EL0405RA-102X-3

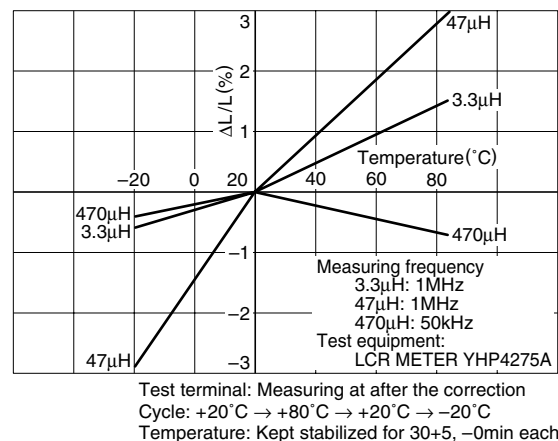
* X: Please specify inductance tolerance, K(±10%) or J (±5%)

TYPICAL ELECTRICAL CHARACTERISTICS

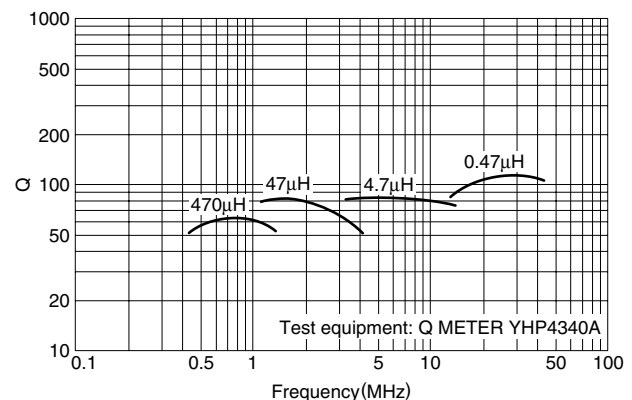
INDUCTANCE CHANGE vs. DC SUPERPOSITION CHARACTERISTICS



INDUCTANCE CHANGE vs. TEMPERATURE CHARACTERISTICS



Q vs. FREQUENCY CHARACTERISTICS



Inductors

For General Applications

Radial

EL Series EL0606 Type

FEATURES

- The EL series inductors are available in ranging from 0304 to 0909 types.
- With a miniature winding construction, these inductors nonetheless achieve high Q characteristics.
- Available in tape packaging to support automated mounting machines.

APPLICATIONS

Televisions, VCRs, personal computers, and other electronic equipment.

SPECIFICATIONS

Operating temperature range	-20 to +80°C [Including self-temperature rise]
Storage temperature range	-40 to +80°C [Unit of products]
Terminal tensile strength	14.7N min.

PRODUCT IDENTIFICATION

<u>EL</u>	<u>0606</u>	<u>RA-</u>	<u>1R0</u>	<u>K</u>	<u>-3</u>
(1)	(2)	(3)	(4)	(5)	(6)

(1)Series name

(2)Dimensions

0606	6.4×6×10mm (lead pitch 5mm)
------	-----------------------------

(3)Packaging style

RA	Ammo-pack
----	-----------

(4)Inductance value

R22	0.22μH
1R0	1μH

(5)Inductance tolerance

J	±5%
K	±10%

(6)TDK internal code

(Some products may not have this number. See the main body for details.)

PACKAGING STYLE AND QUANTITIES

Packaging style	Quantity
Ammo-pack	2000 pieces

Inductors

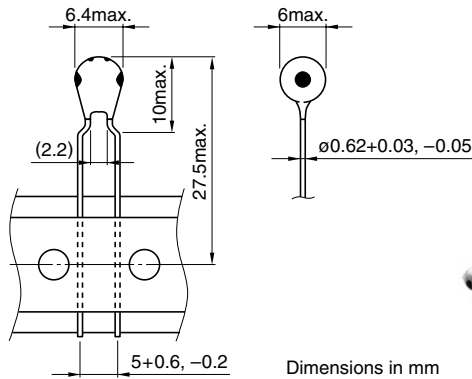
For General Applications

Radial

EL Series EL0606 Type

AMMO-PACK TAPING STYLE

SHAPES AND DIMENSIONS



CHARACTERISTICS

Operating temperature range	-20 to +80°C [Including self-temperature rise 20°C max.]
Withstand voltage Erms	250V
Rated current	Based on inductance change [-10% to the initial value]
Terminal tensile strength	14.7N min.
Moisture resistance	$\Delta L/L \leq \pm 5\%$ $\Delta Q/Q \leq \pm 25\%$

ELECTRICAL CHARACTERISTICS

Inductance (µH)	Inductance tolerance	Q min.	Test frequency L, Q(MHz)	Self-resonant frequency (MHz)min.	DC resistance (Ω)max.	Rated current (mA)max.	Part No.
0.22	±10%	50	25.2	150	0.15	816	EL0606RA-R22K
0.27	±10%	50	25.2	150	0.15	816	EL0606RA-R27K
0.33	±10%	50	25.2	150	0.15	816	EL0606RA-R33K
0.39	±10%	50	25.2	130	0.15	816	EL0606RA-R39K
0.47	±10%	50	25.2	130	0.15	816	EL0606RA-R47K
0.56	±10%	50	25.2	130	0.2	707	EL0606RA-R56K
0.68	±10%	50	25.2	120	0.2	707	EL0606RA-R68K
0.82	±10%	50	25.2	120	0.2	707	EL0606RA-R82K
1	±5%	50	7.96	100	0.2	707	EL0606RA-1R0J
1.2	±5%	50	7.96	85	0.2	707	EL0606RA-1R2J
1.5	±5%	50	7.96	70	0.22	674	EL0606RA-1R5J
1.8	±5%	50	7.96	60	0.22	674	EL0606RA-1R8J
2.2	±5%	50	7.96	55	0.25	632	EL0606RA-2R2J
2.7	±5%	50	7.96	50	0.27	608	EL0606RA-2R7J
3.3	±5%	50	7.96	45	0.3	577	EL0606RA-3R3J
3.9	±5%	50	7.96	40	0.32	559	EL0606RA-3R9J
4.7	±5%	50	7.96	35	0.35	534	EL0606RA-4R7J
5.6	±5%	50	7.96	33	0.37	519	EL0606RA-5R6J
6.8	±5%	50	7.96	27	0.4	500	EL0606RA-6R8J
8.2	±5%	50	7.96	25	0.45	471	EL0606RA-8R2J
10	±5%	50	2.52	20	0.8	353	EL0606RA-100J
12	±5%	50	2.52	18	0.9	333	EL0606RA-120J
15	±5%	50	2.52	17	1	316	EL0606RA-150J
18	±5%	50	2.52	15	1.2	288	EL0606RA-180J
22	±5%	50	2.52	13	1.4	267	EL0606RA-220J
27	±5%	50	2.52	11	1.7	242	EL0606RA-270J
33	±5%	50	2.52	10.5	2	223	EL0606RA-330J
39	±5%	50	2.52	10	2.4	204	EL0606RA-390J
47	±5%	50	2.52	9.5	2.7	192	EL0606RA-470J
56	±5%	50	2.52	9	2.9	185	EL0606RA-560J
68	±5%	50	2.52	8.5	3.1	179	EL0606RA-680J
82	±5%	50	2.52	7.5	3.3	174	EL0606RA-820J
100	±5%	45	0.796	6.8	3.3	174	EL0606RA-101J
120	±5%	45	0.796	6.2	3.5	169	EL0606RA-121J
150	±5%	45	0.796	5.7	3.7	164	EL0606RA-151J
180	±5%	45	0.796	5.3	4	158	EL0606RA-181J

Inductors

For General Applications

Radial

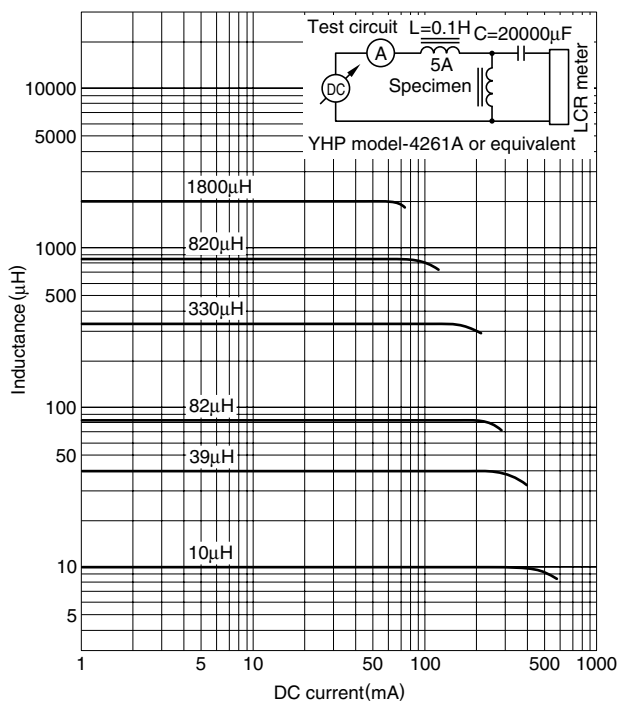
EL Series EL0606 Type

ELECTRICAL CHARACTERISTICS

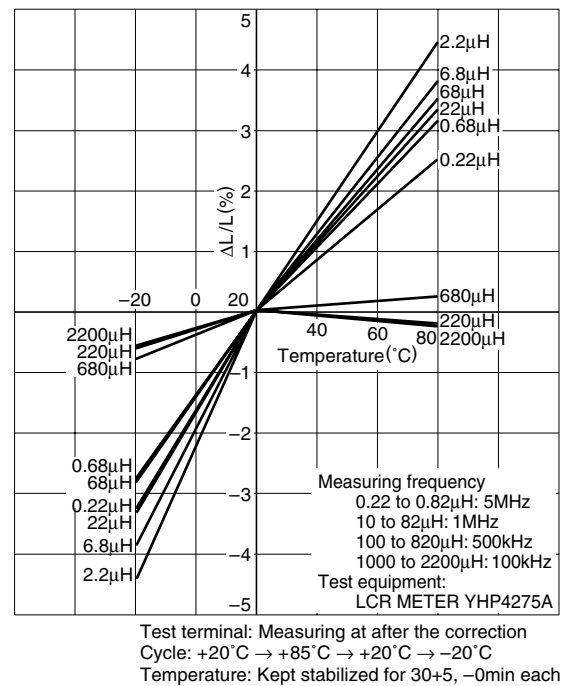
Inductance (μH)	Inductance tolerance	Q min.	Test frequency L, Q(MHz)	Self-resonant frequency (MHz)min.	DC resistance (Ω)max.	Rated current (mA)max.	Part No.
220	±5%	45	0.796	4	5.2	138	EL0606RA-221J
270	±5%	45	0.796	3.6	5.8	131	EL0606RA-271J
330	±5%	45	0.796	3.3	6.5	124	EL0606RA-331J
390	±5%	45	0.796	3	7.5	115	EL0606RA-391J
470	±5%	45	0.796	2.8	8	111	EL0606RA-471J
560	±5%	45	0.796	2.4	12.5	89	EL0606RA-561J
680	±5%	45	0.796	2.2	14	84	EL0606RA-681J
820	±5%	45	0.796	2	15.5	80	EL0606RA-821J
1000	±5%	40	0.252	1.8	18.5	73	EL0606RA-102J
1200	±5%	30	0.252	1.7	29	58	EL0606RA-122J
1500	±5%	30	0.252	1.5	34	54	EL0606RA-152J
1800	±5%	30	0.252	1.4	37	51	EL0606RA-182J
2200	±5%	30	0.252	1.2	42	48	EL0606RA-222J

TYPICAL ELECTRICAL CHARACTERISTICS

INDUCTANCE CHANGE vs. DC SUPERPOSITION CHARACTERISTICS



INDUCTANCE CHANGE vs. TEMPERATURE CHARACTERISTICS

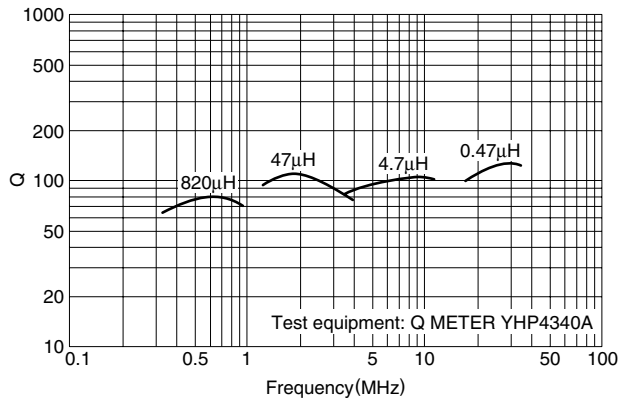


Inductors

For General Applications
Radial

EL Series EL0606 Type

TYPICAL ELECTRICAL CHARACTERISTICS Q vs. FREQUENCY CHARACTERISTICS



Inductors

For General Applications

Radial

EL Series EL0607 Type

FEATURES

- The EL series inductors are available in ranging from 0304 to 0909 types.
- With a miniature winding construction, these inductors nonetheless achieve high Q characteristics.
- Available in tape packaging to support automated mounting machines.

APPLICATIONS

Televisions, VCRs, personal computers, and other electronic equipment.

SPECIFICATIONS

Operating temperature range	-20 to +80°C [Including self-temperature rise]
Storage temperature range	-40 to +80°C [Unit of products]
Terminal tensile strength	14.7N min.

PRODUCT IDENTIFICATION

<u>EL</u>	<u>0607</u>	<u>RA-</u>	<u>100</u>	<u>K</u>	<u>-3</u>
(1)	(2)	(3)	(4)	(5)	(6)

(1)Series name

(2)Dimensions

0607	7.4×6.2×10mm (lead pitch 5mm)
------	-------------------------------

(3)Packaging style

RA	Ammo-pack
----	-----------

(4)Inductance value

100	10μH
101	100μH

(5)Inductance tolerance

J	±5%
K	±10%

(6)TDK internal code

(Some products may not have this number. See the main body for details.)

PACKAGING STYLE AND QUANTITIES

Packaging style	Quantity
Ammo-pack	2000 pieces

Inductors

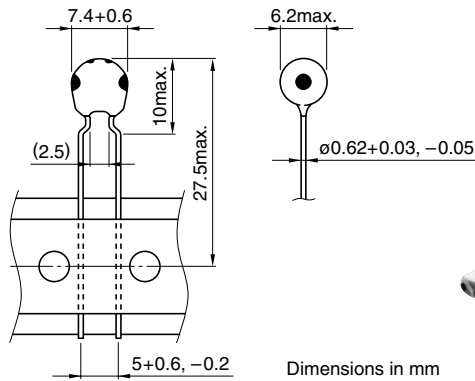
For General Applications

Radial

EL Series EL0607 Type

AMMO-PACK TAPING STYLE

SHAPES AND DIMENSIONS



CHARACTERISTICS

Operating temperature range	-20 to +80°C [Including self-temperature rise 20°C max.]
Withstand voltage Erms	250V
Rated current	Based on inductance change [-10% to the initial value]
Terminal tensile strength	14.7N min.
Moisture resistance	$\Delta L/L \leq \pm 5\%$ $\Delta Q/Q \leq \pm 25\%$

ELECTRICAL CHARACTERISTICS

Inductance (µH)	Inductance tolerance	Q min.	Test frequency L, Q(MHz)	Self-resonant frequency (MHz)min.	DC resistance (Ω)max.	Rated current (mA)max.	Part No.
10	±10, ±5%	20	2.52	17	0.19	780	EL0607RA-100X*
12	±10, ±5%	20	2.52	14	0.22	730	EL0607RA-120X
15	±10, ±5%	20	2.52	12	0.24	650	EL0607RA-150X
18	±10, ±5%	20	2.52	10.5	0.26	610	EL0607RA-180X
22	±10, ±5%	20	2.52	10	0.29	540	EL0607RA-220X
27	±10, ±5%	20	2.52	9.5	0.32	480	EL0607RA-270X
33	±10, ±5%	20	2.52	8.5	0.34	440	EL0607RA-330X
39	±10, ±5%	20	2.52	8	0.42	410	EL0607RA-390X
47	±10, ±5%	20	2.52	7	0.47	375	EL0607RA-470X
56	±10, ±5%	20	2.52	6.8	0.52	340	EL0607RA-560X
68	±10, ±5%	15	2.52	6.5	0.58	320	EL0607RA-680X
82	±10, ±5%	15	2.52	6.3	0.64	285	EL0607RA-820X
100	±10, ±5%	25	0.796	6	0.85	260	EL0607RA-101X
120	±10, ±5%	25	0.796	5.4	1	240	EL0607RA-121X
150	±10, ±5%	25	0.796	4.75	1.2	215	EL0607RA-151X
180	±10, ±5%	30	0.796	4	1.5	195	EL0607RA-181X
220	±10, ±5%	30	0.796	3.85	1.65	180	EL0607RA-221X
270	±10, ±5%	30	0.796	3.6	2.15	160	EL0607RA-271X
330	±10, ±5%	35	0.796	3.3	2.9	145	EL0607RA-331X
390	±10, ±5%	35	0.796	3	3.25	135	EL0607RA-391X
470	±10, ±5%	35	0.796	2.8	4.05	125	EL0607RA-471X
560	±10, ±5%	40	0.796	2.4	4.45	115	EL0607RA-561X
680	±10, ±5%	40	0.796	2.2	5.85	105	EL0607RA-681X
820	±10, ±5%	40	0.796	2	6.6	90	EL0607RA-821X
1000	±10, ±5%	45	0.252	1.8	8.9	85	EL0607RA-102X
1200	±10, ±5%	45	0.252	1.7	10.5	75	EL0607RA-122X
1500	±10, ±5%	45	0.252	1.5	11.9	70	EL0607RA-152X
1800	±10, ±5%	45	0.252	1.3	16.5	60	EL0607RA-182X
2200	±10, ±5%	45	0.252	1.2	19	58	EL0607RA-222X
2700	±10, ±5%	40	0.252	0.8	32	52	EL0607RA-272X

* X: Please specify inductance tolerance, K(±10%) or J(±5%)

Inductors

For General Applications

Radial

EL Series EL0607 Type

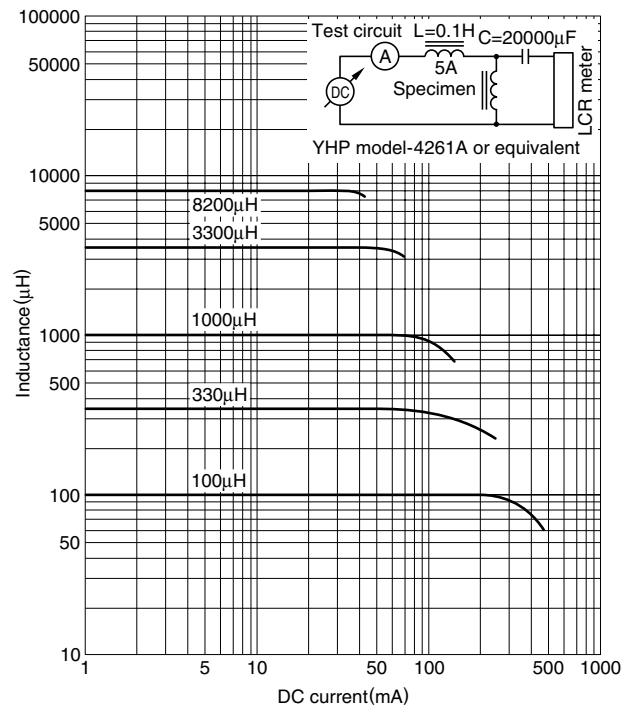
ELECTRICAL CHARACTERISTICS

Inductance (μH)	Inductance tolerance	Q min.	Test frequency L, Q(MHz)	Self-resonant frequency (MHz)min.	DC resistance (Ω)max.	Rated current (mA)max.	Part No.
3300	$\pm 10, \pm 5\%$	40	0.252	0.7	34	48	EL0607RA-332X*
3900	$\pm 10, \pm 5\%$	40	0.252	0.7	38	45	EL0607RA-392X
4700	$\pm 10, \pm 5\%$	40	0.252	0.6	56	40	EL0607RA-472X
5600	$\pm 10, \pm 5\%$	40	0.252	0.5	63	37	EL0607RA-562X
6800	$\pm 10, \pm 5\%$	40	0.252	0.4	70	34	EL0607RA-682X
8200	$\pm 10, \pm 5\%$	40	0.252	0.4	77	31	EL0607RA-822X
10000	$\pm 10, \pm 5\%$	25	0.0796	0.3	95	28	EL0607RA-103X
12000	$\pm 10, \pm 5\%$	25	0.0796	0.2	110	25	EL0607RA-123X
15000	$\pm 10, \pm 5\%$	20	0.0796	0.1	160	21	EL0607RA-153X

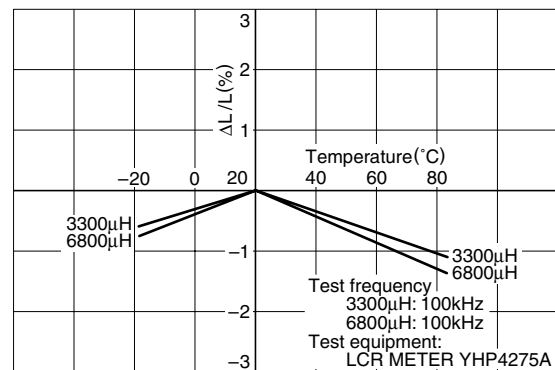
* X: Please specify inductance tolerance, K($\pm 10\%$) or J($\pm 5\%$)

TYPICAL ELECTRICAL CHARACTERISTICS

INDUCTANCE CHANGE vs. DC SUPERPOSITION CHARACTERISTICS

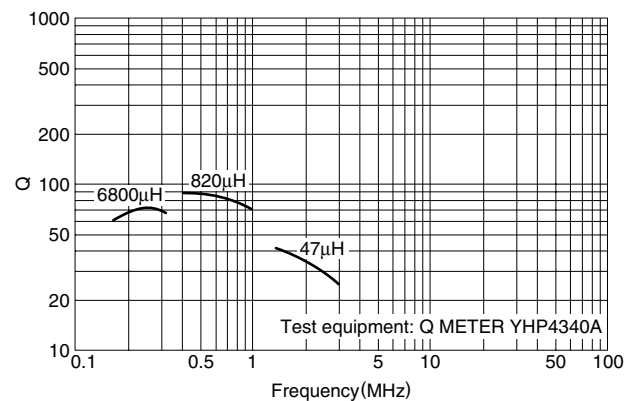


INDUCTANCE CHANGE vs. TEMPERATURE CHARACTERISTICS



Test terminal: Measuring at after the correction
Cycle: $+20^{\circ}\text{C} \rightarrow +85^{\circ}\text{C} \rightarrow +20^{\circ}\text{C} \rightarrow -20^{\circ}\text{C}$
Temperature: Kept stabilized for 30+5, -0min each

Q vs. FREQUENCY CHARACTERISTICS



Inductors

For General Applications

Radial

EL Series EL0909 Type

FEATURES

- The EL series inductors are available in ranging from 0304 to 0909 types.
- With a miniature winding construction, these inductors nonetheless achieve high Q characteristics.
- Available in tape packaging to support automated mounting machines.

APPLICATIONS

Televisions, VCRs, personal computers, and other electronic equipment.

SPECIFICATIONS

Operating temperature range	-20 to +80°C [Including self-temperature rise]
Storage temperature range	-40 to +80°C [Unit of products]
Terminal tensile strength	14.7N min.

PRODUCT IDENTIFICATION

<u>EL</u>	<u>0909</u>	<u>RR-</u>	<u>101</u>	<u>K</u>	<u>-3</u>
(1)	(2)	(3)	(4)	(5)	(6)

(1)Series name

(2)Dimensions

0909	9.4×9×13.5mm (lead pitch 5mm)
------	-------------------------------

(3)Packaging style

RR	Reel
----	------

(4)Inductance value

101	100μH
102	1000μH

(5)Inductance tolerance

J	±5%
K	±10%

(6)TDK internal code

(Some products may not have this number. See the main body for details.)

PACKAGING STYLE AND QUANTITIES

Packaging style	Quantity
Reel	500 pieces/reel

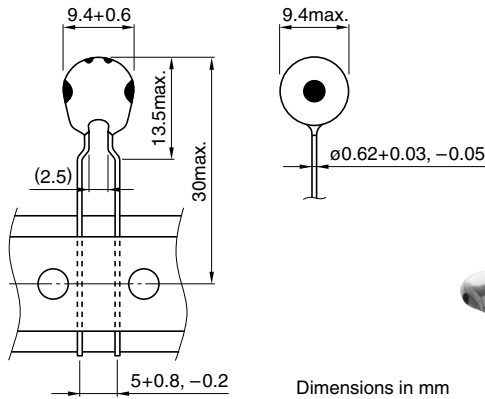
Inductors

For General Applications

Radial

EL Series EL0909 Type

REEL TAPING STYLE SHAPES AND DIMENSIONS



CHARACTERISTICS

Operating temperature range	-20 to +80°C [Including self-temperature rise 20°C max.]
Withstand voltage Erms	250V
Rated current	Based on inductance change [-10% to the initial value]
Terminal tensile strength	14.7N min.
Moisture resistance	$\Delta L/L \leq \pm 5\%$ $\Delta Q/Q \leq \pm 25\%$

ELECTRICAL CHARACTERISTICS

Inductance (µH)	Inductance tolerance	Q min.	Test frequency L, Q(MHz)	Self-resonant frequency (MHz)min.	DC resistance (Ω)max.	Rated current (mA)max.	Part No.
100	±10, ±5%	55	0.796	4.3	0.85	343	EL0909RR-101X*1-2
120	±10, ±5%	55	0.796	4.1	0.95	324	EL0909RR-121X-2
150	±10, ±5%	55	0.796	3.7	1.05	309	EL0909RR-151X-2
180	±10, ±5%	55	0.796	3.3	1.15	295	EL0909RR-181X-2
220	±10, ±5%	50	0.796	2.3	1.3	277	EL0909RR-221X-2
270	±10, ±5%	50	0.796	2	1.5	258	EL0909RR-271X-2
330	±10, ±5%	50	0.796	1.95	1.7	243	EL0909RR-331X-2
390	±10, ±5%	50	0.796	1.85	1.85	232	EL0909RR-391X-2
470	±10, ±5%	50	0.796	1.57	2.3	209	EL0909RR-471X-2
560	±10, ±5%	45	0.796	1.5	2.55	198	EL0909RR-561X-2
680	±10, ±5%	40	0.796	1.4	2.85	187	EL0909RR-681X-2
820	±10, ±5%	35	0.796	1.32	3.1	180	EL0909RR-821X-2
1000	±10, ±5%	60	0.252	1.25	4.1	156	EL0909RR-102X-2
1200	±10, ±5%	60	0.252	1.2	4.7	146	EL0909RR-122X-2
1500	±10, ±5%	60	0.252	1	5.8	131	EL0909RR-152X-2
1800	±10, ±5%	60	0.252	0.95	7.4	116	EL0909RR-182X-2
2200	±10, ±5%	65	0.252	0.9	8.4	109	EL0909RR-222X-2
2700	±10, ±5%	65	0.252	0.84	11.2	94	EL0909RR-272X-2
3300	±10, ±5%	65	0.252	0.75	14.7	82	EL0909RR-332X-2
3900	±10, ±5%	65	0.252	0.67	19.5	72	EL0909RR-392X-2
4700	±10, ±5%	65	0.252	0.62	21.5	68	EL0909RR-472X-2
5600	±10, ±5%	60	0.252	0.57	24.5	64	EL0909RR-562X-2
6800	±10, ±5%	60	0.252	0.47	32.5	55	EL0909RR-682X-2
8200	±10, ±5%	55	0.252	0.43	38	51	EL0909RR-822X-2
10000	±10, ±5%	50	0.001*2/0.0796*3	0.38	43	48	EL0909RR-103X-2
12000	±10, ±5%	50	0.001/0.0796	0.37	62	40	EL0909RR-123X-2
15000	±10, ±5%	50	0.001/0.0796	0.33	74	37	EL0909RR-153X-2
18000	±10, ±5%	50	0.001/0.0796	0.29	103	31	EL0909RR-183X-2
22000	±10, ±5%	50	0.001/0.0796	0.26	118	29	EL0909RR-223X-2
27000	±10, ±5%	50	0.001/0.0796	0.25	131	28	EL0909RR-273X-2
33000	±10, ±5%	50	0.001/0.0796	0.25	185	23	EL0909RR-333X-2
39000	±10, ±5%	40	0.001/0.0796	0.23	205	22	EL0909RR-393X-2
47000	±10, ±5%	35	0.001/0.0796	0.21	260	20	EL0909RR-473X-2
56000	±10, ±5%	35	0.001/0.0796	0.2	295	18	EL0909RR-563X-2

*1 X: Please specify inductance tolerance, K(±10%) or J(±5%)

*2 for L

*3 for Q

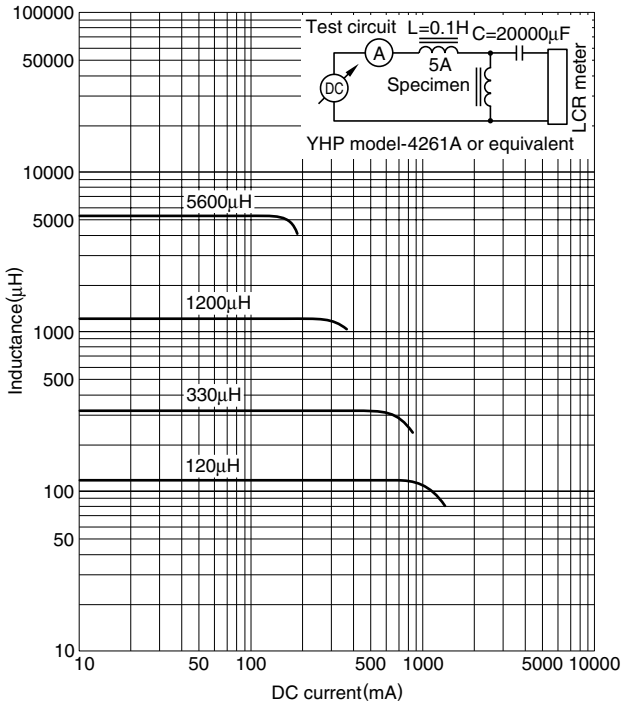
Inductors

For General Applications
Radial

EL Series EL0909 Type

TYPICAL ELECTRICAL CHARACTERISTICS

INDUCTANCE CHANGE vs. DC SUPERPOSITION CHARACTERISTICS



Q vs. FREQUENCY CHARACTERISTICS

