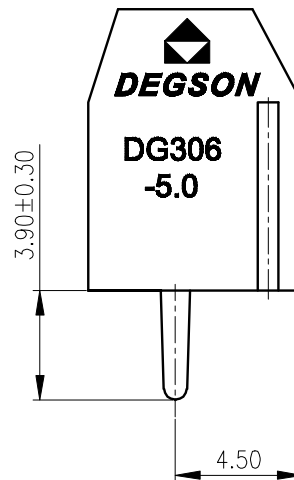
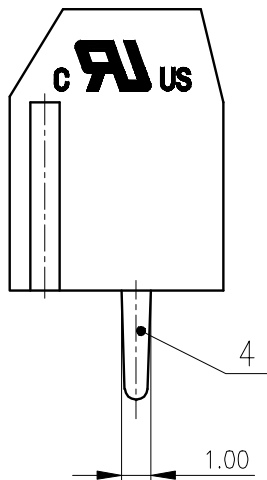
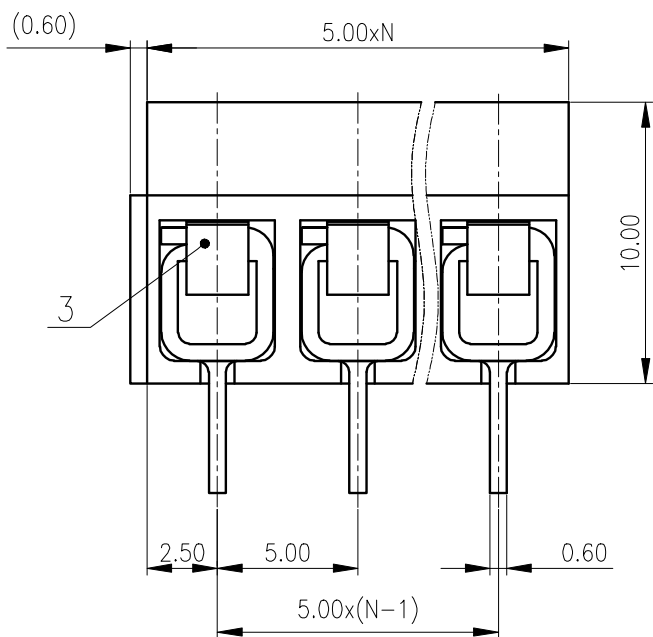
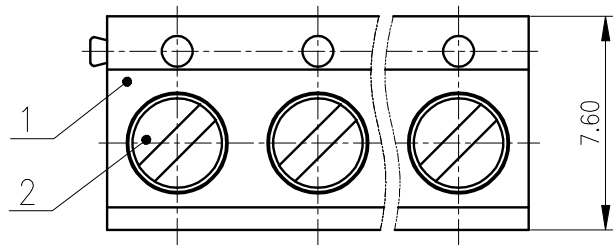
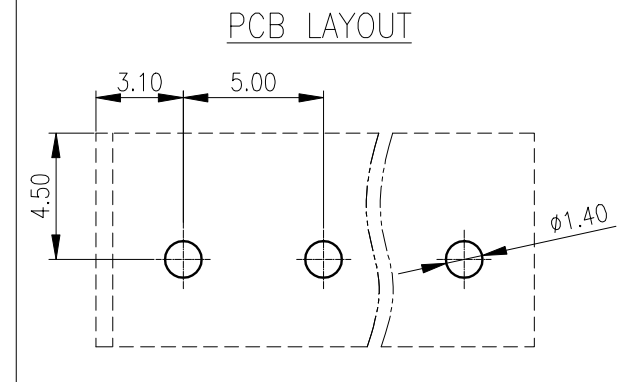


未注公差/General tolerances(mm)											0.1/10 ±2'		
0	>3	>6	>10	>18	>30	>50	>80	>120	>180	>250		>315	>400
~3	~6	~10	~18	~30	~50	~80	~120	~180	~250	~315	~400	~500	~500
±0.12	±0.18	±0.22	±0.26	±0.31	±0.37	±0.57	±0.80	±0.93	±1.05	±1.15	±1.60	±2.20	±2.50



ITEM	NAME OF PART	MATERIAL	NOTES
4	Pin header	Copper alloy	M2.5/Sn Plated
3	Spring	Stainless steel	
2	Screw	Steel	M2.5/Zn Plated
1	Housing	PBT	UL94V-0
UL 标准/UL Standard:		B	C
额定电压/电流/Rated Voltage(V)/Current(A)		300/10	/
IEC 标准/IEC Standard:			
过压类别/Overvoltage Category/污染等级/Pollution Degree		III/3	III/2
额定电压/电流/Rated Voltage(V)/Current(A)		/	250/15
工频耐压/Withstanding voltage(V/1Min)		AC2000	
螺丝扭矩/Torque Tightening(N·m/Lb.in)		M2.5, 0.29/2.60	
线径范围(硬线和软线)/Wire Range(rigid and flexible)(mm ² /AWG)		0.75~1.5/22~14	
间距/Pitch(mm)/线数范围/Poles		5.0/N=02~24P	
剥线长度/Stripping length(mm)		5~6	
使用温度范围/Operating temperature(°C)		-30~+120	
符合RoHS环保要求/Conform to RoHS		Yes	

MATERIAL:		SURFACE:	
MAT NO.: /		宁波高松电子有限公司 NINGBO DEGSON ELECTRICAL CO., LTD	
STATUS: /			
APPD: Lan ChH 2020.05.25		NAME: DG306-5.0-XXP-1Y-00A(H)	
CHKD: Yu JZh 2020.05.25		DRAWING NO.: DG306-5.0-C06	
DRFT: BYH 2019.01.12		REV	T1
SIZE: A4		TYPE: CUSTOMER DRAWING	SCALE: 4:1 SHEET 1/1

REV	ECN	DESCRIPTION	DRFT	DATE