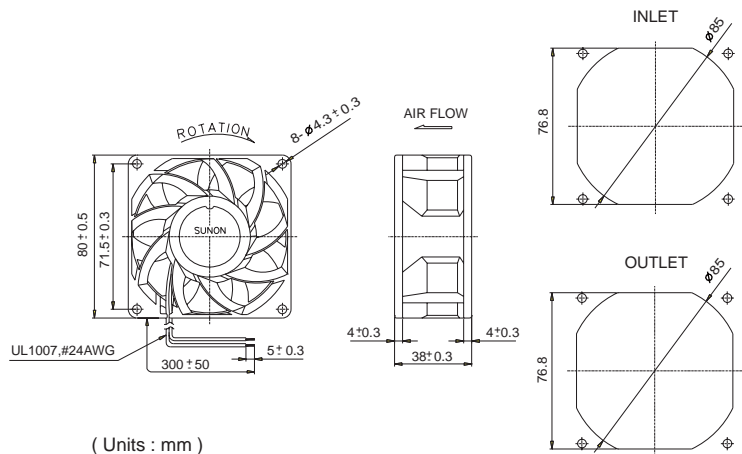
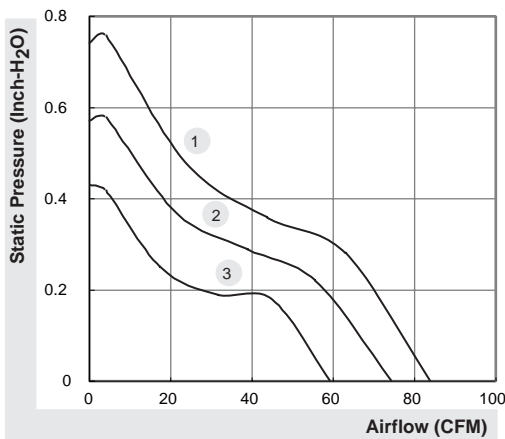


80x80x38 mm

59.5~84.1 CFM



| Model | P/N | Bearing ● 2BALL ○ Sleeve | Rating Voltage (VDC) | Power Current (AMP) | Power Consumption (WATTS) | Speed (RPM) | Air Flow (CFM) | Static Pressure (Inch-H ₂ O) | Noise (dBA) | Weight (g) | Curve |
|---------------|--------|--------------------------------|----------------------|---------------------|---------------------------|-------------|----------------|---|-------------|------------|-------|
| PMD1208PMB1-A | (2).GN | ● | 12 | 0.76 | 9.1 | 5700 | 84.1 | 0.74 | 55.2 | 175 | 1 |
| PMD1208PMB2-A | (2).GN | ● | 12 | 0.53 | 6.4 | 4900 | 74.5 | 0.57 | 51.6 | 175 | 2 |
| PMD1208PMB3-A | (2).GN | ● | 12 | 0.37 | 4.4 | 4200 | 59.5 | 0.43 | 47.3 | 175 | 3 |
| PMD2408PMB1-A | (2).GN | ● | 24 | 0.40 | 9.6 | 5700 | 84.1 | 0.74 | 55.2 | 175 | 1 |
| PMD2408PMB2-A | (2).GN | ● | 24 | 0.30 | 7.2 | 4900 | 74.5 | 0.57 | 51.6 | 175 | 2 |
| PMD2408PMB3-A | (2).GN | ● | 24 | 0.20 | 4.8 | 4200 | 59.5 | 0.43 | 47.3 | 175 | 3 |
| PMD4808PMB1-A | (2).GN | ● | 48 | 0.19 | 9.1 | 5700 | 84.1 | 0.74 | 55.2 | 175 | 1 |
| PMD4808PMB2-A | (2).GN | ● | 48 | 0.14 | 6.7 | 4900 | 74.5 | 0.57 | 51.6 | 175 | 2 |
| PMD4808PMB3-A | (2).GN | ● | 48 | 0.10 | 4.8 | 4200 | 59.5 | 0.43 | 47.3 | 175 | 3 |



*All model could be customized. Please contact with Sunon Sales.

*Specifications subject to change without notice. Please Visit SUNON web site at <http://www.sunon.com> for update information.