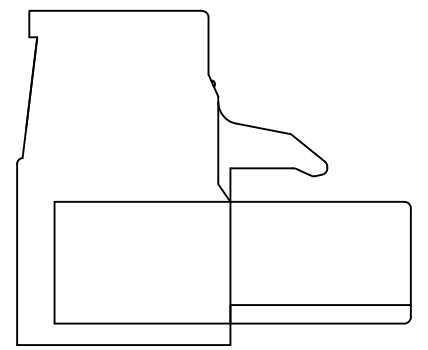
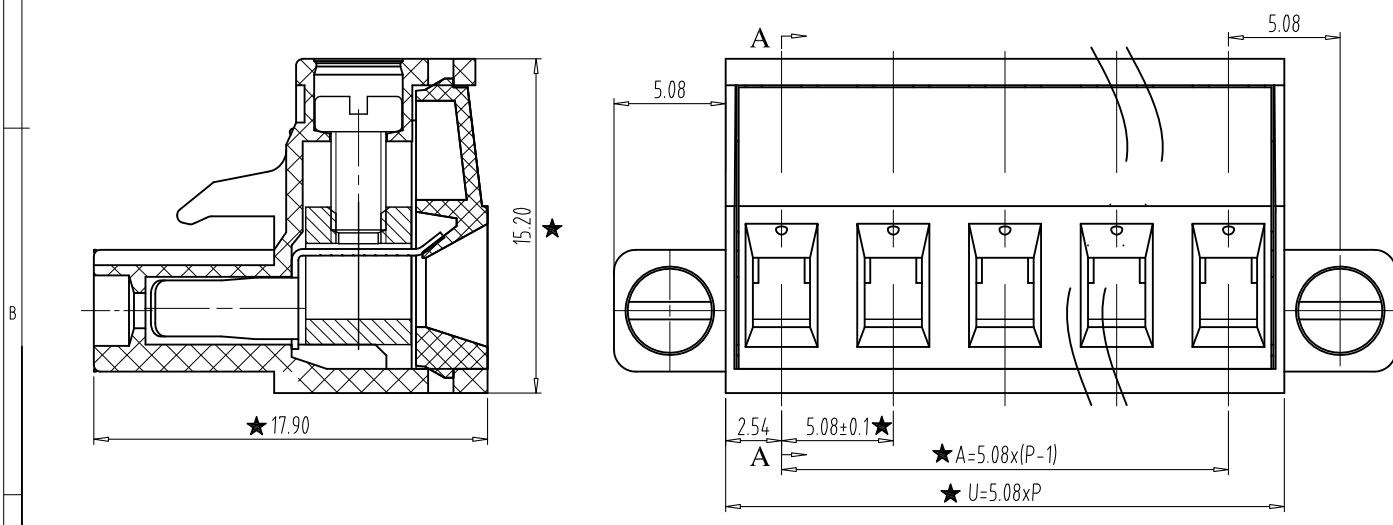
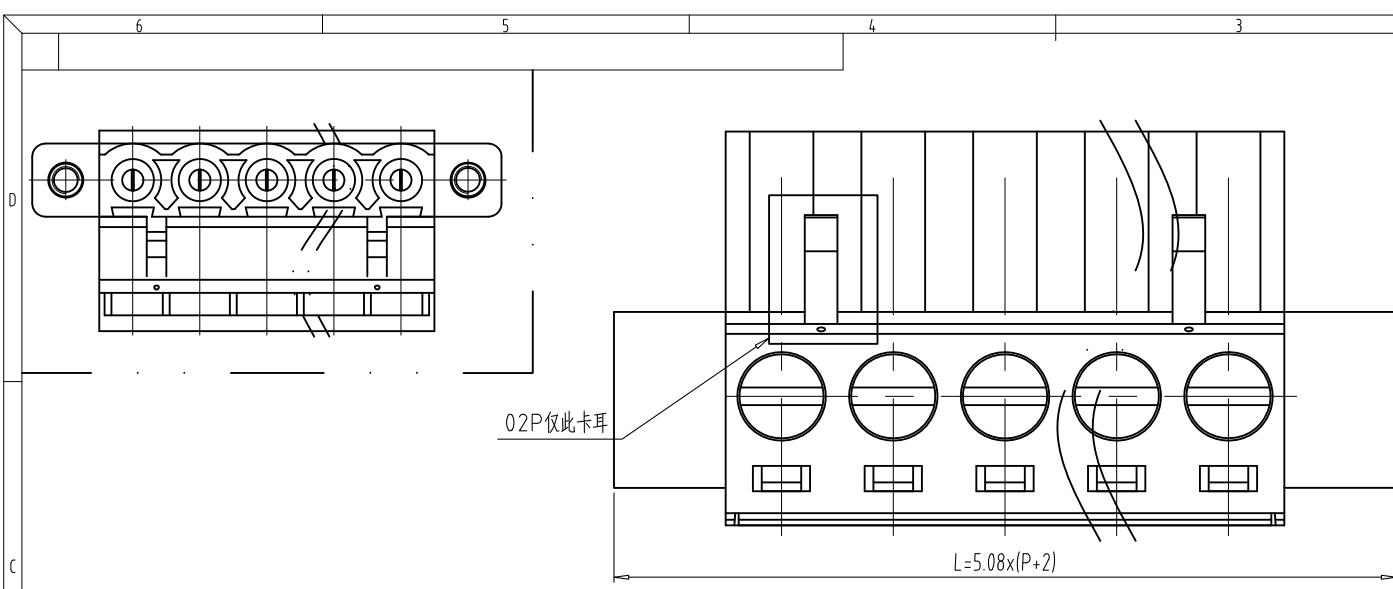


REV	CONTENT	CHK	DATE
-----	---------	-----	------

- NOTES:
1. Rating:300V 15A;
 2. Insulation Withstands Voltage: AC2000V/MIN
 3. Insulation Resistance: 500MΩ or more at DC500V
 4. Using Temperature Range: -40°C~+105°C
 5. Screw Torque Value:0.4N.m
 6. Suitable Electric Wire: 28~12AWG
 7. "★" is the important dimension.



Total Pitch Tolerances in mm										Nominal dimension range in mm										⊥	≡	-	//						
over 0 to 30	over 30 to 53	over 53 to 70	over 70 to 90	over 90 to 115	over 115 to 150	over 150 to 250	over 250 to 350	over 350 to 500	over 500 to 1000	over 0 to 30	over 30 to 53	over 53 to 70	over 70 to 90	over 90 to 115	over 115 to 150	over 150 to 200	over 200 to 250	over 250 to 320	over 320 to 10	over 10 to 100	over 100 to 150	over 150 to 150	all	0.2	0.3	0.3	0.2	0.3	0.5
±0.18	±0.20	±0.25	±0.3	±0.35	±0.44	±0.60	±0.70	±0.85	±0.20	±0.25	±0.30	±0.35	±0.44	±0.55	±0.70	±0.80	±0.90	0.2	0.3	0.3	0.2	0.3	0.5						

ITEM	NAME OF PART	NO. OF PART	Q'TY	MATERIAL	NOTE
DWG.	SK	DATE	SIZE	A4 UNITS mm	SHEET/OF 1/1
CHK.		DATE	SCALE	3:1	5.08
APP.		DATE	NAME	KSE-2EDGKM-5.08-XX	

