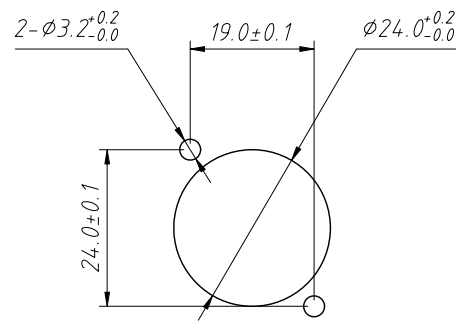
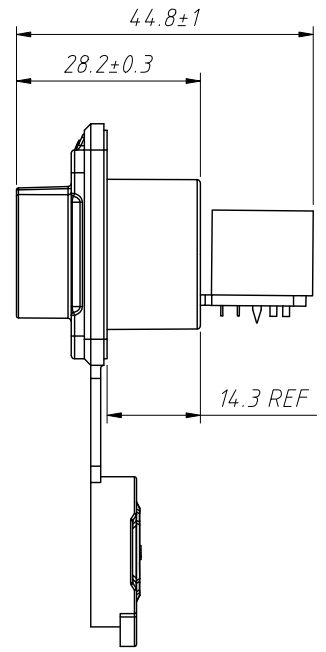
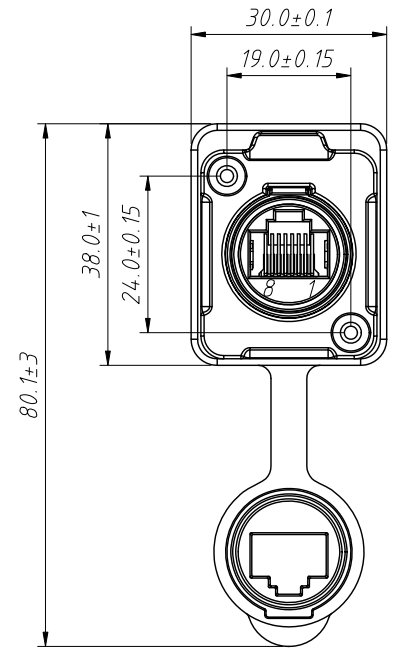


1  
RoHS Compliance

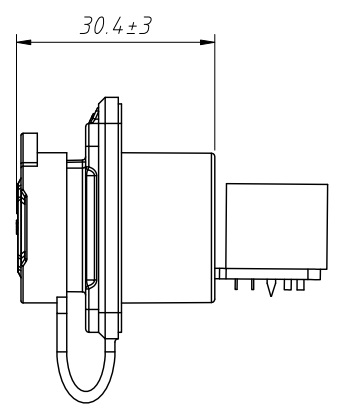
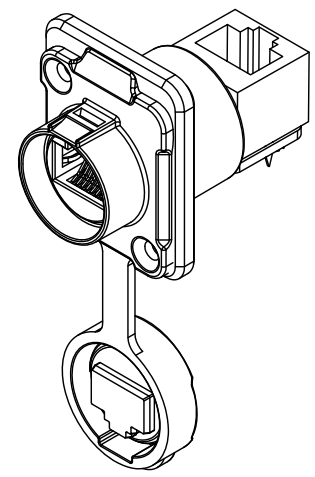
7		8	
REV	SYM	Revision Record	Appr.
V0	KLS15032	New Version Release	WuHao
			Date
			2024-11-18



Mounting Hole Size  
Mounting Screw Size:M3

Material:  
Body:High performance engineering plastics UL94-V0  
Contact:Phosphor bronze,gold plated  
Sealing:Silica gel  
Housing:PBT  
Nut:PBT

Electrical Characteristics:  
Rated current:1.5A  
Rated voltage:AC 125V  
Dielectric withstanding voltage:AC 1000V  
Contact resistance:30mΩ Max  
Insulation Resistance:500MΩ Min  
Protection class:IP67/IP68  
Operating Cycles:500 times Min  
Tightening torque:0.4N.m  
Operating temperature:  
-25°C ~ +85°C (Standard Plasticshell)  
-40°C ~ +85°C (Customized Plasticshell)  
Transmissionrate:CAT.3



ANGLE TOLERANCE	PROJECTION	Description:	
±3°		M16 Push pull Waterproof RJ45 connectors,IP67	
GENERAL TOLERANCE	UNITS	mm	KLS P/N:
x.x ±0.30	SHEET SIZE	A4	L-KLS15-WEC45-01-S2
x.xx ±0.20	Draw:	WuHao	2024-11-18
x.xxx ±0.10	Check:	Daniel	2024-11-18

