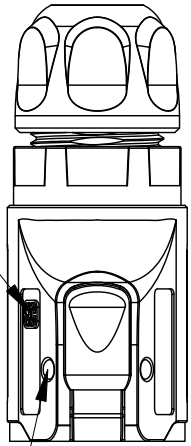


1
RoHS Compliance

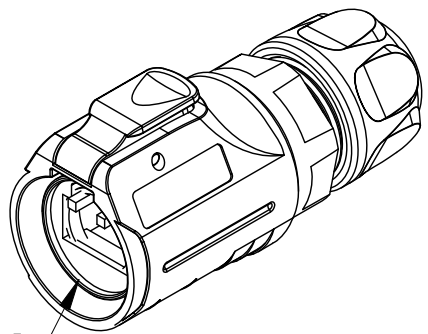
6	7	8
REV	SYM	Revision Record
V0	KLS15032	New Version Release
		Appr. WuHao
		Date 2024-11-18

B



Add oracle bone

New latch rivet
press flowering



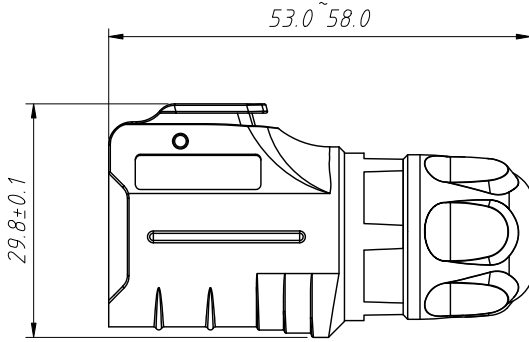
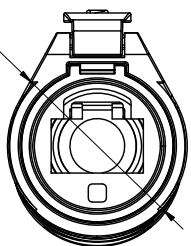
Optimized sealing
position

Material:
Body: High performance engineering plastics UL 94-V0
Contact: Phosphor bronze, gold plated
Sealing: Silica gel
Housing: PBT
Nut: PBT

Electrical Characteristics:
Rated current: 1.5A
Rated voltage: AC 125V
Dielectric withstanding voltage: AC 1000V
Insulation Resistance: 500MΩ Min
Wire Gauge: OD5.0~OD7.0
Protection Class: IP67
Operating Cycles: 500 times Min
Tightening torque: 1.3N.m
Operating temperature: -25°C ~ +85°C

E

φ23.0±0.3



F

G

H

ANGLE TOLERANCE	PROJECTION	Description:
±3°		M16 Push pull Waterproof RJ45 connectors, IP67
GENERAL TOLERANCE	UNITS	mm
x.x ±0.30	SHEET SIZE	A4
x.xx ±0.20	Draw:	WuHao 2024-11-18
x.xxx ±0.10	Check:	Daniel 2024-11-18
		L-KLS15-WEC45-01-P1
		NingBo KLS ELECTRONIC CO.,LTD.

1 2 3 4 5 6 7 8