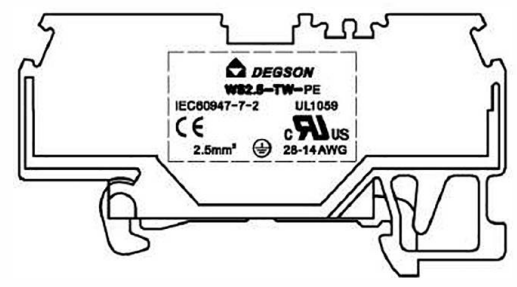
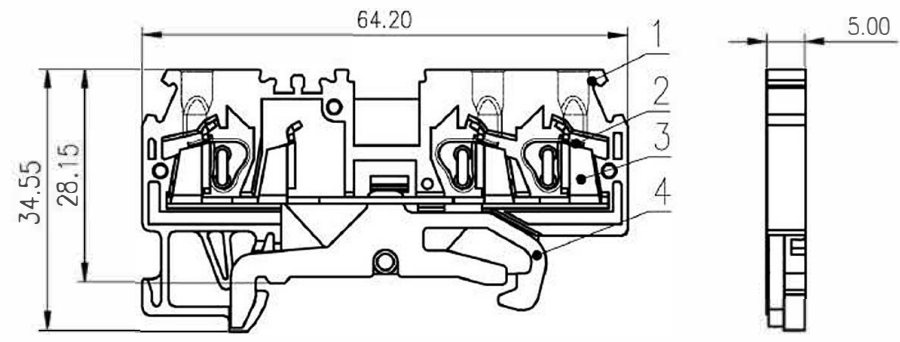


公差/General tolerances(mm)													0.1/10 ±Z
0	>3	>6	>10	>18	>30	>50	>80	>120	>180	>250	>315	>400	
±0.12	±0.18	±0.22	±0.26	±0.31	±0.37	±0.57	±0.80	±0.93	±1.05	±1.15	±1.60	±2.20	±2.50



ITEM	NAME OF PART	MATERIAL	NOTES
4	Current contact	Copper alloy	Sn Plated
3	Current carrier	Copper	Sn Plated
2	Spring	Stainless steel	
1	Housing	PA66	UL94V-0
UL 标准/UL Standard: B C D			
额定电压/电流/Rated Voltage(V)/Current(A) / / /			
IEC 标准/IEC Standard:			
过压类别/Overvoltage Category/污染等级/Pollution Degree III/3 / /			
额定电压/电流/Rated Voltage(V)/Current(A) / / /			
额定脉冲电压(KV)/Rate Impulse Voltage(KV) 8.00 / / /			
线径范围(硬线和软线)/Wire Range(rigid and flexible)(mm²/AWG) 0.2~2.5/28~14(Sol)			
间距/Pitch(mm) 5.00			
剥线长度/Stripping length(mm) 9			
使用温度范围/Operating temperature(°C) -40~+105			
符合RoHS环保要求/Conform to RoHS Yes			
标准颜色编号/Standard color number: PANTONE / RAL /			

MATERIAL:	SURFACE:		
MAT NO.:	/	宁波高松电子有限公司 NINGBO DEGSON ELECTRICAL CO., LTD	
STATUS:	/		
APPD:	LiGL 2020.05.27		
CHKD:	MaoJ 2020.05.27		
DRFT:	ZhengQG 2020.05.27	NAME:	WS2.5-TW-PE-01P-1C-00A(H)
		DRAWING NO.:	WS2.5-TW-PE-C01
		REV	T1
		TYPE:	CUSTOMER DRAWING
		SCALE:	1:1
		SHEET	1/1

REV	ECN	DESCRIPTION	DRFT	DATE
1	2	3	4	5