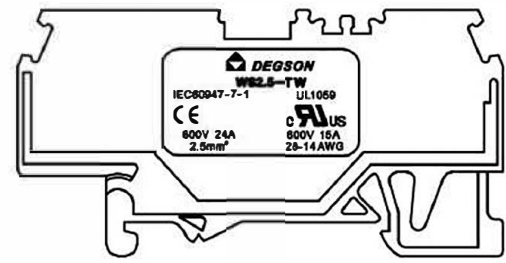
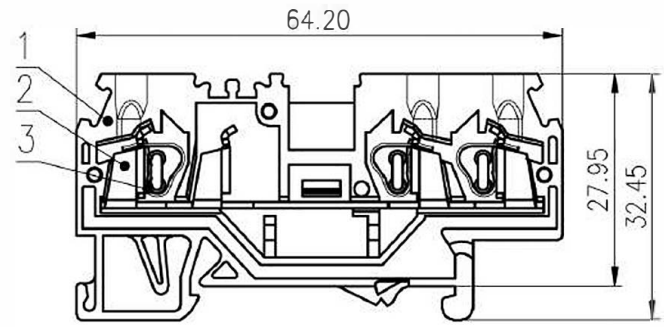
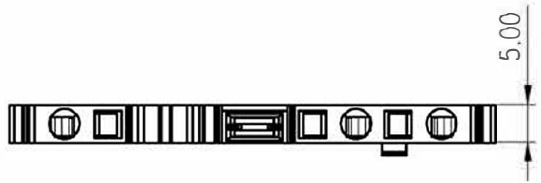


公差/General tolerances(mm)													0.1/10 ±2'
0	>3	>6	>10	>18	>30	>50	>80	>120	>180	>250	>315	>400	
~	~	~	~	~	~	~	~	~	~	~	~	~	~
3	6	10	18	30	50	80	120	180	250	315	400	500	>500
±0.12	±0.18	±0.22	±0.26	±0.31	±0.37	±0.57	±0.80	±0.93	±1.05	±1.15	±1.60	±2.20	±2.50



3	Spring	Stainless steel	
2	Current carrier	Copper	Sn Plated
1	Housing	PA66	UL94V-0
ITEM	NAME OF PART	MATERIAL	NOTES
UL 标准/UL Standard:			
额定电压/电压/Rated Voltage(V)/Current(A)		B	C
		600/15	600/15
		600/15	600/5
IEC 标准/IEC Standard:			
过压类别/Overvoltage Category/污染等级/Pollution Degree		III/3	/
额定电压/电压/Rated Voltage(V)/Current(A)		800/24	/
额定脉冲电压(kV)/Rate Impulse Voltage(kV)		8.0	/
线径范围(硬线和软线)/Wire Range(rigid and flexible)(mm ² /AWG)		0.2~2.5/28~14(Sol)	
间距/Pitch(mm)		5.00	
剥线长度/Stripping length(mm)		9	
使用温度范围/Operating temperature(°C)		-40~+105	
符合RoHS环保要求/Conform to RoHS		Yes	
标准颜色编号/Standard color number:		/	
PANTONE / RAL		/	

MATERIAL:	SURFACE:			
MAT NO.:	/	宁波高松电子有限公司 NINGBO DEGSON ELECTRICAL CO., LTD		
STATUS:	/			
APPD:	LiGL 2020.05.27			
CHKD:	MaoJ 2020.05.27			
DRF:	ZhengQG 2020.05.27	NAME: WS2.5-TW-01P-1Y-00A(H)		
DRAWING NO.:		WS2.5-TW-C01	REV	T0
TYPE: CUSTOMER DRAWING		SCALE: 1:1	SHEET	1/1

REV	ECN	DESCRIPTION	DRFT	DATE
1	2	3	4	5