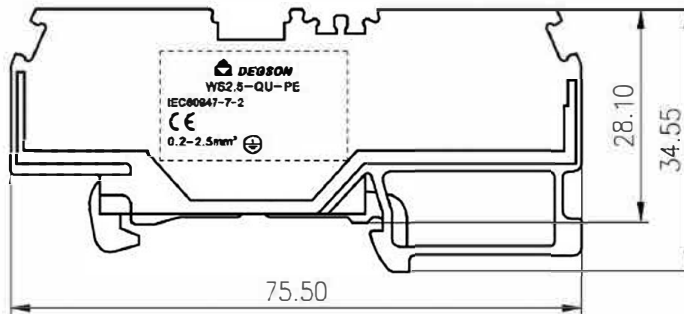
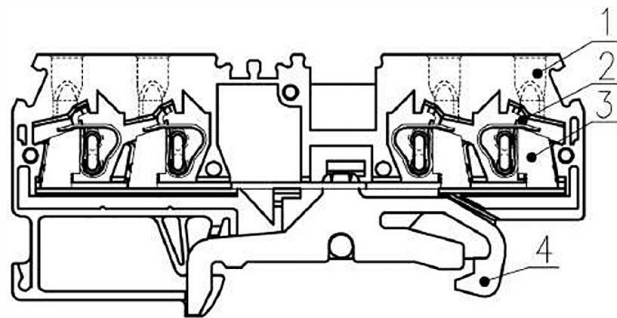


未注公差/General tolerances(mm)													0.1/10 ±Z
0	>3	>6	>10	>18	>30	>50	>80	>120	>180	>250	>315	>400	
±0.12	±0.18	±0.22	±0.26	±0.31	±0.37	±0.57	±0.80	±0.93	±1.05	±1.15	±1.60	±2.20	±2.50

5.00



4	Ground Pin	Copper alloy	Sn plated
3	Current carrier	Copper	Sn plated
2	Spring	Steel	
1	Housing	PA66	UL94V-0

ITEM	NAME OF PART	MATERIAL	NOTES
UL 标准/UL Standard:			
额定电压/电流/Rated Voltage(V)/Current(A)		B	C D
IEC 标准/IEC Standard:			
过压类别/Overvoltage Category/污染等级/Pollution Degree		III/3	/ /
额定电压/电流/Rated Voltage(V)/Current(A)		/	/ /
额定脉冲电压(KV)/Rate Impulse Voltage(KV)		8.0	/ /
线径范围(硬线和软线)/Wire Range(rigid and flexible)(mm²/AWG)		0.2~2.5/28~12	
间距/Pitch(mm)		5.00	
剥线长度/Stripping length(mm)		9	
使用温度范围/Operating temperature(°C)		-40~+105	
符合RoHS环保要求/Conform to RoHS		Yes	
标准颜色编号/Standard color number:		/	
PANTONE / RAL		/	

MATERIAL:		SURFACE:	
MAT NO.: /		<b>宁波高松电子有限公司</b> <b>NINGBO DEGSON ELECTRICAL CO., LTD</b>	
STATUS: /			
APPD: LiGL 2020.05.28			
CHKD: MaoJ 2020.05.28			
DRFT: ZhengQG 2020.05.28			
NAME:		WS2.5-QU-PE-01P-1C-00A(H)	
DRAWING NO.: WS2.5-QU-PE-C01		REV	T1
TYPE: CUSTOMER DRAWING		SCALE: 1:1	SHEET 1/1

REV	ECN	DESCRIPTION	DRFT	DATE
1	2	3	4	5

SIZE: A4  
mm (inch)