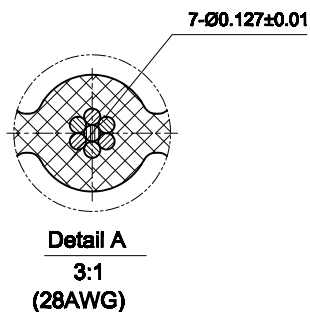


MULTI

Pin look up table			
Pin	Cable color	Pin	Cable color
1	Brown	6	Blue
2	Red	7	Purple
3	Orange	8	Groy
4	Yellow	9	White
5	Green	10	Black



NOTES:

- Materials:**
 - . Insulation:PVC, Grey.
 - . Conductor:Copper with tin plating.
- Specification:**
 - . Rating: 300V
 - . Conductor Size: 28AWG.
 - . Insulation resistance: 100MΩ/km min.
 - . Operating temperature:-20°C~70°C.
- Application**
 - . Internal wiring of computers,electronic exchanges,measurement control devices, business machines,communication devices, and other electronic equipment.

Number	Dimensions			Max. conductor resistance DC 20°C Ω/m
	TP(mm)	W(mm)	Tolerance	
RC1-10	9.00	10.00	±0.30	
RC1-14	13.00	14.00	±0.30	
RC1-16	15.00	16.00	±0.30	
RC1-20	19.00	20.00	±0.30	
RC1-24	23.00	24.00	±0.30	
RC1-30	29.00	30.00	±0.30	
RC1-XX-MULTI				

ITEM	NAME OF PART	NO. OF PART	Q"TY	MATERIAL	NOTE
DWG.	SK	DATE	SIZE	A4 UNITS mm	SHEET/OF 1 / 1
CHK.		DATE	SCALE		
APP.		DATE		NAME	RC1-XX
				DWGNO.	

Total Pitch Tolerances in mm										Nominal dimension range in mm										⊥	≡	—	//			
over 0	over 30	over 53	over 70	over 90	over 115	over 150	over 250	over 350	over 500	over 0	over 30	over 53	over 70	over 90	over 115	over 150	over 200	over 250	over 320	over 0	over 10	all	over 0	over 100	over 150	
±0.18	±0.20	±0.25	±0.3	±0.35	±0.4	±0.60	±0.70	±0.85	±1.00	±0.20	±0.25	±0.30	±0.35	±0.4	±0.44	±0.55	±0.70	±0.80	±0.90	0.2	0.3	0.3	0.3	0.2	0.3	0.5