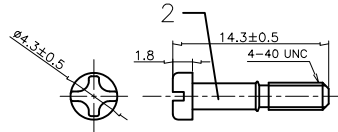
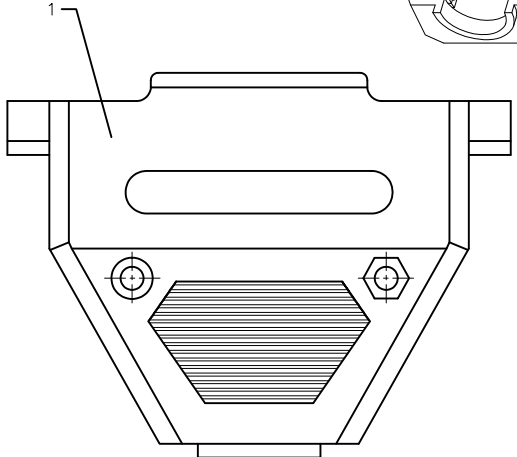
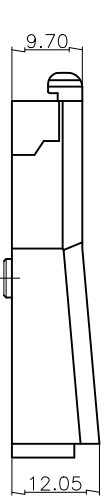
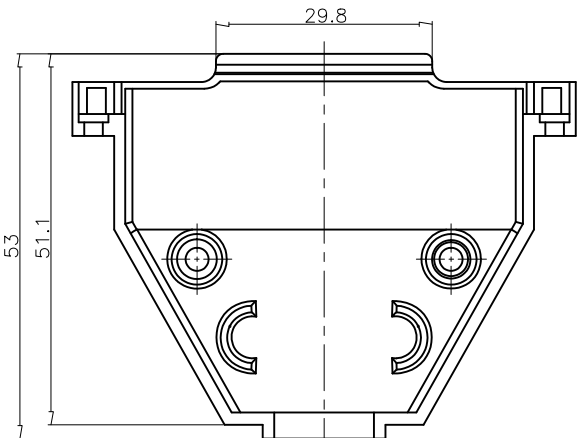
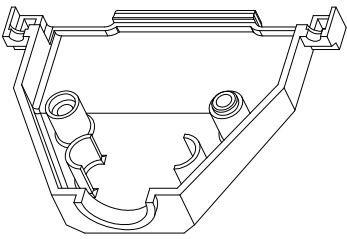
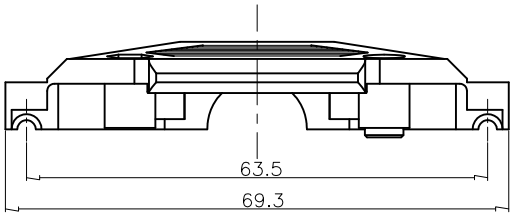
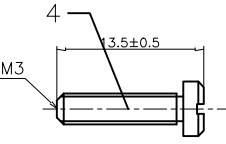


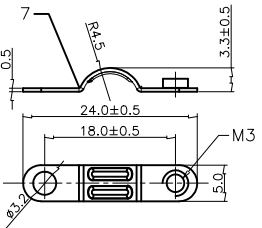
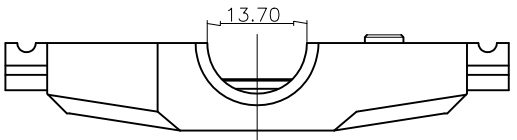
BOM LIST			
ITEM	PART NAME	Q'ty	NOTES
1	PLASTIC HOOD	2	ABS
2	LONG BOLT	2	#4-40
	SHORT BOLT	2	#4-40
3	NUT	2	M3
4	LONG SCREW	2	M3
5	SMALL WASHER	2	
6	SHORT SCREW	2	M3
7	METAL WASHER	2	M3



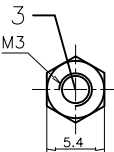
Short BOLT



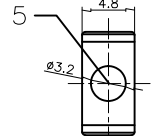
LONG SCREW



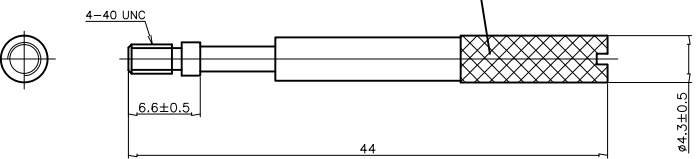
Metal



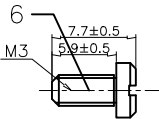
UNT t=2.3mm



SMALL WASHER



Long BOLT



SHORT SCREW

Total Pitch Tolerances in mm										Nominal dimension range in mm										⊥		≡		—		//			
over 0 to 30	over 30 to 53	over 53 to 70	over 70 to 90	over 90 to 115	over 115 to 150	over 150 to 250	over 250 to 350	over 350 to 500	over 500 to 1000	over 0 to 30	over 30 to 53	over 53 to 70	over 70 to 90	over 90 to 115	over 115 to 150	over 150 to 200	over 200 to 250	over 250 to 320	over 320 to 1000	over 0 to 10	over 10 to 0.3	over 0 to 100	over 100 to 150	over 150 to 0.2	over 0.2 to 0.3	over 0.3 to 0.2	over 0.2 to 0.3	over 0.3 to 0.5	
±0.18	±0.25	±0.35	±0.44	±0.60	±0.70	±0.85	±0.20	±0.25	±0.30	±0.35	±0.44	±0.55	±0.70	±0.80	±0.90	0.2	0.3	0.3	0.2	0.3	0.2	0.3	0.2	0.3	0.2	0.3	0.2	0.3	0.5

ITEM	NAME OF PART	NO. OF PART	Q'TY	MATERIAL	NOTE
DWG.		DATE	SIZE	A4 UNITS mm	SHEET/OF 1 / 1
CHK.		DATE	SCALE		
APP.		DATE		NAME	D-SUB 37pin Hood Chromium plated
				DWGNO.	

