

RSV1,6 B6 GR

Weidmüller Interface GmbH & Co. KG

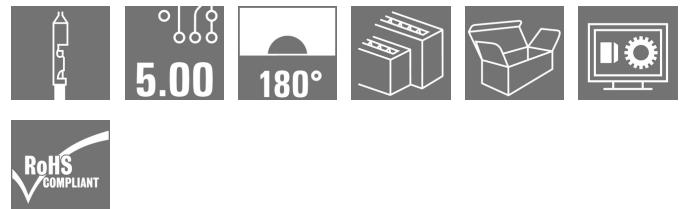
Klingenbergstraße 26

D-32758 Detmold

Germany

www.weidmueller.com

Product image



Similar to illustration

Rectangular plug-in connector for use with crimp contacts. Can be used as universal coupling, but also with the PCB variations. The crimp contacts guarantee a high connection density. CS 1.6 or CB 1.6 contacts can be used here. The plug-in connectors can be coded and locked to the mating connector. Supplied in cardboard box.

General ordering data

Version	PCB plug-in connector, female plug, 5.00 mm, Number of poles: 6, 180°, Crimp connection, Clamping range, max. : 3.31 mm ² , Box
Order No.	1414000000
Type	RSV1,6 B6 GR
GTIN (EAN)	4008190055394
Qty.	25 pc(s).
Product data	IEC: 630 V / 17 A UL: 600 V / 10 A / AWG 26 - AWG 12
Packaging	Box

Creation date January 31, 2023 10:22:33 AM CET

RSV1,6 B6 GR

Weidmüller Interface GmbH & Co. KG

Klingenbergstraße 26

D-32758 Detmold

Germany

www.weidmueller.com

Technical data

Dimensions and weights

Depth	23 mm	Depth (inches)	0.906 inch
Height	33 mm	Height (inches)	1.299 inch
Width	30 mm	Width (inches)	1.181 inch
Net weight	5.32 g		

Temperatures

Operating temperature, min.	-50 °C	Operating temperature, max.	100 °C
-----------------------------	--------	-----------------------------	--------

System Parameters

Product family	OMNIMATE Signal - series RSV	Type of connection	Field connection
Wire connection method	Crimp connection	Pitch in mm (P)	5 mm
Pitch in inches (P)	0.197 inch	Conductor outlet direction	180°
Number of poles	6	L1 in mm	10 mm
L1 in inches	0.394 inch	Number of rows	2
Pin series quantity	3	Touch-safe protection acc. to DIN VDE 57 106	Safe from finger touch
Touch-safe protection acc. to DIN VDE 0470	IP 20	Can be coded	Yes
Stripping length	4 mm	Plugging cycles	25
Plugging force/pole, max.	2 N	Pulling force/pole, max.	2 N

Material data

Insulating material	PA 66/6	Colour	Pebble grey
Colour chart (similar)	RAL 7032	Insulating material group	I
Comparative Tracking Index (CTI)	≥ 600	UL 94 flammability rating	V-0
Contact material	Copper alloy	Storage temperature, min.	-40 °C
Storage temperature, max.	70 °C	Operating temperature, min.	-50 °C
Operating temperature, max.	100 °C	Temperature range, installation, min.	-25 °C
Temperature range, installation, max.	100 °C		

Conductors suitable for connection

Clamping range, min.	0.13 mm ²	Clamping range, max.	3.31 mm ²
Flexible, min. H05(07) V-K	0.2 mm ²	Flexible, max. H05(07) V-K	2.5 mm ²

Rated data acc. to IEC

tested acc. to standard	IEC 60664-1, IEC 61984	Rated current, min. number of poles (Tu=20°C)	17 A
Rated current, max. number of poles (Tu=20°C)	13 A	Rated current, min. number of poles (Tu=40°C)	15 A
Rated current, max. number of poles (Tu=40°C)	11.5 A	Rated voltage for surge voltage class / pollution degree II/2	630 V
Rated voltage for surge voltage class / pollution degree III/2	400 V	Rated voltage for surge voltage class / pollution degree III/3	250 V
Rated impulse voltage for surge voltage class/ pollution degree II/2	4 kV	Rated impulse voltage for surge voltage class/ pollution degree III/2	4 kV
Rated impulse voltage for surge voltage class/ contamination degree III/3	4 kV	Short-time withstand current resistance	3 x 1s with 120 A

RSV1,6 B6 GR

Weidmüller Interface GmbH & Co. KG

Klingenbergstraße 26


D-32758 Detmold

Germany


www.weidmueller.com

Technical data

Rated data acc. to CSA

Institute (CSA)		Certificate No. (CSA)	53975-13
Rated voltage (Use group C / CSA)	600 V	Rated current (Use group C / CSA)	13 A
Wire cross-section, AWG, min.	AWG 26	Wire cross-section, AWG, max.	AWG 12
Reference to approval values	Specifications are maximum values, details - see approval certificate.		

Rated data acc. to UL 1059

Institute (UR)		Certificate No. (UR)	E92202
Reference to approval values	Specifications are maximum values, details - see approval certificate.		

Packing

Packaging	Box	VPE length	130 mm
VPE width	106 mm	VPE height	66 mm

Classifications

ETIM 6.0	EC002638	ETIM 7.0	EC002638
ETIM 8.0	EC002638	ECLASS 9.0	27-44-03-09
ECLASS 9.1	27-44-03-09	ECLASS 10.0	27-44-03-09
ECLASS 11.0	27-46-02-02	ECLASS 12.0	27-46-02-02

Important note

IPC conformity	Conformity: The products are developed, manufactured and delivered according international recognized standards and norms and comply with the assured properties in the data sheet resp. fulfill decorative properties in accordance with IPC-A-610 "Class 2". Further claims on the products can be evaluated on request.
Notes	<ul style="list-style-type: none"> • Additional variants on request • Rated current related to rated cross-section & min. No. of poles. • Spacing between rows: see hole layout • Rated cross-section depends on crimp contact used. • Rated data refer only to the component itself. Clearance and creepage distances to other components are to be designed in accordance with the relevant application standards. • Max. outer diameter of the cable (with insulation): 3.5 mm • Long term storage of the product with average temperature of 50 °C and average humidity 70%, 36 months

Data sheet**RSV1,6 B6 GR**

Weidmüller Interface GmbH & Co. KG
Klingenbergstraße 26
D-32758 Detmold
Germany

www.weidmueller.com

Technical data**Approvals**

Approvals



ROHS	Conform
UL File Number Search	UL Website
Certificate No. (UR)	E92202

Downloads

Approval/Certificate/Document of Conformity	Declaration of the Manufacturer
Engineering Data	CAD data – STEP
Engineering Data	WSCAD
Catalogues	Catalogues in PDF-format
Brochures	MB DEVICE MANUF. EN FL 72H SAMPLE SER EN PO OMNIMATE EN PO OMNIMATE EN

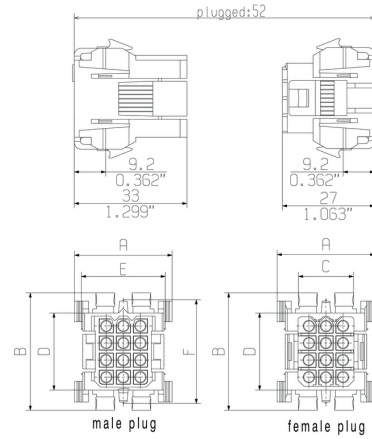
RSV1,6 B6 GR

Weidmüller Interface GmbH & Co. KG
 Klingenbergstraße 26
 D-32758 Detmold
 Germany

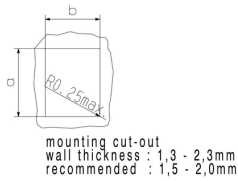
www.weidmueller.com

Drawings

Dimensional drawing

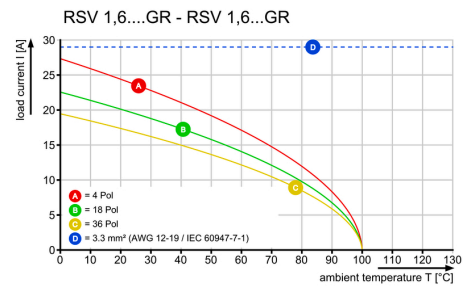


Dimensional drawing



poles	dimension male plug / female plug					mounting cut-out	
	A	B	C	D	E	a ±0.2	b ±0.2
4	23.0	25.0	10.8	12.8	17.8	20.3	18.1
5	23.0	30.0	10.8	17.6	17.8	25.1	18.1
9	29.0	30.0	16.1	17.6	23.8	25.1	24.0
12	29.0	35.0	16.1	22.6	23.8	30.0	24.0
18	29.0	46.0	16.1	33.0	23.8	40.5	24.0
24	33.0	46.0	20.6	33.0	27.8	40.5	28.3
36	33.0	61.0	20.6	48.0	27.8	55.5	28.3

Graph



RSV1,6 B6 GR

Weidmüller Interface GmbH & Co. KG
 Klingenbergstraße 26
 D-32758 Detmold
 Germany

www.weidmueller.com

Accessories

Adapters for rail mounting

**Clip on and use!**

From the circuit board in the control cabinet: snap-on or mounting feet form the link between plug-in connectors and terminal rails.

Compatible with all standard sizes: TS 15 or TS 35. Combination foot or variations available.

The quick alternative to screw connections: unbeatable ease of installation and service.

The mounting foot for the terminal rails allows the universal use of pluggable connection systems on the module, the enclosure and the control cabinet and avoids patchwork solutions.

General ordering data

Type	RSV1,6 RF6/35X7.5 SW	Version	Product data	Packaging
Order No.	1582920000	PCB plug-in connector, Accessories, Clip-in foot, black, Number of poles: 6		Box
GTIN (EAN)	4008190146870			
Qty.	10 pc(s).			
Type	RSV1,6 RF6/35X15 SW	Version	Product data	Packaging
Order No.	1690120000	PCB plug-in connector, Accessories, Clip-in foot, black, Number of poles: 6		Box
GTIN (EAN)	4008190862985			
Qty.	10 pc(s).			

Females socket contact

**For a reliable contact - CB/CS crimp contact.**

The combination of RSV housings and Weidmüller's crimp contacts enable custom adaptations to the specific requirements of your applications.

The following product options are available depending on the system:

- Safe centring of the contacts using the three-segment pin tips
- High contact reliability using four defined contact points
- Locking clasp in the cantilever spring for a secure mount of the contacts in the housing
- Pin contacts with two lengths to implement leading-pin contacts
- Up to 100 plugging cycles (tin version)
- Up to 500 plugging cycles (gold version)

The appropriate high-quality tools from Weidmüller guarantee professional processing.

General ordering data

Type	CB1,6R14-12 AU,75 I4,2	Version	Product data	Packaging
Order No.	1582460000	PCB plug-in connector, Crimp contact, Reel packaged, Socket connector, Gold-plated, Max. clamping range : 2.5 mm ²		Reel
GTIN (EAN)	4008190095895			
Qty.	3,000 pc(s).			

Creation date January 31, 2023 10:22:33 AM CET

RSV1,6 B6 GR

Weidmüller Interface GmbH & Co. KG
Klingenbergstraße 26
D-32758 Detmold
Germany

www.weidmueller.com

Accessories

Type	Version	Product data	Packaging
CB1,6E14-12 AU,75 I4,2 Order No. 1582450000 GTIN (EAN) 4008190014643 Qty. 250 pc(s).	PCB plug-in connector, Crimp contact, Individual contact, Socket connector, Gold-plated, Max. clamping range : 2.5 mm ²		Box
CB1,6R14-12 SN I4,2 Order No. 1582480000 GTIN (EAN) 4008190003289 Qty. 3,000 pc(s).	PCB plug-in connector, Crimp contact, Reel packaged, Socket connector, tinned, Max. clamping range : 2.5 mm ²		Reel
CB1,6E14-12 SN I4,2 Order No. 1582470000 GTIN (EAN) 4008190067939 Qty. 250 pc(s).	PCB plug-in connector, Crimp contact, Individual contact, Socket connector, tinned, Max. clamping range : 2.5 mm ²		Box
CB1,6E26-24 AU,75 I1,4 Order No. 1420900000 GTIN (EAN) 4008190041779 Qty. 250 pc(s).	PCB plug-in connector, Crimp contact, Individual contact, Socket connector, Gold-plated, Max. clamping range : 0.25 mm ²		Box
CB1,6E18-16 SN I3,5 Order No. 1582430000 GTIN (EAN) 4008190050450 Qty. 250 pc(s).	PCB plug-in connector, Crimp contact, Individual contact, Socket connector, tinned, Max. clamping range : 1.5 mm ²		Box
CB1,6E22-20 SN I2,5 Order No. 1425900000 GTIN (EAN) 4008190054731 Qty. 250 pc(s).	PCB plug-in connector, Crimp contact, Individual contact, Socket connector, tinned, Max. clamping range : 0.5 mm ²		Box
CB1,6E18-16 AU,75 I2,5 Order No. 1426900000 GTIN (EAN) 4008190081799 Qty. 250 pc(s).	PCB plug-in connector, Crimp contact, Individual contact, Socket connector, Gold-plated, Max. clamping range : 1.5 mm ²		Box
CB1,6R14-12 SN I3,5 Order No. 1429800000 GTIN (EAN) 4008190181710 Qty. 4,000 pc(s).	PCB plug-in connector, Crimp contact, Reel packaged, Socket connector, tinned, Max. clamping range : 2.5 mm ²		Reel
CB1,6E18-16 SN I2,5 Order No. 1427900000 GTIN (EAN) 4008190035808 Qty. 250 pc(s).	PCB plug-in connector, Crimp contact, Individual contact, Socket connector, tinned, Max. clamping range : 1.5 mm ²		Box
CB1,6E14-12 AU,75 I3,5 Order No. 1428900000 GTIN (EAN) 4008190072148 Qty. 250 pc(s).	PCB plug-in connector, Crimp contact, Individual contact, Socket connector, Gold-plated, Max. clamping range : 2.5 mm ²		Box
CB1,6E22-20 AU,75 I2,5 Order No. 1424900000 GTIN (EAN) 4008190180751 Qty. 250 pc(s).	PCB plug-in connector, Crimp contact, Individual contact, Socket connector, Gold-plated, Max. clamping range : 0.5 mm ²		Box
CB1,6R14-12 AU,75 I3,5 Order No. 1428800000 GTIN (EAN) 4008190044169 Qty. 3,000 pc(s).	PCB plug-in connector, Crimp contact, Reel packaged, Socket connector, Gold-plated, Max. clamping range : 2.5 mm ²		Reel
CB1,6E22-20 AU,75 I1,8 Order No. 1422900000 GTIN (EAN) 4008190179243 Qty. 250 pc(s).	PCB plug-in connector, Crimp contact, Individual contact, Socket connector, Gold-plated, Max. clamping range : 0.5 mm ²		Box

Creation date January 31, 2023 10:22:33 AM CET

RSV1,6 B6 GR

Weidmüller Interface GmbH & Co. KG
 Klingenbergstraße 26
 D-32758 Detmold
 Germany

www.weidmueller.com

Accessories

Type	Version	Product data	Packaging
Type CB1,6E22-20 SN I1,8 Order No. 1423900000 GTIN (EAN) 4008190008659 Qty. 250 pc(s).	Version PCB plug-in connector, Crimp contact, Individual contact, Socket connector, tinned, Max. clamping range : 0.5 mm ²		Box
Type CB1,6E18-16 AU,75 I3,5 Order No. 1582410000 GTIN (EAN) 4008190176228 Qty. 250 pc(s).	Version PCB plug-in connector, Crimp contact, Individual contact, Socket connector, Gold-plated, Max. clamping range : 1.5 mm ²		Box
Type CB1,6E26-24 SN I1,4 Order No. 1421900000 GTIN (EAN) 4008190051600 Qty. 250 pc(s).	Version PCB plug-in connector, Crimp contact, Individual contact, Socket connector, tinned, Max. clamping range : 0.25 mm ²		Box
Type CB1,6E14-12 SN I3,5 Order No. 1429900000 GTIN (EAN) 4008190071356 Qty. 250 pc(s).	Version PCB plug-in connector, Crimp contact, Individual contact, Socket connector, tinned, Max. clamping range : 2.5 mm ²		Box

Strain reliefs



For frequent load changes: the "trailer coupling" for plug-in connectors.

The strain relief can do more than just relieve the strain on conductors:

Simply clip onto the plug and

- bundle conductors
- guide cables
- use as a connection and disconnection aid

No damage to the connecting points, clear, tidy wiring and easy to handle.

User advantages: permanent heavy-duty connections for harsh industrial environments and convenient operation ensure improved system availability.

General ordering data

Type	Version	Product data	Packaging
Type RSV1,6 ZE06 BK BX Order No. 1563500000 GTIN (EAN) 4008190038472 Qty. 25 pc(s).	Version PCB plug-in connector, Accessories, Strain relief, black, Number of poles: 6		Box

Data sheet

RSV1,6 B6 GR

Weidmüller Interface GmbH & Co. KG
 Klingenbergstraße 26
 D-32758 Detmold
 Germany

www.weidmueller.com

Accessories

Coding elements



Only connects what is supposed to be connected: the right connection at the right place.

Coding elements and locking devices clearly assign connecting elements during the manufacturing process and operation

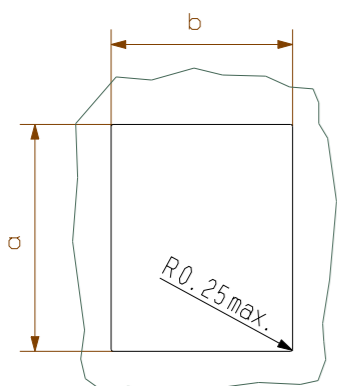
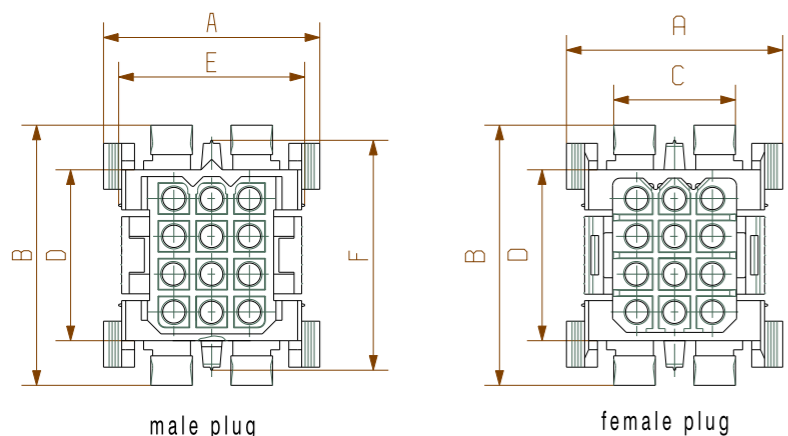
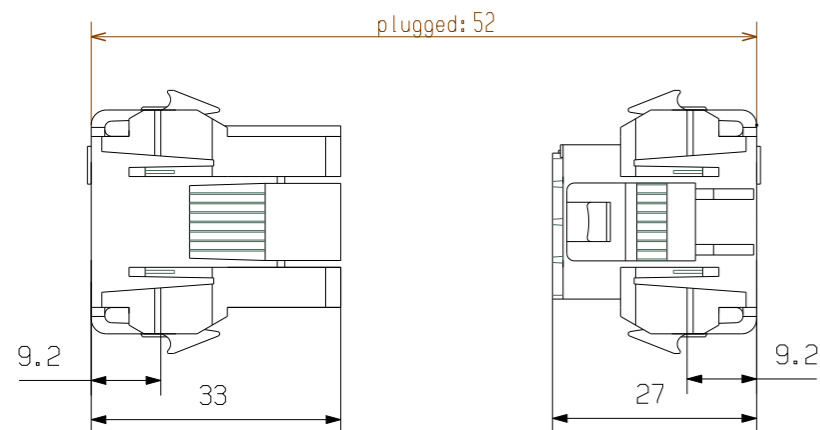
The coding elements and locking devices are inserted prior to assembly or during the cable assembly phase. The Weidmüller alternative: configure online using the variant configurator to precode prior to delivery.

Incorrect assembly on the circuit board and incorrect plugging of connecting elements is no longer possible. The advantage: no troubleshooting during manufacture and no operational errors by the user.

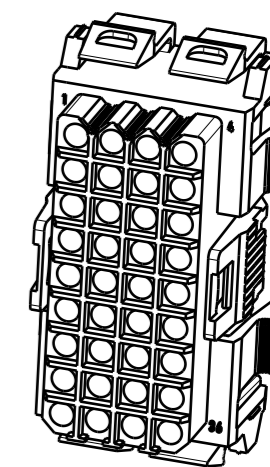
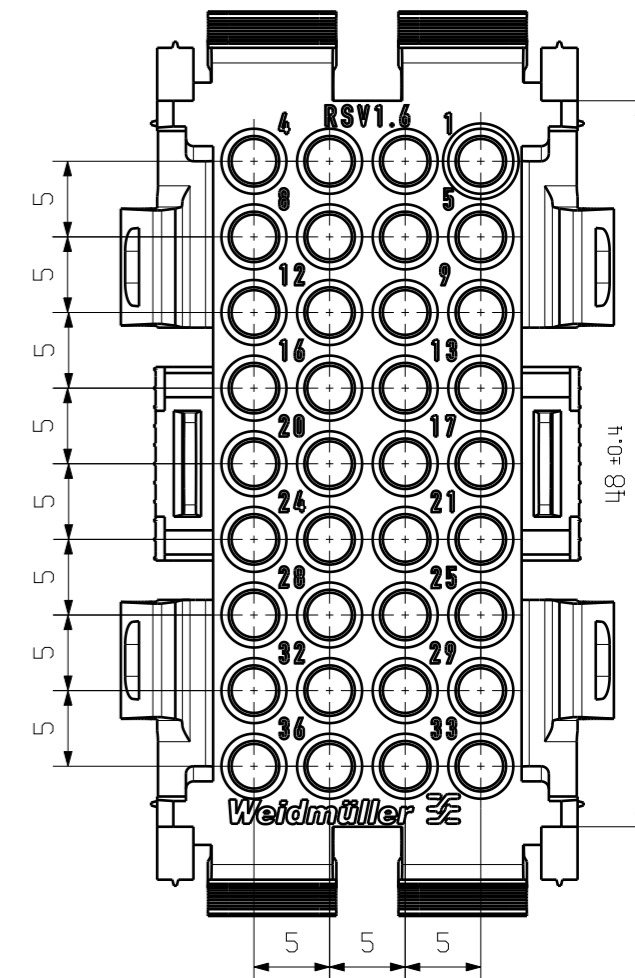
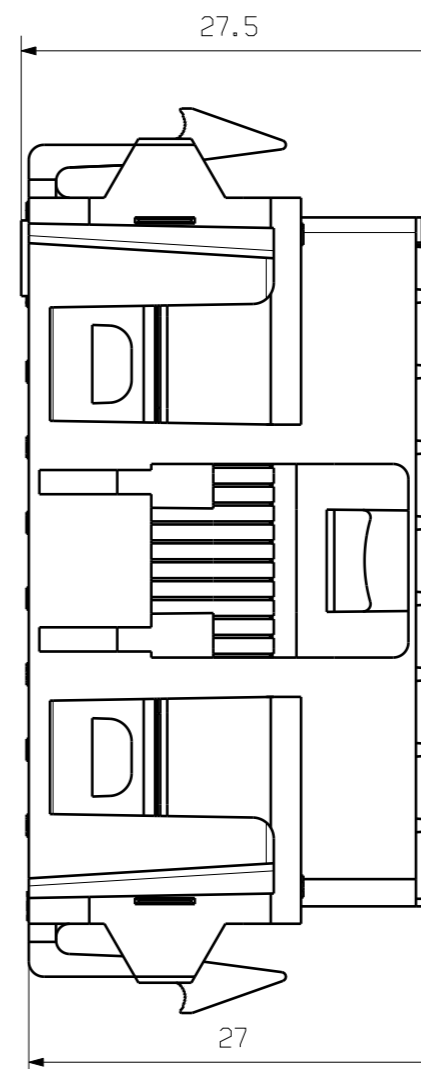
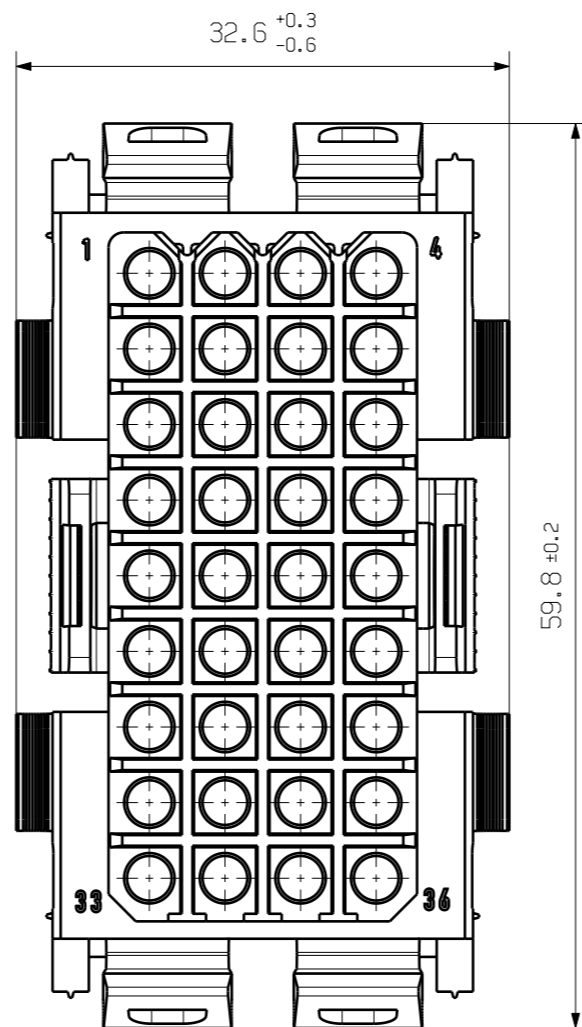
General ordering data

	Type	Version	Product data	Packaging
Type	RSV1,6 KO			
Order No.	1567430000	PCB plug-in connector, Accessories, Coding element, black, Number		Box
GTIN (EAN)	4008190169756	of poles: 1		
Qty.	50 pc(s).			

Assembly instruction:



mounting cut-out
wall thickness : 1,3 - 2,3mm
recommended : 1,5 - 2,0mm



For the mounting of PCBs, it should be noted that the rated data given in the catalogue relates only to the connection elements. The necessary creepage and clearance paths must be observed in connection with the respective applicant in accordance to VDE 0110. The current-carrying capacity and pitch tolerance is to be determined according to DIN IEC 326 part 3 very fine.

Weidmüller connectors are tested to the DIN VDE 0627 standard, and are valid for its field of application. Provided that the connectors are used to the intended purpose, all requirements with respect to the occurring of electrical, mechanical, thermic and corrosive stress will be satisfied.

poles	dimension male plug / female plug					mounting cut-out	
	A	B	C	D	E	a ± 0.3	b ± 0.3
4	23,0	25,0	10,8	12,8	17,8	20,3	18,1
6	23,0	30,0	10,8	17,6	17,8	25,1	18,1
9	29,0	30,0	16,6	17,6	23,8	25,1	24,0
12	29,0	35,0	16,6	22,6	23,8	30,0	24,0
18	29,0	46,0	16,6	33,0	23,8	40,5	24,0
24	33,0	46,0	20,6	33,0	27,8	40,5	28,3
36	33,0	61,0	20,6	48,0	27,8	55,5	28,3

General tolerance: DIN ISO 2768-mK		94488/5 29.06.18 HERTEL_S 01		Cat.no.: 1 14927 16	
		Modification			
		Drawn	Date	Name	Sheet 00 of 00 sheets
Scale: 10:1		Responsible	25.05.2011	LANG_T	RSV 1.6 B36 BUCHSENGEHAEUSE SOCKET HOUSING
Supersedes: .		Checked	12.07.2018	HERTEL_S	
		Approved		LANG_T	Product file: RSV 1.6 CRIMP
					7265