

IE-PS-RJ45-FH-180-B-1.6

Weidmüller Interface GmbH & Co. KG
Klingenbergstraße 26
D-32758 Detmold
Germany

www.weidmueller.com



RJ45 plug-in connector (no tools required) according to IEC 60603-7-51.

General ordering data

Version	RJ45 plug with piercing contacts, straight, Cat.6A / Class EA (ISO/IEC 11801 2010), EIA/TIA T568 B
Order No.	1992830000
Type	IE-PS-RJ45-FH-180-B-1.6
GTIN (EAN)	4050118377972
Qty.	10 pc(s).

Creation date January 30, 2023 12:56:40 PM CET

Catalogue status 24.01.2023 / We reserve the right to make technical changes.

IE-PS-RJ45-FH-180-B-1.6

Weidmüller Interface GmbH & Co. KG

Klingenbergstraße 26

D-32758 Detmold

Germany

www.weidmueller.com

Technical data

Dimensions and weights

Net weight	3.4 g
------------	-------

Temperatures

Operating temperature	-40 °C...85 °C	Operating temperature, min.	-40 °C
Operating temperature, max.	85 °C		

General data

Outlet direction	straight	Connection 1	RJ45
Connection 2	Piercing	Wiring	EIA/TIA T568 B
Housing main material	Zinc diecast, nickel-plated	Speed	10 GBit
Insulation cross-section, min.	1.1 mm	Insulation cross-section, max.	1.6 mm
Category	Cat.6A / Class EA (ISO/IEC 11801 2010)	Contact surface	Gold over nickel
Connection diameter, solid	0.51...0.64	Conductor connection cross-section, solid (AWG)	AWG 24...AWG 22
Connection diameter, flexible	0.46...0.76 mm	Conductor connection cross-section, flexible (AWG)	AWG 27...AWG 22
Conductor connection cross-section, extremely flexible	0.61...0.78 mm, Approval of the cable by Weidmüller necessary	Conductor connection cross-section, extremely flexible (AWG)	AWG 24...AWG 22, Approval of the cable by Weidmüller necessary
Note, very finely stranded line connection	Approval of the cable by Weidmüller necessary	Sheath diameter, min.	5 mm
Sheath diameter, max.	9 mm	Shielding	360°; all-round enclosure
Protection degree	IP20	Plugging cycles	750
Ability to reconnect	≤ 4 cycles (with the same cross-section)		

Electrical properties

Contact resistance	≤ 20 mΩ	Current-carrying capacity at 50 °C	1 A
Dielectric strength, contact / contact	≥ 1000 V DC	Dielectric strength, contact / shield	≥ 1500 V DC
Insulation strength	≥ 500 MΩ	PoE / PoE+	conforming to IEEE 802.3at

General standards

Certificate no. (cULus)	E471884	Connector standard	IEC 60603-7-51
-------------------------	---------	--------------------	----------------

Classifications

ETIM 6.0	EC001121	ETIM 7.0	EC001121
ETIM 8.0	EC001121	ECLASS 9.0	27-44-03-90
ECLASS 9.1	27-44-03-90	ECLASS 10.0	27-44-03-90
ECLASS 11.0	27-44-03-90	ECLASS 12.0	27-44-03-90

IE-PS-RJ45-FH-180-B-1.6

Weidmüller Interface GmbH & Co. KG
Klingenbergstraße 26
D-32758 Detmold
Germany

www.weidmueller.com

Technical data

Approvals

Approvals



ROHS	Conform
UL File Number Search	UL Website
Certificate no. (cULus)	E471884

Downloads

Engineering Data	CAD data – STEP
Engineering Data	WSCAD
User Documentation	MAN IE GUIDE DE MAN IE GUIDE EN Manual
Catalogues	Catalogues in PDF-format
Brochures	MB FREECONCONTACT EN FL FIELDWIRING EN PI PROFINET CABLING EN PI PROFINET CABLING EN

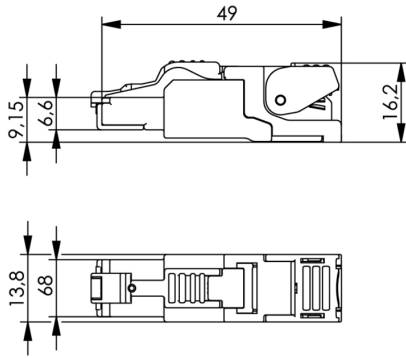
IE-PS-RJ45-FH-180-B-1.6

Weidmüller Interface GmbH & Co. KG
Klingenbergstraße 26
D-32758 Detmold
Germany

www.weidmueller.com

Drawings

Dimensioned drawing



IE-PS-RJ45-FH-180-B-1.6

Weidmüller Interface GmbH & Co. KG
 Klingenbergstraße 26
 D-32758 Detmold
 Germany

www.weidmueller.com

Accessories

Substitute wire manager

RJ45 plug-in connector (no tools required) according to IEC 60603-7-51.



General ordering data

Type	IE-PI-RJ45-FH-B-1.6	Version
Order No.	1992900000	Substitute wire manager, Cat.6A / Class EA (ISO/IEC 11801 2010),
GTIN (EAN)	4050118378146	EIA/TIA T568 B
Qty.	30 pc(s).	
Type	IE-PI-RJ45-FH-A-1.6	Version
Order No.	1992880000	Substitute wire manager, Cat.6A / Class EA (ISO/IEC 11801 2010),
GTIN (EAN)	4050118378030	EIA/TIA T568 A
Qty.	30 pc(s).	
Type	IE-PI-RJ45-FH-A-1.1	Version
Order No.	1992920000	Substitute wire manager, Cat.6A / Class EA (ISO/IEC 11801 2010),
GTIN (EAN)	4050118377965	EIA/TIA T568 A
Qty.	30 pc(s).	
Type	IE-PI-RJ45-FH-P-1.6	Version
Order No.	1992910000	Substitute wire manager, Cat.5 (ISO/IEC 11801), PROFINET
GTIN (EAN)	4050118378047	
Qty.	30 pc(s).	
Type	IE-PI-RJ45-FH-B-1.1	Version
Order No.	1992930000	Substitute wire manager, Cat.6A / Class EA (ISO/IEC 11801 2010),
GTIN (EAN)	4050118378139	EIA/TIA T568 B
Qty.	30 pc(s).	

Dust caps

For protecting your devices against dust and dirt.



Dust caps

General ordering data

Type	IE-PP-RJ45
Order No.	2552580000
GTIN (EAN)	4050118562583
Qty.	10 pc(s).

IE-PS-RJ45-FH-180-B-1.6

Weidmüller Interface GmbH & Co. KG
Klingenbergstraße 26
D-32758 Detmold
Germany

www.weidmueller.com

Accessories**Pressing tool**

When working with live voltages, you must follow special guidelines and use special tools - tools which have been specially produced and tested for this purpose. Weidmüller offers a complete line of pliers which comply with national and international testing standards. All pliers are produced and tested according to DIN EN 60900. The pliers are ergonomically designed to fit to the hand form, and thus feature an improved hand position. The fingers are not pressed together - this results in less fatigue during operation.

General ordering data

Type	PWZ RJ45	Version
Order No.	1118040000	Pressing tools
GTIN (EAN)	4032248899197	
Qty.	1 pc(s).	