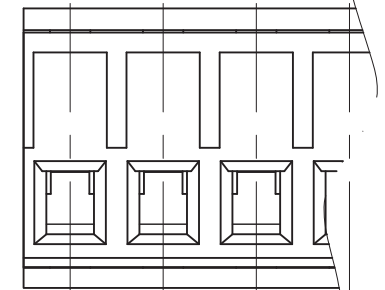
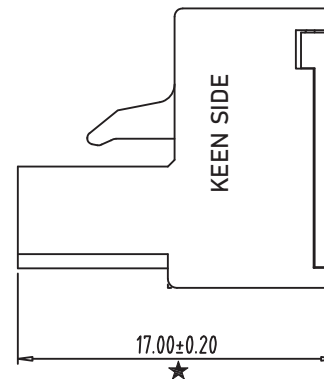
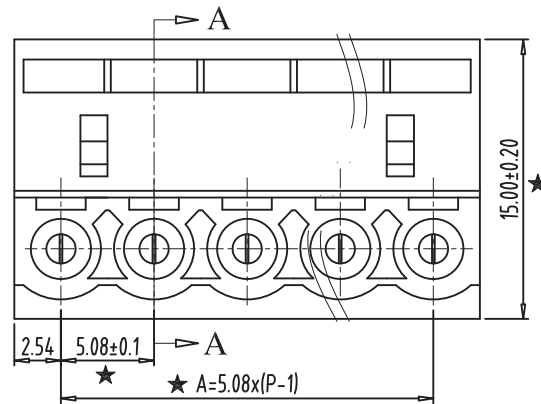
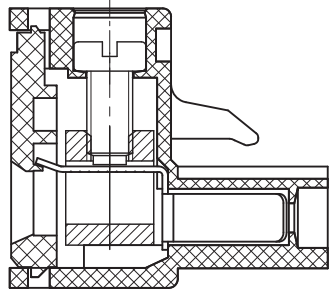
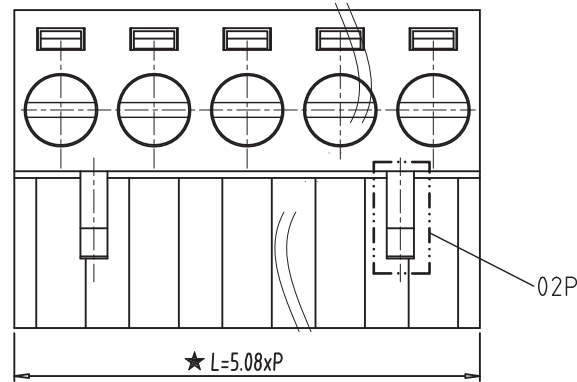
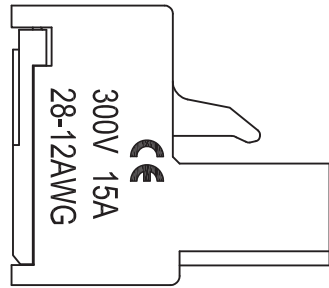


NOTES:

1. Rating:300V 15A;
2. Insulation Withstands Voltage: AC2000V/MIN
3. Insulation Resistance: 500MΩ or more at DC500V
4. Using Temperature Range: -40° C/+105° C
5. Screw Torque Vlaue:0.4N.m
6. Suitable Electric Wire: 28~12AWG
7. "★" is the important dimension.



KSE - 2EDGK - 5.08 - XXP - (T) - (S)

Slot screw
Block: steel, Zn plated

Total Pitch Tolerances in mm										Nominal dimension range in mm										⊥	≡	-	//						
over 0 to 30	over 30 to 53	over 53 to 70	over 70 to 90	over 90 to 115	over 115 to 150	over 150 to 250	over 250 to 350	over 350 to 500	over 500 to 1000	over 1000 to 1500	over 1500 to 2000	over 2000 to 2500	over 2500 to 3000	over 3000 to 3500	over 3500 to 4000	over 4000 to 4500	over 4500 to 5000	over 5000 to 10000	over 10000 to 15000	over 15000 to 20000	over 20000 to 30000	over 30000 to 50000	over 50000 to 100000	over 100000 to 150000	over 150000 to 200000	over 200000 to 300000	over 300000 to 500000	over 500000 to 1000000	
±0.18	±0.20	±0.25	±0.3	±0.35	±0.4	±0.60	±0.70	±0.85	±0.20	±0.25	±0.30	±0.35	±0.4	±0.44	±0.55	±0.70	±0.80	±0.90	0.2	0.3	0.3	0.3	0.2	0.3	0.5				

ITEM	NAME OF PART	NO. OF PART	Q'TY	MATERIAL	NOTE
DWG.	ZX	DATE	2020/04/21	SIZE	A4 UNITS mm SHEET/OF 1/1
CHK.		DATE		SCALE	2.5:1
APP.		DATE		NAME	KSE-2EDGK-5.08-XXP
				DWGNO.	

