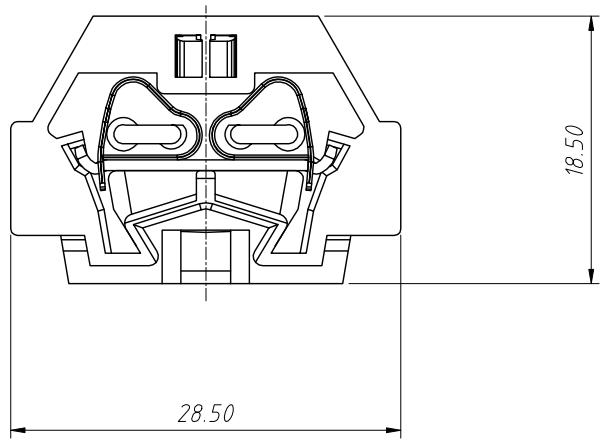
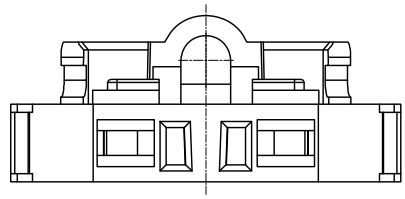
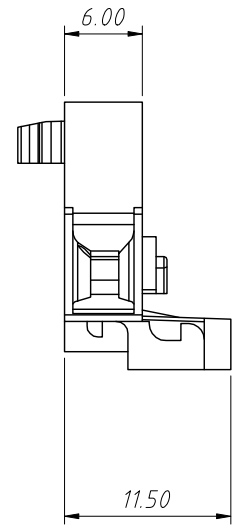


1  
RoHS Compliance



Material:  
Housing: PA66, UL 94 V-0, Gray

Electrical Characteristics:  
Rated voltage: 500V  
Rated current: 24V  
Length: 28.50mm  
Strip length: 8mm ~ 9mm  
Wire range: 14-28AWG (0.08-2.5mm<sup>2</sup>)



ANGLE TOLERANCE	PROJECTION	Description:	Through terminal blocks, with snap-in mounting feet of side-entry	
±3°				
GENERAL TOLERANCE	UNITS	mm	KLS P/N:	L-KLS2-DF102151
x.x ±0.30	SHEET SIZE	A4		
x.xx ±0.20	Draw:	Daniel	2022-05-15	NingBo KLS ELECTRONIC CO.,LTD.
x.xxx ±0.10	Check:	Daniel	2022-05-15	