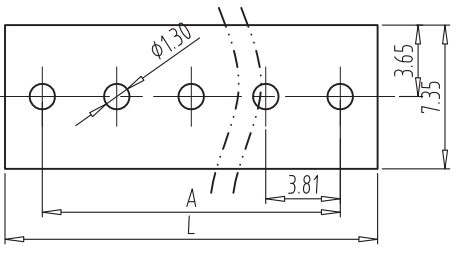
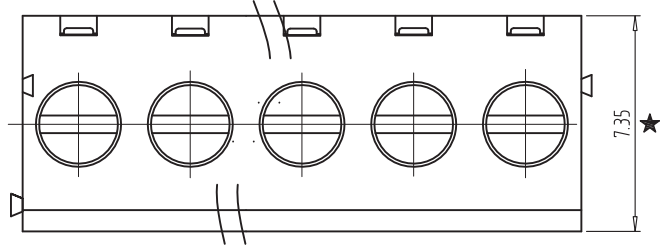


REV	CONTENT	CHK	DATE
-----	---------	-----	------

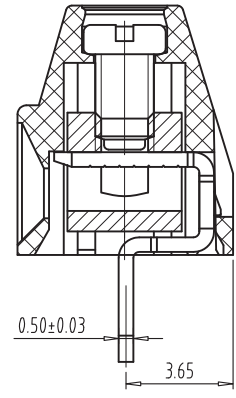
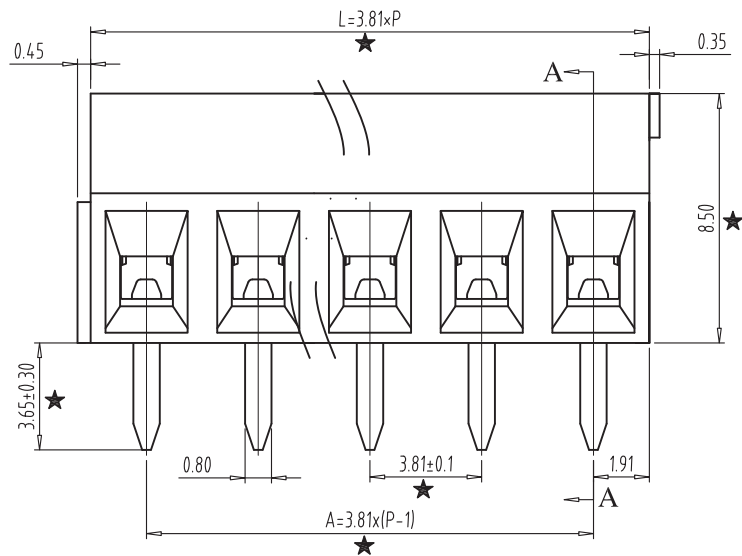
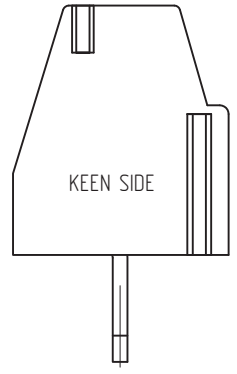


PCB LAYOUT

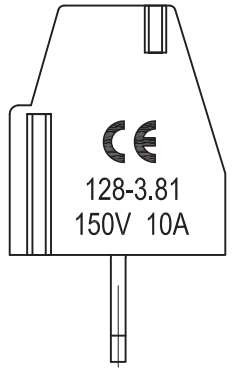


NOTES:

1. Rating:150V 10A;
2. Insulation Withstands Voltage: AC2000V/MIN
3. Insulation Resistance: 500MΩ or more at DC500V
4. Using Temperature Range: -40° C—+105° C
5. Screw Torque Value:0.2N.m
6. Suitable Electric Wire: 26-16AWG
7. "★" is the important dimension.



SECTION:A-A



Total Pitch Tolerances in mm										Nominal dimension range in mm										⊥	≡	—	//							
over 0	over 30	over 53	over 70	over 90	over 115	over 150	over 250	over 350	over 500	over 0	over 30	over 53	over 70	over 90	over 115	over 150	over 200	over 250	over 320	over 0	over 10	all	over 0	over 100	over 150	over 150				
±0.18	±0.25	±0.30	±0.35	±0.40	±0.45	±0.60	±0.70	±0.85	±0.20	±0.25	±0.30	±0.35	±0.44	±0.55	±0.70	±0.80	±0.90	0.2	0.3	0.3	0.2	0.3	0.5							

ITEM	NAME OF PART	NO. OF PART	Q'TY	MATERIAL	NOTE
DWG.	SK	DATE	SIZE	A4 UNITS mm	SHEET/OF 1/1
CHK.		DATE	SCALE	4:1	
APP.		DATE			
KEEN SIDE ELECTRONICS					
			NAME	KSE-381-3.81-XX	
			DWGNO.		