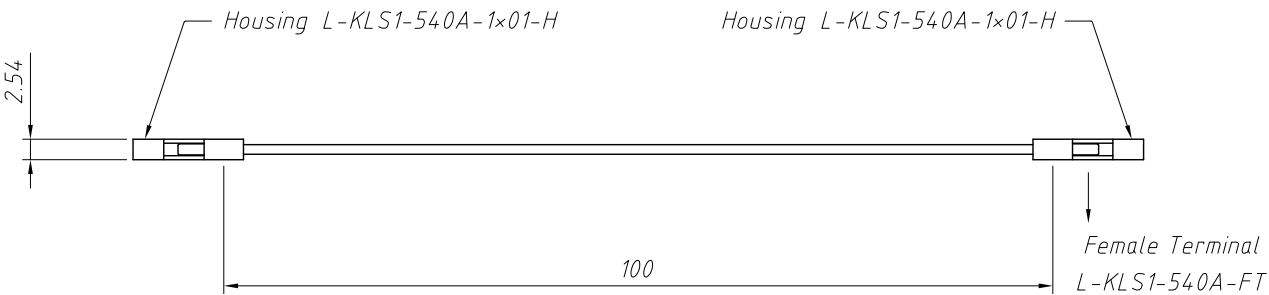


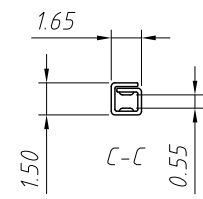
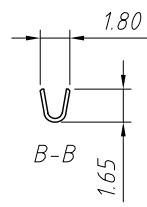
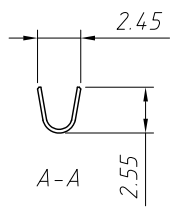
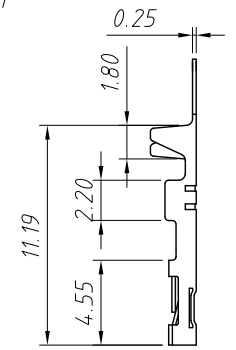
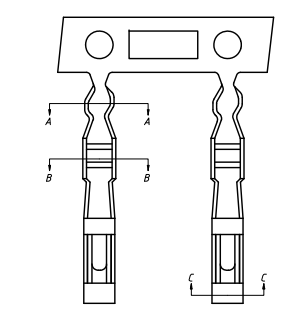
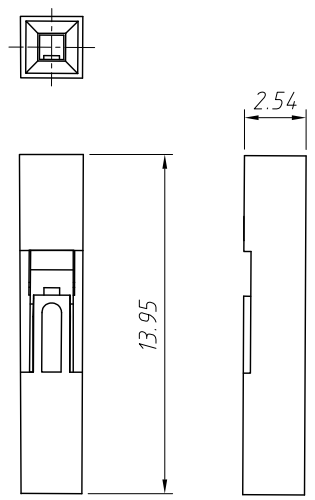
1
RoHS Compliance



Basic Info.
 specification:female to female
 Color:Black Red Yellow
 Wire Length:100mm
 Material:PVC
 Diameter of Pin:0.6mm
 Diameter of Hole:0.6mm
 Inside the PVC:Copper wire

Housing L-KLS1-540A-1x01-H

Female Terminal L-KLS1-540A-FT

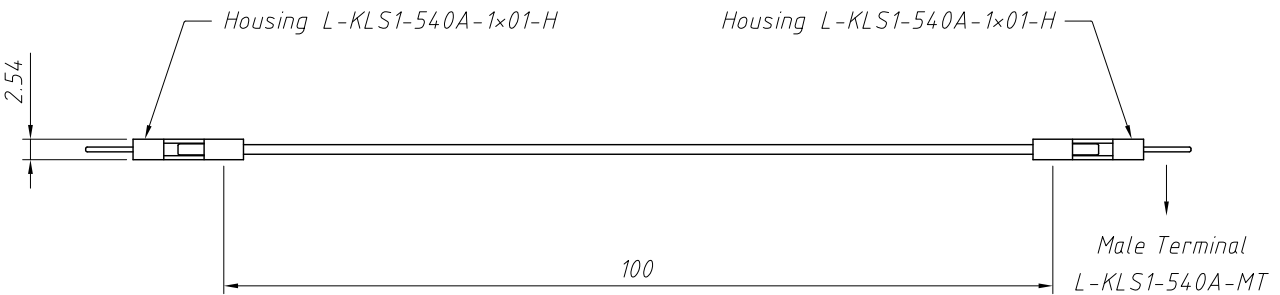


Order Information:
 L-KLS17-SBJW03-FF-100-B
 L: RoHS
 Jumper Wire
 Type:
 FF=Female To Female
 MM=Male To Male
 MF=Male To Female
 Wire Length: 100mm
 Color:
 B-Black R-Red Y-Yellow

ANGLE TOLERANCE	PROJECTION	Description:	
±3°		Female To Female Breadboard Jumper Wire	
GENERAL TOLERANCE	UNITS	mm	KLS P/N:
x.x ±0.30	SHEET SIZE	A4	L-KLS17-SBJW03-FF-100-B
x.xx ±0.20	Draw:	Daniel	2020-11-11
x.xxx ±0.10	Check:	Daniel	2020-11-11

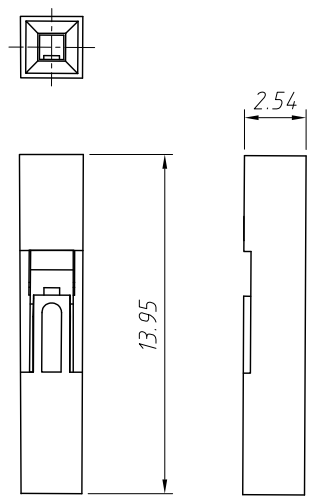


1
RoHS Compliance

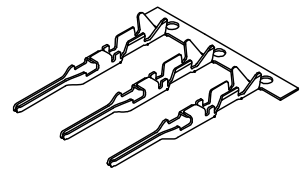
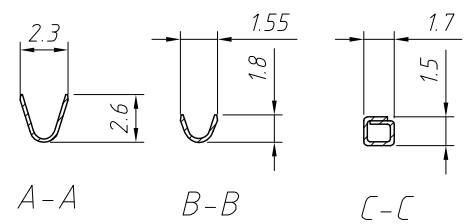
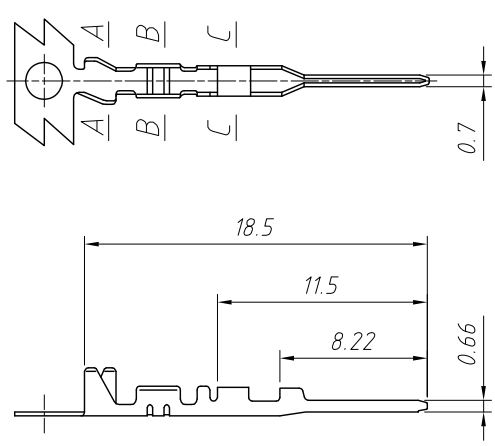


Basic Info.
 specification: female to female
 Color: Black Red Yellow
 Wire Length: 100mm
 Material: PVC
 Diameter of Pin: 0.6mm
 Diameter of Hole: 0.6mm
 Inside the PVC: Copper wire

Housing L-KLS1-540A-1x01-H



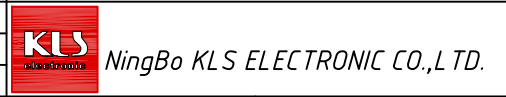
Male Terminal L-KLS1-540A-MT



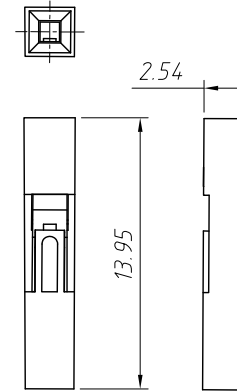
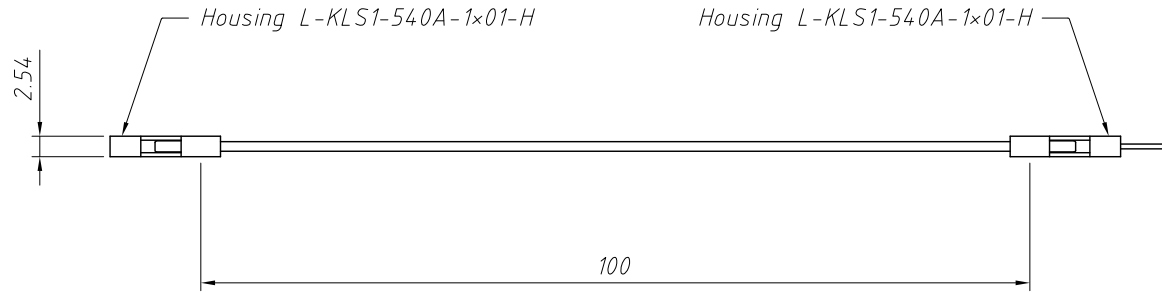
Order Information:
 L-KLS17-SBJW03-MM-100-B

L: RoHS
 Jumper Wire
 Type:
 FF=Female To Female
 MM=Male To Male
 MF=Male To Female
 Wire Length: 100mm
 Color:
 B-Black R-Red Y-Yellow

ANGLE TOLERANCE	PROJECTION	Description:	
±3°		Male To Male Breadboard Jumper Wire	
GENERAL TOLERANCE	UNITS	mm	KLS P/N:
x.x ±0.30	SHEET SIZE	A4	L-KLS17-SBJW03-MM-100-B
x.xx ±0.20	Draw:	Daniel	2020-11-11
x.xxx ±0.10	Check:	Daniel	2020-11-11



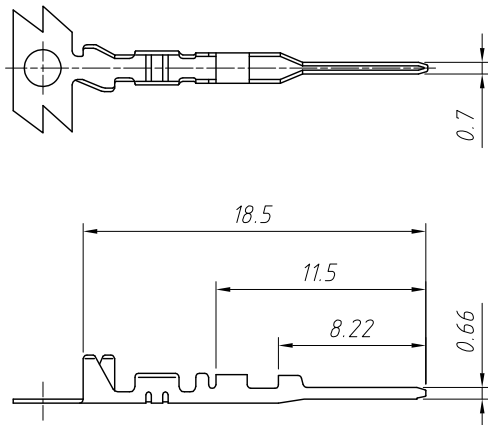
1 RoHS Compliance



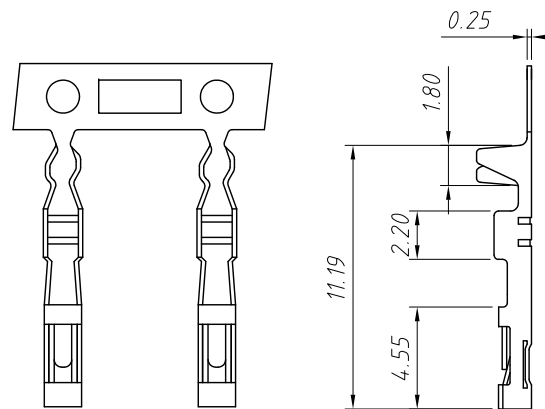
Housing L-KLS1-540A-1x01-H

Basic Info.
 specification: female to female
 Color: Black Red Yellow
 Wire Length: 100mm
 Material: PVC
 Diameter of Pin: 0.6mm
 Diameter of Hole: 0.6mm
 Inside the PVC: Copper wire

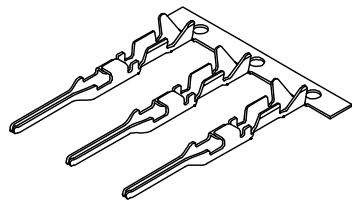
Male Terminal L-KLS1-540A-MT



Female Terminal L-KLS1-540A-FT



Order Information:
 L-KLS17-SBJW03-MF-100-B
 L: RoHS
 Jumper Wire
 Type: _____
 FF=Female To Female
 MM=Male To Male
 MF=Male To Female
 Wire Length: 100mm
 Color: _____
 B-Black R-Red Y-Yellow



ANGLE TOLERANCE	PROJECTION	Description:	
±3°		Male To Female Breadboard Jumper Wire	
GENERAL TOLERANCE	UNITS	mm	KLS P/N:
x.x ±0.30	SHEET SIZE	A4	L-KLS17-SBJW03-MF-100-B
x.xx ±0.20	Draw:	Daniel	2020-11-11
x.xxx ±0.10	Check:	Daniel	2020-11-11



NingBo KLS ELECTRONIC CO.,L TD.