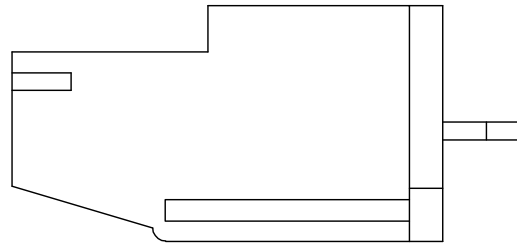
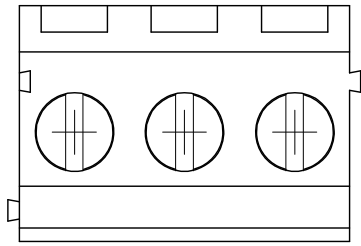


1  
RoHS Compliance

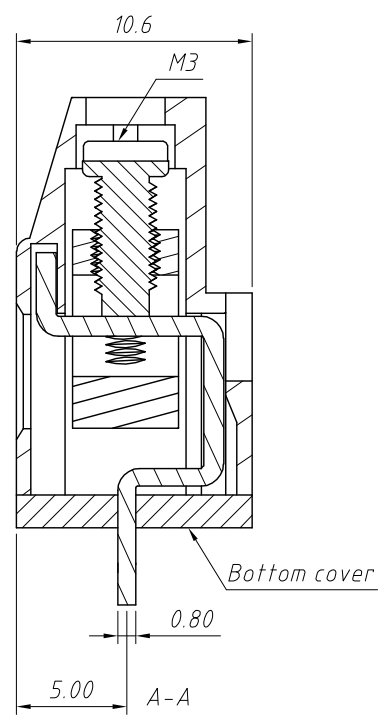
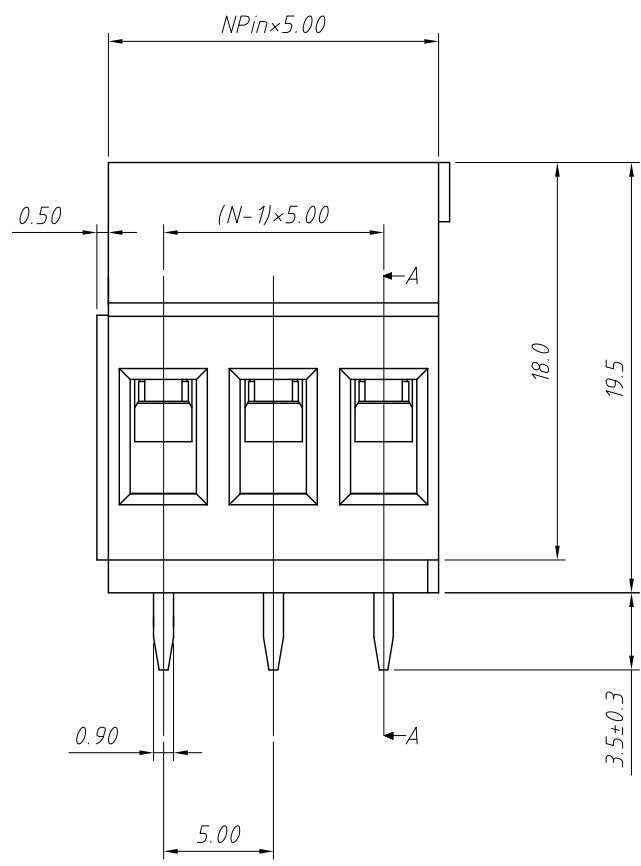


**Material**  
 Housing: PA66, UL94V-0  
 Pin header: Brass, Tin plated  
 Shrapnel: Stainless Steel  
 Screws: M3.0 steel Zinc plated  
 Wire Range: 12-30AWG, 2.5mm<sup>2</sup>  
 Stripping Length: 6-7 mm  
 Poles: 02-03P  
 Pitch: 5.00mm

**Electrical**  
 Rated voltage: 300V  
 Rated current: 20A  
 Maximum torque: 0.4Nm(3.5Lb.in)  
 Withstand voltage: AC1600V / 1min

**Mechanical**  
 Temp. Range: -40 °C ~ +105 °C

**Order Information:**  
 L-KLS2-129D-5.00-03P-4 C G  
 L: RoHS  
 5.00-5.00mm Pitch  
 XX-No. of 02~03 pins  
 Color: 4- Green  
 Screw:  
 S-Slot Screw C-Cross Screw  
 SC-Composit slot screws (+ -)  
 G-New mold



ANGLE TOLERANCE	PROJECTION	Description:	
±3°		5.00mm Screw Terminal Block Rising clamp	
GENERAL TOLERANCE	UNITS	mm	KLS P/N:
x.x ±0.30	SHEET SIZE	A4	L-KLS2-129D-5.00-03P-4CG
x.xx ±0.20	Draw:	Daniel	2020-11-11
x.xxx ±0.10	Check:	Daniel	2020-11-11

