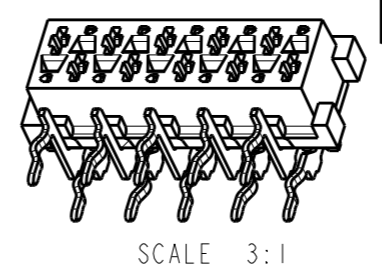
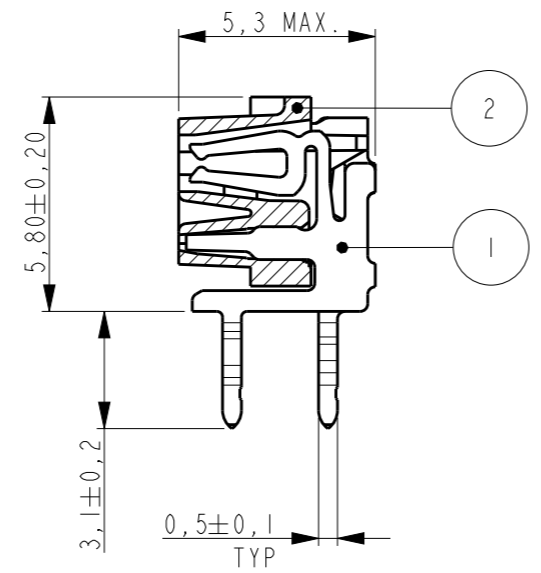
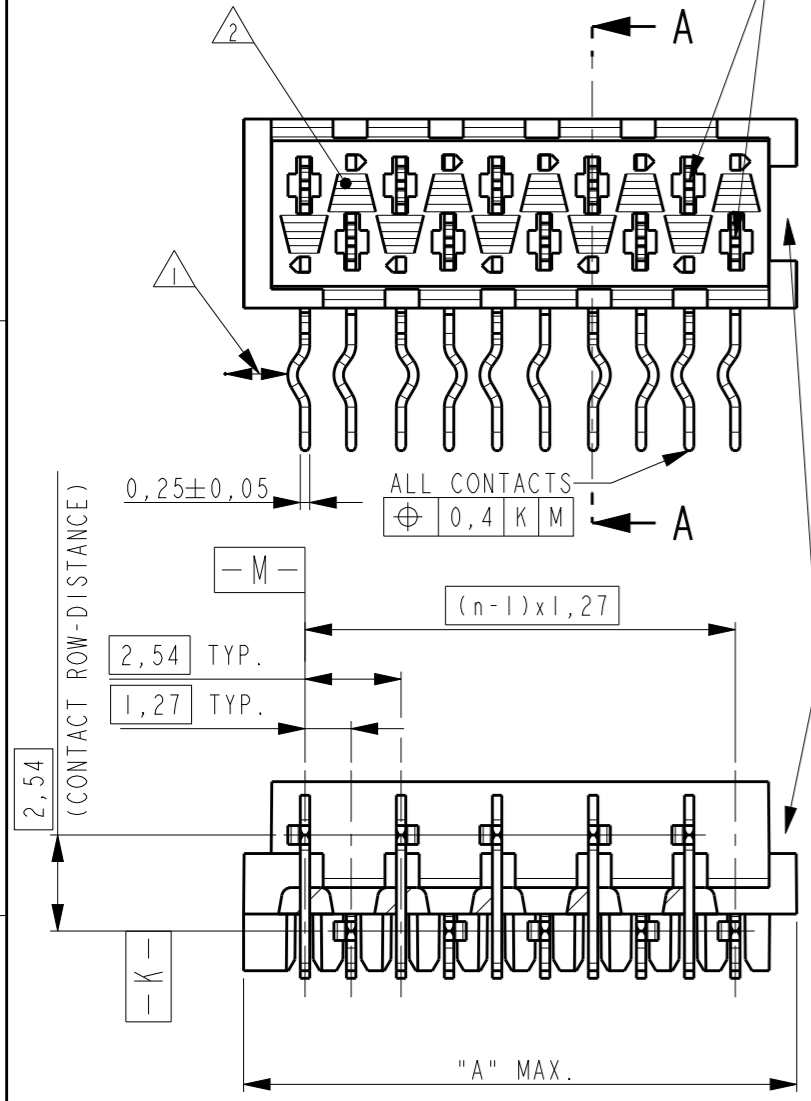


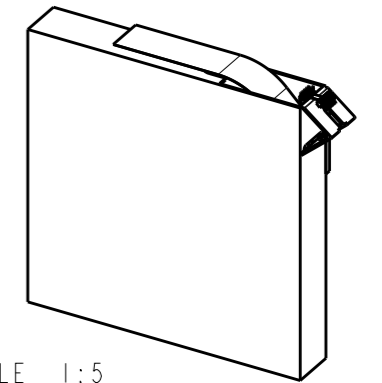
THIS DRAWING IS UNPUBLISHED. RELEASED FOR PUBLICATION  
 © COPYRIGHT - BY - ALL RIGHTS RESERVED.

|     |      |           |     |  |           |     |      |
|-----|------|-----------|-----|--|-----------|-----|------|
| LOC | DIST | REVISIONS |     |  |           |     |      |
| H   | -    | P         | LTR | DESCRIPTION                              | DATE      | DWN | APVD |
|     |      | WI        |     | Adhesive tape width changed back to 6 mm | 05FEB2016 | SS  | PS   |

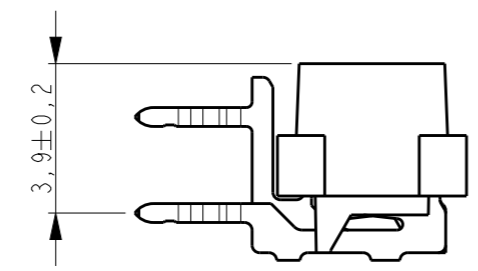
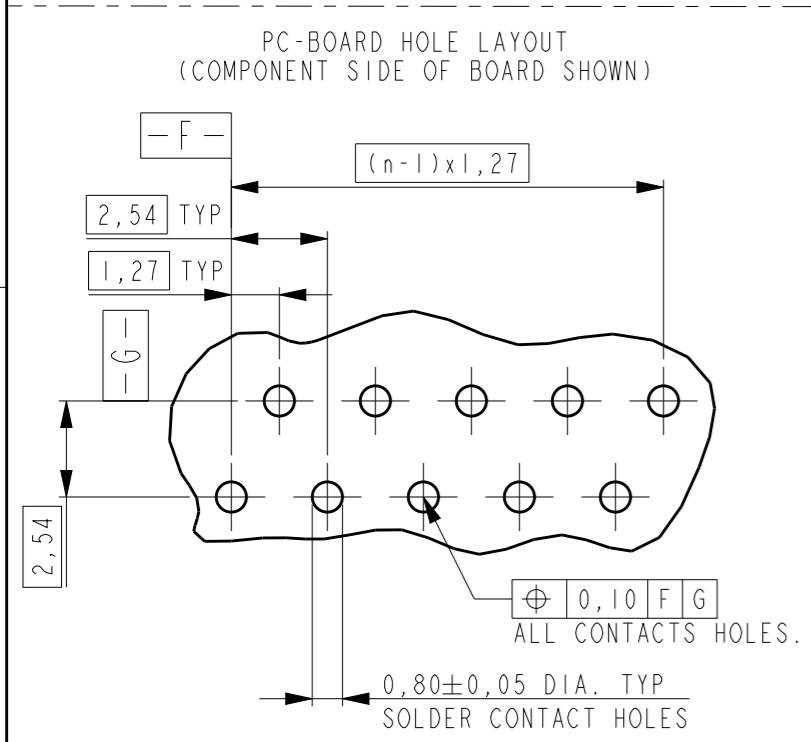
REFERENCE MATING INTERFACE PATTERN:  
 1,27 STAGGERED PITCH x 1,5 ROW-DISTANCE.



| PARTNUMBER BOX PACKAGING | PARTNUMBER REEL PACKAGING | NR OF POS "n" | DIMENSION "A" MAX |
|--------------------------|---------------------------|---------------|-------------------|
| 7-215460-4               | 215460-4                  | 4             | 7,1               |
| 7-215460-6               | 215460-6                  | 6             | 9,7               |
| 7-215460-8               | 215460-8                  | 8             | 12,2              |
| 8-215460-0               | 1-215460-0                | 10            | 14,7              |
| 8-215460-2               | 1-215460-2                | 12            | 17,3              |
| 8-215460-4               | 1-215460-4                | 14            | 19,8              |
| 8-215460-6               | 1-215460-6                | 16            | 22,4              |
| 8-215460-8               | 1-215460-8                | 18            | 24,9              |
| 9-215460-0               | 2-215460-0                | 20            | 27,4              |

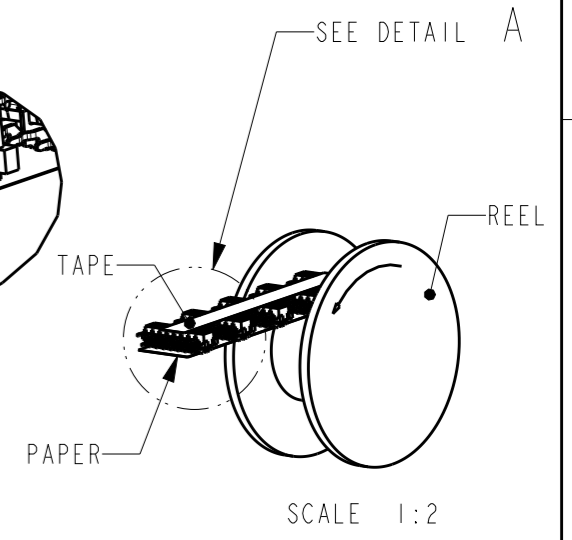
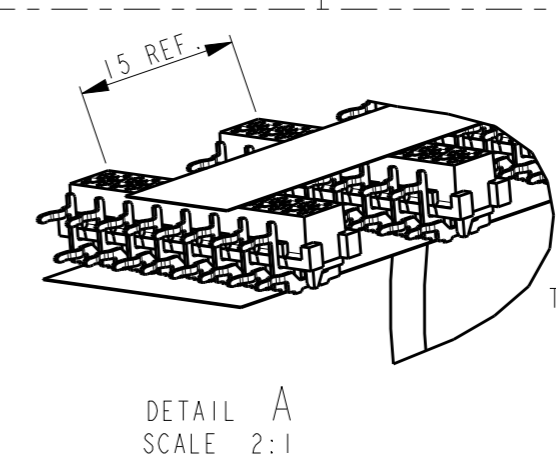


BOX PACKAGING  
 250 CONNECTORS PER BOX.  
 FOR ALL PARTNUMBERS



NOTES:

- 1 IN EACH ROW, DIRECTION OF KINKS STARTS RANDOM. IN EACH ROW, SEQUENTIAL CONTACTS HAVE OPPOSITE KINK DIRECTIONS.
- 2 CORING-OUTS FOR MANUFACTURING PURPOSE ONLY. SHAPE MAY VARY, BUT IS NOT FUNCTIONAL FOR THE APPLICATION.
- 3 SHOWN IS A 10 POSITION CONNECTOR.
- 4 THIS AREA IS RESERVED FOR CONTACTS.



REEL PACKAGING  
 DEREELING DIRECTION AND CONNECTOR POSITION.  
 QUANTITY 2500 CONNECTORS PER REEL FOR ALL PARTNUMBERS,

THIS DRAWING IS A CONTROLLED DOCUMENT.

|             |  |
|-------------|--|
| DIMENSIONS: | TOLERANCES UNLESS OTHERWISE SPECIFIED: |
| mm          | 0 PLC ±-                               |
|             | 1 PLC ±-                               |
|             | 2 PLC ±-                               |
|             | 3 PLC ±-                               |
|             | 4 PLC ±-                               |
|             | ANGLES ±-                              |
| MATERIAL    | FINISH                                 |
| SEE TABLE   | SEE TABLE                              |

|                  |                |   |                 |
|------------------|----------------|---|-----------------|
| 2                | HOUSING        | G.F. POLYESTER PBT  | RED             |
| 1                | FEMALE CONTACT | PHOSPHOR BRONZE   | TIN OVER NICKEL |
| ITEM NO.         | DESCRIPTION    | MATERIAL  | FINISH / COLOR  |
| DWN              | M. GOSSELINK   |   |                 |
| CHK              |                |   |                 |
| APVD             |                |   |                 |
| PRODUCT SPEC     | 108-19052      | NAME  |                 |
| APPLICATION SPEC |                | CONNECTOR, FEMALE-ON-BOARD SIDE-ENTRY, THRU-HOLE, Micro-MatCh |                 |
| WEIGHT           |                | SIZE  | CAGE CODE       |
|                  |                | A3  | 00779           |
|                  |                | DRAWING NO  | RESTRICTED TO   |
|                  |                | C=215460  |                 |
| CUSTOMER DRAWING | SCALE          | SHEET   | OF              |
|                  | 5:1            | 1   | 1               |
|                  |                | REV   | WI              |

# Mouser Electronics

Authorized Distributor

Click to View Pricing, Inventory, Delivery & Lifecycle Information:

[TE Connectivity:](#)

[8-215460-0](#)