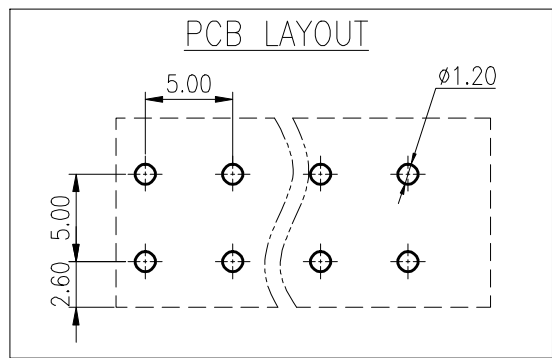
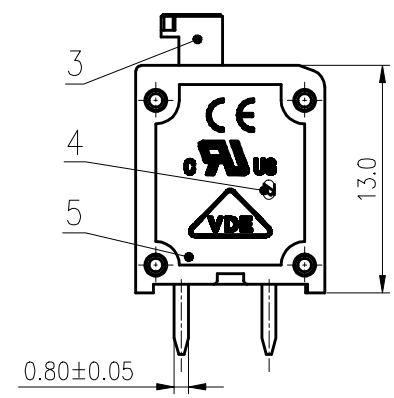
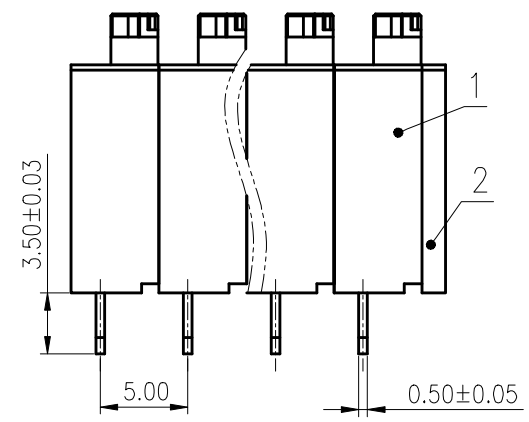
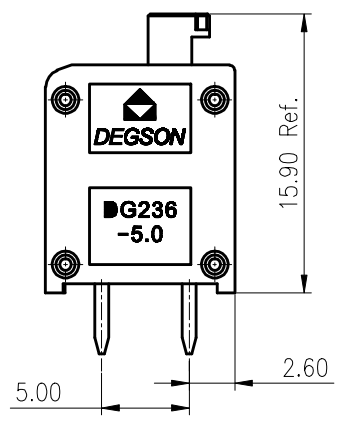
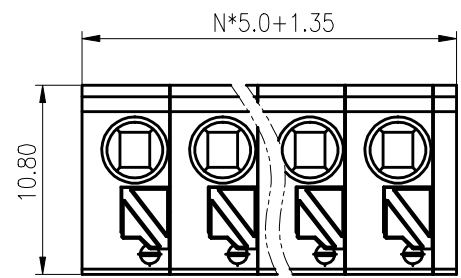


未注公差/General tolerances(mm)												0.1/10 ±2'	
0~3	>3~6	>6~10	>10~18	>18~30	>30~50	>50~80	>80~120	>120~180	>180~250	>250~315	>315~400		>400~500
±0.12	±0.18	±0.22	±0.26	±0.31	±0.37	±0.57	±0.80	±0.93	±1.05	±1.15	±1.60	±2.20	±2.50



ITEM	NAME OF PART	MATERIAL	NOTES
5	Pin header	Copper	Sn plated
4	Spring	Stainless steel	
3	Button	PA66	UL94V-0
2	Cover	PA66	UL94V-0
1	Housing	PA66	UL94V-0

UL 标准/UL Standard:	B	C	D
额定电压/电涌/Rated Voltage(V)/Current(A)	300/8	300/8	300/8
IEC 标准/IEC Standard:			
过压类别/Overvoltage Category/污染等级/Pollution Degree	III/3	III/2	II/2
额定电压/电涌/Rated Voltage(V)/Current(A)	/	400/10	/
工频耐压/Withstanding Voltage(V/Min)	/	AC2500	/
线径范围(硬线和软线)/Wire Range(rigid and flexible)(mm <sup>2</sup> /AWG)	0.2~1.5/20~16		
间距/Pitch(mm)/线数范围/Poles	5.0/N=N=02~24P		
剥线长度/Stripping length(mm)	8~9		
使用温度范围/Operating temperature(°C)	-40~+105		
符合RoHS环保要求/Conform to RoHS	Yes		

MATERIAL: /	SURFACE: /		
MAT NO.: /	<b>宁波高松电子有限公司</b> <b>NINGBO DEGSON ELECTRICAL CO., LTD</b>		
STATUS: /			
APPD: LiGL 2020.05.27	NAME: <b>DG236-5.0-XXP-1Y-00A(H)</b>		
CHKD: Mek 2020.05.27	DRAWING NO.: DG236-5.0-C01		
DRFT: LuoXM 2020.05.27	REV	T8	
SIZE: A4                  TYPE: CUSTOMER DRAWING         SCALE: 2.5:1         SHEET 1/1			

REV	ECN	DESCRIPTION	DRFT	DATE