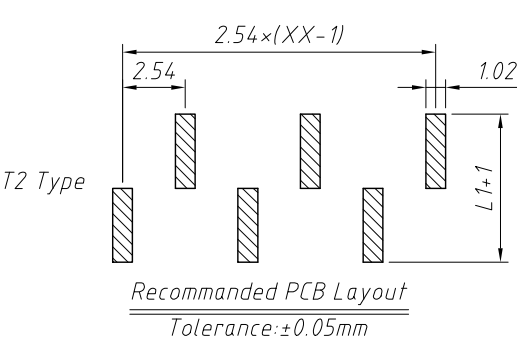
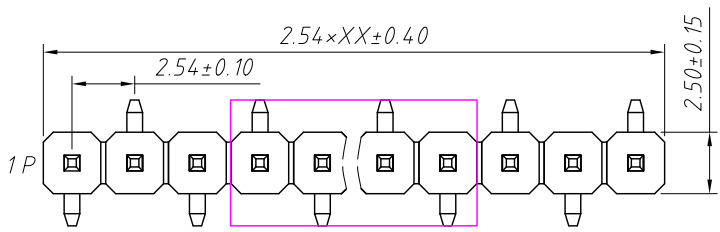
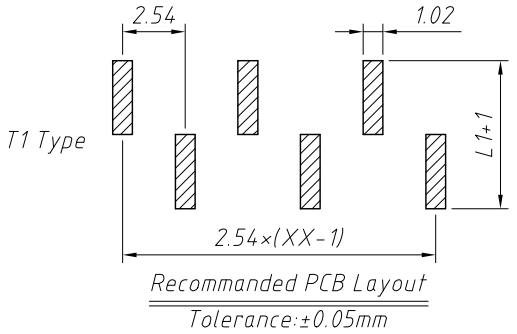
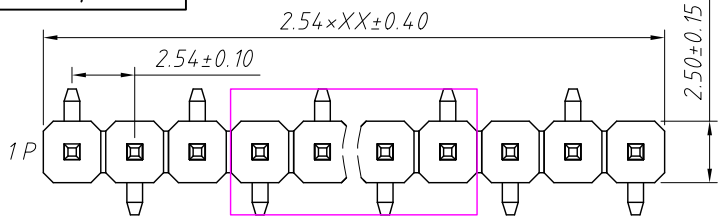


RoHS Compliance

REV	SYM	Revision Record	Appr.	Date
V0	KLS01002	New Version Release	WuHao	2025-08-12

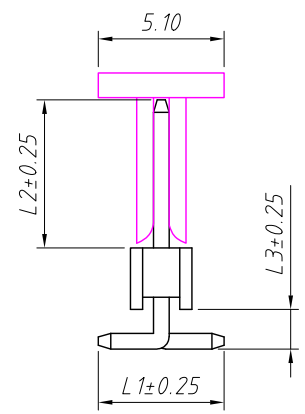
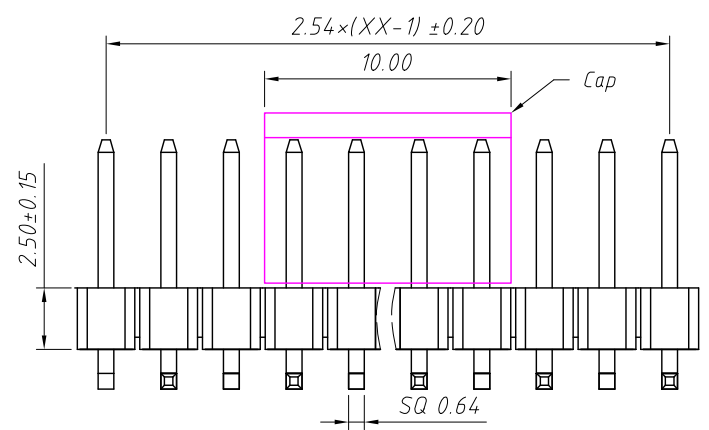
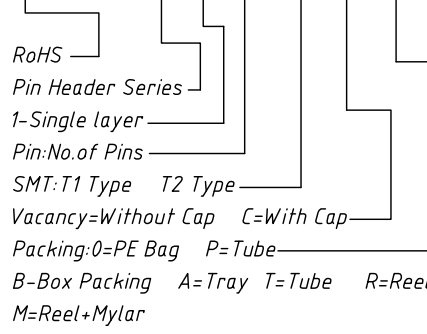


Material:  
 Contact: Brass, Au Over Ni  
 Insulator: Polyester, UL 94 V-0

Electric:  
 Rated Current: 3.0AMP  
 Contact Resistance: 20mΩ Max  
 Withstand Voltage: 1000V AC/DC  
 Insulation Resistance: 1000MΩ Min  
 Operation Temperature: -40°C ~ +105°C  
 Resistance To Soldering Heat:  
 260°C + 5°C, 10S (PA6T & PA9T & LCP Insulator)

Order Information

L-KLS1-207-1-XX-XX (C)-X



Item	L1	L2	L3	Plastic Height
Standard	4.80	6.00	1.60	2.50
Nonstandard	---	---	---	---

ANGLE TOLERANCE	PROJECTION	Description:	2.54mm Pitch
±3°			Pin Header Connector
GENERAL TOLERANCE	UNITS	mm	KLS P/N: L-KLS1-207-1-XX-XX(C)-X
x.x ±0.30	SHEET SIZE	A4	NingBo KLS ELECTRONIC CO.,L.TD.
x.xx ±0.20	Draw:	WuHao 2025-08-12	
x.xxx ±0.10	Check:	Daniel 2025-08-12	