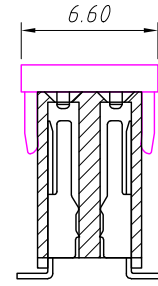
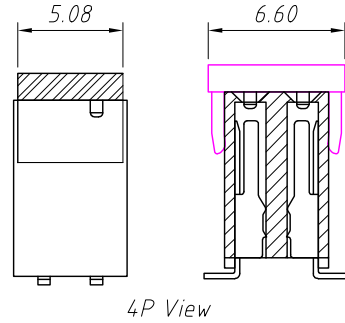
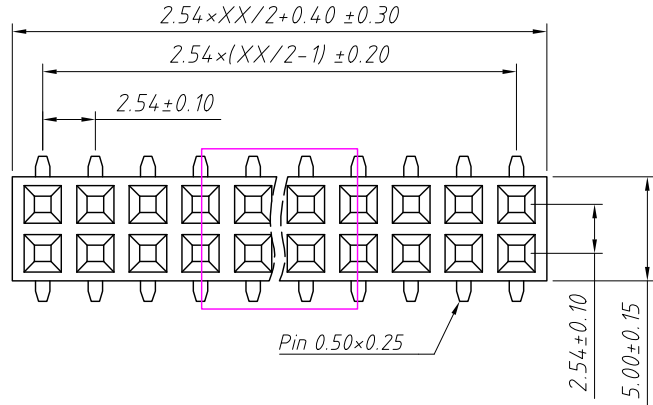


RoHS Compliance

REV	SYM	Revision Record	Appr.	Date
V0	KLS01002	New Version Release	WuHao	2025-03-11



Notes:

1.Material:

Contact:Copper Alloy,Au over Ni

Insulator:Polyester,UL 94V-0

2.Electrical Characteristics:

Rated Current:3.0AMP

Contact Resistance:20mΩ Max

Withstand Voltage:1000V AC/DC

Insulator Resistance:1000MΩ Min

Operating Temperature: -40°C ~ +105°C

Resistance To Soldering Heat:260°C±5°C,10s

(PA6Y & PA9T & LCP Insulator)

Order Information:

L-KLS1-208-2-XX-XX C-X

L: RoHS

Female header

208:2.54mm

Per Row:Double layer

Pin: No. of Pins

Installation Mode:

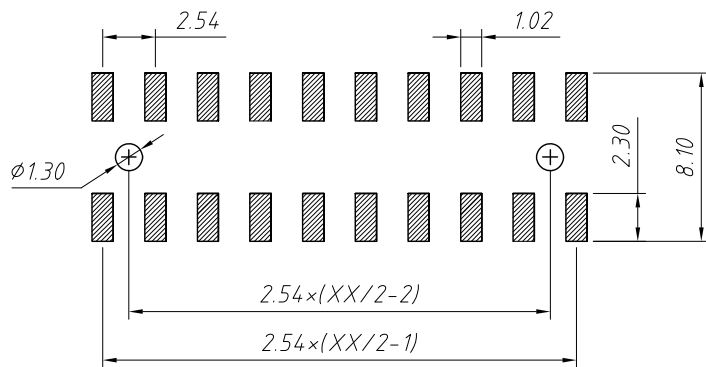
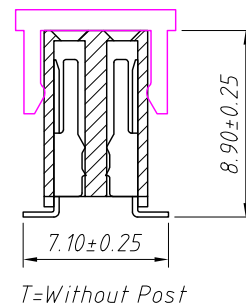
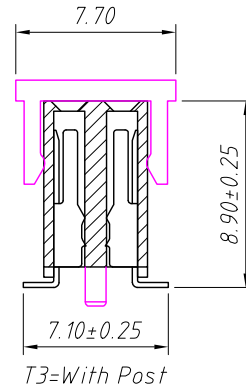
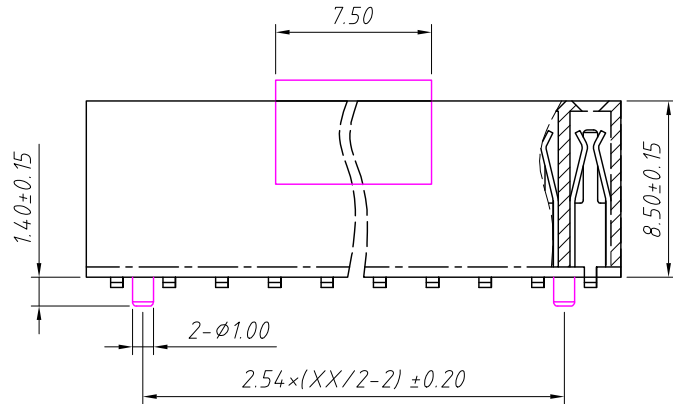
T3=SMD With Post

T=SMD Without Post

C=Cap

Packing:

T=Tube P=Tube+Cap R=Reel+Cap



Recommended PCB Layout  
Tolerance:±0.05mm

ANGLE TOLERANCE	PROJECTION	Description:	2.54mm Pitch
±3°			Female Header Connector
GENERAL TOLERANCE	UNITS	mm	KLS P/N: L-KLS1-208-2-XX-XXC-X
x.x ±0.30	SHEET SIZE	A4	
x.xx ±0.20	Draw:	WuHao	2026-03-11
x.xxx ±0.10	Check:	Daniel	2026-03-11



NingBo KLS ELECTRONIC CO.,LTD.