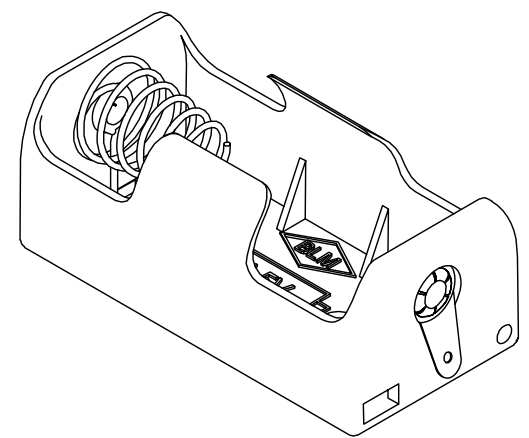
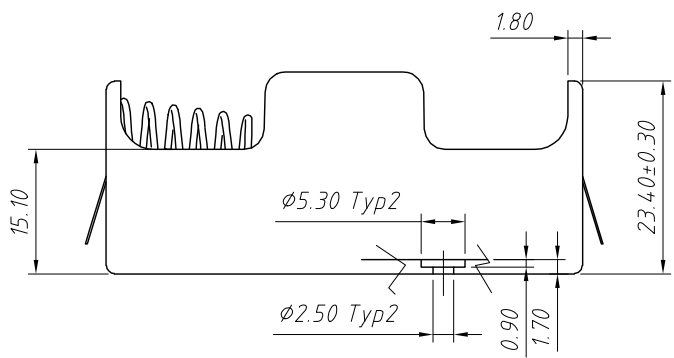
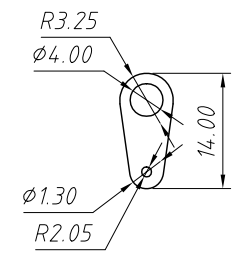
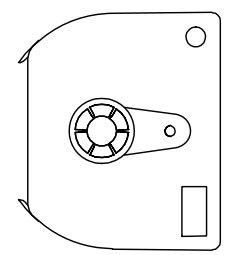
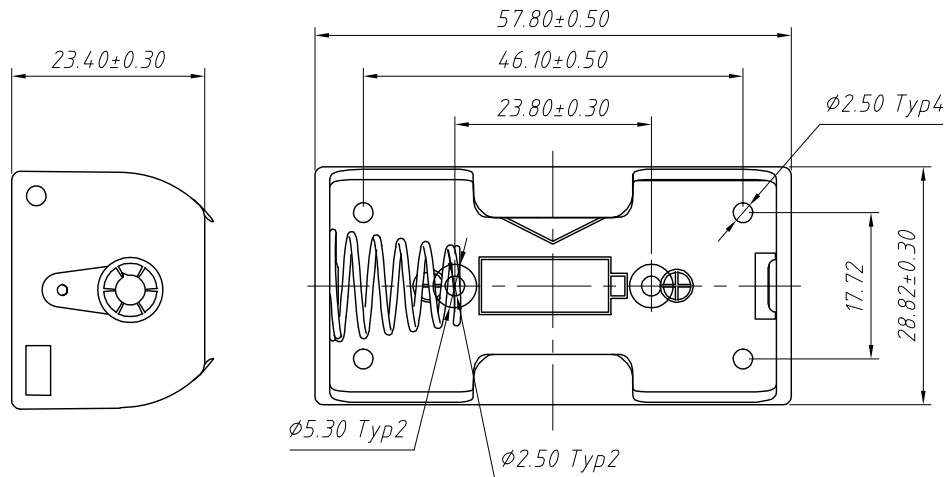


1
RoHS Compliance

7		8		
REV	SYM	Revision Record	Appr.	Date
V0	KLS05036	New Version Release	WuHao	2025-02-03



Material:
 Base:PP Resin,Black
 Flammability Rating:UL94-HB Or Custom Made
 Temperature Range:-10°C ~ +80°C
 Solder Lugs:Brass,Nickel Plated
 Spring:0.8mm 65C Spring Wire,Nickel Plated
 Rivets:Brass,Nickel Plated

ANGLE TOLERANCE	PROJECTION	Description:	1 C Battery Holder With Lugs	
±3°				
GENERAL TOLERANCE	UNITS	mm	KLS P/N:	TBH-C-1A-L
x.x ±0.30	SHEET SIZE	A4		
x.xx ±0.20	Draw:	WuHao	2026-02-03	
x.xxx ±0.10	Check:	Daniel	2026-02-03	

