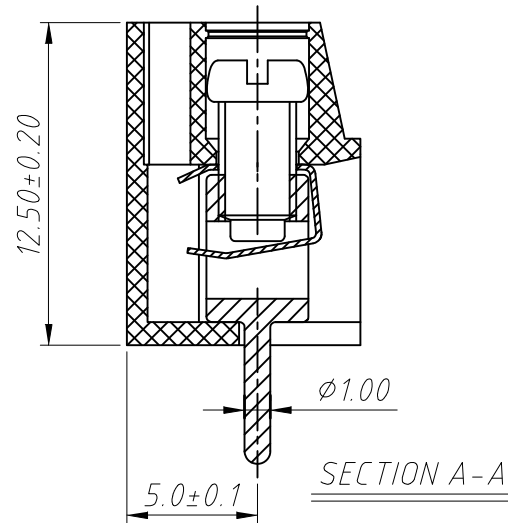
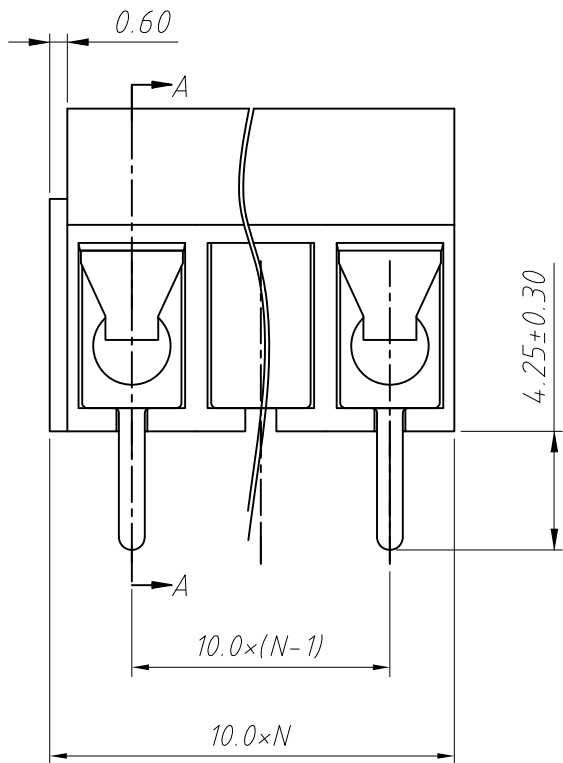


PCB LAYOUT



SECTION A-A

Material

Screw: M3.0, steel, Zn plated
 Cage: Phosphor Bronze, Nickel plated
 Pin header: Brass, Tin plated
 Housing: PA66, UL94V-0, Blue

Electrical

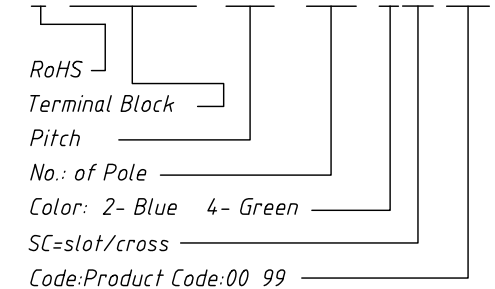
Rated voltage: 250V
 Rated current: 16A
 Wire range: 22~14AWG 1.5mm²
 Contact Resistance: 20 mΩ
 Insulation resistance: 500MΩ/DC500V
 Withstand voltage: AC2000V / 1 min

Mechanical

Temp. Range: -30 °C ~ +105 °C
 Soldering: 250 °C 5Sec. Max.
 Torque: 0.5 N.m (4.43 Lb. in)
 Strip length: 4.5~5 mm

Order Information

L-KLS2-300-10.0-XXP-2SC XX



GENERAL TOLERANCE	ANGLE TOLERANCE	Description:	
X. ±0.60	X. ±5°	Screw CONN TERM Block 10.0mm	
.X ±0.38	.X ±3°		
.XX ±0.25	.XX ±2°	KLS P/N:	L-KLS2-300-10.0-XXP-2SC
Draw by 2015-09-01	PROJECTION		NingBo KLS ELECTRONIC CO.,L TD.
Check by 2015-09-15	UNITS mm		
SCALE	SHEET SIZE A4		