

Тел: +7 (495) 204-13-84

E-mail: sale@radiodetali.com

CATALOGUE 2020-2021

OPTOELECTRONIC COMPONENTS

www.everlight.com

EVERLIGHT

Тел: +7 (495) 204-13-84

E-mail: sale@radiodetali.com

EVERLIGHT

One Source For Every Need

EVERLIGHT Electronics Co., Ltd. was founded in 1983 in Taipei, Taiwan led by Chairman Robert Yeh. EVERLIGHT Electronics Co. has over 36 years of R&D experience for reliable capability. With immediate service and an excellent brand reputation, EVERLIGHT has taken top five in the competitive LED market. Our products are manufactured and packed in-house to guarantee maximum quality and service.

EVERLIGHT provides a diverse product portfolio consisting of High Power LEDs, SMD LEDs, Lamps, Lighting Components, LED Lighting Modules, Digital Displays, Opto-couplers and Infrared Components for various applications. Today, EVERLIGHT is a global company with over 6,400 employees based in China, Hong Kong, Japan, Korea, Singapore, Malaysia, India, Germany and U.S.A.

For more information, please visit our website :

www.everlight.com

CONTENTS

Alphanumeric Index	04
Conditions of RoHS	15
Application Notice	16
Technical Data	17



Visible LED

Color	52		
High Power	58		
Driver on Board	60		
Low Middle Power LED	63		
UV	85		
Flash LED	90		
SMD LED	Subminiature LED Lamps (Leadframe)	97	
	Surface Mount Chip LED (PCB)	Top View LED	99
		Top View 0402 (0.2T~0.5T)	100
	Surface Mount Chip LED (PCB)	Top View 0603 (0.2T~0.8T)	101
		Top View 0805	106
		Top View 1206	107
		Top View Mono Color	109
		Top View Bi-Color	110
		Top View Full Color	113
		Side View (0.2T~1.0T)	115
		Side View Bi-Color	118
		Side View Full Color	119
		Reverse Mount	120
		Reverse Mount Bi-color	122
		Reverse Mount Full-color	122
	Surface Mount PLCC LEDs (Reflector)	Top View LED	123
		Top View Bi-Color	124
		Top View PLCC2	125
		Top View PLCC3	126
		Side View LED	127
LED Lamps	2mm Tower Type	128	
	3mm Round Type	129	
	5mm Round Type	133	
	3mm Cylindrical	137	
	5mm Cylindrical	137	
	5mm Square	137	
	Rectangular	138	
LED Digital Displays	Chip On Board Display	Single Digit Display	140
		Dual Digit Display	141
		Three Digit Display	144
		Four Digit Display	146
	SMD Display	Single Digit Display	147
		Dual Digit Display	149
		Three Digit Display	150
		Four Digit Display	152
	Dot Matrix Display	153	
	Light Bar Display	153	
Signage LED	Surface Mount Chip LED (PCB)	154	
	Surface Mount PLCC LED (Reflector)	156	
	Lamp Type LED	3mm Oval Type	159
		5mm Oval Type	161
		5mm Round Type	162
Automotive LED	Exterior Application	High Power LED	163
		Mid Power LED	166
		Low Power LED	167
	Interior Application	Low Power LED	169
Backlighting LED	TV/Monitor	Application/TFT Edge	175
		Application/ TFT Direct	178
	Portable	Application/ Side View	179
	Automotive	Application/ Automotive backlight	182
	Local Dimming	Application/ Automotive backlight	183

Infrared LED and Silicon Detector			188	
Infrared Receiver Module	DIP	Vout-GND-Vcc	226	
	SMD	Side -View	230	
		Top -View	232	
		SMD	235	
	Standard Burst		235	
Optic-Fiber Device (Photo Link)	Receiver (PLR) Component		236	
	Transmitter (PLT) Component		238	
Optical Sensors	Ambient Light Sensor	Analog	240	
		Digital	245	
	Proximity Sensor	Digital	245	
	RGB Color Sensor	Single Color Sensor (Analog)	246	
	Reflective Sensor		247	
	Transmissive Sensor		251	
	Photo Coupler	Transistor	4Pin SSOP-AC	256
4Pin SSOP-DC			256	
8Pin SSOP-DC			256	
16Pin SSOP-AC			257	
16Pin SSOP-DC			257	
4Pin SOP-AC			257	
4Pin SOP-DC			258	
8Pin SOP-DC			258	
8Pin SOP-DC			259	
4Pin LSOP-DC			259	
5Pin LSOP-DC			260	
4Pin DIP-AC			260	
4Pin DIP-DC			261	
6Pin DIP-AC			261	
6Pin DIP-DC			262	
8Pin DIP-DC			262	
16Pin DIP-DC			263	
Transistor Low Input Current		4Pin LSOP-DC	263	
		4Pin DIP-DC	263	
Transistor Ultra Low Input Current		4Pin SSOP-DC	264	
		4Pin SOP-DC	264	
		4Pin LSOP-DC	264	
		4Pin DIP-DC	265	
Transistor High Operating Temperature		4Pin SSOP-DC	265	
		4Pin SOP-DC	265	
		4Pin LSOP-DC	266	
		4Pin DIP-DC	266	
Transistor High Isolation		4Pin DIP-DC	266	
		4Pin DIP-DC	267	
Darlington Transistor		4Pin SOP-DC	267	
		4Pin DIP-DC	268	
		6Pin DIP-DC	269	
Schmitt Trigger		8Pin DIP-DC	269	
		6Pin DIP-DC	270	
		High Speed	5Pin SOP-DC	270
High Speed		8Pin SOP-DC	271	
		4pin DIP-DC	272	
		8pin DIP-DC	272	
		8Pin Wide Body DIP-DC	274	
High Speed Low Input Current		8Pin DIP-DC	275	
Triac		4Pin SOP-DC	275	
		4Pin DIP-DC	276	
		5Pin DIP-DC	277	
		6Pin DIP-DC	278	
		Photo Power Triac	7Pin DIP-DC	279
		Solid State Relay	4Pin SOP-DC	279
			4Pin DIP-DC	280
6Pin DIP-DC	280			
Gate Driver	8Pin DIP-DC	281		
	8Pin DIP-DC	281		

ALPHANUMERIC INDEX

VISIBLE LED

1003SUBD/S400-A6	139	15-21/R6C-AN1P2/2T	108	18-039B/Series	154
1003SUGD/S400-A4	139	15-21/R6C-FQ1R1B/2T	108	18-218/T1D-AN2Q1B3X/6T	109
1003SURD/S530-A3	139	15-21/S2C-AL2M2VY/2T	108	18-225/B6R6C-C01/3T	110
1003SYGD/S530-E2	139	15-21/S2C-AQ2R2B/2T	108	18-225/R6G6C-A01/3T	110
103SURD/S530-A3	128	15-21/S3C-AP1Q2/2T	108	18-225/S2G6C-A01/3T	110
103SYGD/S530-E2	128	15-21/T1D-CP1Q2TY/2T	108	18-225A/R6GHW-B01/3T	110
103UYD/S530-A3	128	15-21/T7D-JQ2S1PY/2T	108	19-117/BHC-YJ2K2TX/3T	101
12-11/BHC-ZL1M2QY/2C	115	15-21/Y2C-AN1P2/2T	108	19-117/BHC-ZL1M2RY/3T	101
12-21/BHC-AN1P2/2C	115	15-21/Y2C-CP1Q2B/2T	108	19-117/T1D-AP2Q2QY/3T	101
12-21/BHC-ZL1M2RY/2C	115	15-215/G7C-BN1P2B/2T	108	19-118/BHC-ZL1M2QY/3T	101
12-21/GHC-YR2S2/2C	115	15-215/R6C-AM2P1VY/2T	108	19-123/Y2ST1D-C30/2T	111
12-21/R8C-AN1P2B/2D	115	15-215/R6C-AP1Q1L/2T	108	19-137/R6GHBHC-A01/2T	113
12-21/T3D-AQ2S2M/2C	115	15-22/R6G6C-A32/2T	110	19-21/B6C-AP2Q2M/3T	102
12-215/BHC-AN1P2/3C	116	15-22/R6GHC-A01/2T	110	19-21/BHC-AP1Q2/3T	102
12-215/BHC-XL1M2HY/3C	116	1533SURD/S530-A3	139	19-21/BHC-YL1M1RY/3T	102
12-215/G6C-AL2M2B/3C	116	1533UYD/S530-A3	139	19-21/BHC-ZQ1R2N/3T	102
12-215/G6C-BP1Q2L/3C	116	16-213/BHC-AN1P2/3T	100	19-21/G6C-AL1M2LY/3T	102
12-215/R6C-AR1S1B/3C	116	16-213/BHC-ZL1M2QY/3T	100	19-21/G6C-FM1N2B/3T	102
12-215/T1D-ANPHY/3C	116	16-213/GHC-YR1S1/3T	100	19-21/G6C-FP1Q1L/3T	102
12-215/Y2C-BR1S1L/3C	116	16-213/R6C-A2225VZ/3T	100	19-21/GHC-YN1P2QY/3T	102
12-215/Y2C-CP1Q2B/3C	116	16-213/T3D-AP1Q2QY/3T	100	19-21/GPC-FL1M2B/3T	102
12-215/Y2C-CQ1R1B/3C	116	16-213/T7D-AQ1R1QY/3T	100	19-21/R6C-AL2N1VY/3T	102
12-21C/BHC-AN1P2/2C	115	16-216/T3D-AQ1R2TY/3T	100	19-21/R6C-FP1Q2L/3T	102
12-21C/BHC-YL1M2HY/2C	115	16-219A/T2D-AR2T1QY/3T	100	19-21/R7C-AK1L2BY/3T	102
12-21C/T3D-CP1Q2B12Y/2C	115	16-916/T1D-AP1Q2QY/3T	116	19-21/R7C-AN2Q1B/3T	102
12-22/BHR6C-A01/2C	118	17-21/BHC-AN1P2/3T	106	19-21/R8C-FN2Q1L/3T	102
12-22/G6R8C-A30/2C	118	17-21/BHC-AP1Q2/3T	106	19-21/S2C-AL2M2VY/3T	102
12-22/R6GHC-A30/2C	118	17-21/BHC-XLMJY/3T	106	19-21/S2C-AQ1R2B/3T	102
12-22/Y2G6C-A30/2C	118	17-21/G6C-AN1P1B/3T	106	19-21/T1D-ANPHY/3T	102
12-23C/R6GHBHC-A01/2C	119	17-21/G6C-AP1Q1B/3T	106	19-21/T1D-CPQTY/3T	102
12-23C/S2GHBHC-A01/2C	119	17-21/G6C-FM1N2B/3T	106	19-21/Y2C-AL1M2VY/3T	102
1224SDRC/S530-A4	130	17-21/G6C-FN1P2B/3T	106	19-21/Y2C-CP1Q2B/3T	102
1224SUGC/S400-A5	130	17-21/G6C-FP1Q1B/3T	106	19-213/B7C-AQ2S1B2/3T	104
1224SURC/S530-A3	130	17-21/GHC-XS1T2M/3T	106	19-213/BHC-AN1P2/3T	104
1224SYGC/S530-E2	130	17-21/GHC-YR1S2/3T	106	19-213/G6C-AP1Q2/3T	104
1224USOC/S530-A3	130	17-21/GPC-AK0M1B/3T	106	19-213/G6C-BM1N2B/3T	104
1224UTC/S400-A6	130	17-21/GVC-AMPB/3T	106	19-213/G6C-FN2Q1L/3T	104
1254-10SDRT/S530-A3	131	17-21/R6C-AN2Q1B/3T	106	19-213/G6W-FN1P1B/3T	104
1254-10SURT/S530-A3	131	17-21/R6C-AP1Q2L/3T	106	19-213/GHC-XS1T1N/3T	104
1254-10SYGT/S530-E2	131	17-21/R7C-AN2Q1B/3T	106	19-213/GHC-YP1Q2QY/3T	104
1254-10UYD/S530-A3	131	17-21/S2C-AN1P2B/3T	106	19-213/GHC-YR1S2/3T	104
1254-10UYOT/S530-A3	131	17-21/S2C-AP1Q2B/3T	106	19-213/R6C-AM2P1VY/3T	104
1259-7SDRSYGW/S530-A3	131	17-21/T1D-ANPHY/3T	106	19-213/R6C-AN1P2/3T	104
1259-7SUSRYGW/S530-A3	131	17-21/T1D-CP2R1TY/3T	106	19-213/R6C-AN2Q1B/3T	104
1259-7UYSYGW/S530-A3	131	17-21/T1D-KN2P2HY/3T	106	19-213/R6C-AP1Q2B/3T	104
1383-2SDRD/S530-A3	135	17-21/Y2C-AN1P2/3T	106	19-213/R6C-AQ1R2B/3T	104
1383-2SURD/S530-A3	135	17-21/Y2C-CN1P2B/3T	106	19-213/R8C-FN1P2/3T	104
1383SYGD/S530-E2	135	17-21/Y2C-CP2Q2B/3T	106	19-213/S2C-AN1P2B/3T	104
1383UYD/S530-A3	135	17-215/B6C-YP2R2/3T	107	19-213/S3C-AN2P2B/3T	104
15-11/BHC-AN1P2/2T	107	17-215/BHC-AN1P2/3T	107	19-213/T1D-ANPHY/3T	104
15-11/BHC-ZL2N1QY/2T	107	17-215/BHC-BP2Q2M/3T	107	19-213/Y2C-AP1Q2B/3T	104
15-13D/R6GHBHC-A01/2T	113	17-215/G6C-BM1N2L/3T	107	19-213/Y2C-CN1P2/3T	104
15-21/B6C-YR1S2B2/2T	108	17-215/G6C-FN2P2B/3T	107	19-213/Y2C-CP1Q2L/3T	104
15-21/B6C-ZQ1R1N/2T	108	17-215/R6C-AQ1R2B/3T	107	19-213/Y2C-CQ1R2/3T	104
15-21/BHC-AN1P2/2T	108	17-215/S2C-AQ1R2B/3T	107	19-213/Y2C-CQ2R2L/3T	104
15-21/G6C-BK1L2VY/2T	108	17-215/S2C-CP2R1B/3T	107	19-213A/T1D-CP2Q2HY/3T	103
15-21/G6C-FM1N2B/2T	108	17-223/BHR7C-C30/3C	118	19-217/B9C-ANQE/3T	103
15-21/G6C-FP1Q1L/2T	108	18-035BD/Series	154	19-217/BHC-AN1P2/3T	103
15-21/GHC-R2S2/2T	108	18-036BD/Series	154	19-217/BHC-XK1L2B11X/3T	103
15-21/GHC-YR1S1/2T	108	18-038BT/Series	155	19-217/BHC-YL2M2TY/3T	103

19-217/G7C-AL1M2B/3T	103	23-21B/T1D-ANQHY/2A	120	334-15/X2C1-1WYB	134
19-217/GHC-YR1S2/3T	103	23-21B/T1D-CP2Q2TY/2A	120	334-15/X2C3-1TVA	134
19-217/R6C-P1Q2/3T	103	23-21B/W1D-ANQHY/2A	120	334-15/X2C5-1PSB	134
19-217/S2C-AL1M2VY/3T	103	23-21C/T1D-CP2Q2TY/2A	120	336SURSYGW/S530-A3	133
19-217/S3C-AL2N1VY/3T	103	23-22B/R7G6C-A30/2T	122	336SYGSYGD/S530-E2	133
19-217/T1D-ANPHY/3T	103	23-22B/S2BHC-C30/2A	122	336UYSYGW/S530-A3	133
19-217/T1D-JP1Q2QY/3T	103	23-22C/S2BHC-B30/2A	122	339-1SURSYGW/S530-A3	135
19-217/Y5C-AM1N1VY/3T	103	23-23B/R6GHBHC-A01/2A	122	339-1UYSYGW/S530-A3	135
19-217/Y5C-APQB/3T	103	24-21/BHC-AN1P2/2A	121	339-1UYUBW/S530-A4	135
19-217/Y5C-AQ2R2/3T	103	24-21/GHC-YR2T1/2A	121	3474BABR	160
19-218/BHC-ZL1M2QY/3T	105	264-7SDRC/S530-A3	129	3474BAGR	160
19-218/GHC-YR1S2M/3T	105	264-7SUGC/S400-A5	129	3474BARR	160
19-218/R6C-AL1M2VY/3T	105	264-7SURC/S400-A8	129	3474BFBR/MS	160
19-218/R6C-FM2P1B7Y/3T	105	264-7SYGC/S530-E3	129	3474BFGR/MS	160
19-218/T1D-CQ2R2TY/3T	105	264-7UYC/S400-A9	129	3474BFRR/MS	160
19-219/T3D-AQ2R2TY/3T	105	264-7UYOC/S530-A3	129	3474BKBR/MS	159
19-219/T7D-AV1W1E/3T	105	27-21/BHC-AN1P2/3C	117	3474BKGR/MS	159
19-219/Y5C-AM1N2VY/3T	105	27-21/BHC-AP1Q2/3C	117	3474BKRR/MS	159
19-22/G6R6C-A31/2T	111	27-21/GHC-YR1S2M/3C	117	3474DKBR/MS	159
19-22/R6BHC-B01/2T	111	27-21/R6C-AP1Q2B/3C	117	3474DKGR/MS	159
19-22/R6G6C-A01/2T	111	27-21/T1D-ANPHY/3C	117	3474DKRR/MS	159
19-22/R6GHC-C02/2T	111	27-21/T1D-CQ1R2NW/3C	117	383-2SDRC/S530-A3	135
19-22/Y2G6C-A14/2T	111	27-21/T3D-AP2Q2HY/3C	117	383-2SUBC/C470/S400-A6	135
19-223/G6S2C-A01/2T	112	27-21/Y2C-CPQB/3D	117	383-2SUGC/S400-A4	135
19-223/R6BHC-A05/2T	112	28-21SDRC/S530-A3/TR8	97	383-2SURC/S530-A3	135
19-223/R6G6C-A01/2T	112	28-21SURC/S530-A2/TR8	97	383-2SYGC/S530-E2	135
19-223/R7BHC-A30/2T	112	28-21UYC/S530-A3/TR8	97	383-2USOC/S530-A6	135
19-223/R7G6C-A01/2T	112	313-2SUBC/C470/S400-A4	133	383-2UYC/S530-A3	135
19-223/S2BHC-A01/2T	112	313-2SYGC/S530-E2	133	414-10SURD/S530-A3	137
19-223/S2T1D-C30/2T	112	313-2UYD/S530-A3	133	414-10UYD/S530-A3	137
19-223/Y2G6C-A01/2T	112	323-2SDRD/S530-A3	133	4204-10SURC/S530-A3	132
19-226/R6BHC-B01/2T	112	323-2SURD/S530-A3	133	4204-10SYGC/S530-E4	132
19-226/R6G7C-B02/2T	112	323-2SYGD/S530-E2	133	42-21/BHC-AUW/1T	99
19-226/R6GHC-A03/2T	112	3294-15SUBC/S400-A6	132	42-21A/BHC-ZV1W2N/1T	99
19-237/R6GHBHC-A04/2T	113	3294-15SUGC/S400-A6	132	42-21A/GHC-YX1Y2N/1T	99
19-237A/BHR6GHC-A01/2T	114	3294-15SURC/S400-A7	132	423-2SUBC/S400-X9	137
19-237B/R6GHBHC-C01/2T	114	3294-15UBGC/S400-A6	132	423-2SURC/S530-A3	137
19-337/R6GHBHC-A01/2T	114	333/B1C1-ARUA/MS	162	423-2UYC/S530-A6	137
204-10SDRD/S530-A3	128	333/G1C1-AVYA/MS	162	423-2UYOC/S530-A6	137
204-10SUBC/S400-A4	128	333/R5C1-ATWB/MS	162	48-213/BHC-ZM2P1QY/3C	117
204-10SUGC/S400-A5	128	333/V7C1-BVXA/MS	162	48-213/R6C-AM1N2VY/3C	117
204-10SURD/S530-A3	128	333/Y5C1-ATWB/MS	162	48-213/T2D-AQ2R2QY/3C	117
204-10SYGD/S530-E3	128	333-2SDRC/S530-A4	134	48-213/T3D-AP1Q2TY/3C	117
204-10UYD/S530-A3	128	333-2SUBC/C470/S400-A6	134	48-213/T7D-AQ1R2QY/3C	117
204-10UYOC/S530-A3	128	333-2SUGC/S400-A5	134	484-10SURT/S530-A3	130
209SDRSYGW/S530-A3	129	333-2SURC/S400-A8	134	484-10SYGT/S530-E2	130
209SURSYGW/S530-A3	129	333-2SYGC/S530-E2	134	484-10UYOC/S530-A3	130
22-21/BHC-AN1P2/2C	117	333-2UYC/S400-A4	134	484-10UYT/S530-A3	130
22-21/GHC-YR1S2/2C	117	333-2UYC/S530-A3	134	494-10SURT/S530-A3	130
22-23/R6GHBHC-A01/2C	119	333-2UYOC/S530-A3-L	134	494-10SYGT/S530-E2	130
22-23C/R6GHBHW-C01/2C	119	334-15/F1C1-1XZA	134	50-217S/KKE-B30243Z6/SZM/2T	81
23-21/G6C-AL2N1/2T	120	334-15/F1C2-7VXA	134	50-217S/KKE-B30263Z6/SZM/2T	81
23-21/GHC-YR2T1/2A	120	334-15/F1C5-1RTA	134	50-217S/KKE-B30283Z6/SZM/2T	81
23-21/R6C-AM1N2AY/2A	120	334-15/T1C1-4WYA	134	50-217S/KKE-B30303Z6/SZM/2T	82
23-21/R8C-AN2Q1B/2T	120	334-15/T1C3-2TVA	134	50-217S/KKE-B35243Z6/SZM/2T	81
23-215A/BHC-DN2P2E/5A	121	334-15/T1C5-7QSA	134	50-217S/KKE-B35263Z6/SZM/2T	81
23-21B/BHC-AN1P2/2A	120	334-15/T2C3-2TVC	134	50-217S/KKE-B35283Z6/SZM/2T	81
23-21B/BHC-ZM1N2TY/2A	120	334-15/T2C5-1QSB	134	50-217S/KKE-B35303Z6/SZM/2T	82
23-21B/G6C-AM2P1/2A	120	334-15/X1C2-1UWA	134	50-217S/KKE-B40263Z6/SZM/2T	81
23-21B/S2C-AP1Q2B/2A	120	334-15/X1C5-1QSA	134	50-217S/KKE-B40283Z6/SZM/2T	81

ALPHANUMERIC INDEX

VISIBLE LED

50-217S/KKE-B403032Z6/SZM/2T	81	57-11-IB0100L-AM	172	67-21/GHC-AS2U1B17Z/2T	126
50-217S/KKE-B403232Z6/SZM/2T	82	57-11-SB0100L-AM	172	67-21/GHC-BV1/2T	126
50-217S/KKE-B432632Z6/SZM/2T	81	57-11-UB0200H-AM	172	67-21/R6C-AP2R1B/2T	126
50-217S/KKE-B432832Z6/SZM/2T	81	57-11UTC/S827-1/TR8	127	67-21/R6C-FN2Q1BZ/2T	126
50-217S/KKE-B433032Z6/SZM/2T	81	57-21/R6C-AP1Q2B/BF	127	67-21/R6C-FR2T1B/2T	126
50-217S/KKE-B433232Z6/SZM/2T	82	57-21SYGC/S530-E3/TR8	127	67-21/R6C-FS1U1B/2T	126
50-217S/KKE-B502632Z6/SZM/2T	81	57-21-UR0200H-AM	172	67-21/RSC-FT2V1B/2T	126
50-217S/KKE-B502832Z6/SZM/2T	81	57-21-UV0200H-AM	172	67-21/S2C-FQ2R2B/2T	126
50-217S/KKE-B503032Z6/SZM/2T	81	583SURD/S530-A3	137	67-21/S3C-AS1T1/2T	126
50-217S/KKE-B503232Z6/SZM/2T	82	583SYGD/S530-E2	137	67-21/T2C-ZV1W2E/2T	126
50-217S/KKE-B632632Z6/SZM/2T	81	583UYD/S530-A3	137	67-21/Y2C-BR2T1B/2T	126
50-217S/KKE-B632832Z6/SZM/2T	81	594SURD/S530-A3	139	67-21/YSC-FU1V2B/2T	126
50-217S/KKE-B633032Z6/SZM/2T	81	594SYGD/S530-E2	139	67-21S/B3C-D4555D5D72936Z6/2T	52
50-217S/KKE-B633232Z6/SZM/2T	82	594UYD/S530-A3	139	67-21S/DRKC-P4060C4D12834Z15/2T	54
50-217S/KKE-B652632Z6/SZM/2T	81	62-117D-C80650H-AM	170	67-21S/G1C-D15305D83039Z2/2T	52
50-217S/KKE-B652832Z6/SZM/2T	81	62-117D-N80650H-AM	170	67-21S/KK4C-H276096Z6/2T	69
50-217S/KKE-B653032Z6/SZM/2T	81	62-117D-W80650H-AM	170	67-21S/KK4C-H306596Z6/2T	69
50-217S/KKE-B653232Z6/SZM/2T	82	62-127ET/KKX-M2727X5Y12529U6/2T	80	67-21S/KK4C-H406896Z6/2T	69
50-219S/KKE-B302432Z6/SZM/2T	83	62-127ET/KKX-M3030X6Y22529U6/2T	80	67-21S/KK4C-H507096Z6/2T	69
50-219S/KKE-B302632Z6/SZM/2T	83	62-127ET/KKX-M3535X6Y22529U6/2T	80	67-21S/KK4C-H657096Z6/2T	69
50-219S/KKE-B302832Z6/SZM/2T	83	62-127ET/KKX-M4040X8Y42530U6/2T	80	67-21S/KK5C-H272333Z6/2T	65
50-219S/KKE-B303032Z6/SZM/2T	84	62-127ET/KKX-M5050X8Y42529U6/2T	80	67-21S/KK5C-H275534Z15/2T	67
50-219S/KKE-B352432Z6/SZM/2T	83	62-127ET/KKX-M5757X8Y42529U6/2T	80	67-21S/KK5C-H302433Z6/2T	65
50-219S/KKE-B352632Z6/SZM/2T	83	62-127ET/KKX-M6565X8Y42529U6/2T	80	67-21S/KK5C-H306034Z15/2T	67
50-219S/KKE-B352832Z6/SZM/2T	83	63-119-BHD-ZM1N2TY-3T	109	67-21S/KK5C-H402633Z6/2T	65
50-219S/KKE-B353032Z6/SZM/2T	84	63-119-T1D-ANQ1TY-3T	109	67-21S/KK5C-H406534Z15/2T	67
50-219S/KKE-B402632Z6/SZM/2T	83	6324-15SUBC/S400-X10	136	67-21S/KK5C-H502633Z6/2T	65
50-219S/KKE-B402832Z6/SZM/2T	83	6324-15SUGC/S400-A5	136	67-21S/KK5C-H506534Z15/2T	67
50-219S/KKE-B403032Z6/SZM/2T	83	6324-15SURC/S400-A9	136	67-21S/KK5C-H572633Z6/2T	65
50-219S/KKE-B403232Z6/SZM/2T	84	6364/BADA-AHKA/P/MS	161	67-21S/KK5C-H576534Z15/2T	67
50-219S/KKE-B432632Z6/SZM/2T	83	6364/GADA-AMNA/P/MS	161	67-21S/KK5C-H602633Z6/2T	65
50-219S/KKE-B432832Z6/SZM/2T	83	6374/R7DA-ALQB/P/MS	161	67-21S/KK5C-H652633Z6/2T	65
50-219S/KKE-B433032Z6/SZM/2T	83	65-11/BHC-AR1S2B2/2T	125	67-21S/KK5C-H656534Z15/2T	67
50-219S/KKE-B433232Z6/SZM/2T	84	65-11/T2C-FV1W2E/2T	125	67-21S/KK6C-H2727N4PA2834Z6/2T(GC)	65
50-219S/KKE-B502632Z6/SZM/2T	83	65-11-C70200H-AM	171	67-21S/KK6C-H3030N42PA2834Z6/2T(GC)	65
50-219S/KKE-B502832Z6/SZM/2T	83	65-11-IB0100L-AM	171	67-21S/KK6C-H3535N4BPA2834Z6/2T(GC)	65
50-219S/KKE-B503032Z6/SZM/2T	83	65-11-SB0100L-AM	171	67-21S/KK6C-H4040N4BPA2834Z6/2T(GC)	65
50-219S/KKE-B503232Z6/SZM/2T	84	65-11-UB0200L-AM	171	67-21S/KK6C-H5050N43PA2834Z6/2T(GC)	65
50-219S/KKE-B632632Z6/SZM/2T	83	65-11-UG0200H-AM	171	67-21S/KK6C-H6565N4BPA2834Z6/2T(GC)	65
50-219S/KKE-B632832Z6/SZM/2T	83	65-21/G6C-AN2Q1/3T	125	67-21S/KK7C-H276034Z15/DI(GC)	67
50-219S/KKE-B633032Z6/SZM/2T	83	65-21/Y2C-CJ2L2X/3T	125	67-21S/KK7C-H306534Z15/DI(GC)	67
50-219S/KKE-B633232Z6/SZM/2T	84	65-21/Y2SC-AR1S2B/2T	125	67-21S/KK7C-H356534Z15/DI(GC)	67
50-219S/KKE-B652632Z6/SZM/2T	83	65-21/Y2SC-FR2S1B/2T	125	67-21S/KK7C-H407034Z15/DI(GC)	67
50-219S/KKE-B652832Z6/SZM/2T	83	65-21-UR0200H-AM	171	67-21S/KK7C-H507034Z15/DI(GC)	67
50-219S/KKE-B653032Z6/SZM/2T	83	65-21-UY0200H-AM	171	67-21S/KK7C-H577034Z15/DI(GC)	67
50-219S/KKE-B653232Z6/SZM/2T	84	67-03A/R6GHBHW-A01/2T/MS	158	67-21S/KK7C-H607034Z15/DI(GC)	67
513SURD/S530-A3	138	67-11/BHC-FQ2S1F/2T	125	67-21S/KK7C-H657034Z15/DI(GC)	67
513SYGD/S530-E2	138	67-11/W1C-ES1T2N/2T	125	67-21S/KKE-N272533Z6/SZM/2T	65
513UYD/S530-A3	138	67-11/W1C-FV1W2F/2T	125	67-21S/KKE-N302633Z6/SZM/2T	65
519-1SURSYGW/S530-A3	138	67-11-C70200H-AM	168	67-21S/KKE-N402833Z6/SZM/2T	65
523-2SDRD/S530-A3	138	67-11-C70201H-AM	168	67-21S/KKE-N502833Z6/SZM/2T	65
523-2SUGD/S400-A6	138	67-11-IB0100L-AM	168	67-21S/KKE-N652833Z6/SZM/2T	65
523-2SURD/S530-A3	138	67-11-SB0100L-AM	168	67-21S/NB3C-D4555B4L12835Z15/2T	52
523-2UYD/S530-A3	138	67-11S-G81000H-AM	170	67-21S/NDR2C-P5080B2C12029Z6/2T	52
523SYGD/S530-E2	138	67-11S-G91000H-AM	170	67-21S/NDR3C-P5080C1C51827Z15/2T	52
5484BN/BADC-AGJA/P/MS	161	67-11-UB0200H-AM	168	67-21S/NFR2C-P2050A3B21522Z6/2T	52
5484BN/GADC-AMNA/P/MS	161	67-11-UG0200H-AM	168	67-21S/NFR3C-P2050B2C41829Z15/2T	52
5484BN/R7DC-AHJB/P/MS	161	67-21/B3C-BN1Q2N/2T	126	67-21S/NG3C-D2035N3PB2936Z1512T	52
5484BN/Y7DC-AHJB/P/MS	161	67-21/B7C-AS2U1N/2T	126	67-21S/NY3C-D9000L2L81828Z15/2T	52
57-11-C70200H-AM	172	67-21/GBC-YY2W2N/2T	126	67-21S/R2C-D2030B8L31926Z6/2T	52

67-21S/R3C-D1530L6M41829Z15/2T	52
67-21S/Y2C-D8595B7L32128Z6/2T	52
67-21ST/KK6C-H277096Z6/2T	69
67-21ST/KK6C-H307396Z6/2T	69
67-21ST/KK6C-H407696Z6/2T	69
67-21ST/KK6C-H507696Z6/2T	69
67-21-UR0200H-AM	168
67-21-UR0200L-AM	168
67-21-UR0201H-AM	168
67-21-UY0200H-AM	168
67-21-UY0200L-AM	168
67-21-UY0201H-AM	168
67-22/G3G3C-B45/2T	124
67-22/R6BHC-B07/2T	124
67-22/R6G6C-B09/2T	124
67-22/R6Y2C-B31/2T	124
67-22S/KK9C-H407532Z15/2T(GC)	67
67-22S/KK9C-H507532Z15/2T(GC)	67
67-22S/KK9C-H57532Z15/2T(GC)	67
67-22S/KK9C-H657532Z15/2T(GC)	67
67-22ST/KKE-N2710368Z15/SZM/2T	68
67-22ST/KKE-N2765200Z3/SZM/2T	73
67-22ST/KKE-N3010768Z15/SZM/2T	68
67-22ST/KKE-N3065200Z3/SZM/2T	73
67-22ST/KKE-N4011568Z15/SZM/2T	68
67-22ST/KKE-N4070200Z3/SZM/2T	73
67-22ST/KKE-N5011568Z15/SZM/2T	68
67-22ST/KKE-N5070200Z3/SZM/2T	73
67-22ST/KKE-N6511568Z15/SZM/2T	68
67-22ST/KKE-N6570200Z3/SZM/2T	73
67-22S/SURS/SG/S530-A2/TR8	124
67-22U/SYSG/S530-A5/TR8	124
67-23/R6GHBHC-B05/2T	123
67-235-BJRQGCC-A01E-2T8-CS	123
67-23S/KK7C-H272830Z6/2T	66
67-23S/KK7C-H303030Z6/2T	66
67-23S/KK7C-H353030Z6/2T	66
67-23S/KK7C-H403230Z6/2T	66
67-23S/KK7C-H503230Z6/2T	66
67-23S/KK7C-H573230Z6/2T	66
67-23S/KK7C-H653230Z6/2T	66
67-23S/KK8C-H303030Z6/2T	66
67-23S/KK8C-H353030Z6/2T	66
67-23S/KK8C-H403330Z6/2T	66
67-23S/KK8C-H423330Z6/2T	66
67-23S/KK8C-H503330Z6/2T	66
67-23S/KK8C-H653330Z6/2T	66
67-23S/KK9C-H403430Z6/2T	66
67-23S/KK9C-H503430Z6/2T	66
67-23S/KK9C-H573430Z6/2T	66
67-23S/KK9C-H653430Z6/2T	66
67-23S/RK8C-H272430Z6/2T	76
67-23S/RK8C-H302530Z6/2T	76
67-23S/RK8C-H352530Z6/2T	76
67-23S/RK8C-H402730Z6/2T	76
67-23S/RK8C-H502730Z6/2T	76
67-23S/RK8C-H572730Z6/2T	76
67-23S/RK8C-H652730Z6/2T	76
67-23S/RSYSGUBC/TR8	123
67-23ST/KKE-N2711096Z10/SZM/2T	70

67-23ST/KKE-N2711596Z10/SZM/2T	70
67-23ST/KKE-N27120550Z2/SZM/2T	75
67-23ST/KKE-N2712096Z10/SZM/2T	70
67-23ST/KKE-N2712596Z10/SZM/2T	71
67-23ST/KKE-N3011796Z10/SZM/2T	70
67-23ST/KKE-N3012296Z10/SZM/2T	70
67-23ST/KKE-N30125550Z2/SZM/2T	75
67-23ST/KKE-N3012796Z10/SZM/2T	70
67-23ST/KKE-N3013296Z10/SZM/2T	71
67-23ST/KKE-N4012396Z10/SZM/2T	70
67-23ST/KKE-N4012896Z10/SZM/2T	70
67-23ST/KKE-N40130550Z2/SZM/2T	75
67-23ST/KKE-N4013396Z10/SZM/2T	70
67-23ST/KKE-N4013896Z10/SZM/2T	71
67-23ST/KKE-N5012396Z10/SZM/2T	70
67-23ST/KKE-N5012896Z10/SZM/2T	70
67-23ST/KKE-N50130550Z2/SZM/2T	75
67-23ST/KKE-N5013396Z10/SZM/2T	70
67-23ST/KKE-N5013896Z10/SZM/2T	71
67-23ST/KKE-N6512396Z10/SZM/2T	70
67-23ST/KKE-N6512896Z10/SZM/2T	70
67-23ST/KKE-N65130550Z2/SZM/2T	75
67-23ST/KKE-N6513396Z10/SZM/2T	70
67-23ST/KKE-N6513896Z10/SZM/2T	71
67-23ST/RKE-N2710096Z10/SZM/2T	77
67-23ST/RKE-N2710596Z10/SZM/2T	77
67-23ST/RKE-N2711096Z10/SZM/2T	78
67-23ST/RKE-N27115596Z10/SZM/2T	78
67-23ST/RKE-N279596Z10/SZM/2T	77
67-23ST/RKE-N3010096Z10/SZM/2T	77
67-23ST/RKE-N3010596Z10/SZM/2T	77
67-23ST/RKE-N3011096Z10/SZM/2T	77
67-23ST/RKE-N3011596Z10/SZM/2T	78
67-23ST/RKE-N3012096Z10/SZM/2T	78
67-23ST/RKE-N4010596Z10/SZM/2T	77
67-23ST/RKE-N4011096Z10/SZM/2T	77
67-23ST/RKE-N4011596Z10/SZM/2T	77
67-23ST/RKE-N4012096Z10/SZM/2T	78
67-23ST/RKE-N4012596Z10/SZM/2T	78
67-23ST/RKE-N5010596Z10/SZM/2T	77
67-23ST/RKE-N5011096Z10/SZM/2T	77
67-23ST/RKE-N5011596Z10/SZM/2T	77
67-23ST/RKE-N5012096Z10/SZM/2T	78
67-23ST/RKE-N5012596Z10/SZM/2T	77
67-23ST/RKE-N6511096Z10/SZM/2T	77
67-23ST/RKE-N6511596Z10/SZM/2T	77
67-23ST/RKE-N6512096Z10/SZM/2T	78
67-23ST/RKE-N6512596Z10/SZM/2T	78
67-24ST/KKE-H27115130Z8/2T	72
67-24ST/KKE-H27120130Z8/2T	72
67-24ST/KKE-H30120130Z8/2T	72
67-24ST/KKE-H30125130Z8/2T	72
67-24ST/KKE-H35120130Z8/2T	72
67-24ST/KKE-H35125130Z8/2T	72
67-24ST/KKE-H40125130Z8/2T	72
67-24ST/KKE-H50125130Z8/2T	72
67-24ST/KKE-H50130130Z8/2T	72
67-24ST/KKE-H57125130Z8/2T	72

67-24ST/KKE-H57130130Z8/2T	72
67-24ST/KKE-H65125130Z8/2T	72
67-24ST/KKE-H65130130Z8/2T	72
67-24ST/KKE-N27120380U2/SZM/2T	74
67-24ST/KKE-N27125130Z8/SZM/2T	72
67-24ST/KKE-N301125190Z5/SZM/2T	73
67-24ST/KKE-N30125380U2/SZM/2T	74
67-24ST/KKE-N30130130Z8/SZM/2T	72
67-24ST/KKE-N30130190Z5/SZM/2T	73
67-24ST/KKE-N35130130Z8/SZM/2T	72
67-24ST/KKE-N35130190Z5/SZM/2T	73
67-24ST/KKE-N40130380U2/SZM/2T	74
67-24ST/KKE-N40135130Z8/SZM/2T	72
67-24ST/KKE-N40135190Z5/SZM/2T	73
67-24ST/KKE-N50135130Z8/SZM/2T	72
67-24ST/KKE-N50135190Z5/SZM/2T	73
67-24ST/KKE-N65130380U2/SZM/2T	74
67-24ST/KKE-N65135130Z8/SZM/2T	72
67-24ST/KKE-N65135190Z5/SZM/2T	73
67-24ST/RKE-N27108190Z5/SZM/2T	79
67-24ST/RKE-N2798380U2/SZM/2T	79
67-24ST/RKE-N30103380U2/SZM/2T	79
67-24ST/RKE-N30110190Z5/SZM/2T	79
67-24ST/RKE-N40108380U2/SZM/2T	79
67-24ST/RKE-N40115190Z5/SZM/2T	79
67-24ST/RKE-N50108380U2/SZM/2T	79
67-24ST/RKE-N50115190Z5/SZM/2T	79
67-24ST/RKE-N65108380U2/SZM/2T	79
67-24ST/RKE-N65115190Z5/SZM/2T	79
67-31A/B7C-AT1U2MZ3/2T	126
67-31A/GHC-YV1W2EZ3/2T	126
67-31A/SAC-AW1X2B9Z5/2T	126
67-31-C70301H-AM	167
67-31E/RSC-AV1W2B9Z5/2T	127
67-31EP3-UR0500H-AM	169
67-31EP3-UY0500H-AM	169
67-31EP6-UR0500H-AM	169
67-31EP6-UY0500H-AM	169
67-31-UR0501H-AM	167
67-31-UY0501H-AM	167
67-41-C70301H-AM	167
67-41-PA0601H-AM	167
67-41R-SR0501H-AM	167
67-41R-UR0501H-AM	167
67-41-UY0501H-AM	167
67-63-RGB0201H-AM	174
7343/B1C2-APSA/MS	162
7343/G1C2-AUWA/MS	162
7343/R5C2-ASUB/MS	162
7343/Y5C2-ASVB/MS	162
7343-2SURC/S530-A3	136
7343-2SYGC/S530-E2	136
7343-2USOC/S530-A3	136
7344/V7C2-ASIA/MS	162
7344-15SUBC/C470/S400-A6	136
7344-15SUGC/S400-A5	136
7344-15SUGC/S400-X6	136
7383/BAC3-ANQA/MS	162

ALPHANUMERIC INDEX

VISIBLE LED

7383/G1C3-ATVA/MS	162
7383/R7C3-ARUB/MS	162
7383/Y7C3-ARTA/MS	162
7383/Y7C3-ARUB/MS	162
91-21SUBC/S400-A6/TR7	97
91-21SUGC/S400-A4/TR7	97
91-21SURC/S530-A6/TR7	97
91-21SYGC/S530-E4/TR7	97
91-21USRC/S530-A4/TR7	97
95-21SDRC/S530-A3/TR10	98

95-21SUBC/S400-A5/TR10	98
95-21SUGC/S400-A4/TR7	98
95-21SYGC/S530-E2/TR7	98
95-21USRD/S357/TR7	98
95-21UYC/S530-A5/TR7	98
A09K-C71501H-AM	166
A09K-PA1501H-AM	166
A09K-SR1501H-AM	166
A09K-UR1501H-AM	166
A09K-UY1501H-AM	166

ALFS1BD-C010001L1-AM	163
ALFS2BD-C010001L1-AM	163
ALFS3BD-C010001L1-AM	163
ALFS4BD-C010001L1-AM	163
ALFS5BD-C010001L1-AM	163
B1001SYGWA/S530-E2	153
B1001USOWA/S530-A4	153
B1010SURD/S530-A3	153
B1010SYGD/S530-E3	153
BL-2016HC	183

BL-2016NN1TBW	183
BL-2016NN1THBC	183
BL-2604DN1P	181
BL-2835HC	184
BL-2835NN1TBW	184
BL-2835NN1THBC	184
BL-3003NN1P	181
BL-3004TN1P	181
BL-3006NN1P	180
BL-3030AZ2E	178

BL-3030CN2E	178
BL-3804GN1P	180
BL-3804TN1P	180
BL-3806KN1P	179
BL-3806NN1P	179
BL-4010NN1T	175
BL-4012NN1T	175
BL-4014CZ1T	176
BL-4014PN2U	176
BL-4206SN2P	179

BL-7016NZ2T	177
BL-7020NZ1T	177
BL-7020PZ2U	177
BLA-2810NZ1T	182
BLA-3014PZ1U	182
BLA-4014PZ1E	182
CH1216-C8W80801H-AM	173
CH2319-C07001H-AM	164
CH2319-PA07001H-AM	164
CH2319-PR03501H-AM	164

CH2319-UA7001H-AM	164
CH2525-RGBY0201H-AM	173
CH3535E-C03501L-AM	164
CH3535E-PA3501H-AM	164
CH3535E-PR3501H-AM	164
CH3535E-SR3501L-AM	164
CH3535E-UR3501L-AM	164
CH3535E-UY3501H-AM	164
D305SDRWB/S530-A3	141
D305SURWA/S530-A3	141

D306SURWA/S530-A3	141
D306USOWA/S530-A3	141
D425SDRWA/S530-A4	142
D425SURWA/S530-A3	142
D425SYGWA/S530-E2	142
D425USOWA/S530-A4	142
D426SURWB/S530-A3	142
D426SYGWA/S530-E2	142
D426USOWA/S530-A3	142
D426UYOWB/S530-A3	142

D511SURWB/S530-A3	142
D511SYGWB/S530-E2	142
D512SDRWB/S530-A3	143
D512SURWB/S530-A3	143
D512SYGWA/S530-E2	143
D515SURWA/S530-A3	143
D525SURWA/S530-A3	143
D525SYGWA/S530-E2	143
D526SURWA/S530-A3	144
D526USOWA/S530-A4	144

ELAT07-KB4050J5J7293910-F1S	94
ELAT07-NB2025J5J7293910-F3Y	94
ELAT07-NB5060J6J8283910-F3X	94
ELCH07-KB4050J5J8283910-F3H	93
ELCH07-NB2025J5J7283910-F3H	90
ELCH07-NB5060J6J8283910-F3H	90
ELCH07-NB5060J6J8283910-F3W	90
ELCH08-HB3545J6J8283910-FDS	93
ELCH08-KB4050J6J8283910-FDH	93
ELCH08-KB5060J7J9283810-FDX	93

ELCH08L-NB5060J7J9293610-F3S	94
ELCH08-NB5060J7J9283910-F1S	91
ELCH08-NF2025J5J8283910-FDH	90
ELCH08-NF5565J7J9283910-FDH	90
ELCH09-NB5060J8K2283910-FDX	91
ELCS14B-KB4050J6J8283910-FCZ	95
ELCS14G-NB2025J6J7293910-F3Y	95
ELCS14G-NB5060J6J8283910-F3X	95
ELCS17G-NB5060K5K8293916-F6Z	96
ELDA06-HB2555J3J8283910-FCX	95

ELDA08-NB5060J6J8283910-FCX	95
ELEM-KB5060F9J4294003-T6C	92
ELEM-NB5060J6J8293910-F3C	92
ELSW-E91B1-0LPNM-CB7B8	56
ELSW-F11B1-0LPNM-CB8B9	56
ELSW-F21B1-0LPNM-CBABB	56
ELSW-F61R1-0PPNM-AR5R6	56
ELSW-F61Y1-0EPNM-AA3A6	56
ELSW-F91O1-0EPNM-AR3R4	56
ELSWF-J61M1-6FPGS-C2700	58

ELSWF-J61M1-6FPGS-C2700	58
ELSWF-J61M1-6FPGS-C2700	59
ELSWF-J61M1-6FPGS-C3000	58
ELSWF-J61M1-6FPGS-C3000	58
ELSWF-J61M1-6FPGS-C3000	59
ELSWF-J61M1-6FPGS-C3500	58
ELSWF-J61M1-6FPGS-C3500	58
ELSWF-J61M1-6FPGS-C3500	59
ELSWF-J71N1-6FPGS-C4000	58
ELSWF-J71N1-6FPGS-C4000	58

ELSWF-J71N1-6FPGS-C4000	59
ELSWF-JJ1C1-6FPGS-C5000	58
ELSWF-JJ1C1-6FPGS-C5000	58
ELSWF-JJ1C1-6FPGS-C5000	59
ELSWF-JJ1C1-6FPGS-C5700	58
ELSWF-JJ1C1-6FPGS-C5700	58
ELSWF-JJ1C1-6FPGS-C5700	59
ELSWF-JJ1C1-6FPGS-C6500	58
ELSWF-JJ1C1-6FPGS-C6500	58
ELSWF-JJ1C1-6FPGS-C6500	59

ELSWF-R61L1-6FPNM-CB4B6	55
ELSWF-S41L1-6FPNM-CB4B6	55
ELSW-J31G1-0LPNM-CG1G2	56
ELSW-J31G1-0LPNM-CG2G3	56
ELSWN-R91E2-5EPNM-AD3D8(OR)	55
ELSW-Q91E1-0LPNM-AD3D8	55
ELSW-R21E1-0EPNM-AD3D8	55
ELSW-R21E1-0EPNM-AD3D8(OR)	55
ELSW-R51L1-0EPNM-CB4B6	55
ELUA2016OGB-P0010Q53040020-VA1M	85

ELUA2016OGB-P0010R53040060-V21M	85
ELUA2016OGB-P0010T73240500-VD1M	85
ELUA2016OGB-P6070Q43040020-VA1M	85
ELUA2016OGB-P6070R13040060-V21M	85
ELUA2016OGB-P6070T53240500-VD1M	85
ELUA2016OGB-P8090Q53040020-VA1M	85
ELUA2016OGB-P8090R43040060-V21M	85
ELUA2016OGB-P8090T73240500-VD1M	85
ELUA2016OGB-P9000Q53040020-VA1M	85
ELUA2016OGB-P9000R53040060-V21M	85

ELUA2016OGB-P9000T73240500-VD1M	85
ELUA3020LUB-P0010Q53040020-VA1D	86
ELUA3020LUB-P6070Q43040020-VA1D	86
ELUA3020LUB-P8090Q53040020-VA1D	86
ELUA3020LUB-P9000Q53040020-VA1D	86
ELUA3535NU3-P0010U736481K0-V41G	88
ELUA3535NU3-P6070U23648700-V41G	88
ELUA3535NU3-P8090U736481K0-V41G	88
ELUA3535NU3-P9000U736481K0-V41G	88
ELUA3535NU6-P0010U736481K0-V41G	88

ELUA3535NU6-P6070U23648700-V41G	88
ELUA3535NU6-P8090U736481K0-V41G	88
ELUA3535NU6-P9000U736481K0-V41G	88
ELUA3535OG5-P0010U23240500-VD1M	87
ELUA3535OG5-P6070U13240500-VD1M	87
ELUA3535OG5-P8090U23240500-VD1M	87
ELUA3535OG5-P9000U23240500-VD1M	87
ELUA3535OGB-P0010U23240500-VD1M	86
ELUA3535OGB-P6070U23240500-VD1M	86
ELUA3535OGB-P8090U23240500-VD1M	86

ELUA3535OGB-P9000U23240500-VD1M	86	SF405SURWA/S530-A3/S290	152	TSAN33DI-M-K277-EU008-D001T	60
ELUA4545OG3-P0010U23241500-VD1M	87	SF405UYOWA/A3/S290	152	TSAN33DI-M-K307-EU008-D001T	60
ELUA4545OG3-P6070U13241500-VD1M	87	SF511SURWA/S530-A3/S290	152	TSAN33DI-M-K407-EU008-D001T	60
ELUA4545OG3-P8090U23241500-VD1M	87	SF511SYGWA/S530-E2/S796	152	TSAN33DI-M-K507-EU008-E001T	60
ELUA4545OG3-P9000U23241500-VD1M	87	SF512SURWA/S530-A3/S290	152	TSAN33DI-M-K577-EU008-E001T	60
ELUC3535NUB-P7085Q05075020-S41Q	89	SS205SYGWA/S530-E2/S290	147	TSAN33DI-M-K657-EU008-E001T	60
ELYU03-5060J5J7294310-NO	96	SS205UYOWA/S530-A3/S290	147	TSAN4FFA-M-K277-EU016-E001C	61
ELYU03-5070J5J7294310-NO	96	SS205UYWA/S530-A3/S290	147	TSAN4FFA-M-K307-EU016-E001C	61
F415SURWA/S530-A3	146	SS206SURWA/S530-A3/S290	147	TSAN4FFA-M-K407-EU016-E001C	61
F415SURWB/S530-A3	146	SS206SYGWA/S530-E2/S290	147	TSAN4FFA-M-K507-EU016-F001C	61
F416SURWA/S530-A3	146	SS206USRWA/S530-A3/S290	147	TSAN4FFA-M-K577-EU016-F001C	61
F416SURWB/S530-A3	146	SS405SYGWA/S530-E2	148	TSAN4FFA-M-K657-EU016-F001C	61
F416SYGWA/S530-E3	146	SS406SYGWA/S530-E2	148	TSAN5003-M-K307-US040-F001C	62
F416USRWA/S530-A3	146	SS406UBWA/C470/S290	148	TSAN5003-M-K307-US060-F001C	62
F511SURWA/S530-A3	146	SS406USRWA/S530-A3/S290	148	TSAN-5602-M-K307-DC014-F001T	62
F511SURWB/S530-A3	146	SS406UWWA/S290	148	TSAN-5602-M-K407-DC014-F001T	62
F511SYGWA/S530-E2	146	SS506SURWA/S530-A4/S290	148	TSAN-5602-M-K657-DC014-G001T	62
F512SDRWB/S530-A3	147	SS506SYGWA/S530-E2	148	TSAN562P-M-A000-DC011-0001T	57
F512SURWA/S530-A3	147	SS511SURWA/S530-A3/S290	149	XI3030-C01501M-AM	165
F512SYGWA/S530-E2	147	SS511SYGWA/S530-E2/S290	149	XI3030-C03501M-AM	165
G62-127ET/KK8D-M2727X3X92530U6/2T	80	SS511UBWA/C470	149	XI3030-CO2501M-AM	165
G62-127ET/KK8D-M3030X4Y02530U6/2T	80	SS512SURWA/S530-A3/S290	149	XI3030P/B3C-D5060T2T625312Z15/2N	53
G62-127ET/KK8D-M3535X4Y02530U6/2T	80	SS512SYGWA/S530-E2	149	XI3030P/D3C-P4575S1S621271Z15/2N	53
G62-127ET/KK8D-M4040X6Y22530U6/2T	80	ST405SURWA/S530-A4/S290	150	XI3030P/F3C-P1545R5S115251Z15/2N	53
G62-127ET/KK8D-M5050X6Y22530U6/2T	80	ST405SYGWA/S530-E2	150	XI3030P/KK5C-H2712366Z15/2N	64
G62-127ET/KK8D-M5757X6Y22530U6/2T	80	ST405UYOWA/S530-A3/S290	150	XI3030P/KK5C-H3012866Z15/2N	64
G62-127ET/KK8D-M6565X6Y22530U6/2T	80	ST406SURWA/S530-A3/S290	151	XI3030P/KK5C-H4013366Z15/2N	64
GXI3030P/KK6C-M2727X2X826292U6/2T	63	ST406SYGWA/S530-E2	151	XI3030P/KK5C-H5013366Z15/2N	64
GXI3030P/KK6C-M3030X3X926292U6/2T	63	ST512SURWA/S530-A3/S290	151	XI3030P/KK5C-H5713366Z15/2N	64
GXI3030P/KK6C-M3535X3X926292U6/2T	63	ST512SYGWA/S530-E2/S290	151	XI3030P/KK5C-H6513366Z15/2N	64
GXI3030P/KK6C-M5050X5Y126292U6/2T	63	ST512UBWA/C470/S290	151	XI3030P/KK6C-H2712866Z15/2N	64
GXI3030P/KK6C-M6262X4Y026292U6/2T	63	T315SDRW/S530-A3	144	XI3030P/KK6C-H3013366Z15/2N	64
GXI3030P/KK6C-M6565X4Y026292U6/2T	63	T315SURWA/S530-A2	144	XI3030P/KK6C-H4013866Z15/2N	64
HNA1010W-IS02	157	T315SYGWA/S530-E2	144	XI3030P/KK6C-H5013866Z15/2N	64
HNA1515W-OS01	156	T315UYOWA/S530-A3	144	XI3030P/KK6C-H5713866Z15/2N	64
HNA1921W-OS01	156	T316SDRW/S530-A3	144	XI3030P/KK6C-H6513866Z15/2N	64
HNA1921W-OS02	156	T316SURWA/S530-A3	144	XI3030P/KK7C-H2713366Z15/2N	64
HNA2121W-IS01	158	T316SYGWA/S530-E2	144	XI3030P/KK7C-H3013866Z15/2N	64
HNB1921W-OS01	157	T511SUGWB/S400-A4/S800	145	XI3030P/KK7C-H4014366Z15/2N	64
HNB2727W-OS01	157	T511SURWA/S530-A3	145	XI3030P/KK7C-H5014366Z15/2N	64
M2881SURWA/S530-A3	153	T511SYGWA/S530-E2	145	XI3030P/KK7C-H5714366Z15/2N	64
M2881SYGWA/S530-E2	153	T511UYOWA/S530-A3	145	XI3030P/KK7C-H6514366Z15/2N	64
M2881UYWA/S530-A3	153	T512SURWA/S530-A3	145	XI3030-PA1501M-AM	165
M4A7A(12-in-1)	155	T512SURWB/S530-A3	145	XI3030-PA2501M-AM	165
M4A9A(12-in-1)	155	T512SYGWA/S530-E2	145	XI3030-PA3501H-AM	165
S1006SDRDB/A3/S660	140	T512SYGWB/S530-E2	145	XI3030-SR3501H-AM	165
S1006SURWA/S530-A3	140	T512USOWA/S530-A4	145	XI3030-UR1501M-AM	165
S1006SYGWA/S530-E2	140	T512UYOWA/S530-A3	145	XI3030-UR2501M-AM	165
S2326SURWA/S530-A3	141	TSAN0303-M-K277-EU010-D001T	60	XI3030-UR3501H-AM	165
S2326SYGWA/S530-E2	141	TSAN0303-M-K307-EU010-D001T	60		
S2326UBWA/C470	141	TSAN0303-M-K407-EU010-D001T	60		
S2326USOWA/S530-A4	141	TSAN0303-M-K507-EU010-E001T	60		
S315SYGWA/S530-E2	140	TSAN0303-M-K577-EU010-E001T	60		
S321SURWA/S530-A3	140	TSAN0303-M-K657-EU010-E001T	60		
S321USOWA/S530-A4	140	TSAN0505-M-K277-EU016-D001T	61		
SD405SURWA/S530-A3/S290	149	TSAN0505-M-K307-EU016-D001T	61		
SD405SYGWA/S530-E2	149	TSAN0505-M-K407-EU016-D001T	61		
SD406SURWA/S530-A4/S290	150	TSAN0505-M-K507-EU016-E001T	61		
SD406SYGWA/S530-E2/S290	150	TSAN0505-M-K577-EU016-E001T	61		
SD511SYGWA/S530-E2/S290	150	TSAN0505-M-K657-EU016-E001T	61		

ALPHANUMERIC INDEX

INFRARED LED, SENSORS, COUPLERS

4N25	262	EL0501	271	EL3022(P5)	277
4N26	262	EL050L	271	EL3023	278
4N27	262	EL0530	271	EL3023(P5)	277
4N28	262	EL0531	271	EL3031	278
4N29	269	EL0600	271	EL3031(P5)	277
4N30	269	EL0601	271	EL3032	278
4N31	269	EL060L	271	EL3032(P5)	277
4N32	269	EL0611	271	EL3033	278
4N33	269	EL0630	271	EL3033(P5)	277
4N35	262	EL0631	271	EL3041	278
4N36	262	EL0700	271	EL3041(P5)	277
4N37	262	EL0701	271	EL3042	278
4N38	262	EL1010-G	259	EL3042(P5)	277
6N135	272	EL1010H-G	266	EL3043	278
6N136	272	EL1012-G	259	EL3043(P5)	277
6N137	273	EL1013-G	259	EL3051	278
6N138	273	EL1014-G	259	EL3051(P5)	277
6N139	273	EL1017-G	259	EL3052	278
ALS-DPIC17-78C/L749/TR8	245	EL1018-G	259	EL3052(P5)	277
ALS-PD50-42C/TR8	244	EL1019-G	259	EL3053	278
ALS-PD70-01C/L664/TR7	243	EL101L-G	264	EL3053(P5)	277
ALS-PD70-01C/TR7	243	EL1110-G	260	EL3061	278
ALS-PDIC144-6C/L378	241	EL1112-G	260	EL3061(P5)	277
ALS-PDIC15-21B/TR8	242	EL1113-G	260	EL3062	278
ALS-PDIC15-21C/L230/TR8	242	EL1114-G	260	EL3062(P5)	277
ALS-PDIC17-51B/L758/TR8	243	EL1116-G	260	EL3063	278
ALS-PDIC17-55C/TR8	242	EL1117-G	260	EL3063(P5)	277
ALS-PDIC17-77B/TR8	243	EL1118-G	260	EL3081	278
ALS-PDIC17-77C/TR8	243	EL1119-G	260	EL3081(P5)	277
ALS-PDIC243-3B	241	EL121N	258	EL3082	278
ALS-PDIC243-3B/L525	241	EL205	258	EL3082(P5)	277
ALS-PDIC243-3C	241	EL206	258	EL3083	278
ALS-PT17-51C/L177/TR8	244	EL207	258	EL3083(P5)	277
ALS-PT17-51NB/L369/TR8	244	EL208	258	EL3120	281
ALS-PT19-315C/L177/TR8	244	EL211	258	EL354N-G	257
ALS-PT204-6C/L177	240	EL212	258	EL357L	263
ALS-PT243-3C/L177	240	EL213	258	EL357N-G	258
ALS-PT333-3C/L177	240	EL215	258	EL357NH-G	265
APM-12D23-20-DF8/TR8	245	EL216	258	EL357NL-G	264
APM-16D18-00-DF8/TR8	245	EL217	258	EL3H4-G	256
APM-16D24-310-DF8/TR8	245	EL2200	275	EL3H7-G	256
B-PD2018C1/L876/2T	208	EL2201	275	EL3H7H-G	265
BR15-22C/L586/R/TR8	191	EL2202	275	EL3H7L-G	264
BR15-22C/L586/TR8	191	EL2514-G	272	EL406A	280
CLS15-22C/L213B/TR8	246	EL2530	272	EL425A	280
CLS15-22C/L213G/TR8	246	EL2531	272	EL440A	280
CLS15-22C/L213R/TR8	246	EL2601	273	EL4502	272
CNY17-1	262	EL260L	273	EL4503	272
CNY17-2	262	EL2611	273	EL4504	272
CNY17-3	262	EL2630	273	EL452-G	267
CNY17-4	262	EL2631	273	EL460A	280
CNY17F-1	262	EL3010	278	EL606A	280
CNY17F-2	262	EL3010(P5)	277	EL617	261
CNY17F-3	262	EL3011	278	EL625A	280
CNY17F-4	262	EL3011(P5)	277	EL640A	280
CNY64	266	EL3012	278	EL660A	280
CNY65	267	EL3012(P5)	277	EL814	260
EL0452	271	EL3021	278	EL815	268
EL0453	271	EL3021(P5)	277	EL816	261
EL0500	271	EL3022	278	EL817	261

ALPHANUMERIC INDEX

INFRARED LED, SENSORS, COUPLERS

EL8171	263	ELT3082	276	HIR7393C	203
EL817-G	261	ELT3083	276	HIR83-01B/TR8	196
EL817H-G	266	ELW135	274	HIR8323/C16	204
EL817L-G	265	ELW136	274	HIR89-01C/1R	199
EL825	269	ELW137	274	HIR91-01C/L297/2T	199
EL827	262	ELW2601	274	HIR-C19D-1090/L708-P01/TR	200
EL840A	281	ELW2611	274	HIR-C19D-1N150/L649-P03/TR	200
EL847	263	ELW4503	274	HIR-C19D-1N90/L649-P03/TR	200
EL851	261	H11A1	262	HIR-21C/L491/TR8	188
EL852	268	H11A2	262	IR11-21C/TR8	188
EL860A	281	H11A3	262	IR12-206C/L268/TR8	192
ELD205	259	H11A4	262	IR12-206C/L774/TR8	192
ELD206	259	H11A5	262	IR12-21C/TR8	193
ELD207	259	H11AA1	261	IR15-21C/TR8	188
ELD211	259	H11AA2	261	IR16-213C/L510/TR8	188
ELD213	259	H11AA3	261	IR16-916C/L878/3C	193
ELD217	259	H11AA4	261	IR17-21C/TR8	189
ELD3H7	256	H11B1	269	IR19-217C/TR8	189
ELM3022	275	H11B2	269	IR19-21C/TR8	189
ELM3023	275	H11B255	269	IR19-315C/TR8	190
ELM3024	275	H11B3	269	IR204/H16/L10	201
ELM3042	275	H11L1	270	IR204/H60	201
ELM3043	275	H11L2	270	IR204-A	201
ELM3044	275	H11L3	270	IR204C/H16/L10	201
ELM3052	275	HIR11-21C/L11/TR8	188	IR204C-A	201
ELM3053	275	HIR12-21C/TR8	193	IR25-21C/TR8	190
ELM3054	275	HIR15-21C/TR8	188	IR26-21C/L110/TR8	190
ELM3062	275	HIR16-213C/L423/TR8	188	IR26-51C/L110/TR8	193
ELM3063	275	HIR16-916C/L854/3C	193	IR26-51C/L746/TR8	193
ELM3064	275	HIR17-21C/L289/TR8	189	IR26-61C/L675/TR8	194
ELM3082	275	HIR17-21C/TR8	189	IR26-61C/L745/TR8	194
ELM3083	275	HIR19-21C/L11/TR8	189	IR26-61C/L746/TR8	194
ELM3084	275	HIR19-21C/L289/TR8	189	IR26-61C/L786/R/TR8	194
ELM440A	279	HIR19-315C/L289/TR8	190	IR26-71C/L447/S63/TR8	194
ELM452	270	HIR19-315C/L825/TR8	190	IR26-71C/L746/TR8	194
ELM453	270	HIR204	201	IR26-91C/L510/2D	195
ELM453L	270	HIR204/H0	201	IR26-91C/L675/2D	195
ELM460A	279	HIR204C	201	IR26-91C/L710/2D	195
ELM600	270	HIR204C/H0	201	IR27-21C/TR8	195
ELM601	270	HIR234C	201	IR28-01C/L491/2R	195
ELM611	270	HIR25-21C/L423/TR8	190	IR28-01C/L698/2R	195
ELQ3H4	257	HIR26-21C/L289/CT	190	IR28-01C/L710/2R	195
ELQ3H7	257	HIR26-21C/L423/CT	190	IR29-01C/L510/R/TR8	196
ELR0223	279	HIR323C	202	IR323	202
ELR1223	279	HIR323C/H0	202	IR323/H0-A	202
ELR2223	279	HIR333/H0	202	IR333/H0	202
ELR3223	279	HIR333C/H0	202	IR333/H0/L10	202
ELT3021	276	HIR383C/L289	202	IR333-A	202
ELT3022	276	HIR42-21C/L289/TR8	191	IR333C	202
ELT3023	276	HIR42-21C/TR8	191	IR333C/H0/L10	202
ELT3041	276	HIR42-81C/L825/TR8	191	IR333C/H2	202
ELT3042	276	HIR67-21C/L11/TR8	197	IR383	202
ELT3043	276	HIR67-21C/L289/TR8	197	IR42-21C/TR8	191
ELT3051	276	HIR67-31AC/L638/TR8	197	IR42-81B/L491/TR8	191
ELT3052	276	HIR67-31JC/L638/TR8	197	IR533C	203
ELT3053	276	HIR7323C/L599	204	IR5443-14C/L527	205
ELT3061	276	HIR7353-14B/L762	202	IR57-21C/L491/R/TR8	196
ELT3062	276	HIR7373B/L289	203	IR57-21C/TR8	196
ELT3063	276	HIR7373C	203	IR67-21C/TR8	197
ELT3081	276	HIR7393B/L289	203		

ALPHANUMERIC INDEX

INFRARED LED, SENSORS, COUPLERS

IR67-41C/L491/TR8	198	IRM-H6xxM	233	ITR9908	249
IR7373C	203	IRM-H6xxM3	233	ITR9909	249
IR7393C	203	IRM-H6xxT	233	MCT2E	262
IR83-01C/L491/TR8	196	IRM-H8xxJ	234	PD12-206B/L512/TR8	207
IR8353-14C	204	IRM-H8xxJ2-C	234	PD12-21B/L458/TR8	207
IR8394-20C	205	IRM-H8XXJ8	234	PD15-21B/TR8	207
IR89-01C/L447/1R	199	IRM-H8XXJ9	234	PD15-21B/TR8	208
IR908-7C-F	206	IRM-H8xxM	234	PD19-315B/L503/TR8	208
IR91-01C/L491/2R	199	IRM-H8xxM3	234	PD204-6B	213
IR91-21C	200	IRM-H8xxM3-C	234	PD204-6C/L3	213
IR91-21C/TR10	200	IRM-H9xxM3	235	PD26-91B/L458/2C	209
IR91-21C/TR7	200	IRM-H9xxT	235	PD28-01B/L598/2R	209
IR92-01C/L491/2R	199	IRM-H9xxZ3	235	PD28-01B/L609/2R	209
IR92-01C/L735/2R	199	IRM-V5xxJ2	230	PD333-3B/H0/L2	214
IR928-6C-F	206	IRM-V5xxM	230	PD333-3C/H0/L2	213
IR95-21C/L491/TR7	200	IRM-V5xxM2	230	PD333-3C/H0/L811	213
IR95-21C/TR7	200	IRM-V5xxM3	230	PD333-3C/L793	213
IR968-8C	206	IRM-V5xxT	230	PD42-21B/TR8	210
IR-C19D-1090/L834-P01/TR	200	IRM-V8xxJ	231	PD42-21C/TR8	210
IR-C19D-N90/L562-P03/TR	200	IRM-V8xxJ2	231	PD438B	215
IRM-3638T2	226	IRM-V8xxJ2-C	231	PD438B/L1	215
IRM-36XXJ2	226	IRM-V8XXJ8	231	PD438B/S46	215
IRM-36XXJ7	226	IRM-V8XXJ9	231	PD438C	215
IRM-36XXJ8	226	IRM-V8xxM	231	PD438C/S46	215
IRM-36XXJ9	226	IRM-V8xxM2	231	PD44-37C/L753/TR8	210
IRM-36XXM	226	IRM-V8xxM3	231	PD51-40C/L665/TR8	210
IRM-36XXM2	226	IRM-V8xxM3-C	231	PD51-40C/TR8	210
IRM-36XXM2-X	226	IRM-V8xxT	231	PD5443-3B/L2	214
IRM-36XXM3	226	IRR15-22C/L491/TR8	191	PD60-48C/TR8	211
IRM-36XXM3-X	226	IRR60-48C/L661/TR8	192	PD638B	215
IRM-36XXM6	226	IRR60-48C/TR8	192	PD70-01B/TR10	211
IRM-36XXM-X	226	IRRG25-16C/L491/TR8	192	PD70-01B/TR7	211
IRM-36XXT	226	ITR1201SR10AR/TR	248	PD70-01C/L469/TR7	211
IRM-36XXT-X	226	ITR1203DT50A/TB	251	PD70-01C/TR10	211
IRM-36XXZ3	226	ITR1205ST11A/TR	251	PD70-01C/TR7	211
IRM-37xxM	229	ITR1502SR40A/TR8	247	PD83-01B/L458/TR8	212
IRM-37xxM2	229	ITR1504SR10A/TR	247	PD95-21B/TR10	212
IRM-37xxM3	229	ITR20001/T	250	PIR15-21C/TR8	188
IRM-37xxT	229	ITR20002	250	PLR135	236
IRM-66xxJ	227	ITR20005-F	255	PLR137	236
IRM-66XXJ2	227	ITR20403	255	PLR155	236
IRM-66xxM	227	ITR20501	250	PLR162	237
IRM-66xxM2	227	ITR8010	252	PLR162M	237
IRM-66xxM3	227	ITR8102	251	PLR233	236
IRM-66xxT	227	ITR8104	252	PLR237	236
IRM-76389	230	ITR8105	252	PLR253	236
IRM-8601JF	228	ITR8307	248	PLR262	237
IRM-8601M2	228	ITR8307/F43	247	PLT132	238
IRM-H2XXJ2	232	ITR8307/L24	248	PLT133	238
IRM-H2xxM2	232	ITR8307/L24/F43	247	PLT137	238
IRM-H2xxM3	232	ITR8307/L24/TR8	248	PLT232/L5	238
IRM-H2xxT	232	ITR8307/TR8	248	PLT237	238
IRM-H3xxJ	232	ITR8402-F-A	253	PLT262	239
IRM-H3XXJ8	232	ITR9606-F	253	PLT262M	239
IRM-H3xxM3	232	ITR9608-F	253	PLT272/L5	239
IRM-H5xxM	233	ITR9702-F	254	PM-8D23-20-DF8/TR8	245
IRM-H5xxM3	233	ITR9707	254	PT11-21C/L41/TR8	220
IRM-H5xxT	233	ITR9809-F/T	254	PT12-206B/L505/4G	220
IRM-H600JW	233	ITR9813	255	PT12-21B/TR8	220
IRM-H6xxJ7	233	ITR9904	249	PT12-21C/TR8	220

INFRARED LED, SENSORS, COUPLERS

PT1504-6B	218		
PT15-21B/TR8	221		
PT15-21C/TR8	221		
PT17-21B/L41/TR8	221		
PT17-21C/L41/TR8	221		
PT19-21B/L41/TR8	221		
PT19-21C/L41/TR8	221		
PT204-6B	216		
PT204-6C	216		
PT2559B/L2/H2-F	219		
PT2559B/L2-F	219		
PT26-21B/TR8	222		
PT26-21C/TR8	222		
PT26-51B/TR8	222		
PT26-71B/TR8	222		
PT28-21B/TR8	223		
PT333-3B	217		
PT333-3C	216		
PT334-6B	217		
PT334-6C	217		
PT42-21B/TR8	223		
PT534-6B	218		
PT5529B/L2/H2-F	219		
PT5529B/L2-F	219		
PT57-21B/TR8	224		
PT67-21B/C14/TR8	224		
PT67-21C/L41/TR8	224		
PT908-7B-F	218		
PT908-7C-F	218		
PT91-21B	225		
PT91-21B/TR10	225		
PT91-21B/TR7	225		
PT91-21B/TR9	225		
PT91-21C	225		
PT91-21C/TR10	225		
PT91-21C/TR7	225		
PT928-6B-F	219		
PT928-6C-F	219		
PT968-8C	219		
SIR11-21C/L294/TR8	188		
SIR12-21C/TR8	193		
SIR19-21C/TR8	189		
SIR19-315C/TR8	190		
SIR204-A	201		
SIR204C	201		
SIR234	201		
SIR333-A	202		
SIR383C	202		
SIR42-81C/L543/TR8	191		
SIR67-21C/TR8	197		
SIR91-21C/TR7	200		
SIR95-21C/TR10	200		
TIL111	262		
TIL113	269		
TIL117	262		

CONDITIONS OF RoHS

From July 1st, 2006, RoHS requires that all electrical equipment should not contain lead, mercury, cadmium, hexavalent chromium, polybrominated biphenyls (PBBs) or poly brominated diphenyl ethers (PBDEs), and the elements are restricted to certain amount (such as mercury in a wound lighting tube <5 mg, lead in CRT glass, soldering tin, etc.). Before the date every member of European Union must obey of environment on chemical regulation.



- According to RoHS part, the norm of restrict and limit used substance adopted by EVERLIGHT.

Name	Description	Criteria
Cadmium	Cadmium and its compounds must not be present in parts, components, materials or products. Cadmium and its compounds must not used as stabilizers, coloring agent or as a surface coating treatment in parts, components, materials or products.	< 5 ppm (Plastics) < 75 ppm (Metals)
Lead restrictions	Lead and/or lead compounds shall not be present in hardware components or parts, however, except solder, electrical components and interconnect materials. Lead carbonates and sulfates must not be used in any paint applied to parts, component, or products.	< 100 ppm (Plastics) < 1000 ppm (Others)
Mercury restrictions	Mercury must not be contained in any part, material, components or product, including, but not limited to switches, relays or electrical contacts. This restriction does not apply to lamps with less than 10 mg if mercury.	< 5 ppm
Hexavalent chromium (chromium VI) and hexavalent chromium compounds	Hexavalent chromium (chromium VI) and hexavalent chromium compounds must not be present in parts, components, materials or products.	< 2 ppm
Polybrominated Biphenyls (PBBs)	Plastics parts, pomponents, materials and products must not contain Polybrominated Biphenyls as flame retardants, specific PBBs, but are not limited to those listed in attachment item.	< 5 ppm
Polybrominated Diphenyl Ethers (PBDEs)	Plastic parts, components, materials and products must not contain Polybrominated Biphenyl Ethers, known as flame retardants, specific PBBEs, including, but are not limited to, those listed in attachment item.	< 5 ppm

Compliant with the following condition :

- Please visit EVERLIGHT website for more updated information about third party test reports and RoHS declarations. (www.everlight.com)

Шевелёв Илья
 Skype: IMELECTIME
 Рабочий: +7 (495) 204-13-84 доб. 1108
 Моб: +7 915 116 02 80
 E-mail: im@ledlamps.ru

APPLICATION NOTICE

Since we are continuously improving all of our products, the information listed in this Catalogue, which includes specifications, characteristics, data, materials used, structure, etc., are subject to change without prior notice. It is necessary that you request the newest specification sheet from EVERLIGHT when you place any inquiry or purchase order.

Please carefully read the specification sheet, and confirm your acceptance of the content. EVERLIGHT does not accept any liabilities for damages occurred due to the customer's lack of confirming the newest product specification.

It is important to strictly follow the maximum limit and other important instructions listed on the specifications sheet when using EVERLIGHT's products. The following is a list of special notes for products used in specific applications. It is recommended that customers read the instructions carefully before installing the products. Again, EVERLIGHT does not accept any liabilities for any improper use of EVERLIGHT's product or failure to follow the instructions listed herein:

Special Instruction:

1. Products listed in this Catalogue are designed primarily for the application listed below:
A : Calculators
B : Measurement equipment
C : AV machines
D : QA machines
E : Operating machines
F : Consumer electronics
G : Telecommunications

While products meet the application listed above, additional attention is required when products are to be utilized in the instruments listed under Special Instruction Notes 2 and 3.

2. When high reliability and safety concerns are required, it is very important that the design be made to focus on safety and long term reliability. Special care should be given to assure that EVERLIGHT's products integrate and function properly with all other parts of the instrument. Instruments fall into these categories include:

- A : Instruments attached to transportation tools
(aircraft, train, automobile)
- B : Traffic signs
- C : Gas leaking detectors and gas shutters
- D : Fire detectors
- E : Other safety detectors

3. When extremely high reliability and safety concerns are required, it is necessary that you contact EVERLIGHT for additional information before use. Instruments fall into these categories include:

- A : Aerospace instruments
- B : Telecommunication tools (main line)
- C : Nuclear weapon controls
- D : Medical instruments

4. Should you have any additional questions, please contact EVERLIGHT for details.

本資料所記載之製品的規格、特性、DATA、使用原料、構造...等，有時為了改良製品，無法事前通知，而逕行與予變更。因此請務必使用最新的規格書，並請針對內容加以確認。若因未確認規格書，導致使用次製品之機器或其他應用產品發生瑕疵時，敝公司將不負此責任。

使用本資料所記載之製品時，請遵守規格書所記載之絕對最大定格、使用上之注意事項，以及下列之注意點，若因不遵守規格書所記載之絕對最大定格、使用上之注意事項，以及下述之注意點，而導致發生損害問題時，敝公司將不負此責任。

注意項目：

1. 本資料所記載之製品，原則上是為了下述之用途而製造出來的產品
A: 電算機
B: OA機器
C: 通信機器
D: 計測機器
E: 工作機器
F: AV機器
G: 家電製品

若雖合乎上述用途，但是屬於下述2或3所記載之機器時，則需遵守個別產品之使用注意事項。

2. 若本資料所記載之製品用於下述講求高信賴性與安全性之用途時，因牽涉到機能與精度方面，為了維持這類機器的信賴性與安全性，請務必注重安全設計與長期性設計，並且需考慮整體機構的關係，依機器整體之安全設計來使用。
A: 運送機器(飛機、火車、汽車)與控制安全性等
 相關之產品
B: 交通信號機
C: 瓦斯漏氣檢測關閉機
D: 防災裝置
E: 各種安全裝置
3. 若本資料所記載之製品用於下述講求高信賴性與安全性之用途時，因牽涉到機能與精度方面，請事先與敝公司聯絡。
A: 太空機器(航太儀器)
B: 通信機器(幹線)
C: 原子彈控制機器
D: 醫療機器
4. 涉及上述注意事項之任何一項時，如有疑問，請和敝公司業務人員聯絡。

TECHNICAL DATA

HIGH POWER LED (SHWO 燦, SHWO(N) 燦(N))

CIE BINNING RANKS

Cool-White Bin Coordinates

5000K				
Bin	50K-1	50K-2	50K-3	50K-4
CIE X	0.346	0.338	0.337	0.345
	0.345	0.337	0.337	0.344
	0.353	0.345	0.344	0.352
	0.355	0.346	0.345	0.353
CIE Y	0.369	0.362	0.349	0.356
	0.356	0.349	0.337	0.343
	0.362	0.356	0.343	0.349
	0.376	0.369	0.356	0.362

5700K				
Bin	57K-1	57K-2	57K-3	57K-4
CIE X	0.329	0.321	0.321	0.329
	0.329	0.321	0.322	0.329
	0.337	0.329	0.329	0.337
	0.338	0.329	0.329	0.337
CIE Y	0.354	0.346	0.335	0.342
	0.342	0.335	0.324	0.331
	0.349	0.342	0.331	0.337
	0.362	0.354	0.342	0.349

6500K				
Bin	65K-1	65K-2	65K-3	65K-4
CIE X	0.312	0.303	0.305	0.313
	0.313	0.305	0.307	0.315
	0.321	0.313	0.315	0.322
	0.321	0.312	0.313	0.321
CIE Y	0.339	0.330	0.321	0.329
	0.329	0.321	0.311	0.319
	0.337	0.329	0.319	0.326
	0.348	0.339	0.329	0.337

Warm-White Bin Coordinates

2700K				
Bin	27K-1	27K-2	27K-3	27K-4
CIE X	0.469	0.456	0.447	0.459
	0.459	0.447	0.437	0.448
	0.470	0.459	0.448	0.459
	0.481	0.469	0.459	0.470
CIE Y	0.429	0.426	0.408	0.410
	0.410	0.408	0.389	0.392
	0.413	0.410	0.392	0.394
	0.432	0.429	0.410	0.413

3000K				
Bin	30K-1	30K-2	30K-3	30K-4
CIE X	0.443	0.430	0.422	0.435
	0.435	0.422	0.415	0.426
	0.447	0.435	0.426	0.437
	0.456	0.443	0.435	0.447
CIE Y	0.421	0.417	0.399	0.403
	0.403	0.399	0.381	0.385
	0.408	0.403	0.385	0.389
	0.426	0.421	0.403	0.408

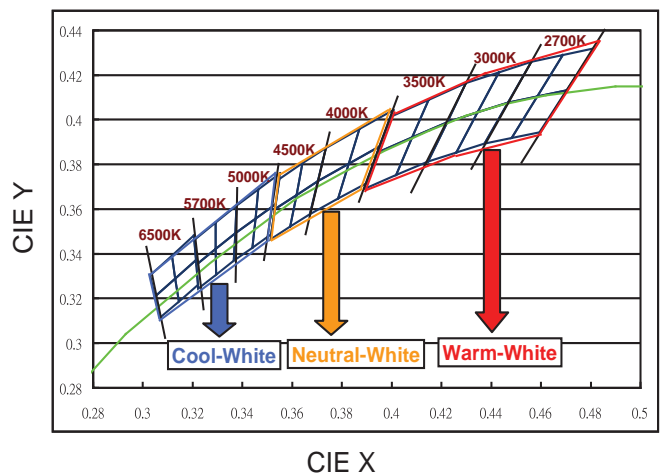
3500K				
Bin	35K-1	35K-2	35K-3	35K-4
CIE X	0.415	0.400	0.394	0.408
	0.408	0.394	0.389	0.402
	0.422	0.408	0.402	0.415
	0.430	0.415	0.408	0.422
CIE Y	0.409	0.402	0.385	0.392
	0.392	0.385	0.369	0.375
	0.399	0.392	0.375	0.381
	0.417	0.409	0.392	0.399

Natural-White Bin Coordinates

4000K				
Bin	40K-1	40K-2	40K-3	40K-4
CIE X	0.387	0.374	0.370	0.383
	0.383	0.370	0.367	0.378
	0.395	0.383	0.378	0.390
	0.401	0.387	0.383	0.395
CIE Y	0.396	0.387	0.373	0.380
	0.380	0.373	0.358	0.365
	0.388	0.380	0.365	0.372
	0.404	0.396	0.380	0.388

4500K				
Bin	45K-1	45K-2	45K-3	45K-4
CIE X	0.364	0.355	0.353	0.362
	0.362	0.353	0.351	0.359
	0.370	0.362	0.359	0.367
	0.374	0.364	0.362	0.370
CIE Y	0.381	0.374	0.360	0.366
	0.366	0.360	0.347	0.352
	0.373	0.366	0.352	0.358
	0.387	0.381	0.366	0.373

■ White Color Bin Structure



TECHNICAL DATA

HIGH POWER LED (SHWO 燦, SHWO(N) 燦(N))

BRIGHTNESS BINNING RANKS

Shwo

Brightness (lm)

Luminous Flux Bins

Group	Binning	Minimum Photometric Flux (lm)	Maximum Photometric Flux (lm)
E	1	4	5
	2	5	6
	3	6	8
	4	8	10
	5	10	13
	6	13	17
	7	17	20
	8	20	23
	9	23	27
F	1	27	33
	2	33	39
	3	39	45
	4	45	52
	5	52	60
	6	60	70
	7	70	80
	8	80	90
	9	90	100
J	1	100	110
	2	110	120
	3	120	130
	4	130	140
	5	140	150
	6	150	160
	7	160	180
	8	180	200
	9	200	225
K	1	225	250
	2	250	275
	3	275	300
	4	300	325
	5	325	350
	6	350	375
	7	375	400
	8	400	425
	9	425	450
N	1	450	475
	2	475	500
	3	500	525
	4	525	550

Shwo

Wavelength (nm)

Group	Binning	Minimum Dominant	Maximum Dominant
		Wavelength (nm)	Wavelength (nm)
B Blue/Royal-Blue	1	430	435
	2	435	440
	3	440	445
	4	445	450
	5	450	455
	6	455	460
	7	460	465
	8	465	470
G Green	1	520	525
	2	525	530
	3	530	535
	4	535	540
	5	540	545
	6	545	550
A Amber	1	580	582.5
	2	582.5	585
	3	585	587.5
	4	587.5	590
	5	590	592.5
	6	592.5	595
R Red	3	610	615
	4	615	620
	5	620	625
	6	625	630
	7	630	635
	1	635	640
	2	640	645
D Deep-Red	3	645	650
	4	650	655
	5	655	660
	6	660	665
	7	665	670
	8	670	675
	1	700	710
	2	710	715
F Far-Red	3	715	720
	4	720	725
	5	725	730
	6	730	735
	7	735	740
	8	740	745

HIGH POWER LED (SHWO_燦, SHWO(N)_{燦(N)})

FORWARD VOLTAGE BINNING RANKS

Forward Voltage Bins

Group Name	Bins	
A	U1+U2+U3	
B	U2+U3+U4	
C	V1+V2+V3	
D	V2+V3+V4	
E	V3+V4+V5	
F	V1+V2	
G	V1	
Bin	Minimum Forward Voltage (V)	Maximum Forward Voltage (V)
U1	1.75	2.05
U2	2.05	2.35
U3	2.35	2.65
U4	2.65	2.95
V1	2.95	3.25
V2	3.25	3.55
V3	3.55	3.85
V4	3.85	4.15
V5	4.15	4.45

TECHNICAL DATA

For Lighting Application Only

LOW MIDDLE POWER LED - SMD TYPE
CIE BINNING RANKS

Cool-White Bin Coordinates

5000K						
Bin	A	B	C	D	F	G
CIE X	0.3551	0.3464	0.3371	0.3533	0.3487	0.3482
	0.3464	0.3376	0.3366	0.3482	0.3425	0.3422
	0.3456	0.3371	0.3441	0.3477	0.3422	0.3418
	0.3487	0.3422	0.3448	0.3448	0.3482	0.3477
	0.3482	0.3425	0.3418	0.3441	--	--
	0.3533	0.3456	0.3422	0.3515	--	--
CIE Y	0.3760	0.3688	0.3493	0.3624	0.3629	0.3583
	0.3688	0.3616	0.3369	0.3583	0.3579	0.3533
	0.3604	0.3493	0.3428	0.3530	0.3533	0.3483
	0.3629	0.3533	0.3507	0.3507	0.3583	0.3530
	0.3583	0.3579	0.3483	0.3428	--	--
	0.3624	0.3604	0.3533	0.3487	--	--

5700K						
Bin	A	B	C	D	F	G
CIE X	0.3376	0.3292	0.3215	0.3371	0.3321	0.3321
	0.3292	0.3207	0.3222	0.3321	0.3261	0.3262
	0.3292	0.3215	0.3294	0.3320	0.3262	0.3263
	0.3321	0.3262	0.3293	0.3293	0.3321	0.3320
	0.3321	0.3261	0.3263	0.3294	--	--
	0.3371	0.3292	0.3262	0.3366	--	--
CIE Y	0.3616	0.3539	0.3353	0.3493	0.3490	0.3447
	0.3539	0.3462	0.3243	0.3447	0.3436	0.3395
	0.3464	0.3353	0.3306	0.3401	0.3395	0.3350
	0.3490	0.3395	0.3377	0.3377	0.3447	0.3401
	0.3447	0.3436	0.3350	0.3306	--	--
	0.3493	0.3464	0.3395	0.3369	--	--

6500K						
Bin	A	B	C	D	F	G
CIE X	0.3205	0.3117	0.3048	0.3213	0.3157	0.3161
	0.3117	0.3028	0.3068	0.3161	0.3093	0.3100
	0.3125	0.3048	0.3145	0.3166	0.3100	0.3106
	0.3157	0.3100	0.3136	0.3136	0.3161	0.3166
	0.3161	0.3093	0.3106	0.3145	--	--
	0.3213	0.3125	0.3100	0.3221	--	--
CIE Y	0.3481	0.3393	0.3209	0.3371	0.3360	0.3320
	0.3393	0.3304	0.3113	0.3320	0.3297	0.3259
	0.3328	0.3209	0.3187	0.3281	0.3259	0.3222
	0.3360	0.3259	0.3251	0.3251	0.3320	0.3281
	0.3320	0.3297	0.3222	0.3187	--	--
	0.3371	0.3328	0.3259	0.3261	--	--

Natural-White Bin Coordinates

4000K						
Bin	A	B	C	D	F	G
CIE X	0.4006	0.3871	0.3703	0.3952	0.3890	0.3873
	0.3871	0.3736	0.3670	0.3873	0.3793	0.3779
	0.3843	0.3703	0.3784	0.3854	0.3779	0.3764
	0.3890	0.3779	0.3810	0.3810	0.3873	0.3854
	0.3873	0.3793	0.3764	0.3784	--	--
	0.3952	0.3843	0.3779	0.3898	--	--
CIE Y	0.4044	0.3959	0.3726	0.3880	0.3887	0.3831
	0.3959	0.3874	0.3578	0.3831	0.3828	0.3773
	0.3858	0.3726	0.3647	0.3768	0.3773	0.3713
	0.3887	0.3773	0.3741	0.3741	0.3831	0.3768
	0.3831	0.3828	0.3713	0.3647	--	--
	0.3880	0.3858	0.3773	0.3716	--	--

4500K						
Bin	A	B	C	D	F	G
CIE X	0.3736	0.3642	0.3530	0.3703	0.3658	0.3648
	0.3642	0.3548	0.3512	0.3648	0.3592	0.3584
	0.3626	0.3530	0.3591	0.3637	0.3584	0.3575
	0.3658	0.3584	0.3607	0.3607	0.3648	0.3637
	0.3648	0.3592	0.3575	0.3591	--	--
	0.3703	0.3626	0.3584	0.3670	--	--
CIE Y	0.3874	0.3805	0.3601	0.3726	0.3738	0.3686
	0.3805	0.3736	0.3465	0.3686	0.3689	0.3640
	0.3714	0.3601	0.3522	0.3630	0.3640	0.3585
	0.3738	0.3640	0.3608	0.3608	0.3686	0.3630
	0.3686	0.3689	0.3585	0.3522	--	--
	0.3726	0.3714	0.3640	0.3578	--	--

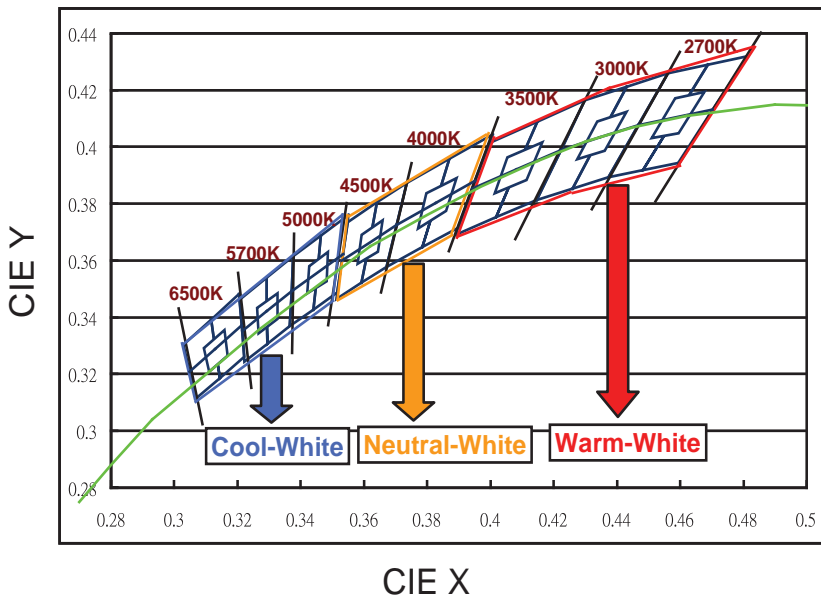
Warm-White Bin Coordinates

2700K						
Bin	A	B	C	D	F	G
CIE X	0.4813	0.4687	0.4465	0.4700	0.4667	0.4627
	0.4687	0.4562	0.4373	0.4627	0.4576	0.4539
	0.4621	0.4465	0.4483	0.4588	0.4539	0.4502
	0.4667	0.4539	0.4544	0.4544	0.4627	0.4588
	0.4627	0.4576	0.4502	0.4483	--	--
	0.4700	0.4621	0.4539	0.4593	--	--
CIE Y	0.4319	0.4289	0.4071	0.4126	0.4180	0.4109
	0.4289	0.4260	0.3893	0.4109	0.4158	0.4088
	0.4169	0.4071	0.3919	0.4041	0.4088	0.4020
	0.4180	0.4088	0.4030	0.4030	0.4109	0.4041
	0.4109	0.4158	0.4020	0.3919	--	--
	0.4126	0.4169	0.4088	0.3944	--	--

3000K						
Bin	A	B	C	D	F	G
CIE X	0.4562	0.4430	0.4221	0.4465	0.4422	0.4388
	0.4430	0.4299	0.4147	0.4388	0.4328	0.4297
	0.4375	0.4221	0.4259	0.4355	0.4297	0.4267
	0.4422	0.4297	0.4311	0.4311	0.4388	0.4355
	0.4388	0.4328	0.4267	0.4259	--	--
	0.4465	0.4375	0.4297	0.4373	--	--
CIE Y	0.4260	0.4212	0.3984	0.4071	0.4113	0.4043
	0.4212	0.4165	0.3814	0.4043	0.4079	0.4011
	0.4096	0.3984	0.3853	0.3977	0.4011	0.3946
	0.4113	0.4011	0.3962	0.3962	0.4043	0.3977
	0.4043	0.4079	0.3946	0.3853	--	--
	0.4071	0.4096	0.4011	0.3893	--	--

3500K						
Bin	A	B	C	D	F	G
CIE X	0.4299	0.4148	0.3943	0.4221	0.4159	0.4134
	0.4148	0.3996	0.3889	0.4134	0.4051	0.4029
	0.4106	0.3943	0.4018	0.4108	0.4029	0.4006
	0.4159	0.4029	0.4057	0.4057	0.4134	0.4108
	0.4134	0.4051	0.4006	0.4018	--	--
	0.4221	0.4106	0.4029	0.4147	--	--
CIE Y	0.4165	0.4090	0.3853	0.3984	0.4007	0.3943
	0.4090	0.4015	0.3690	0.3943	0.3954	0.3893
	0.3981	0.3853	0.3752	0.3878	0.3893	0.3829
	0.4007	0.3893	0.3853	0.3853	0.3943	0.3878
	0.3943	0.3954	0.3829	0.3752	--	--
	0.3984	0.3981	0.3893	0.3814	--	--

White Color Bin Structure



Chromaticity specification defined by ANSI

TECHNICAL DATA

For Lighting Application Only

LOW MIDDLE POWER LED - SURFACE MOUNT PLCC TYPE LED BRIGHTNESS BINNING RANKS

Luminous Flux Bins

Unit : lm

Bin code	Range	
	Min.	Max.
D1	0.5	1.0
D2	1.0	1.5
D3	1.5	2.0
D4	2.0	2.5
D5	2.5	3.0
D6	3.0	3.5
D7	3.5	4.0
D8	4.0	4.5
D9	4.5	5.0
BA	5.0	5.5
B1	5.5	6.0
B2	6.0	6.5
B3	6.5	7.0
B4	7.0	7.5
B5	7.5	8.0
B6	8.0	8.5
B7	8.5	9.0
B8	9.0	9.5
B9	9.5	10.0
L1	10.0	11.0
L2	11.0	12.0
L3	12.0	13.0
L4	13.0	14.0
L5	14.0	15.0
L6	15.0	16.0
L7	16.0	17.0
L8	17.0	18.0
L9	18.0	19.0
M3	19.0	21.0
M4	21.0	24.0
N3	24.0	27.0
N4	27.0	33.0
P3	33.0	39.0
P4	39.0	45.0
Q3	45.0	52.0
NB	32.0	36.0
PA	36.0	40.0
PB	40.0	45.0
QA	45.0	50.0
R1	50.0	55.0
R2	55.0	60.0
R3	60.0	65.0
R4	65.0	70.0
R5	70.0	76.0
R6	76.0	83.0
R7	83.0	90.0
R8	90.0	100.0
S1	100.0	110.0
S2	110.0	120.0
S3	120.0	130.0
S4	130.0	140.0
S5	140.0	150.0
S6	150.0	160.0
S7	160.0	170.0

VF Group Bin Code

Unit : V

Forward Voltage Group	Bin	Min.	Max.	
B2	B42	35	2.80	2.90
		36	2.90	3.00
		37	3.00	3.10
		38	3.10	3.20
		39	3.20	3.30
		40	3.30	3.40
		41	3.40	3.50
		42	3.50	3.60

Forward Voltage Group	Bin	Min.	Max.
5670	5#6	5.6	5.7
	5#7	5.7	5.8
	5#8	5.8	5.9
	5#9	5.9	6.0
	6#0	6.0	6.1
	6#1	6.1	6.2
	6#2	6.2	6.3
	6#3	6.3	6.4
	6#4	6.4	6.5
	6#5	6.5	6.6
	6#6	6.6	6.7
	6#7	6.7	6.8
	6#8	6.8	6.9
	6#9	6.9	7.0

Forward Voltage Group	Bin	Min.	Max.
8499	84C	8.4	8.7
	87C	8.7	9.0
	90C	9.0	9.3
	93C	9.3	9.6
	96C	9.6	9.9

SMD LED : SURFACE MOUNT CHIP LED (PCB TYPE) BRIGHTNESS BIN SELECTION

Luminous Intensity Groups

Unit : mcd

	C0: 0.28 ... 0.45	Q ▶	Q1: 72.0 ... 90.0
	D0: 0.45 ... 0.70		Q2: 90.0 ... 112
	E0: 0.70 ... 1.1	R ▶	R1: 112 ... 140
	F0: 1.1 ... 1.8		R2: 140 ... 180
	G0: 1.8 ... 2.8	S ▶	S1: 180 ... 225
	H0: 2.8 ... 4.5		S2: 225 ... 285
	J0: 4.5 ... 7.2	T ▶	T1: 285 ... 360
	K0: 7.2 ... 11.5		T2: 360 ... 450
L ▶	L1: 11.5 ... 14.5	U ▶	U1: 450 ... 565
	L2: 14.5 ... 18.0		U2: 565 ... 715
M ▶	M1: 18.0 ... 22.5		V0: 715 ... 1120
	M2: 22.5 ... 28.5		W0: 1120 ... 1800
N ▶	N1: 28.5 ... 36.0		X0: 1800 ... 2850
	N2: 36.0 ... 45.0		Y0: 2850 ... 4500
P ▶	P1: 45.0 ... 57.0		
	P2: 57.0 ... 72.0		

Note: The luminous intensity data did not include $\pm 15\%$ testing tolerance.

V_F (Forward Voltage Spec. Setup)

Unit : V

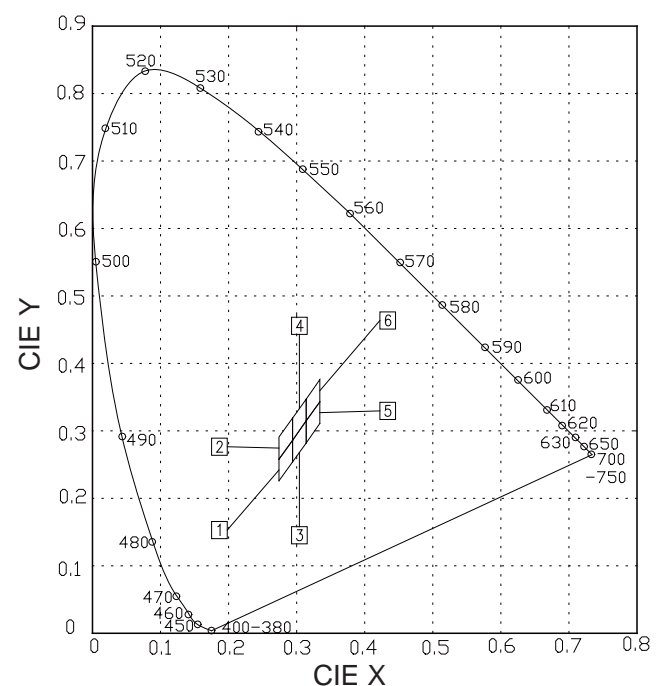
Forward Voltage Groups	Bin	Min.	Max.
	00	1.55	1.75
	0	1.75	1.95
	1	1.95	2.15
	2	2.15	2.35
	3	2.35	2.55
	4	2.55	2.75
	5	2.75	3.05
	6	3.05	3.35
	7	3.35	3.65
	8	3.65	3.95
	10	2.70	2.90
	11	2.90	3.10
	12	3.10	3.30
	13	3.30	3.50
	14	3.50	3.70
	15	2.70	2.85
	16	2.85	3.00
	17	3.00	3.15
	18	3.15	3.30

Note: The forward voltage data did not include $\pm 0.1V$ testing tolerance.

Bin Coordinate

Group	Bin Code	CIE_X	CIE_Y
A	1	0.274	0.226
		0.274	0.258
		0.294	0.286
		0.294	0.254
	2	0.274	0.258
		0.274	0.291
		0.294	0.319
		0.294	0.286
	3	0.294	0.254
		0.294	0.286
		0.314	0.315
		0.314	0.282
	4	0.294	0.286
		0.294	0.319
		0.314	0.347
		0.314	0.315
	5	0.314	0.282
		0.314	0.315
		0.334	0.343
		0.334	0.311
	6	0.314	0.315
		0.314	0.347
		0.334	0.376
		0.334	0.343

Bin Structure (White Light)



TECHNICAL DATA

For Lighting Application Only

SMD LED : SURFACE MOUNT PLCC LED (REFLECTOR) / LOW POWER LED
BRIGHTNESS BIN SELECTION

Luminous Intensity Groups

Unit : mcd

Bin Code	Min.	Max.	Bin Code	Min.	Max.
D1	0.5	1.0	NB	32.0	36.0
D2	1.0	1.5	PA	36.0	40.0
D3	1.5	2.0	PB	40.0	45.0
D4	2.0	2.5	QA	45.0	50.0
D5	2.5	3.0	R1	50.0	55.0
D6	3.0	3.5	R2	55.0	60.0
D7	3.5	4.0	R3	60.0	65.0
D8	4.0	4.5	R4	65.0	70.0
D9	4.5	5.0	R5	70.0	76.0
BA	5.0	5.5	R6	76.0	83.0
B1	5.5	6.0	R7	83.0	90.0
B2	6.0	6.5	R8	90.0	100.0
B3	6.5	7.0	S1	100.0	110.0
B4	7.0	7.5	S2	110.0	120.0
B5	7.5	8.0	S3	120.0	130.0
B6	8.0	8.5	S4	130.0	140.0
B7	8.5	9.0	S5	140.0	150.0
B8	9.0	9.5	S6	150.0	160.0
B9	9.5	10.0	S7	160.0	170.0
L1	10.0	11.0	T1	180.0	190.0
L2	11.0	12.0	T2	190.0	200.0
L3	12.0	13.0	T3	200.0	220.0
L4	13.0	14.0	T4	220.0	240.0
L5	14.0	15.0	T5	240.0	260.0
L6	15.0	16.0	T6	260.0	280.0
L7	16.0	17.0	T7	280.0	300.0
L8	17.0	18.0	T8	300.0	320.0
L9	18.0	19.0			
M3	19.0	21.0			
M4	21.0	24.0			
N3	24.0	27.0			
N4	27.0	33.0			
P3	33.0	39.0			
P4	39.0	45.0			
Q3	45.0	52.0			

V_F (Forward Voltage Spec. Setup)

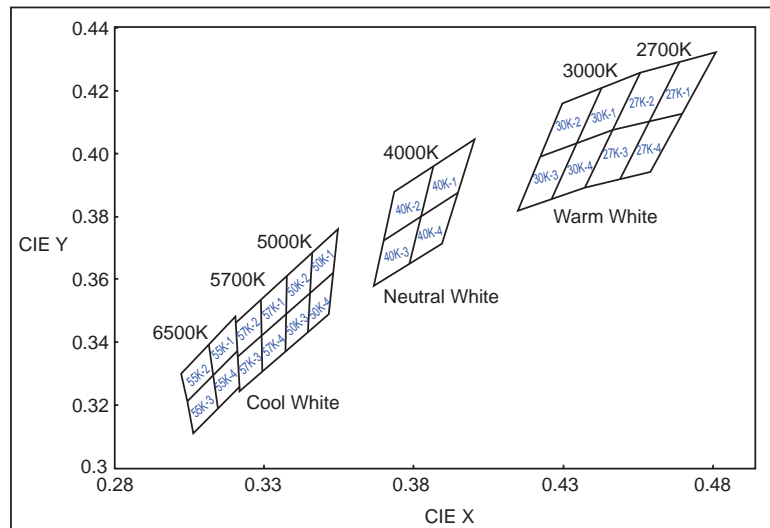
Unit : V (I_F=150mA)

Bin Group	Bin Code	Min.	Max.	
B42	B2	35	2.8	2.9
		36	2.9	3.0
		37	3.0	3.1
		38	3.1	3.2
		39	3.2	3.3
		40	3.3	3.4
		41	3.4	3.5
		42	3.5	3.6

Table of Color Rendering Index

Symbol	Description
M	CRI(Min.) : 60
N	CRI(Min.) : 65
L	CRI(Min.) : 70
Q	CRI(Min.) : 75
K	CRI(Min.) : 80
P	CRI(Min.) : 85
H	CRI(Min.) : 90

Bin Structure



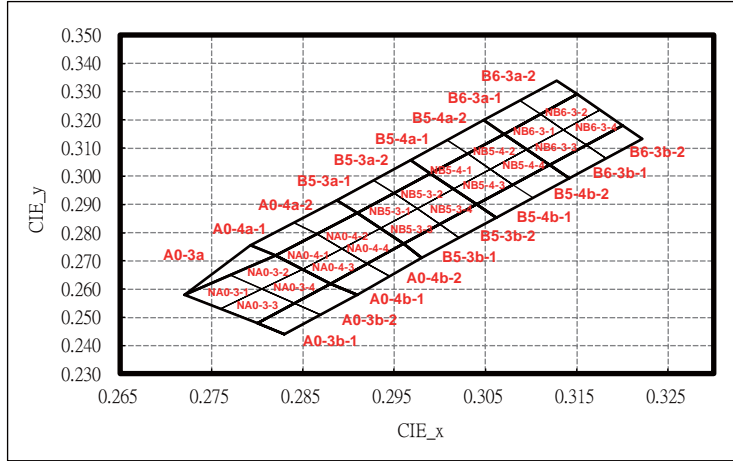
Bin Coordinate

CCT	Bin Code	CIE_x	CIE_y	Bin Code	CIE_x	CIE_y
6500K	65K-1	0.3205	0.3481	65K-3	0.3131	0.3290
		0.3117	0.3393		0.3048	0.3209
		0.3131	0.3290		0.3068	0.3113
		0.3213	0.3371		0.3145	0.3187
	65K-2	0.3117	0.3393	65K-4	0.3213	0.3371
		0.3028	0.3304		0.3131	0.3290
		0.3048	0.3209		0.3145	0.3187
		0.3131	0.3290		0.3221	0.3261
5700K	57K-1	0.3376	0.3616	57K-3	0.3293	0.3423
		0.3292	0.3539		0.3215	0.3353
		0.3293	0.3423		0.3222	0.3243
		0.3371	0.3493		0.3294	0.3306
	57K-2	0.3292	0.3539	57K-4	0.3371	0.3493
		0.3207	0.3462		0.3293	0.3423
		0.3215	0.3353		0.3294	0.3306
		0.3293	0.3423		0.3366	0.3369
5000K	50K-1	0.3551	0.3760	50K-3	0.3452	0.3558
		0.3464	0.3688		0.3371	0.3493
		0.3452	0.3558		0.3366	0.3369
		0.3533	0.3624		0.3441	0.3428
	50K-2	0.3464	0.3688	50K-4	0.3533	0.3624
		0.3376	0.3616		0.3452	0.3558
		0.3371	0.3493		0.3441	0.3428
		0.3452	0.3558		0.3515	0.3487
4000K	40K-1	0.4006	0.4044	40K-3	0.3828	0.3803
		0.3871	0.3959		0.3703	0.3726
		0.3828	0.3803		0.3670	0.3578
		0.3952	0.3880		0.3784	0.3647
	40K-2	0.3871	0.3959	40K-4	0.3952	0.3880
		0.3736	0.3874		0.3828	0.3803
		0.3703	0.3726		0.3784	0.3647
		0.3828	0.3803		0.3898	0.3716
3000K	30K-1	0.4562	0.4260	30K-3	0.4345	0.4033
		0.4431	0.4213		0.4223	0.3990
		0.4345	0.4033		0.4147	0.3814
		0.4468	0.4077		0.4260	0.3854
	30K-2	0.4431	0.4213	30K-4	0.4468	0.4077
		0.4299	0.4165		0.4345	0.4033
		0.4223	0.3990		0.4260	0.3854
		0.4345	0.4033		0.4373	0.3893
2700K	27K-1	0.4813	0.4319	27K-3	0.4585	0.4104
		0.4688	0.4290		0.4468	0.4077
		0.4585	0.4104		0.4373	0.3893
		0.4703	0.4132		0.4483	0.3919
	27K-2	0.4688	0.4290	27K-4	0.4703	0.4132
		0.4562	0.4260		0.4585	0.4104
		0.4468	0.4077		0.4483	0.3919
			0.4104			0.3944

TECHNICAL DATA

SMD LED (99 SERIES) BRIGHTNESS BIN SELECTION

Chromaticity Diagram



Bin Code of Chromaticity Coordinates

Bin Code	CIE_x	CIE_y	Bin Code	CIE_x	CIE_y	Bin Code	CIE_x	CIE_y	Bin Code	CIE_x	CIE_y
NA0-3-1	0.2760	0.2530	NA0-3-2	0.2805	0.2600	NA0-4-1	0.2850	0.2670	NA0-4-2	0.2893	0.2743
	0.2720	0.2580		0.2770	0.2650		0.2820	0.2720		0.2865	0.2795
	0.2770	0.2650		0.2820	0.2720		0.2865	0.2795		0.2910	0.2870
	0.2805	0.2600		0.2850	0.2670		0.2893	0.2743		0.2935	0.2815
NA0-3-3	0.2800	0.2480	NA0-3-4	0.2840	0.2550	NA0-4-3	0.2880	0.2620	NA0-4-4	0.2920	0.2690
	0.2760	0.2530		0.2805	0.2600		0.2850	0.2670		0.2893	0.2743
	0.2805	0.2600		0.2850	0.2670		0.2893	0.2743		0.2935	0.2815
	0.2840	0.2550		0.2880	0.2620		0.2920	0.2690		0.2960	0.2760
A0-3b-1	0.2830	0.2440	A0-3b-2	0.2870	0.2510	A0-4b-1	0.2910	0.2580	A0-4b-2	0.2945	0.2645
	0.2800	0.2480		0.2840	0.2550		0.2880	0.2620		0.2920	0.2690
	0.2840	0.2550		0.2880	0.2620		0.2920	0.2690		0.2960	0.2760
A0-4a-1	0.2870	0.2510	A0-4a-2	0.2910	0.2580	B5-3a-1	0.2945	0.2645	B5-3a-2	0.2980	0.2710
	0.2820	0.2720		0.2865	0.2795		0.2910	0.2870		0.2950	0.2940
	0.2793	0.2755		0.2840	0.2836		0.2887	0.2916		0.2928	0.2987
A0-3a	0.2840	0.2836	NB5-3-1	0.2887	0.2916	NB5-3-2	0.2928	0.2987	NB5-3-3	0.2968	0.3058
	0.2865	0.2795		0.2910	0.2870		0.2950	0.2940		0.2990	0.3010
	0.2720	0.2580		0.2935	0.2815		0.2975	0.2885		0.3015	0.2955
	0.2793	0.2755		0.2910	0.2870		0.2950	0.2940		0.2975	0.2885
NB5-3-3	0.2820	0.2720	NB5-3-4	0.2865	0.2795	B5-4b-1	0.2935	0.2815	B5-4b-2	0.2975	0.2885
	0.2793	0.2755		0.2840	0.2836		0.3062	0.2853		0.3102	0.2923
	0.2840	0.2836		0.2887	0.2916		0.3040	0.2900		0.3080	0.2970
	0.2865	0.2795		0.2928	0.2987		0.3080	0.2970		0.3120	0.3040
B5-3b-1	0.2910	0.2580	B5-3b-2	0.2910	0.2580	B6-3a-1	0.3102	0.2923	B6-3a-2	0.3142	0.2993
	0.2960	0.2760		0.3000	0.2830		0.3070	0.3150		0.3110	0.3220
	0.3000	0.2830		0.3021	0.2782		0.3048	0.3198		0.3088	0.3268
	0.3021	0.2782		0.3000	0.2830		0.3088	0.3268		0.3128	0.3338
B5-4a-1	0.3062	0.2853	B5-4a-2	0.3062	0.2853	NB6-3-1	0.3110	0.3220	NB6-3-2	0.3150	0.3290
	0.2990	0.3010		0.3030	0.3080		0.3095	0.3095		0.3135	0.3165
	0.2968	0.3058		0.3008	0.3128		0.3070	0.3150		0.3110	0.3220
	0.3008	0.3128		0.3048	0.3198		0.3110	0.3220		0.3150	0.3290
NB5-4-1	0.3030	0.3080	NB5-4-2	0.3070	0.3150	NB6-3-3	0.3135	0.3165	NB6-3-4	0.3175	0.3235
	0.3015	0.2955		0.3055	0.3025		0.3120	0.3040		0.3160	0.3110
	0.2990	0.3010		0.3030	0.3080		0.3095	0.3095		0.3135	0.3165
NB5-4-3	0.3030	0.3080	NB5-4-4	0.3070	0.3150	B6-3b-1	0.3135	0.3165	B6-3b-2	0.3175	0.3235
	0.3055	0.3025		0.3095	0.3095		0.3160	0.3110		0.3200	0.3180
	0.3040	0.2900		0.3080	0.2970		0.3142	0.2993		0.3182	0.3063
	0.3015	0.2955		0.3055	0.3025		0.3120	0.3040		0.3160	0.3110
NB5-4-3	0.3055	0.3025	NB5-4-4	0.3095	0.3095	B6-3b-1	0.3160	0.3110	B6-3b-2	0.3200	0.3180
	0.3080	0.2970		0.3120	0.3040		0.3182	0.3063		0.3222	0.3133
	0.3055	0.3025		0.3095	0.3095		0.3160	0.3110		0.3200	0.3180

V_F (Forward Voltage Spec. Setup)

Unit : V

Bin	Unit: V	
	Min.	Max.
D26	2.60	2.70
D27	2.70	2.80
D28	2.80	2.90
D29	2.90	3.00
D30	3.00	3.10
D31	3.10	3.20
D32	3.20	3.30
D33	3.30	3.40
D34	3.40	3.50

Note: Tolerance of Forward Voltage: $\pm 0.05V$

Luminous Flux

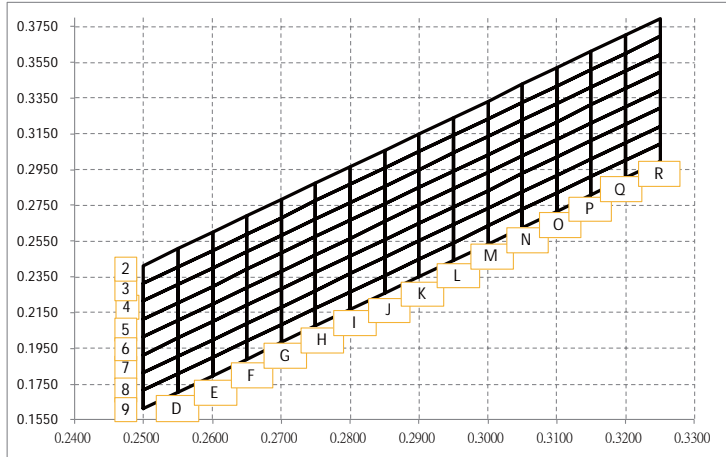
Bin	Unit: lm		Unit: mcd.	
	Min	Max	Min	Max
B45	4.50	4.75	1605	1695
B47	4.75	5.00	1695	1785
B50	5.00	5.25	1785	1875
B52	5.25	5.50	1875	1965
B55	5.50	5.75	1965	2055
B57	5.75	6.00	2055	2145
B60	6.00	6.25	2145	2235
B62	6.25	6.50	2235	2325
B65	6.50	6.75	2325	2415
B67	6.75	7.00	2415	2505
B70	7.00	7.25	2505	2595
B72	7.25	7.50	2595	2685
B75	7.50	7.75	2685	2775
B77	7.75	8.00	2775	2865
B80	8.00	8.25	2865	2955
B82	8.25	8.50	2955	3045
B85	8.50	8.75	3045	3135
B87	8.75	9.00	3135	3225
B90	9.00	9.25	3225	3315
B92	9.25	9.50	3315	3405
B95	9.50	9.75	3405	3495
B97	9.75	10.00	3495	3585

Note: Tolerance of Luminous Flux: $\pm 7\%$.

TECHNICAL DATA

SMD LED (3003,3006 SERIES) BRIGHTNESS BIN SELECTION

Chromaticity Diagram



Bin code of Chromaticity Coordinates

Bin	CIE_x	CIE_y	Bin	CIE_x	CIE_y	Bin	CIE_x	CIE_y	Bin	CIE_x	CIE_y	Bin	CIE_x	CIE_y
D2	0.2500	0.2314	E2	0.2550	0.2406	F2	0.2600	0.2498	G2	0.2650	0.2590	H2	0.2700	0.2682
	0.2500	0.2414		0.2550	0.2506		0.2600	0.2598		0.2650	0.2690		0.2700	0.2782
	0.2550	0.2506		0.2600	0.2598		0.2650	0.2690		0.2700	0.2782		0.2750	0.2874
	0.2550	0.2406		0.2600	0.2498		0.2650	0.2590		0.2700	0.2682		0.2750	0.2774
D3	0.2500	0.2314	E3	0.2550	0.2406	F3	0.2600	0.2498	G3	0.2650	0.2590	H3	0.2700	0.2682
	0.2500	0.2214		0.2550	0.2306		0.2600	0.2398		0.2650	0.2490		0.2700	0.2582
	0.2500	0.2314		0.2550	0.2406		0.2600	0.2498		0.2650	0.2590		0.2700	0.2682
	0.2550	0.2406		0.2600	0.2498		0.2650	0.2590		0.2700	0.2682		0.2750	0.2774
D4	0.2500	0.2214	E4	0.2550	0.2306	F4	0.2600	0.2398	G4	0.2650	0.2490	H4	0.2700	0.2582
	0.2500	0.2114		0.2550	0.2206		0.2600	0.2298		0.2650	0.2390		0.2700	0.2482
	0.2500	0.2214		0.2550	0.2306		0.2600	0.2398		0.2650	0.2490		0.2700	0.2582
	0.2550	0.2306		0.2600	0.2398		0.2650	0.2490		0.2700	0.2582		0.2750	0.2674
D5	0.2500	0.2206	E5	0.2550	0.2298	F5	0.2600	0.2390	G5	0.2650	0.2482	H5	0.2700	0.2574
	0.2500	0.2106		0.2550	0.2198		0.2600	0.2290		0.2650	0.2382		0.2750	0.2474
	0.2500	0.2014		0.2550	0.2106		0.2600	0.2198		0.2650	0.2290		0.2700	0.2382
	0.2550	0.2106		0.2600	0.2198		0.2650	0.2290		0.2700	0.2382		0.2750	0.2474
D6	0.2500	0.2014	E6	0.2550	0.2006	F6	0.2600	0.2098	G6	0.2650	0.2190	H6	0.2700	0.2282
	0.2500	0.1914		0.2550	0.2006		0.2600	0.2098		0.2650	0.2190		0.2700	0.2282
	0.2550	0.2106		0.2600	0.2198		0.2650	0.2290		0.2700	0.2382		0.2750	0.2474
	0.2550	0.2006		0.2600	0.2098		0.2650	0.2190		0.2700	0.2282		0.2750	0.2374
D7	0.2500	0.1914	E7	0.2550	0.2006	F7	0.2600	0.2098	G7	0.2650	0.2190	H7	0.2700	0.2282
	0.2500	0.1814		0.2550	0.1906		0.2600	0.1998		0.2650	0.2090		0.2700	0.2182
	0.2500	0.1914		0.2550	0.2006		0.2600	0.2098		0.2650	0.2190		0.2700	0.2282
	0.2550	0.2006		0.2600	0.2098		0.2650	0.2190		0.2700	0.2282		0.2750	0.2374
D8	0.2500	0.1906	E8	0.2550	0.1998	F8	0.2600	0.2090	G8	0.2650	0.2182	H8	0.2700	0.2274
	0.2500	0.1814		0.2550	0.1906		0.2600	0.1998		0.2650	0.2090		0.2700	0.2182
	0.2550	0.2006		0.2600	0.2098		0.2650	0.2190		0.2700	0.2282		0.2750	0.2374
	0.2550	0.1906		0.2600	0.1898		0.2650	0.1990		0.2700	0.2082		0.2750	0.2174
D9	0.2500	0.1714	E9	0.2550	0.1806	F9	0.2600	0.1898	G9	0.2650	0.1990	H9	0.2700	0.2082
	0.2500	0.1614		0.2550	0.1706		0.2600	0.1798		0.2650	0.1890		0.2700	0.1982
	0.2500	0.1714		0.2550	0.1806		0.2600	0.1898		0.2650	0.1990		0.2700	0.2082
	0.2550	0.1806		0.2600	0.1898		0.2650	0.1990		0.2700	0.2082		0.2750	0.2174
D9	0.2550	0.1706	E9	0.2600	0.1798	F9	0.2650	0.1890	G9	0.2700	0.1982	H9	0.2750	0.2074
	0.2500	0.1614		0.2550	0.1706		0.2600	0.1798		0.2650	0.1890		0.2700	0.1982

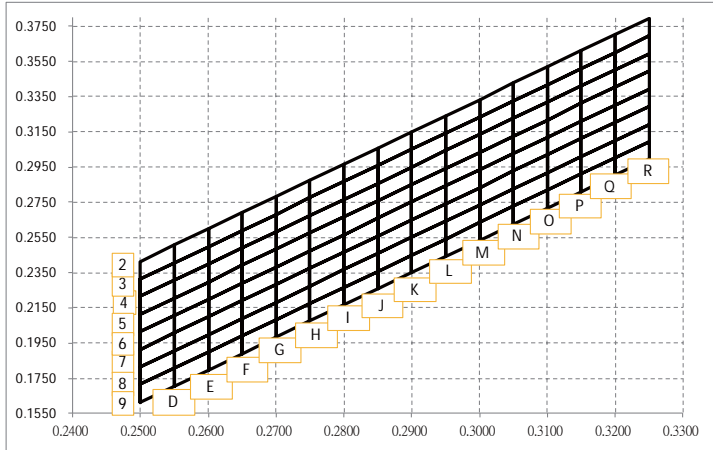
Bin code of Chromaticity Coordinates

Bin	CIE_x	CIE_y	Bin	CIE_x	CIE_y	Bin	CIE_x	CIE_y	Bin	CIE_x	CIE_y	Bin	CIE_x	CIE_y		
I2	0.2750	0.2774	J2	0.2800	0.2866	K2	0.2850	0.2958	L2	0.2900	0.3050	M2	0.2950	0.3142		
	0.2750	0.2874		0.2800	0.2966		0.2850	0.3058		0.2850	0.3058		0.2900	0.3150	0.2950	0.3242
	0.2800	0.2966		0.2850	0.3058		0.2900	0.3150		0.2950	0.3242		0.3000	0.3334		
	0.2800	0.2866		0.2850	0.2958		0.2900	0.3050		0.2950	0.3142		0.3000	0.3234		
	0.2750	0.2774		0.2800	0.2866		0.2850	0.2958		0.2900	0.3050		0.2950	0.3142		
I3	0.2750	0.2674	J3	0.2800	0.2766	K3	0.2850	0.2858	L3	0.2900	0.2950	M3	0.2950	0.3042		
	0.2750	0.2774		0.2800	0.2866		0.2850	0.2958		0.2850	0.2958		0.2900	0.3050	0.2950	0.3142
	0.2800	0.2866		0.2850	0.2958		0.2900	0.3050		0.2950	0.3142		0.3000	0.3234		
	0.2800	0.2766		0.2850	0.2858		0.2900	0.2950		0.2950	0.3042		0.3000	0.3134		
	0.2750	0.2674		0.2800	0.2766		0.2850	0.2858		0.2900	0.2950		0.2950	0.3042		
I4	0.2750	0.2574	J4	0.2800	0.2666	K4	0.2850	0.2758	L4	0.2900	0.2850	M4	0.2950	0.2942		
	0.2750	0.2674		0.2800	0.2766		0.2850	0.2858		0.2900	0.2950		0.2950	0.3042		
	0.2800	0.2766		0.2850	0.2858		0.2900	0.2950		0.2950	0.3042		0.3000	0.3134		
	0.2800	0.2666		0.2850	0.2758		0.2900	0.2850		0.2950	0.2942		0.3000	0.3034		
	0.2750	0.2574		0.2800	0.2666		0.2850	0.2758		0.2900	0.2850		0.2950	0.2942		
I5	0.2750	0.2474	J5	0.2800	0.2566	K5	0.2850	0.2658	L5	0.2900	0.2750	M5	0.2950	0.2842		
	0.2750	0.2574		0.2800	0.2666		0.2850	0.2758		0.2900	0.2850		0.2950	0.2942	0.2950	0.2842
	0.2800	0.2666		0.2850	0.2758		0.2900	0.2850		0.2950	0.2842		0.3000	0.2934		
	0.2800	0.2566		0.2850	0.2658		0.2900	0.2750		0.2950	0.2842		0.3000	0.2934		
	0.2750	0.2474		0.2800	0.2566		0.2850	0.2658		0.2900	0.2750		0.2950	0.2842		
I6	0.2750	0.2374	J6	0.2800	0.2466	K6	0.2850	0.2558	L6	0.2900	0.2650	M6	0.2950	0.2742		
	0.2750	0.2474		0.2800	0.2566		0.2850	0.2658		0.2900	0.2750		0.2950	0.2842		
	0.2800	0.2566		0.2850	0.2658		0.2900	0.2750		0.2950	0.2842		0.3000	0.2934		
	0.2800	0.2466		0.2850	0.2558		0.2900	0.2650		0.2950	0.2742		0.3000	0.2834		
	0.2750	0.2374		0.2800	0.2466		0.2850	0.2558		0.2900	0.2650		0.2950	0.2742		
I7	0.2750	0.2274	J7	0.2800	0.2366	K7	0.2850	0.2458	L7	0.2900	0.2550	M7	0.2950	0.2642		
	0.2750	0.2374		0.2800	0.2466		0.2850	0.2558		0.2900	0.2650		0.2950	0.2742		
	0.2800	0.2466		0.2850	0.2558		0.2900	0.2650		0.2950	0.2742		0.3000	0.2834		
	0.2800	0.2366		0.2850	0.2458		0.2900	0.2550		0.2950	0.2642		0.3000	0.2734		
	0.2750	0.2274		0.2800	0.2366		0.2850	0.2458		0.2900	0.2550		0.2950	0.2642		
I8	0.2750	0.2174	J8	0.2800	0.2266	K8	0.2850	0.2358	L8	0.2900	0.2450	M8	0.2950	0.2542		
	0.2750	0.2274		0.2800	0.2366		0.2850	0.2458		0.2900	0.2550		0.2950	0.2642		
	0.2800	0.2366		0.2850	0.2458		0.2900	0.2550		0.2950	0.2642		0.3000	0.2734		
	0.2800	0.2266		0.2850	0.2358		0.2900	0.2450		0.2950	0.2542		0.3000	0.2634		
	0.2750	0.2174		0.2800	0.2266		0.2850	0.2358		0.2900	0.2450		0.2950	0.2542		
I9	0.2750	0.2074	J9	0.2800	0.2166	K9	0.2850	0.2258	L9	0.2900	0.2350	M9	0.2950	0.2442		
	0.2750	0.2174		0.2800	0.2266		0.2850	0.2358		0.2900	0.2450		0.2950	0.2542		
	0.2800	0.2266		0.2850	0.2358		0.2900	0.2450		0.2950	0.2542		0.3000	0.2634		
	0.2800	0.2166		0.2850	0.2258		0.2900	0.2350		0.2950	0.2442		0.3000	0.2534		
	0.2750	0.2074		0.2800	0.2166		0.2850	0.2258		0.2900	0.2350		0.2950	0.2442		

TECHNICAL DATA

SMD LED (3003,3006 SERIES) BRIGHTNESS BIN SELECTION

Chromaticity Diagram



Bin code of Chromaticity Coordinates

Bin	CIE_x	CIE_y	Bin	CIE_x	CIE_y	Bin	CIE_x	CIE_y	Bin	CIE_x	CIE_y	Bin	CIE_x	CIE_y
N2	0.3000	0.3234	O2	0.3050	0.3326	P2	0.3100	0.3418	Q2	0.3150	0.3510	R2	0.3200	0.3602
	0.3000	0.3334		0.3050	0.3426		0.3100	0.3518		0.3150	0.3610		0.3200	0.3702
	0.3050	0.3426		0.3100	0.3518		0.3150	0.3610		0.3200	0.3702		0.3250	0.3794
	0.3050	0.3326		0.3100	0.3418		0.3150	0.3510		0.3200	0.3602		0.3250	0.3694
N3	0.3000	0.3234	O3	0.3050	0.3326	P3	0.3100	0.3418	Q3	0.3150	0.3510	R3	0.3200	0.3602
	0.3000	0.3134		0.3050	0.3226		0.3100	0.3318		0.3150	0.3410		0.3200	0.3502
	0.3000	0.3234		0.3050	0.3326		0.3100	0.3418		0.3150	0.3510		0.3200	0.3602
	0.3050	0.3326		0.3100	0.3418		0.3150	0.3510		0.3200	0.3602		0.3250	0.3694
N4	0.3000	0.3134	O4	0.3050	0.3226	P4	0.3100	0.3318	Q4	0.3150	0.3410	R4	0.3200	0.3502
	0.3000	0.3034		0.3050	0.3126		0.3100	0.3218		0.3150	0.3310		0.3200	0.3402
	0.3000	0.3134		0.3050	0.3226		0.3100	0.3318		0.3150	0.3410		0.3200	0.3502
	0.3050	0.3226		0.3100	0.3318		0.3150	0.3410		0.3200	0.3502		0.3250	0.3594
N5	0.3000	0.3034	O5	0.3050	0.3126	P5	0.3100	0.3218	Q5	0.3150	0.3310	R5	0.3200	0.3402
	0.3000	0.2934		0.3050	0.3026		0.3100	0.3118		0.3150	0.3210		0.3200	0.3302
	0.3000	0.3034		0.3050	0.3126		0.3100	0.3218		0.3150	0.3310		0.3200	0.3402
	0.3050	0.3126		0.3100	0.3218		0.3150	0.3310		0.3200	0.3402		0.3250	0.3494
N6	0.3000	0.2934	O6	0.3050	0.3026	P6	0.3100	0.3118	Q6	0.3150	0.3210	R6	0.3200	0.3302
	0.3000	0.3034		0.3050	0.3126		0.3100	0.3218		0.3150	0.3310		0.3200	0.3402
	0.3050	0.3126		0.3100	0.3218		0.3150	0.3310		0.3200	0.3402		0.3250	0.3494
	0.3050	0.3026		0.3100	0.3118		0.3150	0.3210		0.3200	0.3302		0.3250	0.3394
N7	0.3000	0.2834	O7	0.3050	0.2926	P7	0.3100	0.3018	Q7	0.3150	0.3110	R7	0.3200	0.3202
	0.3000	0.2834		0.3050	0.2826		0.3100	0.3018		0.3150	0.3110		0.3200	0.3202
	0.3050	0.2926		0.3100	0.3018		0.3150	0.3110		0.3200	0.3202		0.3250	0.3294
	0.3050	0.2826		0.3100	0.2918		0.3150	0.3010		0.3200	0.3102		0.3250	0.3194
N8	0.3000	0.2734	O8	0.3050	0.2826	P8	0.3100	0.2918	Q8	0.3150	0.3010	R8	0.3200	0.3102
	0.3000	0.2734		0.3050	0.2726		0.3100	0.2818		0.3150	0.2910		0.3200	0.3002
	0.3050	0.2826		0.3100	0.2918		0.3150	0.3010		0.3200	0.3102		0.3250	0.3194
	0.3050	0.2726		0.3100	0.2818		0.3150	0.2910		0.3200	0.3002		0.3250	0.3094
N9	0.3000	0.2634	O9	0.3050	0.2726	P9	0.3100	0.2818	Q9	0.3150	0.2910	R9	0.3200	0.3002
	0.3000	0.2534		0.3050	0.2626		0.3100	0.2718		0.3150	0.2810		0.3200	0.2902
	0.3050	0.2626		0.3100	0.2718		0.3150	0.2810		0.3200	0.2902		0.3250	0.2994
	0.3050	0.2534		0.3100	0.2626		0.3100	0.2718		0.3150	0.2810		0.3200	0.2902

Luminous Flux

Bin	Unit: lm		Unit: mcd	
	Min.	Max.	Min.	Max.
B45	4.50	4.75	1605	1695
B47	4.75	5.00	1695	1785
B50	5.00	5.25	1785	1875
B52	5.25	5.50	1875	1965
B55	5.50	5.75	1965	2055
B57	5.75	6.00	2055	2145
B60	6.00	6.25	2145	2235
B62	6.25	6.50	2235	2325
B65	6.50	6.75	2325	2415
B67	6.75	7.00	2415	2505
B70	7.00	7.25	2505	2595
B72	7.25	7.50	2595	2685
B75	7.50	7.75	2685	2775
B77	7.75	8.00	2775	2865
B80	8.00	8.25	2865	2955
B82	8.25	8.50	2955	3045
B85	8.50	8.75	3045	3135
B87	8.75	9.00	3135	3225
B90	9.00	9.25	3225	3315
B92	9.25	9.50	3315	3405
B95	9.50	9.75	3405	3495
B97	9.75	10.00	3495	3585

Note: Tolerance of Luminous Flux: $\pm 7\%$

V_F (Forward Voltage Spec. Setup)

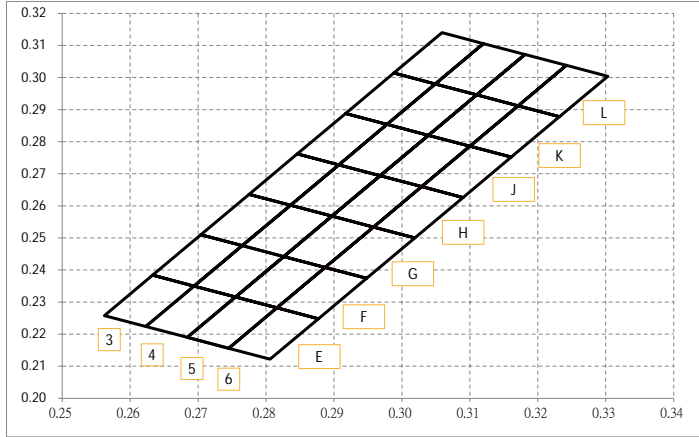
Bin	Unit: V	
	Min.	Max.
D26	2.60	2.70
D27	2.70	2.80
D28	2.80	2.90
D29	2.90	3.00
D30	3.00	3.10
D31	3.10	3.20
D32	3.20	3.30
D33	3.30	3.40
D34	3.40	3.50

Note: Tolerance of Forward Voltage: $\pm 0.05V$.

TECHNICAL DATA

SMD LED (2604/3004 SERIES) BRIGHTNESS BIN SELECTION

Chromaticity Diagram



Bin code of Chromaticity Coordinates

Bin	CIE_x	CIE_y	Bin	CIE_x	CIE_y	Bin	CIE_x	CIE_y	Bin	CIE_x	CIE_y
E5	0.2755	0.2316	E4	0.2755	0.2316	E3	0.2694	0.2350	E6	0.2816	0.2282
	0.2684	0.2190		0.2684	0.2190		0.2623	0.2224		0.2745	0.2156
	0.2745	0.2156		0.2623	0.2224		0.2562	0.2258		0.2806	0.2122
	0.2816	0.2282		0.2694	0.2350		0.2633	0.2384		0.2877	0.2248
	0.2755	0.2316		0.2755	0.2316		0.2694	0.2350		0.2816	0.2282
F5	0.2826	0.2442	F4	0.2826	0.2442	F3	0.2765	0.2476	F6	0.2887	0.2408
	0.2755	0.2316		0.2755	0.2316		0.2694	0.2350		0.2816	0.2282
	0.2816	0.2282		0.2694	0.2350		0.2633	0.2384		0.2877	0.2248
	0.2887	0.2408		0.2765	0.2476		0.2704	0.2510		0.2948	0.2374
G5	0.2826	0.2442	G4	0.2826	0.2442	G3	0.2765	0.2476	G6	0.2887	0.2408
	0.2897	0.2568		0.2897	0.2568		0.2836	0.2602		0.2958	0.2534
	0.2826	0.2442		0.2826	0.2442		0.2765	0.2476		0.2887	0.2408
	0.2887	0.2408		0.2765	0.2476		0.2704	0.2510		0.2948	0.2374
H5	0.2958	0.2534	H4	0.2836	0.2602	H3	0.2775	0.2636	H6	0.3019	0.2500
	0.2968	0.2694		0.2836	0.2602		0.2836	0.2602		0.2958	0.2534
	0.2897	0.2568		0.2897	0.2568		0.2907	0.2728		0.3029	0.2660
	0.3029	0.2660		0.2907	0.2728		0.2846	0.2762		0.2958	0.2534
	0.2968	0.2694		0.2968	0.2694		0.2907	0.2728		0.3029	0.2660
J5	0.3039	0.2820	J4	0.3039	0.2820	J3	0.2978	0.2854	J6	0.3100	0.2786
	0.2968	0.2694		0.2968	0.2694		0.2907	0.2728		0.3029	0.2660
	0.3029	0.2660		0.2907	0.2728		0.2846	0.2762		0.3090	0.2626
	0.3100	0.2786		0.2978	0.2854		0.2917	0.2888		0.3161	0.2752
	0.3039	0.2820		0.3039	0.2820		0.2978	0.2854		0.3100	0.2786
K5	0.3110	0.2946	K4	0.3110	0.2946	K3	0.3049	0.2980	K6	0.3171	0.2912
	0.3039	0.2820		0.3039	0.2820		0.2978	0.2854		0.3100	0.2786
	0.3100	0.2786		0.2978	0.2854		0.2917	0.2888		0.3161	0.2752
	0.3100	0.2786		0.2978	0.2854		0.2988	0.3014		0.3232	0.2878
	0.3171	0.2912		0.3049	0.2980		0.3049	0.2980		0.3171	0.2912
L5	0.3110	0.2946	L4	0.3110	0.2946	L3	0.3120	0.3106	L6	0.3242	0.3038
	0.3181	0.3072		0.3181	0.3072		0.3120	0.3106		0.3171	0.2912
	0.3110	0.2946		0.3110	0.2946		0.2988	0.3014		0.3232	0.2878
	0.3171	0.2912		0.3049	0.2980		0.3059	0.3140		0.3303	0.3004
	0.3242	0.3038		0.3120	0.3106		0.3120	0.3106		0.3242	0.3038

Шевелёв Илья
 Skype: IMELECTIME
 Рабочий: +7 (495) 204-13-84 доб. 1108
 Моб: +7 915 116 02 80
 E-mail: im@ledlamps.ru

Luminous Flux

Bin	Unit: lm		Unit: mcd	
	Min.	Max.	Min.	Max.
B45	4.50	4.75	1605	1695
B47	4.75	5.00	1695	1785
B50	5.00	5.25	1785	1875
B52	5.25	5.50	1875	1965
B55	5.50	5.75	1965	2055
B57	5.75	6.00	2055	2145
B60	6.00	6.25	2145	2235
B62	6.25	6.50	2235	2325
B65	6.50	6.75	2325	2415
B67	6.75	7.00	2415	2505
B70	7.00	7.25	2505	2595
B72	7.25	7.50	2595	2685
B75	7.50	7.75	2685	2775
B77	7.75	8.00	2775	2865
B80	8.00	8.25	2865	2955
B82	8.25	8.50	2955	3045
B85	8.50	8.75	3045	3135
B87	8.75	9.00	3135	3225
B90	9.00	9.25	3225	3315
B92	9.25	9.50	3315	3405
B95	9.50	9.75	3405	3495
B97	9.75	10.00	3495	3585

Note: Tolerance of Luminous Flux: $\pm 7\%$

V_F (Forward Voltage Spec. Setup)

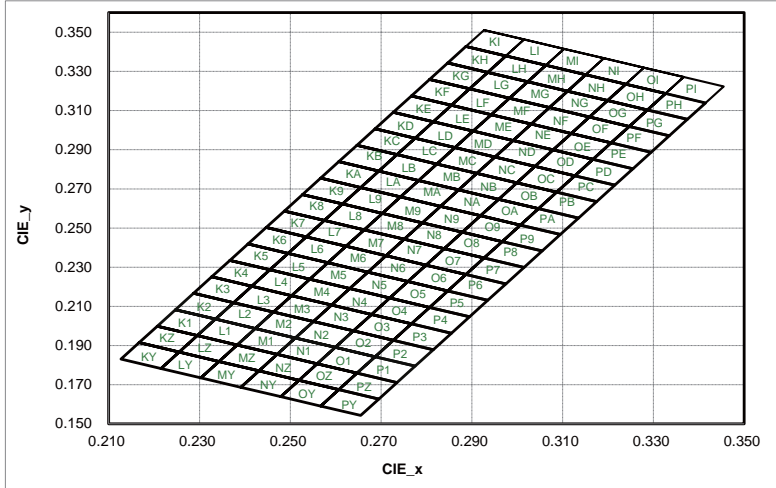
Bin	Unit: V	
	Min.	Max.
D26	2.60	2.70
D27	2.70	2.80
D28	2.80	2.90
D29	2.90	3.00
D30	3.00	3.10
D31	3.10	3.20
D32	3.20	3.30
D33	3.30	3.40
D34	3.40	3.50

Note: Tolerance of Forward Voltage: $\pm 0.05V$.

TECHNICAL DATA

SMD LED (3030/50/62 SERIES) BRIGHTNESS BIN SELECTION

Chromaticity Diagram



Bin Code of Chromaticity Coordinates

Bin	CIE_x	CIE_y	Bin	CIE_x	CIE_y
KY	0.2167	0.1915	KZ	0.2207	0.1999
	0.2255	0.1867		0.2295	0.1951
	0.2215	0.1783		0.2255	0.1867
	0.2127	0.1831		0.2167	0.1915
KE	0.2767	0.3175	KF	0.2807	0.3259
	0.2855	0.3127		0.2895	0.3211
	0.2815	0.3043		0.2855	0.3127
	0.2727	0.3091		0.2767	0.3175
L9	0.2655	0.2707	LA	0.2695	0.2791
	0.2743	0.2659		0.2783	0.2743
	0.2703	0.2575		0.2743	0.2659
	0.2615	0.2623		0.2655	0.2707
M4	0.2543	0.2239	M5	0.2583	0.2323
	0.2631	0.2191		0.2671	0.2275
	0.2591	0.2107		0.2631	0.2191
	0.2503	0.2155		0.2543	0.2239
NY	0.2431	0.1771	NZ	0.2471	0.1855
	0.2519	0.1723		0.2559	0.1807
	0.2479	0.1639		0.2519	0.1723
	0.2391	0.1687		0.2431	0.1771
NE	0.3031	0.3031	NF	0.3071	0.3115
	0.3119	0.2983		0.3159	0.3067
	0.3079	0.2899		0.3119	0.2983
	0.2991	0.2947		0.3031	0.3031
O9	0.2919	0.2563	OA	0.2959	0.2647
	0.3007	0.2515		0.3047	0.2599
	0.2967	0.2431		0.3007	0.2515
	0.2879	0.2479		0.2919	0.2563
P4	0.2807	0.2095	P5	0.2847	0.2179
	0.2895	0.2047		0.2935	0.2131
	0.2855	0.1963		0.2895	0.2047
	0.2767	0.2011		0.2807	0.2095

Bin Code of Chromaticity Coordinates

Bin	CIE_x	CIE_y	Bin	CIE_x	CIE_y	Bin	CIE_x	CIE_y	Bin	CIE_x	CIE_y	Bin	CIE_x	CIE_y	Bin	CIE_x	CIE_y						
K1	0.2247	0.2083	K2	0.2287	0.2167	K3	0.2327	0.2251	K4	0.2367	0.2335	K5	0.2407	0.2419	K6	0.2447	0.2503	K7	0.2487	0.2587			
	0.2335	0.2035		0.2375	0.2119		0.2415	0.2203		0.2455	0.2287		0.2495	0.2371		0.2535	0.2455		0.2575	0.2539			
	0.2295	0.1951		0.2335	0.2035		0.2375	0.2119		0.2415	0.2203		0.2455	0.2287		0.2495	0.2371		0.2535	0.2455			
KG	0.2207	0.1999	KH	0.2247	0.2083	KI	0.2287	0.2167	LY	0.2327	0.2251	LZ	0.2367	0.2335	L1	0.2407	0.2419	L2	0.2447	0.2503			
	0.2847	0.3343		0.2975	0.3379		0.3015	0.3463		0.2343	0.1819		0.2383	0.1903		0.2423	0.1987		0.2463	0.2071			
	0.2935	0.3295		0.2935	0.3295		0.2975	0.3379		0.2303	0.1735		0.2343	0.1819		0.2383	0.1903		0.2423	0.1987			
LB	0.2807	0.3259	LC	0.2847	0.3343	LD	0.2887	0.3427	LE	0.2215	0.1783	LF	0.2255	0.1867	LG	0.2295	0.1951	LH	0.2335	0.2035			
	0.2735	0.2875		0.2775	0.2959		0.2815	0.3043		0.2855	0.3127		0.2895	0.3211		0.2935	0.3295		0.2975	0.3379			
	0.2823	0.2827		0.2863	0.2911		0.2903	0.2995		0.2943	0.3079		0.2983	0.3163		0.3023	0.3247		0.3063	0.3331			
M6	0.2783	0.2743	M7	0.2823	0.2827	M8	0.2863	0.2911	M9	0.2903	0.2995	MA	0.2943	0.3079	MB	0.2983	0.3163	MC	0.3023	0.3247			
	0.2695	0.2791		0.2735	0.2875		0.2775	0.2959		0.2815	0.3043		0.2855	0.3127		0.2895	0.3211		0.2935	0.3295			
	0.2623	0.2407		0.2663	0.2491		0.2703	0.2575		0.2743	0.2659		0.2783	0.2743		0.2823	0.2827		0.2863	0.2911			
N1	0.2711	0.2359	N2	0.2751	0.2443	N3	0.2791	0.2527	N4	0.2831	0.2611	N5	0.2871	0.2695	N6	0.2911	0.2779	N7	0.2951	0.2863			
	0.2671	0.2275		0.2711	0.2359		0.2751	0.2443		0.2791	0.2527		0.2831	0.2611		0.2871	0.2695		0.2911	0.2779	0.2951	0.2863	
	0.2583	0.2323		0.2623	0.2407		0.2663	0.2491		0.2703	0.2575		0.2743	0.2659		0.2783	0.2743		0.2823	0.2827	0.2863	0.2911	
NG	0.2511	0.1939	NH	0.2551	0.2023	NI	0.2591	0.2107	OY	0.2631	0.2191	OZ	0.2671	0.2275	O1	0.2711	0.2359	O2	0.2751	0.2443			
	0.2599	0.1807		0.2639	0.1975		0.2679	0.2059		0.2719	0.2143		0.2759	0.2227		0.2799	0.2311		0.2839	0.2395			
	0.2471	0.1855		0.2511	0.1939		0.2551	0.2023		0.2591	0.2107		0.2631	0.2191		0.2671	0.2275		0.2711	0.2359			
OB	0.3111	0.3199	OC	0.3151	0.3283	OD	0.3191	0.3367	OE	0.2519	0.1723	OF	0.2559	0.1807	OG	0.2599	0.1891	OH	0.2639	0.1975			
	0.3199	0.3151		0.3239	0.3235		0.3279	0.3319		0.2607	0.1675		0.2647	0.1759		0.2687	0.1843		0.2727	0.1927			
	0.3159	0.3067		0.3199	0.3151		0.3239	0.3235		0.2567	0.1591		0.2607	0.1675		0.2647	0.1759		0.2687	0.1843			
P6	0.3071	0.3115	OD	0.3111	0.3199	OE	0.3151	0.3283	OF	0.2479	0.1639	OG	0.2519	0.1723	OH	0.2559	0.1807	OI	0.2599	0.1891			
	0.2999	0.2731		0.3039	0.2815		0.3079	0.2899		0.3119	0.2983		0.3159	0.3067		0.3199	0.3151		0.3239	0.3235			
	0.3087	0.2683		0.3127	0.2767		0.3167	0.2851		0.3207	0.2935		0.3247	0.3019		0.3287	0.3103		0.3327	0.3187			
P7	0.3047	0.2599	P8	0.3087	0.2683	P9	0.3127	0.2767	PA	0.3167	0.2851	PB	0.3207	0.2935	PC	0.3247	0.3019	PD	0.3287	0.3103			
	0.2959	0.2647		0.2999	0.2731		0.3039	0.2815		0.3079	0.2899		0.3119	0.2983		0.3159	0.3067		0.3199	0.3151			
	0.2887	0.2263		0.2927	0.2347		0.2967	0.2431		0.3007	0.2515		0.3047	0.2599		0.3087	0.2683		0.3127	0.2767			
	0.2975	0.2215		0.3015	0.2299		0.3055	0.2383		0.3095	0.2467		0.3135	0.2551		0.3175	0.2635		0.3215	0.2719			
P8	0.2935	0.2131	P9	0.2975	0.2215	PA	0.3015	0.2299	PB	0.3055	0.2383	PC	0.3095	0.2467	PD	0.3135	0.2551	PE	0.3175	0.2635			
	0.2847	0.2179		0.2887	0.2263		0.2927	0.2347		0.2967	0.2431		0.3007	0.2515		0.3047	0.2599		0.3087	0.2683			

Bin Code of Chromaticity Coordinates

Bin	CIE_x	CIE_y	Bin	CIE_x	CIE_y	Bin	CIE_x	CIE_y	Bin	CIE_x	CIE_y	Bin	CIE_x	CIE_y	Bin	CIE_x	CIE_y
K8	0.2527	0.2671	K9	0.2567	0.2755	KA	0.2607	0.2839	KB	0.2647	0.2923	KC	0.2687	0.3007	KD	0.2727	0.3091
	0.2615	0.2623		0.2655	0.2707		0.2695	0.2791		0.2735	0.2875		0.2775	0.2959		0.2815	0.3043
	0.2575	0.2539		0.2615	0.2623		0.2655	0.2707		0.2695	0.2791		0.2735	0.2875		0.2775	0.2959
	0.2487	0.2587		0.2527	0.2671		0.2567	0.2755		0.2607	0.2839		0.2647	0.2923		0.2687	0.3007
L3	0.2415	0.2203	L4	0.2455	0.2287	L5	0.2495	0.2371	L6	0.2535	0.2455	L7	0.2575	0.2539	L8	0.2615	0.2623
	0.2503	0.2155		0.2543	0.2239		0.2583	0.2323		0.2623	0.2407		0.2663	0.2491		0.2703	0.2575
	0.2463	0.2071		0.2503	0.2155		0.2543	0.2239		0.2583	0.2323		0.2623	0.2407		0.2663	0.2491
	0.2375	0.2119		0.2415	0.2203		0.2455	0.2287		0.2495	0.2371		0.2535	0.2455		0.2575	0.2539
LI	0.3015	0.3463	MY	0.2343	0.1819	MZ	0.2383	0.1903	M1	0.2423	0.1987	M2	0.2463	0.2071	M3	0.2503	0.2155
	0.3103	0.3415		0.2431	0.1771		0.2471	0.1855		0.2511	0.1939		0.2551	0.2023		0.2591	0.2107
	0.3063	0.3331		0.2391	0.1687		0.2431	0.1771		0.2471	0.1855		0.2511	0.1939		0.2551	0.2023
	0.2975	0.3379		0.2303	0.1735		0.2343	0.1819		0.2383	0.1903		0.2423	0.1987		0.2463	0.2071
MD	0.2903	0.2995	ME	0.2943	0.3079	MF	0.2983	0.3163	MG	0.3023	0.3247	MH	0.3063	0.3331	MI	0.3103	0.3415
	0.2991	0.2947		0.3031	0.3031		0.3071	0.3115		0.3111	0.3199		0.3151	0.3283		0.3191	0.3367
	0.2951	0.2863		0.2991	0.2947		0.3031	0.3031		0.3071	0.3115		0.3111	0.3199		0.3151	0.3283
	0.2863	0.2911		0.2903	0.2995		0.2943	0.3079		0.2983	0.3163		0.2983	0.3247		0.3063	0.3331
N8	0.2791	0.2527	N9	0.2831	0.2611	NA	0.2871	0.2695	NB	0.2911	0.2779	NC	0.2951	0.2863	ND	0.2991	0.2947
	0.2879	0.2479		0.2919	0.2563		0.2959	0.2647		0.2999	0.2731		0.3039	0.2815		0.3079	0.2899
	0.2839	0.2395		0.2879	0.2479		0.2919	0.2563		0.2959	0.2647		0.2999	0.2731		0.3039	0.2815
	0.2751	0.2443		0.2791	0.2527		0.2831	0.2611		0.2871	0.2695		0.2911	0.2779		0.2951	0.2863
O3	0.2679	0.2059	O4	0.2719	0.2143	O5	0.2759	0.2227	O6	0.2799	0.2311	O7	0.2839	0.2395	O8	0.2879	0.2479
	0.2767	0.2011		0.2807	0.2095		0.2847	0.2179		0.2887	0.2263		0.2927	0.2347		0.2967	0.2431
	0.2727	0.1927		0.2767	0.2011		0.2807	0.2095		0.2847	0.2179		0.2887	0.2263		0.2927	0.2347
	0.2639	0.1975		0.2679	0.2059		0.2719	0.2143		0.2759	0.2227		0.2799	0.2311		0.2839	0.2395
OI	0.3279	0.3319	PY	0.2607	0.1675	PZ	0.2647	0.1759	P1	0.2687	0.1843	P2	0.2727	0.1927	P3	0.2767	0.2011
	0.3367	0.3271		0.2695	0.1627		0.2735	0.1711		0.2775	0.1795		0.2815	0.1879		0.2855	0.1963
	0.3327	0.3187		0.2655	0.1543		0.2695	0.1627		0.2735	0.1711		0.2775	0.1795		0.2815	0.1879
	0.3239	0.3235		0.2567	0.1591		0.2607	0.1675		0.2647	0.1759		0.2687	0.1843		0.2727	0.1927
PD	0.3167	0.2851	PE	0.3207	0.2935	PF	0.3247	0.3019	PG	0.3287	0.3103	PH	0.3327	0.3187	PI	0.3367	0.3271
	0.3255	0.2803		0.3295	0.2887		0.3335	0.2971		0.3375	0.3055		0.3415	0.3139		0.3455	0.3223
	0.3215	0.2719		0.3255	0.2803		0.3295	0.2887		0.3335	0.2971		0.3375	0.3055		0.3415	0.3139
	0.3127	0.2767		0.3167	0.2851		0.3207	0.2935		0.3247	0.3019		0.3287	0.3103		0.3327	0.3187

Luminous Flux

Bin	Unit: lm		Bin	Unit: lm		Bin	Unit: lm	
	Min.	Max.		Min.	Max.		Min.	Max.
H85	85	90	D10	10	11	E20	20	22
H90	90	95	D11	11	12	E22	22	24
H95	95	100	D12	12	13	E24	24	26
H100	100	105	D13	13	14	E26	26	28
H105	105	110	D14	14	15	E28	28	30
H110	110	115	D15	15	16	E30	30	32
H115	115	120	D16	16	17	E32	32	34
H120	120	125	D17	17	18	E34	34	36
H125	125	130	D18	18	19	E36	36	38
H130	130	135	D19	19	20	E38	38	40
H135	135	140	D20	20	21	E40	40	42
H140	140	145	D21	21	22	E42	42	44
H145	145	150	D22	22	23	E44	44	46
H150	150	155	D23	23	24	E46	46	48
H155	155	160	D24	24	25	E48	48	50
H160	160	165	D25	25	26	E50	50	52
H165	165	170	D26	26	27	E52	52	54
H170	170	175	D27	27	28	E54	54	56
H175	175	180	D28	28	29	E56	56	58
H180	180	185	D29	29	30	E58	58	60
H185	185	190	D30	30	31	E60	60	62
H190	190	195	D31	31	32	E62	62	64
H195	195	200	-	-	-	-	-	-

Note: Tolerance of Luminous Intensity: ±7%.

V_F (Forward Voltage Spec. Setup)

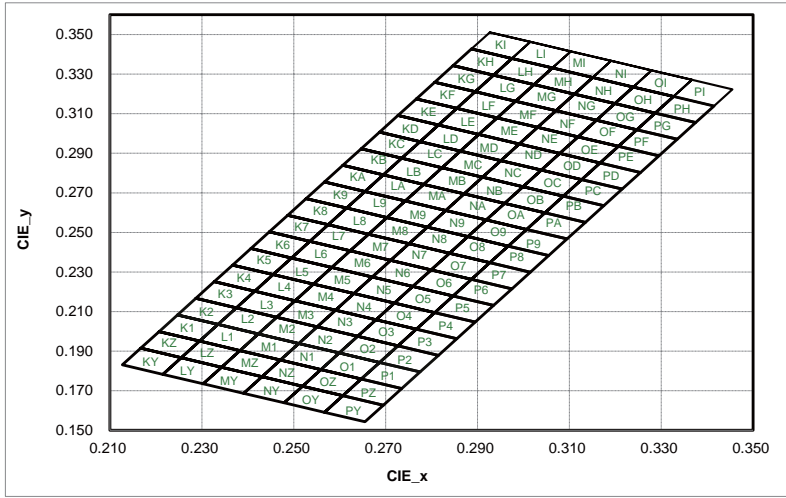
Bin	Unit: mV	
	Min.	Max.
E28	2.8	3
E30	3	3.2
E32	3.2	3.4
E34	3.4	3.6
E36	3.6	3.8
E38	3.8	4.0
D28	2.8	2.9
D29	2.9	3
D30	3	3.1
D31	3.1	3.2
D32	3.2	3.3
D33	3.3	3.4
D34	3.4	3.5
D35	3.5	3.6

Note: Tolerance of Forward Voltage: ±0.05V.

TECHNICAL DATA

SMD LED (Local Dimming) BRIGHTNESS BIN SELECTION

Chromaticity Diagram



Bin Code of Chromaticity Coordinates

Bin	CIE_x	CIE_y	Bin	CIE_x	CIE_y
KY	0.2167	0.1915	KZ	0.2207	0.1999
	0.2255	0.1867		0.2295	0.1951
	0.2215	0.1783		0.2255	0.1867
KE	0.2127	0.1831	KF	0.2167	0.1915
	0.2767	0.3175		0.2807	0.3259
	0.2855	0.3127		0.2895	0.3211
L9	0.2815	0.3043	LA	0.2855	0.3127
	0.2727	0.3091		0.2767	0.3175
	0.2655	0.2707		0.2695	0.2791
M4	0.2743	0.2659	M5	0.2783	0.2743
	0.2703	0.2575		0.2743	0.2659
	0.2615	0.2623		0.2655	0.2707
NY	0.2543	0.2239	NZ	0.2583	0.2323
	0.2631	0.2191		0.2671	0.2275
	0.2591	0.2107		0.2631	0.2191
NE	0.2503	0.2155	NF	0.2543	0.2239
	0.2431	0.1771		0.2471	0.1855
	0.2519	0.1723		0.2559	0.1807
O9	0.2479	0.1639	OA	0.2519	0.1723
	0.2391	0.1687		0.2431	0.1771
	0.3031	0.3031		0.3071	0.3115
P4	0.3119	0.2983	P5	0.3159	0.3067
	0.3079	0.2899		0.3119	0.2983
	0.2991	0.2947		0.3031	0.3031
M6	0.2919	0.2563	M7	0.2959	0.2647
	0.3007	0.2515		0.3047	0.2599
	0.2967	0.2431		0.3007	0.2515
L1	0.2879	0.2479	L2	0.2919	0.2563
	0.2807	0.2095		0.2847	0.2179
	0.2895	0.2047		0.2935	0.2131
K1	0.2855	0.1963	K2	0.2895	0.2047
	0.2767	0.2011		0.2807	0.2095

Bin Code of Chromaticity Coordinates

Bin	CIE_x	CIE_y	Bin	CIE_x	CIE_y	Bin	CIE_x	CIE_y	Bin	CIE_x	CIE_y	Bin	CIE_x	CIE_y	Bin	CIE_x	CIE_y		
K1	0.2247	0.2083	K2	0.2287	0.2167	K3	0.2327	0.2251	K4	0.2367	0.2335	K5	0.2407	0.2419	K6	0.2447	0.2503		
	0.2335	0.2035		0.2375	0.2119		0.2415	0.2203		0.2455	0.2287		0.2495	0.2371		0.2535	0.2455	0.2487	0.2587
	0.2295	0.1951		0.2335	0.2035		0.2375	0.2119		0.2415	0.2203		0.2455	0.2287		0.2495	0.2371	0.2535	0.2455
KG	0.2207	0.1999	KH	0.2247	0.2083	KI	0.2287	0.2167	LY	0.2327	0.2251	LZ	0.2367	0.2335	L1	0.2407	0.2419		
	0.2847	0.3343		0.2887	0.3427		0.2927	0.3511		0.2955	0.1867		0.2295	0.1951		0.2335	0.2035	0.2375	0.2119
	0.2935	0.3295		0.2975	0.3379		0.3015	0.3463		0.2343	0.1819		0.2383	0.1903		0.2423	0.1987	0.2463	0.2071
LB	0.2895	0.3211	LC	0.2935	0.3295	LD	0.2975	0.3379	LE	0.2303	0.1735	LF	0.2343	0.1819	LG	0.2383	0.1903		
	0.2807	0.3259		0.2847	0.3343		0.2887	0.3427		0.2215	0.1783		0.2255	0.1867		0.2295	0.1951	0.2335	0.2035
	0.2735	0.2875		0.2775	0.2959		0.2815	0.3043		0.2855	0.3127		0.2895	0.3211		0.2935	0.3295	0.2975	0.3379
M6	0.2823	0.2827	M7	0.2863	0.2911	M8	0.2903	0.2995	M9	0.2943	0.3079	MA	0.2983	0.3163	MB	0.3023	0.3247		
	0.2783	0.2743		0.2823	0.2827		0.2863	0.2911		0.2903	0.2995		0.2943	0.3079		0.2983	0.3163	0.3023	0.3247
	0.2695	0.2791		0.2735	0.2875		0.2775	0.2959		0.2815	0.3043		0.2855	0.3127		0.2895	0.3211	0.2935	0.3295
N1	0.2623	0.2407	N2	0.2663	0.2491	N3	0.2703	0.2575	N4	0.2743	0.2659	N5	0.2783	0.2743	N6	0.2823	0.2827		
	0.2711	0.2359		0.2751	0.2443		0.2791	0.2527		0.2831	0.2611		0.2871	0.2695		0.2911	0.2779	0.2951	0.2863
	0.2671	0.2275		0.2711	0.2359		0.2751	0.2443		0.2791	0.2527		0.2831	0.2611		0.2871	0.2695	0.2911	0.2779
NG	0.2583	0.2323	NH	0.2623	0.2407	NI	0.2663	0.2491	OY	0.2703	0.2575	OZ	0.2743	0.2659	O1	0.2783	0.2743		
	0.2511	0.1939		0.2551	0.2023		0.2591	0.2107		0.2631	0.2191		0.2671	0.2275		0.2711	0.2359	0.2751	0.2443
	0.2599	0.1891		0.2639	0.1975		0.2679	0.2059		0.2719	0.2143		0.2759	0.2227		0.2799	0.2311	0.2839	0.2395
OB	0.2559	0.1807	OC	0.2599	0.1891	OD	0.2639	0.1975	OE	0.2679	0.2059	OF	0.2719	0.2143	OG	0.2759	0.2227		
	0.2471	0.1855		0.2511	0.1939		0.2551	0.2023		0.2591	0.2107		0.2631	0.2191		0.2671	0.2275	0.2711	0.2359
	0.3111	0.3199		0.3151	0.3283		0.3191	0.3367		0.3259	0.1723		0.2559	0.1807		0.2599	0.1891	0.2639	0.1975
P6	0.3199	0.3151	P7	0.3239	0.3235	P8	0.3279	0.3319	P9	0.3319	0.3367	PA	0.3359	0.3407	PB	0.3399	0.3447		
	0.3159	0.3067		0.3199	0.3151		0.3239	0.3235		0.3279	0.3319		0.3319	0.3367		0.3359	0.3407	0.3399	0.3447
	0.3071	0.3115		0.3111	0.3199		0.3151	0.3283		0.3191	0.3367		0.3259	0.1723		0.2559	0.1807	0.2599	0.1891
P4	0.2999	0.2731	P5	0.3039	0.2815	P6	0.3079	0.2899	P7	0.3119	0.2983	P8	0.3159	0.3067	P9	0.3199	0.3151		
	0.3087	0.2683		0.3127	0.2767		0.3167	0.2851		0.3207	0.2935		0.3247	0.3019		0.3287	0.3103	0.3327	0.3187
	0.3047	0.2599		0.3087	0.2683		0.3127	0.2767		0.3167	0.2851		0.3207	0.2935		0.3247	0.3019	0.3287	0.3103
M4	0.2959	0.2647	M5	0.2999	0.2731	M6	0.3039	0.2815	M7	0.3079	0.2899	M8	0.3119	0.2983	M9	0.3159	0.3067		
	0.2887	0.2263		0.2927	0.2347		0.2967	0.2431		0.3007	0.2515		0.3047	0.2599		0.3087	0.2683	0.3127	0.2767
	0.2975	0.2215		0.3015	0.2299		0.3055	0.2383		0.3095	0.2467		0.3135	0.2551		0.3175	0.2635	0.3215	0.2719
K1	0.2935	0.2131	K2	0.2975	0.2215	K3	0.3015	0.2299	K4	0.3055	0.2383	K5	0.3095	0.2467	K6	0.3135	0.2551		
	0.2847	0.2179		0.2887	0.2263		0.2927	0.2347		0.2967	0.2431		0.3007	0.2515		0.3047	0.2599	0.3087	0.2683

Bin Code of Chromaticity Coordinates

Bin	CIE_x	CIE_y	Bin	CIE_x	CIE_y	Bin	CIE_x	CIE_y	Bin	CIE_x	CIE_y	Bin	CIE_x	CIE_y	Bin	CIE_x	CIE_y
K8	0.2527	0.2671	K9	0.2567	0.2755	KA	0.2607	0.2839	KB	0.2647	0.2923	KC	0.2687	0.3007	KD	0.2727	0.3091
	0.2615	0.2623		0.2655	0.2707		0.2695	0.2791		0.2735	0.2875		0.2775	0.2959		0.2815	0.3043
	0.2575	0.2539		0.2615	0.2623		0.2655	0.2707		0.2695	0.2791		0.2735	0.2875		0.2775	0.2959
	0.2487	0.2587		0.2527	0.2671		0.2567	0.2755		0.2607	0.2839		0.2647	0.2923		0.2687	0.3007
L3	0.2415	0.2203	L4	0.2455	0.2287	L5	0.2495	0.2371	L6	0.2535	0.2455	L7	0.2575	0.2539	L8	0.2615	0.2623
	0.2503	0.2155		0.2543	0.2239		0.2583	0.2323		0.2623	0.2407		0.2663	0.2491		0.2703	0.2575
	0.2463	0.2071		0.2503	0.2155		0.2543	0.2239		0.2583	0.2323		0.2623	0.2407		0.2663	0.2491
	0.2375	0.2119		0.2415	0.2203		0.2455	0.2287		0.2495	0.2371		0.2535	0.2455		0.2575	0.2539
LI	0.3015	0.3463	MY	0.2343	0.1819	MZ	0.2383	0.1903	M1	0.2423	0.1987	M2	0.2463	0.2071	M3	0.2503	0.2155
	0.3103	0.3415		0.2431	0.1771		0.2471	0.1855		0.2511	0.1939		0.2551	0.2023		0.2591	0.2107
	0.3063	0.3331		0.2391	0.1687		0.2431	0.1771		0.2471	0.1855		0.2511	0.1939		0.2551	0.2023
	0.2975	0.3379		0.2303	0.1735		0.2343	0.1819		0.2383	0.1903		0.2423	0.1987		0.2463	0.2071
MD	0.2903	0.2995	ME	0.2943	0.3079	MF	0.2983	0.3163	MG	0.3023	0.3247	MH	0.3063	0.3331	MI	0.3103	0.3415
	0.2991	0.2947		0.3031	0.3031		0.3071	0.3115		0.3111	0.3199		0.3151	0.3283		0.3191	0.3367
	0.2951	0.2863		0.2991	0.2947		0.3031	0.3031		0.3071	0.3115		0.3111	0.3199		0.3151	0.3283
	0.2863	0.2911		0.2903	0.2995		0.2943	0.3079		0.2983	0.3163		0.3023	0.3247		0.3063	0.3331
N8	0.2791	0.2527	N9	0.2831	0.2611	NA	0.2871	0.2695	NB	0.2911	0.2779	NC	0.2951	0.2863	ND	0.2991	0.2947
	0.2879	0.2479		0.2919	0.2563		0.2959	0.2647		0.2999	0.2731		0.3039	0.2815		0.3079	0.2899
	0.2839	0.2395		0.2879	0.2479		0.2919	0.2563		0.2959	0.2647		0.2999	0.2731		0.3039	0.2815
	0.2751	0.2443		0.2791	0.2527		0.2831	0.2611		0.2871	0.2695		0.2911	0.2779		0.2951	0.2863
O3	0.2679	0.2059	O4	0.2719	0.2143	O5	0.2759	0.2227	O6	0.2799	0.2311	O7	0.2839	0.2395	O8	0.2879	0.2479
	0.2767	0.2011		0.2807	0.2095		0.2847	0.2179		0.2887	0.2263		0.2927	0.2347		0.2967	0.2431
	0.2727	0.1927		0.2767	0.2011		0.2807	0.2095		0.2847	0.2179		0.2887	0.2263		0.2927	0.2347
	0.2639	0.1975		0.2679	0.2059		0.2719	0.2143		0.2759	0.2227		0.2799	0.2311		0.2839	0.2395
OI	0.3279	0.3319	PY	0.2607	0.1675	PZ	0.2647	0.1759	P1	0.2687	0.1843	P2	0.2727	0.1927	P3	0.2767	0.2011
	0.3367	0.3271		0.2695	0.1627		0.2735	0.1711		0.2775	0.1795		0.2815	0.1879		0.2855	0.1963
	0.3327	0.3187		0.2655	0.1543		0.2695	0.1627		0.2735	0.1711		0.2775	0.1795		0.2815	0.1879
	0.3239	0.3235		0.2567	0.1591		0.2607	0.1675		0.2647	0.1759		0.2687	0.1843		0.2727	0.1927
PD	0.3167	0.2851	PE	0.3207	0.2935	PF	0.3247	0.3019	PG	0.3287	0.3103	PH	0.3327	0.3187	PI	0.3367	0.3271
	0.3255	0.2803		0.3295	0.2887		0.3335	0.2971		0.3375	0.3055		0.3415	0.3139		0.3455	0.3223
	0.3215	0.2719		0.3255	0.2803		0.3295	0.2887		0.3335	0.2971		0.3375	0.3055		0.3415	0.3139
	0.3127	0.2767		0.3167	0.2851		0.3207	0.2935		0.3247	0.3019		0.3287	0.3103		0.3327	0.3187

Luminous Flux

Bin	Unit: lm	
	Min.	Max.
C0	0.00	0.50
C5	0.50	1.00
C10	1.00	1.50
C15	1.50	2.00
C20	2.00	2.50
C25	2.50	3.00
C30	3.00	3.50
C35	3.50	4.00
C40	4.00	4.50
C45	4.50	5.00
C50	5.00	5.50
C55	5.50	6.00
C60	6.00	6.50
C65	6.50	7.00
C70	7.00	7.50
C75	7.50	8.00
C80	8.00	8.50

Note: Tolerance of Luminous Intensity: ±7%.

Radiant Power

Bin	Unit: lm	
	Min.	Max.
E0	0.00	2.00
E2	2.00	4.00
E4	4.00	6.00
E6	6.00	8.00
E8	8.00	10.00
E10	10.00	12.00
E12	12.00	14.00
E14	14.00	16.00
E16	16.00	18.00
E18	18.00	20.00
E20	20.00	22.00
E22	22.00	24.00
E24	24.00	26.00
E26	26.00	28.00
E28	28.00	30.00

Note: Tolerance of Luminous Intensity: ±7%.

V_F (Forward Voltage Spec. Setup)

Bin	Unit: lm	
	Min.	Max.
D28	2.80	2.90
D29	2.90	3.00
D30	3.00	3.10
D31	3.10	3.20
D32	3.20	3.30
C270	2.70	2.75
C275	2.75	2.80
C280	2.80	2.85
C285	2.85	2.90
C290	2.90	2.95

Note: Tolerance of Forward Voltage: ±0.05

TECHNICAL DATA

LED LAMPS BRIGHTNESS BIN SELECTION

Brightness Bin Selection

Unit : mcd

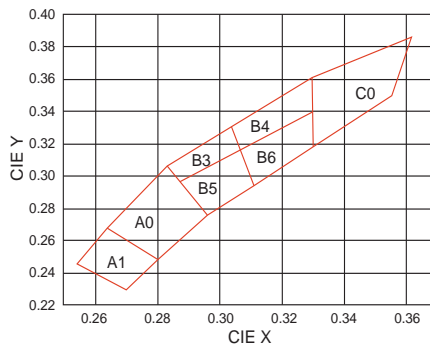
Item	Intensity Iv (mcd)	
	Bin Code	Min. Max.
a7	6.0	8.0
a6	8.0	10.0
a5	10.0	12.0
a4	12.0	15.0
a3	15.0	18.0
a2	18.0	22.0
a1	22.0	28.0
0	28.0	35.0
1	35.0	42.0
2	42.0	50.0
3	50.0	60.0
4	60.0	70.0
5	70.0	85.0
6	85.0	100
7	100	120
8	120	140
9	140	170
A	170	200
B	200	240
C	240	285
D	285	360
E	360	450
F	450	565
G	565	715
H	715	900
J	900	1,125
K	1,125	1,425
L	1,425	1,800
M	1,800	2,250
N	2,250	2,850
P	2,850	3,600
Q	3,600	4,500
R	4,500	5,650
S	5,650	7,150
T	7,150	9,000
U	9,000	11,250
V	11,250	14,250
W	14,250	18,000
X	18,000	22,500
Y	22,500	28,500
Z	28,500	36,000

Cool White / CIE Chromaticity Diagram

(I_f=20mA / T_a=25°C)

Color Ranks	CIE				
	X	Y	X	Y	X
A1	X	0.255	0.264	0.280	0.270
	Y	0.245	0.267	0.248	0.230
A0	X	0.264	0.283	0.296	0.280
	Y	0.267	0.305	0.267	0.248
B3	X	0.283	0.304	0.307	0.287
	Y	0.305	0.330	0.315	0.295
B4	X	0.304	0.330	0.330	0.307
	Y	0.330	0.360	0.339	0.315
B5	X	0.287	0.307	0.311	0.296
	Y	0.295	0.315	0.294	0.276
B6	X	0.307	0.330	0.330	0.311
	Y	0.315	0.339	0.318	0.294
C0	X	0.330	0.361	0.355	0.330
	Y	0.360	0.385	0.350	0.318

Note: Measurement uncertainty of the color coordinates ±0.01.

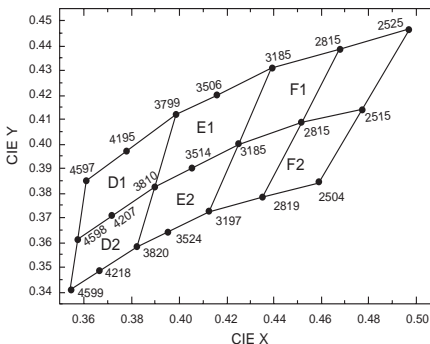


Warm White / CIE Chromaticity Diagram

(I_f=20mA / T_a=25°C)

Color Ranks	CIE				
	X	Y	X	Y	X
D1	X	0.357	0.361	0.398	0.389
	Y	0.361	0.385	0.411	0.382
D2	X	0.354	0.357	0.389	0.382
	Y	0.340	0.361	0.382	0.358
E1	X	0.389	0.398	0.439	0.425
	Y	0.382	0.411	0.431	0.400
E2	X	0.382	0.389	0.425	0.412
	Y	0.358	0.382	0.400	0.372
F1	X	0.425	0.439	0.497	0.477
	Y	0.400	0.431	0.466	0.413
F2	X	0.412	0.425	0.477	0.458
	Y	0.372	0.400	0.413	0.383

Note: Measurement uncertainty of the color coordinates ±0.01.



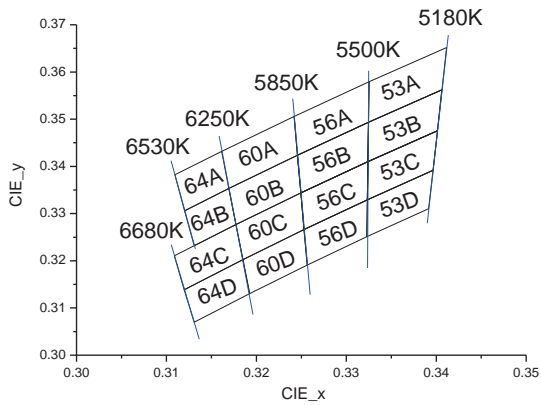
DIGITAL DISPLAY BRIGHTNESS BIN SELECTION

Bin Code	Brightness Range (µcd)	
	Min.	Max.
C	70	140
D	110	220
E	180	360
F	280	560
G	450	900
H	750	1200
J	1050	1680
K	1400	2300
L	2000	3200
M	2800	4500
N	4000	6400
P	5600	8900
Q	7800	12500
R	11000	17600
S	15000	24000
T	21000	34000
U	30000	48000
V	42000	67000
W	59000	94000
X	83000	133000
Y	116000	186000
Z	158800	254000

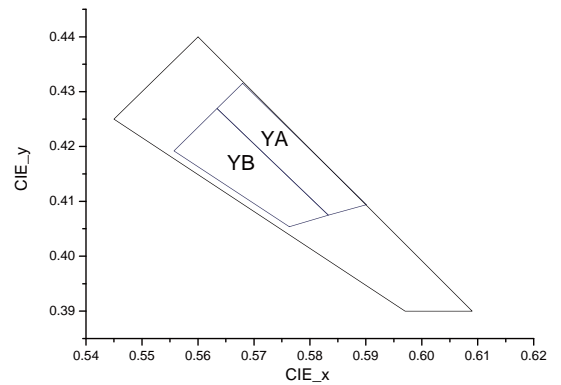
Пробные образцы и промышленные партии
 Шевелёв Илья
 Skype: IMELECTIME
 Рабочий: +7 (495) 204-13-84 доб. 1108
 Моб: +7 915 116 02 80
 E-mail: im@ledlamps.ru

AUTOMOTIVE BIN SELECTION

Exterior White / Cool-White Bin Structure



Amber Bin Structure



Cool-White Bin Coordinates

Bin	CIE X	CIE Y	Bin	CIE X	CIE Y	Bin	CIE X	CIE Y
64A	0.3109	0.3382	60C	0.3177	0.3277	53A	0.3325	0.3579
	0.3161	0.3432		0.3249	0.3344		0.3412	0.3652
	0.3169	0.3353		0.3253	0.3266		0.3406	0.3562
	0.3120	0.3306		0.3185	0.3203		0.3325	0.3493
Reference Range: 6240~6530K			Reference Range: 5850~6240K			Reference Range: 5180~5500K		
64B	0.3120	0.3306	60D	0.3185	0.3203	53B	0.3325	0.3493
	0.3169	0.3353		0.3253	0.3266		0.3406	0.3562
	0.3177	0.3277		0.3256	0.3191		0.3401	0.3476
	0.3131	0.3232		0.3192	0.3131		0.3324	0.3410
Reference Range: 6240~6530K			Reference Range: 5850~6240K			Reference Range: 5180~5500K		
64C	0.3109	0.3211	56A	0.3242	0.3506	53C	0.3324	0.3410
	0.3177	0.3277		0.3325	0.3579		0.3401	0.3476
	0.3185	0.3203		0.3325	0.3493		0.3396	0.3392
	0.3120	0.3139		0.3246	0.3424		0.3323	0.3329
Reference Range: 6240~6680K			Reference Range: 5500~5850K			Reference Range: 5180~5500K		
64D	0.3120	0.3139	56B	0.3246	0.3424	53D	0.3323	0.3329
	0.3185	0.3203		0.3325	0.3493		0.3396	0.3392
	0.3192	0.3131		0.3324	0.3410		0.3392	0.3310
	0.3131	0.3070		0.3249	0.3344		0.3323	0.3251
Reference Range: 6240~6680K			Reference Range: 5500~5850K			Reference Range: 5180~5500K		
60A	0.3161	0.3432	56C	0.3249	0.3344			
	0.3242	0.3506		0.3324	0.3410			
	0.3246	0.3424		0.3323	0.3329			
	0.3169	0.3353		0.3253	0.3266			
Reference Range: 5850~6240K			Reference Range: 5500~5850K					
60B	0.3169	0.3353	56D	0.3253	0.3266			
	0.3246	0.3424		0.3323	0.3329			
	0.3249	0.3344		0.3323	0.3251			
	0.3177	0.3277		0.3256	0.3191			
Reference Range: 5850~6240K			Reference Range: 5500~5850K					

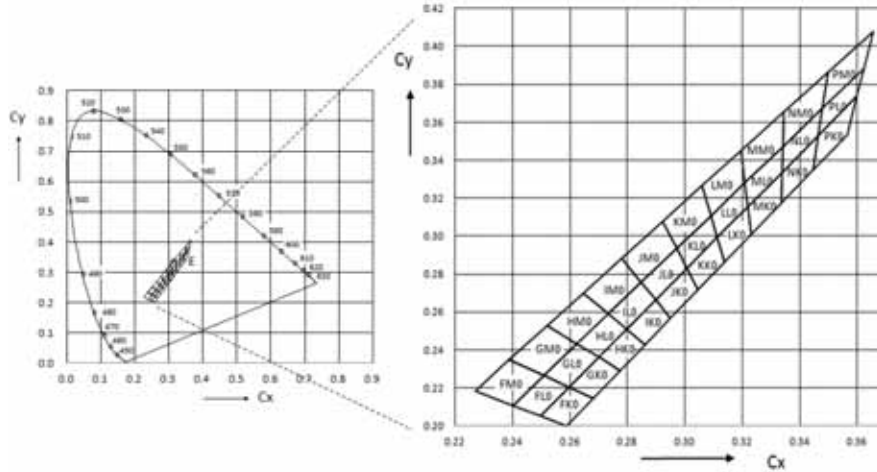
Amber Bin Coordinates

Bin	CIE X	CIE Y
YA	0.5680	0.4315
	0.5634	0.4269
	0.5833	0.4075
	0.5901	0.4094
YB	0.5763	0.4054
	0.5833	0.4075
	0.5634	0.4269
	0.5557	0.4192

TECHNICAL DATA

AUTOMOTIVE BIN SELECTION

Interior / White



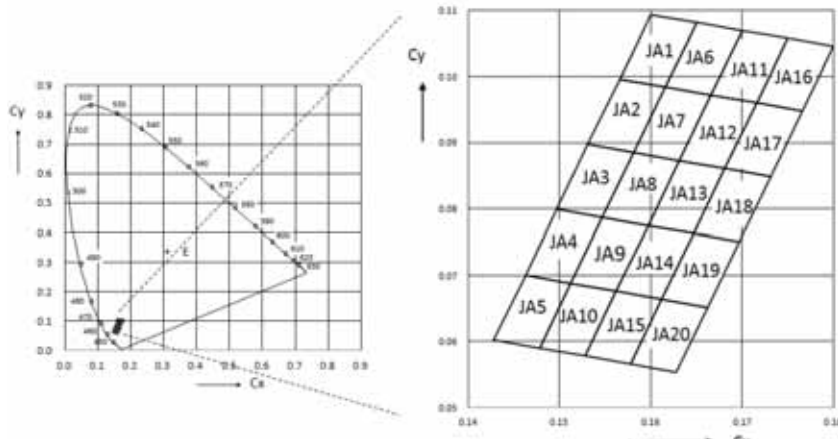
Bin Range of Chromaticity Coordinates Specifications

Bin Code	CIE X	CIE Y	Bin Code	CIE X	CIE Y	Bin Code	CIE X	CIE Y	Bin Code	CIE X	CIE Y
FK0	0.2589	0.2000	NK0	0.3339	0.3336	LL0	0.3113	0.2992	JM0	0.2848	0.2757
	0.2498	0.2053		0.3335	0.3172		0.3090	0.3108		0.2780	0.2883
	0.2597	0.2204		0.3447	0.3347		0.3209	0.3281		0.2922	0.3077
	0.2682	0.2146		0.3465	0.3530		0.3219	0.3154		0.2971	0.2935
GK0	0.2682	0.2146	PK0	0.3465	0.3530	ML0	0.3341	0.3472	KM0	0.2971	0.2935
	0.2597	0.2204		0.3447	0.3347		0.3209	0.3281		0.2922	0.3077
	0.2700	0.2361		0.3567	0.3535		0.3219	0.3154		0.3060	0.3266
	0.2775	0.2292		0.3599	0.3735		0.3339	0.3336		0.3090	0.3108
HK0	0.2775	0.2292	FL0	0.2498	0.2053	NL0	0.3341	0.3472	LM0	0.3090	0.3108
	0.2700	0.2361		0.2402	0.2108		0.3339	0.3336		0.3060	0.3266
	0.2797	0.2509		0.2509	0.2264		0.3465	0.3530		0.3196	0.3451
	0.2861	0.2427		0.2597	0.2204		0.3479	0.3673		0.3209	0.3281
IK0	0.2861	0.2427	GL0	0.2597	0.2204	PL0	0.3479	0.3673	MM0	0.3345	0.3654
	0.2797	0.2509		0.2509	0.2264		0.3465	0.3530		0.3196	0.3451
	0.2898	0.2664		0.2624	0.2431		0.3599	0.3735		0.3209	0.3281
	0.2950	0.2568		0.2700	0.2361		0.3623	0.3882		0.3341	0.3472
JK0	0.2950	0.2568	HL0	0.2700	0.2361	FM0	0.2388	0.2348	NM0	0.3345	0.3654
	0.2898	0.2664		0.2624	0.2431		0.2269	0.2185		0.3341	0.3472
	0.3007	0.2830		0.2733	0.2590		0.2402	0.2108		0.3479	0.3673
	0.3045	0.2717		0.2797	0.2509		0.2509	0.2264		0.3498	0.3863
KK0	0.3045	0.2717	ILO	0.2797	0.2509	GM0	0.2509	0.2264	PM0	0.3498	0.3863
	0.3007	0.2830		0.2733	0.2590		0.2388	0.2348		0.3479	0.3673
	0.3113	0.2992		0.2848	0.2757		0.2520	0.2527		0.3623	0.3882
	0.3138	0.2862		0.2898	0.2664		0.2624	0.2431		0.3655	0.4079
LK0	0.3138	0.2862	JL0	0.2898	0.2664	HM0	0.2624	0.2431			
	0.3113	0.2992		0.2848	0.2757		0.2530	0.2527			
	0.3219	0.3154		0.2971	0.2935		0.2646	0.2700			
	0.3231	0.3008		0.3007	0.2830		0.2733	0.2590			
MK0	0.3339	0.3336	KL0	0.3007	0.2830	IM0	0.2733	0.2590			
	0.3219	0.3154		0.2971	0.2935		0.2646	0.2700			
	0.3231	0.3008		0.3090	0.3108		0.2780	0.2883			
	0.3335	0.3172		0.3113	0.2992		0.2848	0.2757			

Notes: Tolerance of Chromaticity Coordinates: ±0.01

AUTOMOTIVE BIN SELECTION

Interior / Sky Blue

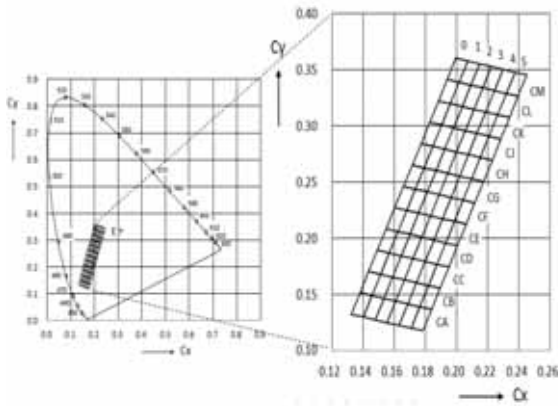


Bin Range of Chromaticity Coordinates Specifications

Bin Code	CIE X	CIE Y	Bin Code	CIE X	CIE Y	Bin Code	CIE X	CIE Y
JA1	0.1600	0.1094	JA9	0.1547	0.0787	JA17	0.1716	0.0960
	0.1650	0.1082		0.1597	0.0775		0.1766	0.0948
	0.1616	0.0984		0.1562	0.0676		0.1731	0.0849
	0.1566	0.0996		0.1512	0.0688		0.1681	0.0861
JA2	0.1566	0.0996	JA10	0.1512	0.0688	JA18	0.1681	0.0861
	0.1616	0.0984		0.1562	0.0676		0.1731	0.0849
	0.1581	0.0885		0.1528	0.0578		0.1697	0.0751
	0.1531	0.0897		0.1478	0.0590		0.1647	0.0763
JA3	0.1531	0.0897	JA11	0.1700	0.1070	JA19	0.1647	0.0763
	0.1581	0.0885		0.1750	0.1058		0.1697	0.0751
	0.1547	0.0787		0.1716	0.0960		0.1662	0.0652
	0.1497	0.0799		0.1666	0.0972		0.1612	0.0664
JA4	0.1497	0.0799	JA12	0.1666	0.0972	JA20	0.1612	0.0664
	0.1547	0.0787		0.1716	0.0960		0.1662	0.0652
	0.1512	0.0688		0.1681	0.0861		0.1628	0.0554
	0.1463	0.0700		0.1631	0.0873		0.1578	0.0566
JA5	0.1463	0.0700	JA13	0.1631	0.0873			
	0.1512	0.0688		0.1681	0.0861			
	0.1478	0.0590		0.1647	0.0763			
	0.1428	0.0602		0.1597	0.0775			
JA6	0.1650	0.1082	JA14	0.1597	0.0775			
	0.1700	0.1070		0.1647	0.0763			
	0.1666	0.0972		0.1612	0.0664			
	0.1616	0.0984		0.1562	0.0676			
JA7	0.1616	0.0984	JA15	0.1562	0.0676			
	0.1666	0.0972		0.1612	0.0664			
	0.1631	0.0873		0.1578	0.0566			
	0.1581	0.0885		0.1528	0.0578			
JA8	0.1581	0.0885	JA16	0.1750	0.1058			
	0.1631	0.0873		0.1800	0.1046			
	0.1597	0.0775		0.1766	0.0948			
	0.1547	0.0787		0.1716	0.0960			

AUTOMOTIVE BIN SELECTION

Interior / Ice Blue



Bin Range of Chromaticity Coordinates Specifications

Bin Code	CIE X	CIE Y	Bin Code	CIE X	CIE Y
CM0	0.1940	0.3415	CL1	0.1960	0.3200
	0.1996	0.3605		0.2016	0.3390
	0.2072	0.3580		0.2092	0.3366
	0.2016	0.3390		0.2036	0.3176
CM1	0.2016	0.3390	CL2	0.2036	0.3176
	0.2072	0.3580		0.2092	0.3366
	0.2148	0.3556		0.2168	0.3341
	0.2092	0.3366		0.2112	0.3151
CM2	0.2092	0.3366	CL3	0.2112	0.3151
	0.2148	0.3556		0.2168	0.3341
	0.2224	0.3531		0.2244	0.3316
	0.2168	0.3341		0.2188	0.3126
CM3	0.2168	0.3341	CL4	0.2188	0.3126
	0.2224	0.3531		0.2244	0.3316
	0.2299	0.3506		0.2319	0.3291
	0.2244	0.3316		0.2264	0.3101
CM4	0.2244	0.3316	CL5	0.2264	0.3101
	0.2299	0.3506		0.2319	0.3291
	0.2375	0.3481		0.2395	0.3267
	0.2319	0.3291		0.2340	0.3077
CM5	0.2319	0.3291	CK0	0.1828	0.3035
	0.2375	0.3481		0.1884	0.3225
	0.2451	0.3457		0.1960	0.3200
	0.2395	0.3267		0.1904	0.3010
CL0	0.1884	0.3225	CK1	0.1904	0.3010
	0.1940	0.3415		0.1960	0.3200
	0.2016	0.3390		0.2036	0.3176
	0.1960	0.3200		0.1980	0.2986

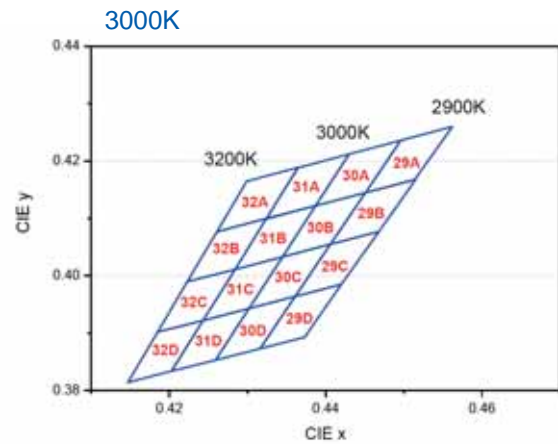
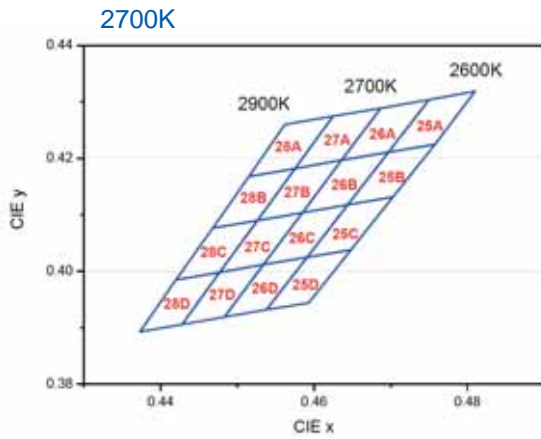
Bin Code	CIE X	CIE Y	Bin Code	CIE X	CIE Y
CK2	0.1980	0.2986	CH1	0.1792	0.2630
	0.2036	0.3176		0.1848	0.2820
	0.2112	0.3151		0.1924	0.2796
	0.2056	0.2961		0.1869	0.2606
CK3	0.2056	0.2961	CH2	0.1869	0.2606
	0.2112	0.3151		0.1924	0.2796
	0.2188	0.3126		0.2000	0.2771
	0.2132	0.2936		0.1945	0.2581
CK4	0.2132	0.2936	CH3	0.1945	0.2581
	0.2188	0.3126		0.2000	0.2771
	0.2264	0.3101		0.2077	0.2746
	0.2208	0.2911		0.2021	0.2556
CK5	0.2208	0.2911	CH4	0.2021	0.2556
	0.2264	0.3101		0.2077	0.2746
	0.2340	0.3077		0.2153	0.2721
	0.2284	0.2887		0.2097	0.2531
CJ0	0.1772	0.2845	CH5	0.2097	0.2531
	0.1828	0.3035		0.2153	0.2721
	0.1904	0.3010		0.2229	0.2697
	0.1848	0.2820		0.2173	0.2507
CJ1	0.1848	0.2820	CG0	0.1660	0.2465
	0.1904	0.3010		0.1716	0.2655
	0.1980	0.2986		0.1792	0.2630
	0.1924	0.2796		0.1736	0.2440
CJ2	0.1924	0.2796	CG1	0.1736	0.2440
	0.1980	0.2986		0.1792	0.2630
	0.2056	0.2961		0.1869	0.2606
	0.2000	0.2771		0.1813	0.2416
CJ3	0.2000	0.2771	CG2	0.1813	0.2416
	0.2056	0.2961		0.1869	0.2606
	0.2132	0.2936		0.1945	0.2581
	0.2077	0.2746		0.1889	0.2391
CJ4	0.2077	0.2746	CG3	0.1889	0.2391
	0.2132	0.2936		0.1945	0.2581
	0.2208	0.2911		0.2021	0.2556
	0.2153	0.2721		0.1965	0.2366
CJ5	0.2153	0.2721	CG4	0.1965	0.2366
	0.2208	0.2911		0.2021	0.2556
	0.2284	0.2887		0.2097	0.2531
	0.2229	0.2697		0.2043	0.2341
CH0	0.1716	0.2655	CG5	0.2043	0.2341
	0.1772	0.2845		0.2097	0.2531
	0.1848	0.2820		0.2173	0.2507
	0.1792	0.2630		0.2118	0.2317

Bin Code	CIE X	CIE Y	Bin Code	CIE X	CIE Y
CF0	0.1604	0.2275	CE5	0.1930	0.1961
	0.1660	0.2465		0.1986	0.2151
	0.1736	0.2440		0.2062	0.2127
	0.1680	0.2250		0.2007	0.1937
CF1	0.1680	0.2250	CD0	0.1492	0.1895
	0.1736	0.2440		0.1548	0.2085
	0.1813	0.2416		0.1624	0.2060
	0.1757	0.2226		0.1568	0.1870
CF2	0.1757	0.2226	CD1	0.1568	0.1870
	0.1813	0.2416		0.1624	0.2060
	0.1889	0.2391		0.1701	0.2036
	0.1833	0.2201		0.1645	0.1846
CF3	0.1833	0.2201	CD2	0.1645	0.1846
	0.1889	0.2391		0.1701	0.2036
	0.1965	0.2366		0.1777	0.2011
	0.1909	0.2176		0.1721	0.1821
CF4	0.1909	0.2176	CD3	0.1721	0.1821
	0.1965	0.2366		0.1777	0.2011
	0.2043	0.2341		0.1854	0.1986
	0.1986	0.2151		0.1798	0.1796
CF5	0.1986	0.2151	CD4	0.1798	0.1796
	0.2043	0.2341		0.1854	0.1986
	0.2118	0.2317		0.1930	0.1961
	0.2062	0.2127		0.1875	0.1771
CE0	0.1548	0.2085	CD5	0.1875	0.1771
	0.1604	0.2275		0.1930	0.1961
	0.1680	0.2250		0.2007	0.1937
	0.1624	0.2060		0.1951	0.1747
CE1	0.1624	0.2060	CC0	0.1436	0.1705
	0.1680	0.2250		0.1492	0.1895
	0.1757	0.2226		0.1568	0.1870
	0.1701	0.2036		0.1513	0.1680
CE2	0.1701	0.2036	CC1	0.1513	0.1680
	0.1757	0.2226		0.1568	0.1870
	0.1833	0.2201		0.1645	0.1846
	0.1777	0.2011		0.1589	0.1656
CE3	0.1777	0.2011	CC2	0.1589	0.1656
	0.1833	0.2201		0.1645	0.1846
	0.1909	0.2176		0.1721	0.1821
	0.1854	0.1986		0.1666	0.1631
CE4	0.1854	0.1986	CC3	0.1666	0.1631
	0.1909	0.2176		0.1721	0.1821
	0.1986	0.2151		0.1798	0.1796
	0.1930	0.1961		0.1742	0.1606

Bin Code	CIE X	CIE Y	Bin Code	CIE X	CIE Y
CC4	0.1742	0.1606	CB5	0.1764	0.1391
	0.1798	0.1796		0.1819	0.1581
	0.1875	0.1771		0.1896	0.1557
	0.1819	0.1581		0.1840	0.1367
CC5	0.1819	0.1581	CA0	0.1324	0.1325
	0.1875	0.1771		0.1380	0.1515
	0.1951	0.1747		0.1457	0.1490
	0.1896	0.1557		0.1401	0.1300
CB0	0.1380	0.1515	CA1	0.1401	0.1300
	0.1436	0.1705		0.1457	0.1490
	0.1513	0.1680		0.1533	0.1466
	0.1457	0.1490		0.1477	0.1276
CB1	0.1457	0.1490	CA2	0.1477	0.1276
	0.1513	0.1680		0.1533	0.1466
	0.1589	0.1656		0.1610	0.1441
	0.1533	0.1466		0.1554	0.1251
CB2	0.1533	0.1466	CA3	0.1554	0.1251
	0.1589	0.1656		0.1610	0.1441
	0.1666	0.1631		0.1687	0.1416
	0.1610	0.1441		0.1631	0.1226
CB3	0.1610	0.1441	CA4	0.1631	0.1226
	0.1666	0.1631		0.1687	0.1416
	0.1742	0.1606		0.1764	0.1391
	0.1687	0.1416		0.1708	0.1201
CB4	0.1687	0.1416	CA5	0.1708	0.1201
	0.1742	0.1606		0.1764	0.1391
	0.1819	0.1581		0.1840	0.1367
	0.1764	0.1391		0.1785	0.1177

AUTOMOTIVE BIN SELECTION

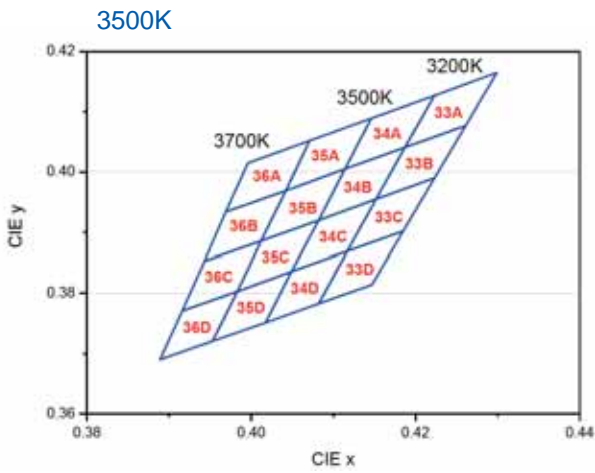
Interior / 5630/2835



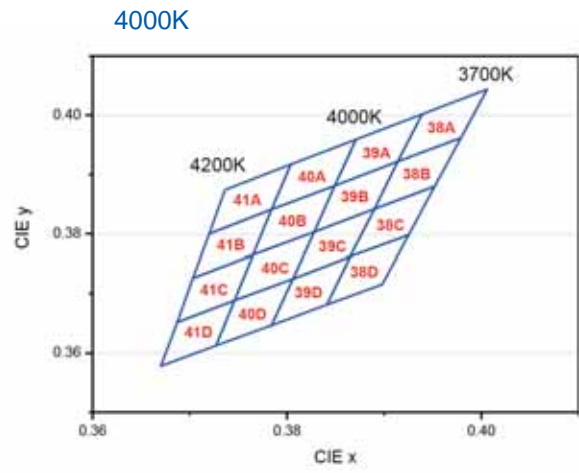
Bin Range of Chromaticity Coordinates Specifications

CCT	Bin Code	CIE X	CIE Y	Bin Code	CIE X	CIE Y
2700K	25A	0.4750	0.4304	25B	0.4697	0.4211
		0.4697	0.4211		0.4644	0.4118
		0.4758	0.4225		0.4703	0.4132
		0.4810	0.4319		0.4758	0.4225
	25C	0.4644	0.4118	25D	0.4591	0.4025
		0.4591	0.4025		0.4538	0.3932
		0.4648	0.4038		0.4593	0.3944
		0.4703	0.4132		0.4648	0.4038
	26A	0.4687	0.4289	26B	0.4636	0.4197
		0.4636	0.4197		0.4585	0.4104
		0.4697	0.4211		0.4644	0.4118
		0.4750	0.4304		0.4697	0.4211
	26C	0.4585	0.4104	26D	0.4534	0.4012
		0.4534	0.4012		0.4483	0.3919
		0.4591	0.4025		0.4538	0.3932
		0.4644	0.4118		0.4591	0.4025
	27A	0.4625	0.4275	27B	0.4575	0.4182
		0.4575	0.4182		0.4526	0.4090
		0.4636	0.4197		0.4585	0.4104
		0.4687	0.4289		0.4636	0.4197
	27C	0.4526	0.4090	27D	0.4477	0.3998
		0.4477	0.3998		0.4428	0.3906
		0.4534	0.4012		0.4483	0.3919
		0.4585	0.4104		0.4534	0.4012
	28A	0.4562	0.4260	28B	0.4515	0.4168
		0.4515	0.4168		0.4468	0.4077
		0.4575	0.4182		0.4526	0.4090
		0.4625	0.4275		0.4575	0.4182
28C	0.4468	0.4077	28D	0.4420	0.3985	
	0.4420	0.3985		0.4373	0.3893	
	0.4477	0.3998		0.4428	0.3906	
	0.4526	0.4090		0.4477	0.3998	

CCT	Bin Code	CIE X	CIE Y	Bin Code	CIE X	CIE Y
3000K	29A	0.4496	0.4236	29B	0.4451	0.4145
		0.4451	0.4145		0.4406	0.4055
		0.4514	0.4168		0.4468	0.4077
		0.4562	0.4260		0.4515	0.4168
	29C	0.4406	0.4055	29D	0.4361	0.3964
		0.4361	0.3964		0.4316	0.3873
		0.4420	0.3985		0.4373	0.3893
		0.4468	0.4077		0.4420	0.3985
	30A	0.4430	0.4212	30B	0.4387	0.4122
		0.4387	0.4122		0.4345	0.4033
		0.4451	0.4145		0.4406	0.4055
		0.4496	0.4236		0.4451	0.4145
	30C	0.4345	0.4033	30D	0.4302	0.3943
		0.4302	0.3943		0.4259	0.3853
		0.4361	0.3964		0.4316	0.3873
		0.4406	0.4055		0.4361	0.3964
	31A	0.4364	0.4188	31B	0.4324	0.4100
		0.4324	0.4099		0.4284	0.4011
		0.4387	0.4122		0.4345	0.4033
		0.4430	0.4212		0.4387	0.4122
	31C	0.4284	0.4011	31D	0.4302	0.3943
		0.4243	0.3922		0.4259	0.3853
		0.4302	0.3943		0.4203	0.3834
		0.4345	0.4033		0.4243	0.3922
	32A	0.4299	0.4165	32B	0.4261	0.4077
		0.4261	0.4077		0.4223	0.3990
		0.4324	0.4100		0.4284	0.4011
		0.4365	0.4189		0.4324	0.4100
32C	0.4223	0.3990	32D	0.4243	0.3922	
	0.4185	0.3902		0.4203	0.3834	
	0.4243	0.3922		0.4147	0.3814	
	0.4284	0.4011		0.4185	0.3902	



Bin Range of Chromaticity Coordinates Specifications



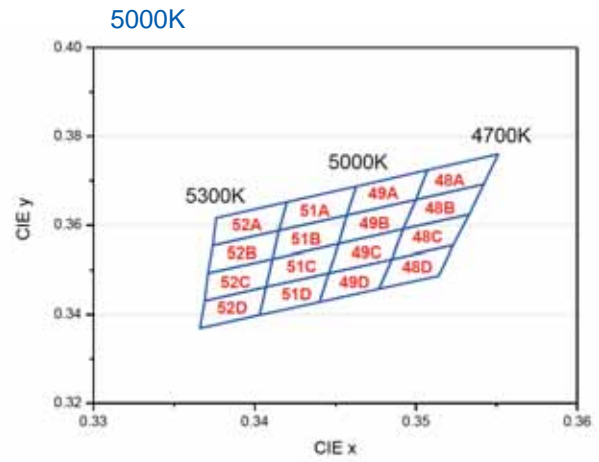
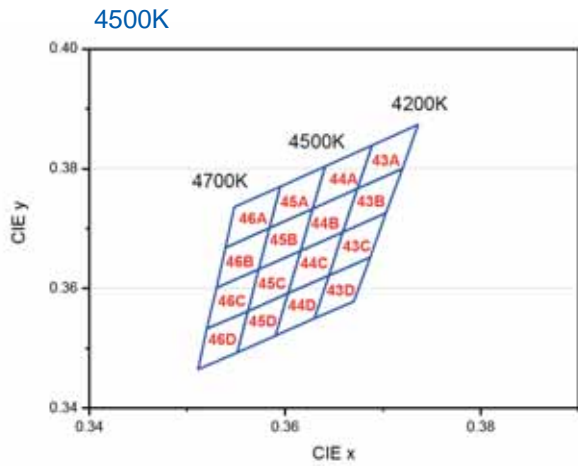
Bin Range of Chromaticity Coordinates Specifications

CCT	Bin Code	CIE X	CIE Y	Bin Code	CIE X	CIE Y
3500K	33A	0.4223	0.4127	33B	0.4187	0.4041
		0.4187	0.4041		0.4152	0.3955
		0.4261	0.4077		0.4223	0.3990
		0.4299	0.4165		0.4261	0.4077
	33C	0.4152	0.3955	33D	0.4117	0.3869
		0.4117	0.3869		0.4082	0.3783
		0.4185	0.3902		0.4147	0.3814
		0.4223	0.3990		0.4185	0.3902
	34A	0.4146	0.4089	34B	0.4114	0.4005
		0.4114	0.4005		0.4082	0.3920
		0.4187	0.4041		0.4152	0.3955
		0.4223	0.4127		0.4187	0.4041
	34C	0.4082	0.3920	34D	0.4049	0.3836
		0.4049	0.3836		0.4017	0.3751
		0.4117	0.3869		0.4082	0.3783
		0.4152	0.3955		0.4117	0.3869
	35A	0.4071	0.4052	35B	0.4042	0.3969
		0.4042	0.3969		0.4012	0.3886
		0.4114	0.4005		0.4082	0.3920
		0.4146	0.4089		0.4114	0.4005
	35C	0.4012	0.3886	35D	0.3983	0.3803
		0.3983	0.3803		0.3953	0.3721
		0.4049	0.3836		0.4017	0.3751
		0.4082	0.3920		0.4049	0.3836
	36A	0.3996	0.4015	36B	0.3969	0.3934
		0.3969	0.3934		0.3943	0.3853
		0.4042	0.3969		0.4012	0.3886
		0.4071	0.4052		0.4042	0.3969
	36C	0.3943	0.3853	36D	0.3916	0.3771
		0.3916	0.3771		0.3889	0.3690
		0.3983	0.3803		0.3953	0.3721
		0.4012	0.3886		0.3983	0.3803

CCT	Bin Code	CIE X	CIE Y	Bin Code	CIE X	CIE Y
4000K	38A	0.3939	0.4002	38B	0.3914	0.3922
		0.3914	0.3922		0.3890	0.3842
		0.3979	0.3962		0.3952	0.3880
		0.4006	0.4044		0.3979	0.3962
	38C	0.3890	0.3842	38D	0.3865	0.3762
		0.3865	0.3762		0.3841	0.3682
		0.3925	0.3798		0.3898	0.3716
		0.3952	0.3880		0.3925	0.3798
	39A	0.3871	0.3959	39B	0.3849	0.3881
		0.3849	0.3881		0.3828	0.3803
		0.3914	0.3922		0.3890	0.3842
		0.3939	0.4002		0.3914	0.3922
	39C	0.3828	0.3803	39D	0.3806	0.3725
		0.3806	0.3725		0.3784	0.3647
		0.3865	0.3762		0.3841	0.3682
		0.3890	0.3842		0.3865	0.3762
	40A	0.3804	0.3917	40B	0.3784	0.3841
		0.3784	0.3841		0.3765	0.3765
		0.3849	0.3881		0.3828	0.3803
		0.3871	0.3959		0.3849	0.3881
	40C	0.3765	0.3765	40D	0.3746	0.3689
		0.3746	0.3689		0.3727	0.3613
		0.3806	0.3725		0.3784	0.3647
		0.3828	0.3803		0.3806	0.3725
41A	0.3736	0.3874	41B	0.3720	0.3800	
	0.3720	0.3800		0.3703	0.3726	
	0.3784	0.3841		0.3765	0.3765	
	0.3804	0.3917		0.3784	0.3841	
41C	0.3703	0.3726	41D	0.3687	0.3652	
	0.3687	0.3652		0.3670	0.3578	
	0.3746	0.3689		0.3727	0.3613	
	0.3765	0.3765		0.3746	0.3689	

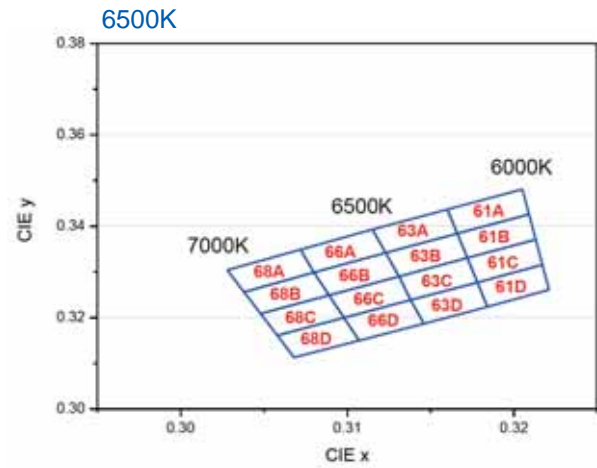
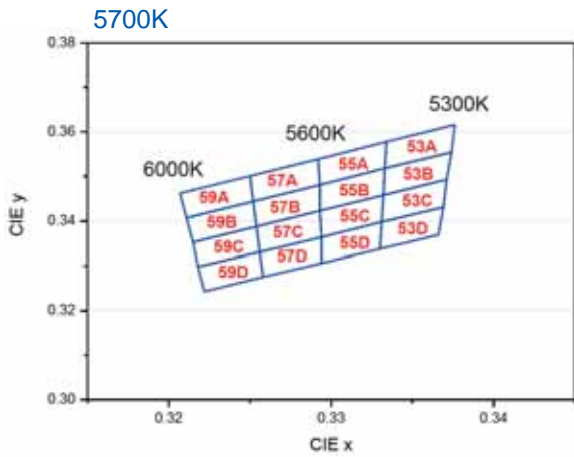
AUTOMOTIVE BIN SELECTION

Interior / 5630/2835



CCT	Bin Code	CIE X	CIE Y	Bin Code	CIE X	CIE Y
4500K	43A	0.3689	0.3839	43B	0.3674	0.3767
		0.3674	0.3767		0.3659	0.3694
		0.3720	0.3800		0.3703	0.3726
		0.3736	0.3874		0.3720	0.3800
	43C	0.3659	0.3694	43D	0.3645	0.3622
		0.3645	0.3622		0.3630	0.3550
		0.3687	0.3652		0.3670	0.3578
		0.3703	0.3726		0.3687	0.3652
	44A	0.3641	0.3804	44B	0.3628	0.3733
		0.3628	0.3733		0.3616	0.3663
		0.3674	0.3767		0.3659	0.3694
		0.3689	0.3839		0.3674	0.3767
	44C	0.3616	0.3663	44D	0.3603	0.3592
		0.3603	0.3592		0.3590	0.3521
		0.3645	0.3622		0.3630	0.3550
		0.3659	0.3694		0.3645	0.3622
	45A	0.3595	0.3770	45B	0.3584	0.3701
		0.3584	0.3701		0.3573	0.3632
		0.3628	0.3733		0.3616	0.3663
		0.3641	0.3804		0.3628	0.3733
	45C	0.3573	0.3632	45D	0.3562	0.3562
		0.3562	0.3562		0.3551	0.3493
		0.3603	0.3592		0.3590	0.3521
		0.3616	0.3663		0.3603	0.3592
	46A	0.3548	0.3736	46B	0.3539	0.3668
		0.3539	0.3668		0.3530	0.3601
		0.3584	0.3701		0.3573	0.3632
		0.3595	0.3770		0.3584	0.3701
	46C	0.3530	0.3601	46D	0.3520	0.3533
		0.3520	0.3533		0.3511	0.3465
		0.3562	0.3562		0.3551	0.3493
		0.3573	0.3632		0.3562	0.3562

CCT	Bin Code	CIE X	CIE Y	Bin Code	CIE X	CIE Y
5000K	48A	0.3507	0.3724	48B	0.3500	0.3657
		0.3500	0.3657		0.3492	0.3591
		0.3542	0.3692		0.3533	0.3624
		0.3551	0.3760		0.3542	0.3692
	48C	0.3492	0.3591	48D	0.3485	0.3524
		0.3485	0.3524		0.3477	0.3458
		0.3523	0.3555		0.3514	0.3487
		0.3533	0.3624		0.3523	0.3555
	49A	0.3463	0.3687	49B	0.3457	0.3622
		0.3457	0.3622		0.3452	0.3558
		0.3500	0.3657		0.3492	0.3591
		0.3507	0.3724		0.3500	0.3657
	49C	0.3452	0.3558	49D	0.3446	0.3493
		0.3446	0.3493		0.3440	0.3428
		0.3485	0.3524		0.3477	0.3458
		0.3492	0.3591		0.3485	0.3524
	51A	0.3420	0.3652	51B	0.3415	0.3588
		0.3415	0.3588		0.3411	0.3525
		0.3457	0.3622		0.3452	0.3558
		0.3463	0.3687		0.3457	0.3622
	51C	0.3411	0.3525	51D	0.3407	0.3462
		0.3407	0.3462		0.3403	0.3399
		0.3446	0.3493		0.3440	0.3428
		0.3452	0.3558		0.3446	0.3493
	52A	0.3376	0.3616	52B	0.3374	0.3554
		0.3374	0.3554		0.3371	0.3493
		0.3415	0.3588		0.3411	0.3525
		0.3420	0.3652		0.3415	0.3588
	52C	0.3371	0.3493	52D	0.3369	0.3431
		0.3369	0.3431		0.3366	0.3369
		0.3407	0.3462		0.3403	0.3399
		0.3411	0.3525		0.3407	0.3462



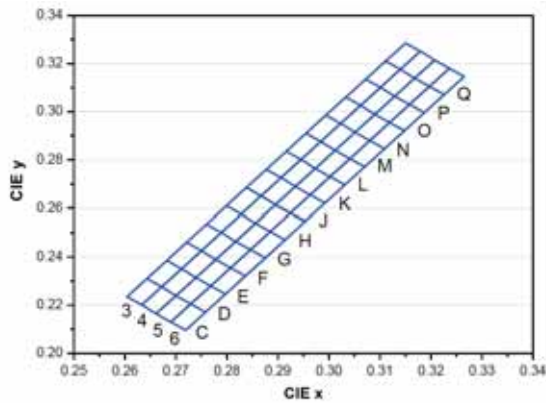
Bin Range of Chromaticity Coordinates Specifications

CCT	Bin Code	CIE X	CIE Y	Bin Code	CIE X	CIE Y
5700K	53A	0.3334	0.3578	53B	0.3333	0.3518
		0.3333	0.3518		0.3332	0.3458
		0.3374	0.3554		0.3371	0.3493
		0.3376	0.3616		0.3374	0.3554
	53C	0.3332	0.3458	53D	0.3331	0.3398
		0.3331	0.3398		0.3330	0.3338
		0.3369	0.3431		0.3366	0.3369
		0.3371	0.3493		0.3369	0.3431
	55A	0.3292	0.3539	55B	0.3293	0.3481
		0.3293	0.3481		0.3293	0.3423
		0.3333	0.3518		0.3332	0.3458
		0.3334	0.3578		0.3333	0.3518
	55C	0.3293	0.3423	55D	0.3294	0.3364
		0.3294	0.3364		0.3294	0.3306
		0.3331	0.3398		0.3330	0.3338
		0.3332	0.3458		0.3331	0.3398
	57A	0.3250	0.3501	57B	0.3252	0.3444
		0.3252	0.3444		0.3254	0.3388
		0.3293	0.3481		0.3293	0.3423
		0.3292	0.3539		0.3293	0.3481
	57C	0.3254	0.3388	57D	0.3256	0.3331
		0.3256	0.3331		0.3258	0.3275
		0.3294	0.3364		0.3294	0.3306
		0.3293	0.3423		0.3294	0.3364
	59A	0.3207	0.3462	59B	0.3211	0.3407
		0.3211	0.3407		0.3215	0.3353
		0.3252	0.3444		0.3254	0.3388
		0.3250	0.3501		0.3252	0.3444
	59C	0.3215	0.3353	59D	0.3218	0.3298
		0.3218	0.3298		0.3222	0.3243
		0.3256	0.3331		0.3258	0.3275
		0.3254	0.3388		0.3256	0.3331

CCT	Bin Code	CIE X	CIE Y	Bin Code	CIE X	CIE Y
6500K	61A	0.3160	0.3437	61B	0.3166	0.3384
		0.3166	0.3384		0.3172	0.3331
		0.3209	0.3426		0.3213	0.3371
		0.3205	0.3481		0.3209	0.3426
		0.3172	0.3331		0.3178	0.3277
	61C	0.3178	0.3277	61D	0.3184	0.3224
		0.3217	0.3316		0.3221	0.3261
		0.3213	0.3371		0.3217	0.3316
		0.3115	0.3393		0.3123	0.3342
	63A	0.3123	0.3342	63B	0.3131	0.3290
		0.3166	0.3384		0.3172	0.3331
		0.3160	0.3437		0.3166	0.3384
	63C	0.3131	0.3290	63D	0.3138	0.3239
		0.3138	0.3239		0.3146	0.3187
		0.3178	0.3277		0.3184	0.3224
		0.3172	0.3331		0.3178	0.3277
	66A	0.3072	0.3349	66B	0.3080	0.3299
		0.3080	0.3299		0.3089	0.3249
		0.3123	0.3342		0.3131	0.3290
		0.3115	0.3393		0.3123	0.3342
	66C	0.3089	0.3249	66D	0.3098	0.3200
		0.3098	0.3200		0.3107	0.3150
		0.3138	0.3239		0.3146	0.3187
		0.3131	0.3290		0.3138	0.3239
	68A	0.3028	0.3304	68B	0.3038	0.3256
		0.3038	0.3256		0.3048	0.3209
		0.3080	0.3299		0.3089	0.3249
		0.3072	0.3349		0.3080	0.3299
	68C	0.3048	0.3209	68D	0.3058	0.3161
		0.3058	0.3161		0.3068	0.3113
		0.3098	0.3200		0.3107	0.3150
		0.3089	0.3249		0.3098	0.3200

AUTOMOTIVE BIN SELECTION

Interior / Backlight



Bin Range of Chromaticity Coordinates Specifications

Bin Code	CIE X	CIE Y	Bin Code	CIE X	CIE Y
Q3	0.3140	0.3176	J3	0.2867	0.2651
	0.3111	0.3210		0.2838	0.2685
	0.3150	0.3285		0.2877	0.2760
	0.3179	0.3251		0.2906	0.2726
P3	0.3101	0.3101	Q4	0.3168	0.3139
	0.3072	0.3135		0.3140	0.3176
	0.3111	0.3210		0.3179	0.3251
	0.3140	0.3176		0.3207	0.3214
O3	0.3062	0.3026	P4	0.3129	0.3064
	0.3033	0.3060		0.3101	0.3101
	0.3072	0.3135		0.3140	0.3176
	0.3101	0.3101		0.3168	0.3139
N3	0.3023	0.2951	O4	0.3090	0.2989
	0.2994	0.2985		0.3062	0.3026
	0.3033	0.3060		0.3101	0.3101
	0.3062	0.3026		0.3129	0.3064
M3	0.2984	0.2876	N4	0.3051	0.2914
	0.2955	0.2910		0.3023	0.2951
	0.2994	0.2985		0.3062	0.3026
	0.3023	0.2951		0.3090	0.2989
L3	0.2945	0.2801	M4	0.3012	0.2839
	0.2916	0.2835		0.2984	0.2876
	0.2955	0.2910		0.3023	0.2951
	0.2984	0.2876		0.3051	0.2914
K3	0.2906	0.2726	L4	0.2973	0.2764
	0.2877	0.2760		0.2945	0.2801
	0.2916	0.2835		0.2984	0.2876
	0.2945	0.2801		0.3012	0.2839

Bin Code	CIE X	CIE Y	Bin Code	CIE X	CIE Y
K4	0.2934	0.2689	P6	0.3187	0.2996
	0.2906	0.2726		0.3158	0.3030
	0.2945	0.2801		0.3197	0.3105
	0.2973	0.2764		0.3226	0.3071
J4	0.2895	0.2614	O6	0.3148	0.2921
	0.2867	0.2651		0.3119	0.2955
	0.2906	0.2726		0.3158	0.3030
	0.2934	0.2689		0.3187	0.2996
Q5	0.3197	0.3105	N6	0.3109	0.2846
	0.3168	0.3139		0.3080	0.2880
	0.3207	0.3214		0.3119	0.2955
	0.3236	0.3180		0.3148	0.2921
P5	0.3158	0.3030	M6	0.3070	0.2771
	0.3129	0.3064		0.3041	0.2805
	0.3168	0.3139		0.3080	0.2880
	0.3197	0.3105		0.3109	0.2846
O5	0.3119	0.2955	L6	0.3031	0.2696
	0.3090	0.2989		0.3002	0.2730
	0.3129	0.3064		0.3041	0.2805
	0.3158	0.3030		0.3070	0.2771
N5	0.3080	0.2880	K6	0.2992	0.2621
	0.3051	0.2914		0.2963	0.2655
	0.3090	0.2989		0.3002	0.2730
	0.3119	0.2955		0.3031	0.2696
M5	0.3041	0.2805	J6	0.2953	0.2546
	0.3012	0.2839		0.2924	0.2580
	0.3051	0.2914		0.2963	0.2655
	0.3080	0.2880		0.2992	0.2621
L5	0.3002	0.2730	H3	0.2828	0.2576
	0.2973	0.2764		0.2799	0.2610
	0.3012	0.2839		0.2838	0.2685
	0.3041	0.2805		0.2867	0.2651
K5	0.2963	0.2655	G3	0.2789	0.2501
	0.2934	0.2689		0.2760	0.2535
	0.2973	0.2764		0.2799	0.2610
	0.3002	0.2730		0.2828	0.2576
J5	0.2924	0.2580	F3	0.2750	0.2426
	0.2895	0.2614		0.2721	0.2460
	0.2934	0.2689		0.2760	0.2535
	0.2963	0.2655		0.2789	0.2501
Q6	0.3226	0.3071	E3	0.2711	0.2351
	0.3197	0.3105		0.2682	0.2385
	0.3236	0.3180		0.2721	0.2460
	0.3265	0.3146		0.2750	0.2426

Bin Code	CIE X	CIE Y	Bin Code	CIE X	CIE Y
D3	0.2672	0.2276	E5	0.2768	0.2280
	0.2643	0.2310		0.2739	0.2314
	0.2682	0.2385		0.2778	0.2389
	0.2711	0.2351		0.2807	0.2355
C3	0.2633	0.2201	D5	0.2729	0.2205
	0.2604	0.2235		0.2700	0.2239
	0.2643	0.2310		0.2739	0.2314
	0.2672	0.2276		0.2768	0.2280
H4	0.2856	0.2539	C5	0.2690	0.2130
	0.2828	0.2576		0.2661	0.2164
	0.2867	0.2651		0.2700	0.2239
	0.2895	0.2614		0.2729	0.2205
G4	0.2817	0.2464	H6	0.2914	0.2471
	0.2789	0.2501		0.2885	0.2505
	0.2828	0.2576		0.2924	0.2580
	0.2856	0.2539		0.2953	0.2546
F4	0.2778	0.2389	G6	0.2875	0.2396
	0.2750	0.2426		0.2846	0.2430
	0.2789	0.2501		0.2885	0.2505
	0.2817	0.2464		0.2914	0.2471
E4	0.2739	0.2314	F6	0.2836	0.2321
	0.2711	0.2351		0.2807	0.2355
	0.2750	0.2426		0.2846	0.2430
	0.2778	0.2389		0.2875	0.2396
D4	0.2700	0.2239	E6	0.2797	0.2246
	0.2672	0.2276		0.2768	0.2280
	0.2711	0.2351		0.2807	0.2355
	0.2739	0.2314		0.2836	0.2321
C4	0.2661	0.2164	D6	0.2758	0.2171
	0.2633	0.2201		0.2729	0.2205
	0.2672	0.2276		0.2768	0.2280
	0.2700	0.2239		0.2797	0.2246
H5	0.2885	0.2505	C6	0.2719	0.2096
	0.2856	0.2539		0.2690	0.2130
	0.2895	0.2614		0.2729	0.2205
	0.2924	0.2580		0.2758	0.2171
G5	0.2846	0.2430			
	0.2817	0.2464			
	0.2856	0.2539			
	0.2885	0.2505			
F5	0.2807	0.2355			
	0.2778	0.2389			
	0.2817	0.2464			
	0.2846	0.2430			



Пробные образцы и промышленные партии
Шевелёв Илья
Skype: IMELECTIME
Рабочий: +7 (495) 204-13-84 доб. 1108
Моб: +7 915 116 02 80
E-mail: im@ledlamps.ru

VISIBLE LED

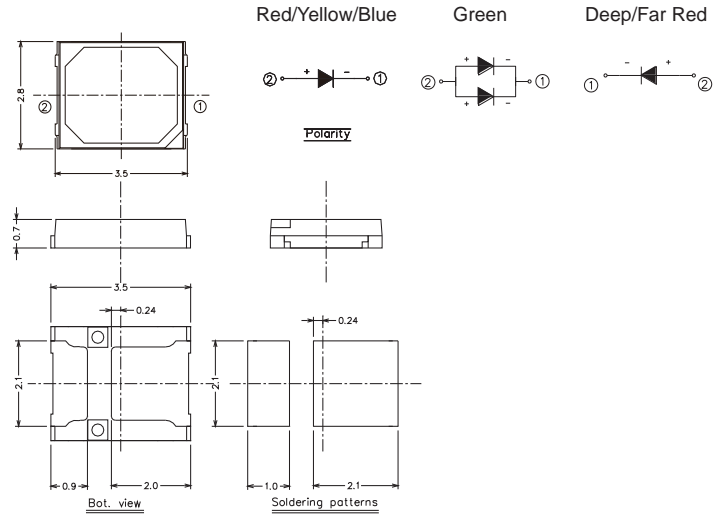
- 52** COLOR
- 58** HIGH POWER
- 60** DRIVER ON BOARD
- 63** Low Middle Power LED
- 85** UV
- 90** Flash LED
- 97** SMD LED
- 128** LED Lamps
- 140** LED Digital Displays
- 154** Signage LED
- 163** Automotive LED
- 175** Backlighting LED

Color | 2835

Color



UNIT : mm

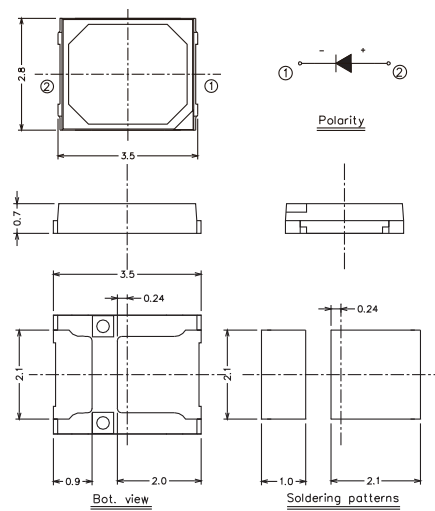


2835 / 0.2W / 60mA

Product	Size (LxWxHmm)	Forward Voltage (V)	Forward Current (mA)	Color	Peak Wavelength (nm)	Luminous Flux / Radiometric Power lm/mW
67-21S/B3C-D4555D5D72936Z6/2T	2.8x3.5x0.7	2.9-3.6	60mA	Royal Blue	445-455nm	2.8lm
67-21S/NDR2C-P5080B2C12029Z6/2T	2.8x3.5x0.7	2.0-2.9	60mA	Deep Red	650-680nm	47mW
67-21S/NFR2C-P2050A3B21522Z6/2T	2.8x3.5x0.7	1.5-2.2	60mA	Far Red	720-750nm	20mW
67-21S/G1C-D1530D5D83039Z2/2T	2.8x3.5x0.7	3.0-3.9	60mA	Green	515-530nm	13lm
67-21S/R2C-D2030B8L31926Z6/2T	2.8x3.5x0.7	1.9-2.6	60mA	Red	620-630nm	9.9lm
67-21S/Y2C-D8595B7L32128Z6/2T	2.8x3.5x0.7	2.1-2.8	60mA	Yellow	585-595nm	12lm



UNIT : mm



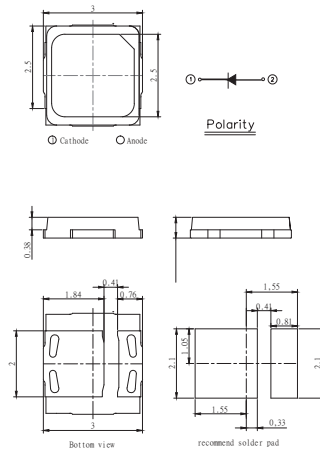
2835 / 0.5W / 150mA

Product	Size (LxWxHmm)	Forward Voltage (V)	Forward Current (mA)	Color	Peak Wavelength (nm)	Luminous Flux / Radiometric Power lm/mW
67-21S/NB3C-D4555B4L12835Z15/2T	2.8x3.5x0.7	2.8-3.5	150mA	Royal Blue	445-455nm	9.2lm
67-21S/NDR3C-P5080C1C51827Z15/2T	2.8x3.5x0.7	1.8-2.7	150mA	Deep Red	650-680nm	116mW
67-21S/NFR3C-P2050B2C41829Z15/2T	2.8x3.5x0.7	1.8-2.9	150mA	Far Red	720-750nm	89mW
67-21S/NG3C-D2035N3PB2936Z1512T	2.8x3.5x0.7	2.8-3.4	150mA	Green	520-535nm	36lm
67-21S/R3C-D1530L6M41829Z15/2T	2.8x3.5x0.7	1.8-2.9	150mA	Red	615-630nm	16lm
67-21S/NY3C-D9000L2L81828Z15/2T	2.8x3.5x0.7	1.8-2.8	150mA	Yellow	590-600nm	17lm

Color | XI3030



UNIT : mm



Color

XI3030 / 0.5W / 150mA

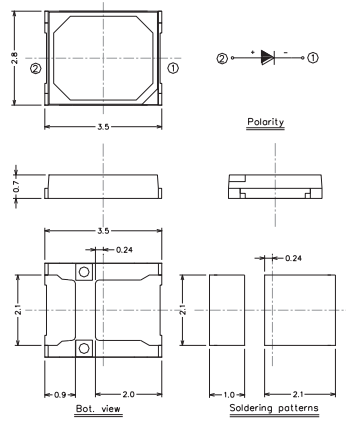
Product	Size (LxWxHmm)	Forward Voltage (V)	Forward Current (mA)	Color	Peak Wavelength (nm)	Luminous Flux / Radiometric Power lm/mW
XI3030P/B3C-D5060T2T625312Z15/2N	3.0x3.0x0.63	2.5~3.1	150	● Royal Blue	450-460nm	190mW
XI3030P/D3C-P4575S1S621271Z15/2N	3.0x3.0x0.63	2.1~2.7	150	● Deep Red	645-675nm	100mW
XI3030P/F3C-P1545R5S115251Z15/2N	3.0x3.0x0.63	1.4~2.5	150	● Far Red	715-745nm	70mW

Color ■ PC Red 2835

Color

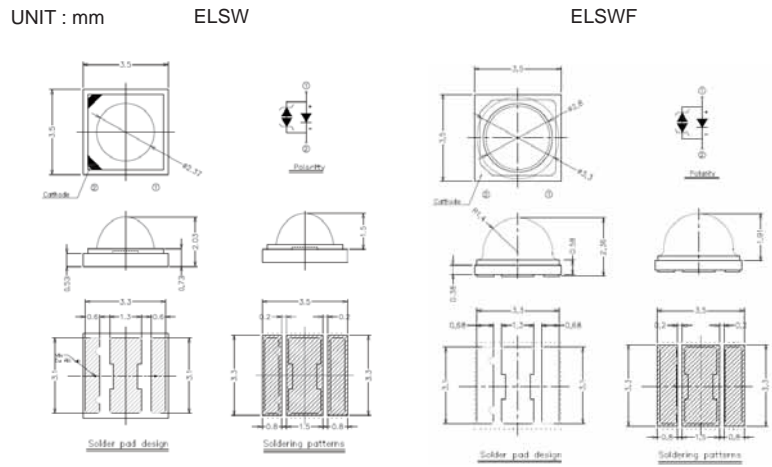


UNIT : mm



Product	Size (LxWxHmm)	Forward Voltage (V)	Forward Current (mA)	Color	Radiometric Power(mW) Avg.	Peak Wavelength (nm)	PPF (umol/s)	PPE (umol/J)	WPE (%)
67-21S/DRKC-P4060C4D12834Z15/2T	2.8x3.5x0.7	2.8~3.4	150mA	● Deep Red	163mW	640~660nm	0.88	1.81	33.44

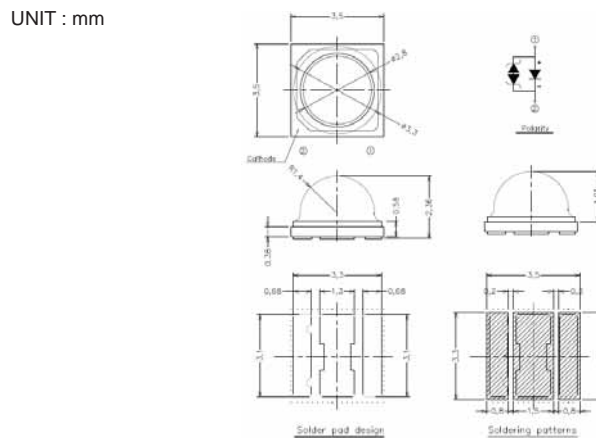
Color | Shwo/Monochromatic LED



3535 / 1W / 350mA

Product	Size (LxWxHmm)	Forward Voltage (V)	Forward Current (mA)	Color	Radiometric Power(mW) Avg.	Peak Wavelength (nm)	PPF (umol/s)	PPE (umol/J)
ELSW-Q91E1-0LPNM-AD3D8	3.5x3.5x2.03	1.75~2.95	350mA	● Far Red	275mW	715~745nm	1.51	2.1
ELSW-R21E1-0EPNM-AD3D8	3.5x3.5x2.03	1.75~2.95	350mA	● Deep Red	380mW	645~675nm	2.09	2.91
ELSW-R21E1-0EPNM-AD3D8(OR)	3.5x3.5x2.03	1.75~2.95	350mA	● Deep Red	430mW	645~675nm	2.53	3.21
ELSW-R51L1-0EPNM-CB4B6	3.5x3.5x2.03	2.65~3.85	350mA	● Royal Blue	530mW	445~460nm	2	1.84
ELSWF-R61L1-6FPNM-CB4B6	3.5x3.5x2.36	2.65~3.85	350mA	● Royal Blue	600mW	445~460nm	2.47	2.20

• Above spec is based on 85°C



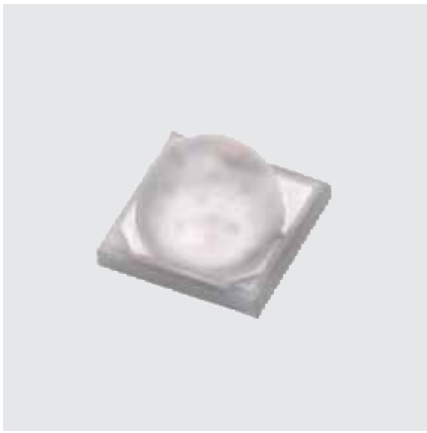
3535 / 2W / 700mA

Product	Size (LxWxHmm)	Forward Voltage (V)	Forward Current (mA)	Color	Radiometric Power(mW) Avg.	Peak Wavelength (nm)	PPF (umol/s)	PPE (umol/J)
ELSWF-S41L1-6FPNM-CB4B6	3.5x3.5x2.36	2.95~4.15	700mA	● Royal Blue	1300mW	445~460nm	5.28	2.51
ELSWN-R91E2-5EPNM-AD3D8(OR)	3.5x3.5x2.36	1.75~2.65	700mA	● Deep Red	900mW	655~665nm	6.05	4.02

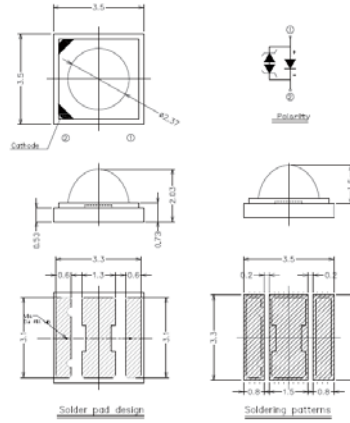
• Above spec is based on 85°C

Color | Shwo/Monochromatic LED

Color



UNIT : mm

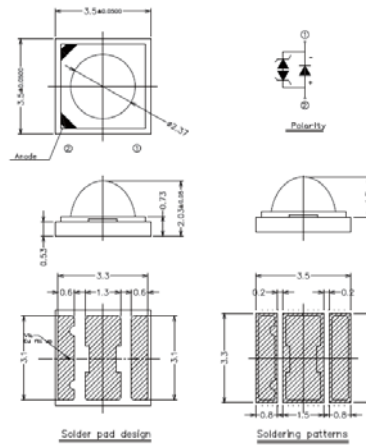


3535 / 1W / 350mA

Product	Size (LxWxHmm)	Forward Voltage (V)	Forward Current (mA)	Color	Peak Wavelength (nm)	Luminous Flux / Radiometric Power (lm/mW)
ELSW-J31G1-0LPNM-CG1G2	3.5x3.5x2.03	2.65-3.85	350	● Green	520-530nm	120lm
ELSW-J31G1-0LPNM-CG2G3	3.5x3.5x2.03	2.65-3.85	350	● Green	525-535nm	120lm
ELSW-E91B1-0LPNM-CB7B8	3.5x3.5x2.03	2.65-3.85	350	● Blue	460-470nm	23lm
ELSW-F11B1-0LPNM-CB8B9	3.5x3.5x2.03	2.65-3.85	350	● Blue	465-475nm	27lm
ELSW-F21B1-0LPNM-CBABB	3.5x3.5x2.03	2.65-3.85	350	● Blue	475-485nm	33lm



UNIT : mm



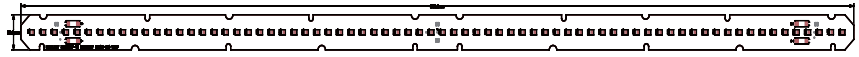
3535 / 1W / 350mA

Product	Size (LxWxHmm)	Forward Voltage (V)	Forward Current (mA)	Color	Peak Wavelength (nm)	Luminous Flux / Radiometric Power (lm/mW)
ELSW-F61R1-0PPNM-AR5R6	3.5x3.5x2.03	1.75-2.95	350	● Red	620-630nm	60lm
ELSW-F91O1-0EPNM-AR3R4	3.5x3.5x2.03	1.75-2.95	350	● Orange	610-620nm	90lm
ELSW-F61Y1-0EPNM-AA3A6	3.5x3.5x2.03	1.75-2.95	350	● Amber	585-595nm	60lm

Color | DOB



UNIT : mm



Color

DOB

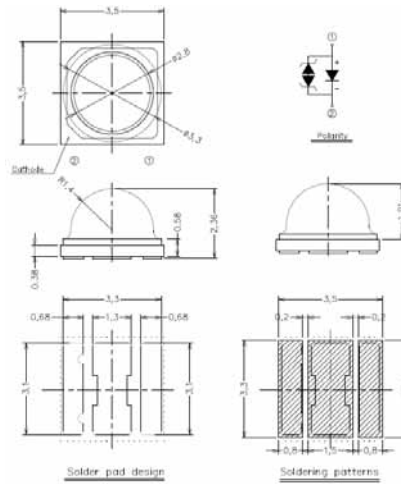
Product	Size (LxWxHmm)	Forward Voltage (V)	Forward Current (mA)	Color	Wavelength (nm)	Luminous Flux / Radiometric Power (lm/mW)
TSAN562P-M-A000-DC011-0001T	560x20	24~36	350/900	Blue+Deep Red	450nm+660nm	8800/25000mW

High power | Shwo (F)

High power



UNIT : mm



1W / 3V / 350mA

Product	Size (LxWxHmm)	Forward Voltage(V)	Forward Current(mA)	Color	CCT (K)	Luminous Flux (Min.)	Luminous Flux (TYP)	CRI (min.)
ELSWF-JJ1C1-6FPGS-C6500	3.5x3.5x2.36	2.65~3.55	350	○ Cool White	6500K	158	169	70
ELSWF-JJ1C1-6FPGS-C5700	3.5x3.5x2.36	2.65~3.55	350	○ Cool White	5700K	158	169	70
ELSWF-JJ1C1-6FPGS-C5000	3.5x3.5x2.36	2.65~3.55	350	○ Cool White	5000K	158	169	70
ELSWF-J71N1-6FPGS-C4000	3.5x3.5x2.36	2.65~3.55	350	○ Neutral White	4000K	145	155	70
ELSWF-J61M1-6FPGS-C3500	3.5x3.5x2.36	2.65~3.55	350	● Warm White	3500K	135	146	70
ELSWF-J61M1-6FPGS-C3000	3.5x3.5x2.36	2.65~3.55	350	● Warm White	3000K	135	146	70
ELSWF-J61M1-6FPGS-C2700	3.5x3.5x2.36	2.65~3.55	350	● Warm White	2700K	135	146	70

• Above spec is based on 85°C

3W / 3V / 700mA

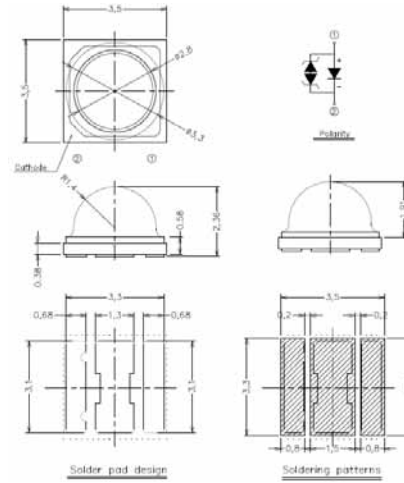
Product	Size (LxWxHmm)	Forward Voltage(V)	Forward Current(mA)	Color	CCT (K)	Luminous Flux (Min.)	Luminous Flux (TYP)	CRI (min.)
ELSWF-JJ1C1-6FPGS-C6500	3.5x3.5x2.36	2.65~3.85	700	○ Cool White	6500K	283	304	70
ELSWF-JJ1C1-6FPGS-C5700	3.5x3.5x2.36	2.65~3.85	700	○ Cool White	5700K	283	304	70
ELSWF-JJ1C1-6FPGS-C5000	3.5x3.5x2.36	2.65~3.85	700	○ Cool White	5000K	283	304	70
ELSWF-J71N1-6FPGS-C4000	3.5x3.5x2.36	2.65~3.85	700	○ Neutral White	4000K	260	278	70
ELSWF-J61M1-6FPGS-C3500	3.5x3.5x2.36	2.65~3.85	700	● Warm White	3500K	243	262	70
ELSWF-J61M1-6FPGS-C3000	3.5x3.5x2.36	2.65~3.85	700	● Warm White	3000K	243	262	70
ELSWF-J61M1-6FPGS-C2700	3.5x3.5x2.36	2.65~3.85	700	● Warm White	2700K	243	262	70

• Above spec is based on 85°C

High power | Shwo (F)



UNIT : mm

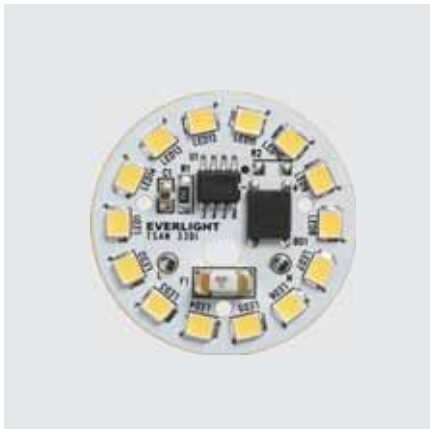


4W / 3V / 1000mA

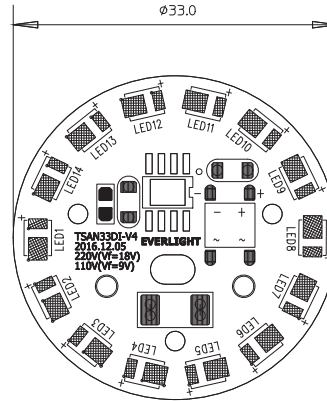
Product	Size (LxWxHmm)	Forward Voltage(V)	Forward Current(mA)	Color	CCT (K)	Luminous Flux (Min.)	Luminous Flux (TYP)	CRI (min.)
ELSWF-JJ1C1-6FPGS-C6500	3.5x3.5x2.36	2.95~4.15	1000	○ Cool White	6500K	378	406	70
ELSWF-JJ1C1-6FPGS-C5700	3.5x3.5x2.36	2.95~4.15	1000	○ Cool White	5700K	378	406	70
ELSWF-JJ1C1-6FPGS-C5000	3.5x3.5x2.36	2.95~4.15	1000	○ Cool White	5000K	378	406	70
ELSWF-J71N1-6FPGS-C4000	3.5x3.5x2.36	2.95~4.15	1000	○ Neutral White	4000K	345	371	70
ELSWF-J61M1-6FPGS-C3500	3.5x3.5x2.36	2.95~4.15	1000	● Warm White	3500K	323	348	70
ELSWF-J61M1-6FPGS-C3000	3.5x3.5x2.36	2.95~4.15	1000	● Warm White	3000K	323	348	70
ELSWF-J61M1-6FPGS-C2700	3.5x3.5x2.36	2.95~4.15	1000	● Warm White	2700K	323	348	70

• Above spec is based on 85°C

Driver on Board | TSAN33DI



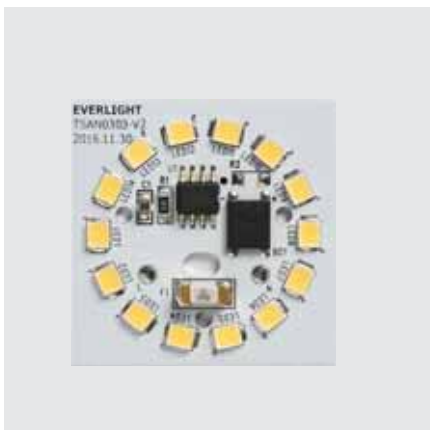
UNIT : mm



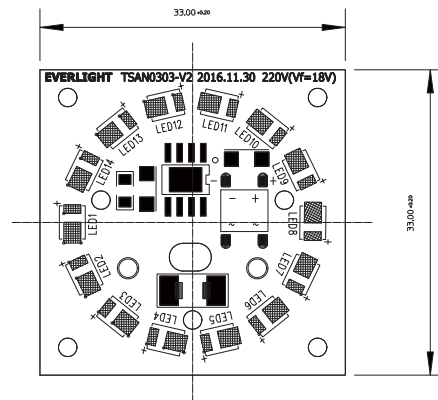
8W

Product	Diameter (mm)	CCT (K)	Flux (lm)	CRI (Ra)	SDCM	Dimming
TSAN33DI-M-K277-EU008-D001T	33x33	2700K	720	Typ. 80	7	Non-dimmable
TSAN33DI-M-K307-EU008-D001T		3000K				
TSAN33DI-M-K407-EU008-D001T		4000K				
TSAN33DI-M-K507-EU008-E001T		5000K	800			
TSAN33DI-M-K577-EU008-E001T		5700K				
TSAN33DI-M-K657-EU008-E001T		6500K				

Driver on Board | TSAN0303



UNIT : mm



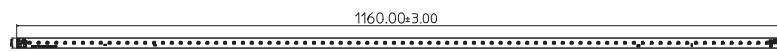
10W

Product	Diameter (mm)	CCT (K)	Flux (lm)	CRI (Ra)	SDCM	Dimming
TSAN0303-M-K277-EU010-D001T	33x33	2700K	900	Typ. 80	7	Non-dimmable
TSAN0303-M-K307-EU010-D001T		3000K				
TSAN0303-M-K407-EU010-D001T		4000K				
TSAN0303-M-K507-EU010-E001T		5000K	1,000			
TSAN0303-M-K577-EU010-E001T		5700K				
TSAN0303-M-K657-EU010-E001T		6500K				

Driver on Board | TSAN4FFA



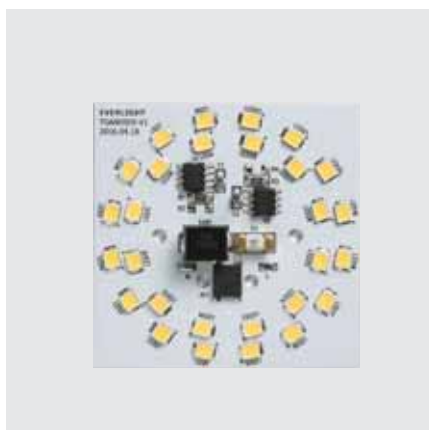
UNIT : mm



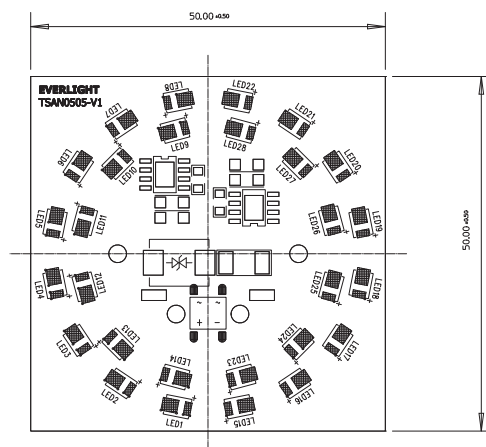
16W

Product	Diameter (mm)	CCT (K)	Flux (lm)	CRI (Ra)	SDCM	Dimming
TSAN4FFA-M-K277-EU016-E001C	1160x15	2700K	1,680	Typ. 80	7	Non-dimmable
TSAN4FFA-M-K307-EU016-E001C		3000K				
TSAN4FFA-M-K407-EU016-E001C		4000K				
TSAN4FFA-M-K507-EU016-F001C		5000K	1,840			
TSAN4FFA-M-K577-EU016-F001C		5700K				
TSAN4FFA-M-K657-EU016-F001C		6500K				

Driver on Board | TSAN0505



UNIT : mm



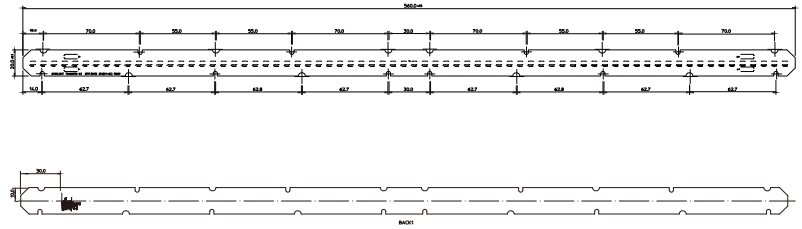
25W

Product	Diameter (mm)	CCT (K)	Flux (lm)	CRI (Ra)	SDCM	Dimming
TSAN0505-M-K277-EU016-D001T	50x50	2700K	2,250	Typ. 80	7	Non-dimmable
TSAN0505-M-K307-EU016-D001T		3000K				
TSAN0505-M-K407-EU016-D001T		4000K				
TSAN0505-M-K507-EU016-E001T		5000K	2,500			
TSAN0505-M-K577-EU016-E001T		5700K				
TSAN0505-M-K657-EU016-E001T		6500K				

Driver on Board | TSAN-5602



UNIT : mm



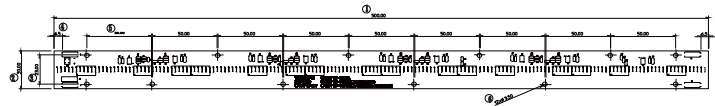
14W

Product	Diameter (mm)	CCT (K)	Flux (lm)	CRI (Ra)	SDCM	Dimming
TSAN-5602-M-K307-DC014-F001T	560x20	3000K	1540	Typ. 80	7	Non-dimmable
TSAN-5602-M-K407-DC014-F001T		4000K	1540			
TSAN-5602-M-K657-DC014-G001T		6500K	1680			

Driver on Board | TSAN5003



UNIT : mm



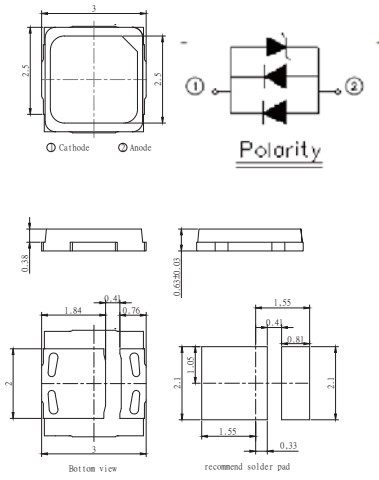
40W / 60W

Product	Diameter (mm)	CCT (K)	Flux (lm)	CRI (Ra)	SDCM	Dimming
TSAN5003-M-K307-US040-F001C	500x30	3000K	4400	Typ. 80	7	Non-dimmable
TSAN5003-M-K307-US060-F001C		3000K	6600			

Low Middle Power LED | XI3030



UNIT : mm



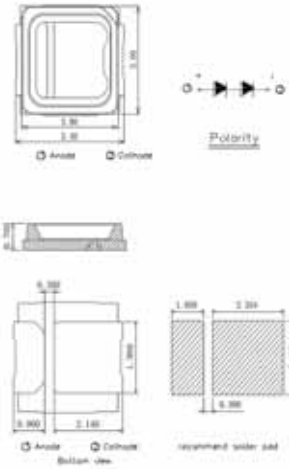
0.2W / 3V / 65mA

Product	Size (LxWxHmm)	Forward Voltage (V)	Forward Current (mA)	Color	CCT (K)	Luminous Flux (Min.)	Luminous Flux (Typ.)	CRI (min.)	Luminous Efficacy (lm/W)
GXI3030P/KK6C-M2727X2X826292U6/2T	3.0x3.0x0.63	2.6~2.9	65	● Warm White	2700K	32	34	80	190
GXI3030P/KK6C-M3030X3X926292U6/2T	3.0x3.0x0.63	2.6~2.9	65	● Warm White	3000K	33	35	80	196
GXI3030P/KK6C-M3535X3X926292U6/2T	3.0x3.0x0.63	2.6~2.9	65	● Warm White	3500K	33	35	80	196
GXI3030P/KK6C-M5050X5Y126292U6/2T	3.0x3.0x0.63	2.6~2.9	65	○ Cool White	5000K	35	37	80	208
GXI3030P/KK6C-M6262X4Y026292U6/2T	3.0x3.0x0.63	2.6~2.9	65	○ Cool White	6200K	34	36	80	202
GXI3030P/KK6C-M6565X4Y026292U6/2T	3.0x3.0x0.63	2.6~2.9	65	○ Cool White	6500K	34	36	80	202

Low Middle Power LED | XI3030



UNIT : mm



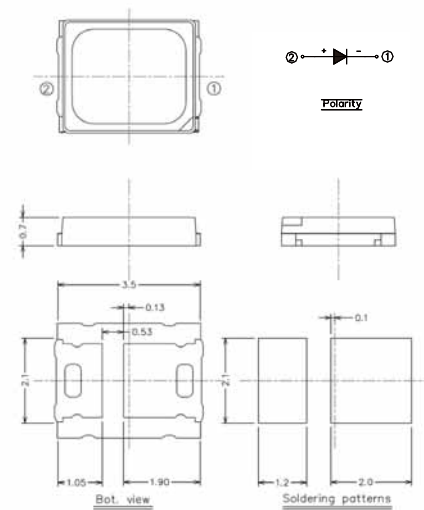
1W / 6V / 150mA

Product	Size (LxWxHmm)	Forward Voltage (V)	Forward Current (mA)	Color	CCT (K)	Luminous Flux (Min.)	Luminous Flux (Typ.)	CRI (min.)	Luminous Efficacy (lm/W)
XI3030P/KK5C-H2712366Z15/2N	3.0x3.0x0.63	5.6~6.6	150	● Warm White	2700K	123	129	80	138
XI3030P/KK5C-H3012866Z15/2N	3.0x3.0x0.63	5.6~6.6	150	● Warm White	3000K	128	134	80	143
XI3030P/KK5C-H4013366Z15/2N	3.0x3.0x0.63	5.6~6.6	150	○ Neutral White	4000K	133	139	80	148
XI3030P/KK5C-H5013366Z15/2N	3.0x3.0x0.63	5.6~6.6	150	○ Cool White	5000K	133	139	80	148
XI3030P/KK5C-H5713366Z15/2N	3.0x3.0x0.63	5.6~6.6	150	○ Cool White	5700K	133	139	80	148
XI3030P/KK5C-H6513366Z15/2N	3.0x3.0x0.63	5.6~6.6	150	○ Cool White	6500K	133	139	80	148
XI3030P/KK6C-H2712866Z15/2N	3.0x3.0x0.63	5.6~6.6	150	● Warm White	2700K	128	134	80	143
XI3030P/KK6C-H3013366Z15/2N	3.0x3.0x0.63	5.6~6.6	150	● Warm White	3000K	133	139	80	148
XI3030P/KK6C-H4013866Z15/2N	3.0x3.0x0.63	5.6~6.6	150	○ Neutral White	4000K	138	145	80	153
XI3030P/KK6C-H5013866Z15/2N	3.0x3.0x0.63	5.6~6.6	150	○ Cool White	5000K	138	145	80	153
XI3030P/KK6C-H5713866Z15/2N	3.0x3.0x0.63	5.6~6.6	150	○ Cool White	5700K	138	145	80	153
XI3030P/KK6C-H6513866Z15/2N	3.0x3.0x0.63	5.6~6.6	150	○ Cool White	6500K	138	145	80	153
XI3030P/KK7C-H2713366Z15/2N	3.0x3.0x0.63	5.6~6.6	150	● Warm White	2700K	133	139	80	148
XI3030P/KK7C-H3013866Z15/2N	3.0x3.0x0.63	5.6~6.6	150	● Warm White	3000K	138	145	80	153
XI3030P/KK7C-H4014366Z15/2N	3.0x3.0x0.63	5.6~6.6	150	○ Neutral White	4000K	143	150	80	158
XI3030P/KK7C-H5014366Z15/2N	3.0x3.0x0.63	5.6~6.6	150	○ Cool White	5000K	143	150	80	158
XI3030P/KK7C-H5714366Z15/2N	3.0x3.0x0.63	5.6~6.6	150	○ Cool White	5700K	143	150	80	158
XI3030P/KK7C-H6514366Z15/2N	3.0x3.0x0.63	5.6~6.6	150	○ Cool White	6500K	143	150	80	158

Low Middle Power LED | 2835 3V



UNIT : mm



0.2W / 3V / 60mA

Product	Size (LxWxHmm)	Forward Voltage (V)	Forward Current (mA)	Color	CCT (K)	Luminous Flux (Min.)	Luminous Flux (Typ.)	CRI (min.)	Luminous Efficacy (lm/W)
67-21S/KK5C-H272333Z6/2T	2.8x3.5x0.7	2.8~3.3	60	● Warm White	2700K	23	25	80	139
67-21S/KK5C-H302433Z6/2T	2.8x3.5x0.7	2.8~3.3	60	● Warm White	3000K	24	26	80	144
67-21S/KK5C-H402633Z6/2T	2.8x3.5x0.7	2.8~3.3	60	○ Neutral White	4000K	26	28	80	156
67-21S/KK5C-H502633Z6/2T	2.8x3.5x0.7	2.8~3.3	60	○ Cool White	5000K	26	28	80	156
67-21S/KK5C-H572633Z6/2T	2.8x3.5x0.7	2.8~3.3	60	○ Cool White	5700K	26	28	80	156
67-21S/KK5C-H602633Z6/2T	2.8x3.5x0.7	2.8~3.3	60	○ Cool White	6000K	26	28	80	156
67-21S/KK5C-H652633Z6/2T	2.8x3.5x0.7	2.8~3.3	60	○ Cool White	6500K	26	28	80	156

0.2W / 3V / 60mA

Product	Size (LxWxHmm)	Forward Voltage (V)	Forward Current (mA)	Color	CCT (K)	Luminous Flux (Min.)	Luminous Flux (Typ.)	CRI (min.)	Luminous Efficacy (lm/W)
67-21S/KKE-N272533Z6/SZM/2T	2.8x3.5x0.7	2.8~3.3	60	● Warm White	2700K	25	27	80	150
67-21S/KKE-N302633Z6/SZM/2T	2.8x3.5x0.7	2.8~3.3	60	● Warm White	3000K	26	28	80	156
67-21S/KKE-N402833Z6/SZM/2T	2.8x3.5x0.7	2.8~3.3	60	○ Neutral White	4000K	28	30	80	167
67-21S/KKE-N502833Z6/SZM/2T	2.8x3.5x0.7	2.8~3.3	60	○ Cool White	5000K	28	30	80	167
67-21S/KKE-N652833Z6/SZM/2T	2.8x3.5x0.7	2.8~3.3	60	○ Cool White	6500K	28	30	80	167

0.2W / 3V / 60mA

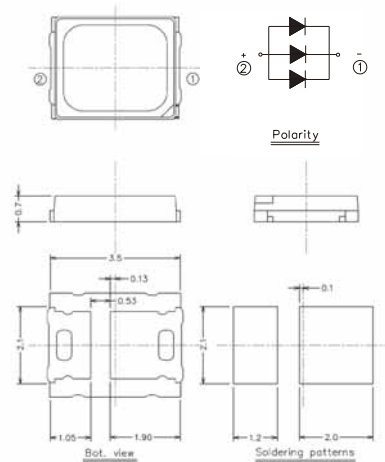
Product	Size (LxWxHmm)	Forward Voltage (V)	Forward Current (mA)	Color	CCT (K)	Luminous Flux (Min.)	Luminous Flux (Typ.)	CRI (min.)	Luminous Efficacy (lm/W)
67-21S/KK6C-H2727N4PA2834Z6/2T(GC)	2.8x3.5x0.7	2.8~3.4	60	● Warm White	2700K	27	29	80	161
67-21S/KK6C-H3030N42PA2834Z6/2T(GC)	2.8x3.5x0.7	2.8~3.4	60	● Warm White	3000K	29	31	80	172
67-21S/KK6C-H3535N4BPA2834Z6/2T(GC)	2.8x3.5x0.7	2.8~3.4	60	● Warm White	3500K	30	32	80	178
67-21S/KK6C-H4040N4BPA2834Z6/2T(GC)	2.8x3.5x0.7	2.8~3.4	60	○ Neutral White	4000K	30	32	80	178
67-21S/KK6C-H5050N43PA2834Z6/2T(GC)	2.8x3.5x0.7	2.8~3.4	60	○ Cool White	5000K	31	33	80	183
67-21S/KK6C-H6565N4BPA2834Z6/2T(GC)	2.8x3.5x0.7	2.8~3.4	60	○ Cool White	6500K	30	32	80	178

Low Middle Power LED

Low Middle Power LED | 2835 3V



UNIT : mm



Low Middle Power LED

0.2W HE / 3V / 60mA

Product	Size (LxWxHmm)	Forward Voltage (V)	Forward Current (mA)	Color	CCT (K)	Luminous Flux (Min.)	Luminous Flux (Typ.)	CRI (min.)	Luminous Efficacy (lm/W)
67-23S/KK7C-H272830Z6/2T	2.8x3.5x0.7	2.6~3.0	60	● Warm White	2700K	28	30	80	184
67-23S/KK7C-H303030Z6/2T	2.8x3.5x0.7	2.6~3.0	60	● Warm White	3000K	30	32	80	196
67-23S/KK7C-H353030Z6/2T	2.8x3.5x0.7	2.6~3.0	60	● Warm White	3500K	30	32	80	196
67-23S/KK7C-H403230Z6/2T	2.8x3.5x0.7	2.6~3.0	60	○ Neutral White	4000K	32	34	80	208
67-23S/KK7C-H503230Z6/2T	2.8x3.5x0.7	2.6~3.0	60	○ Cool White	5000K	32	34	80	208
67-23S/KK7C-H573230Z6/2T	2.8x3.5x0.7	2.6~3.0	60	○ Cool White	5700K	32	34	80	208
67-23S/KK7C-H653230Z6/2T	2.8x3.5x0.7	2.6~3.0	60	○ Cool White	6500K	32	34	80	208

0.2W HE / 3V / 60mA

Product	Size (LxWxHmm)	Forward Voltage (V)	Forward Current (mA)	Color	CCT (K)	Luminous Flux (Min.)	Luminous Flux (Typ.)	CRI (min.)	Luminous Efficacy (lm/W)
67-23S/KK8C-H303030Z6/2T	2.8x3.5x0.7	2.6~3.0	60	● Warm White	3000K	30	32	80	196
67-23S/KK8C-H353030Z6/2T	2.8x3.5x0.7	2.6~3.0	60	● Warm White	3500K	30	32	80	196
67-23S/KK8C-H403330Z6/2T	2.8x3.5x0.7	2.6~3.0	60	○ Neutral White	4000K	33	35	80	214
67-23S/KK8C-H423330Z6/2T	2.8x3.5x0.7	2.6~3.0	60	○ Neutral White	4200K	33	35	80	214
67-23S/KK8C-H503330Z6/2T	2.8x3.5x0.7	2.6~3.0	60	○ Cool White	5000K	33	35	80	214
67-23S/KK8C-H653330Z6/2T	2.8x3.5x0.7	2.6~3.0	60	○ Cool White	6500K	33	35	80	214

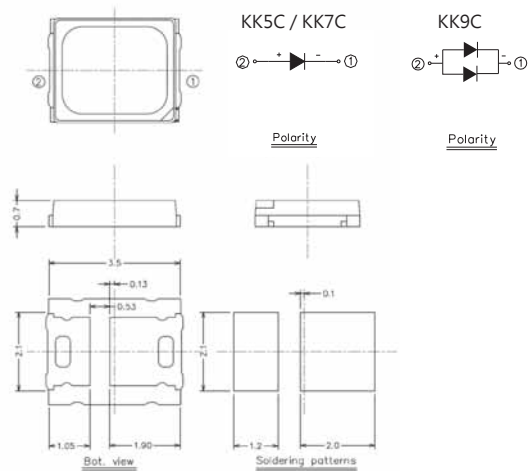
0.2W HE / 3V / 60mA

Product	Size (LxWxHmm)	Forward Voltage (V)	Forward Current (mA)	Color	CCT (K)	Luminous Flux (Min.)	Luminous Flux (Typ.)	CRI (min.)	Luminous Efficacy (lm/W)
67-23S/KK9C-H403430Z6/2T	2.8x3.5x0.7	2.6~3.0	60	○ Neutral White	4000K	34	36	80	221
67-23S/KK9C-H503430Z6/2T	2.8x3.5x0.7	2.6~3.0	60	○ Cool White	5000K	34	36	80	221
67-23S/KK9C-H573430Z6/2T	2.8x3.5x0.7	2.6~3.0	60	○ Cool White	5700K	34	36	80	221
67-23S/KK9C-H653430Z6/2T	2.8x3.5x0.7	2.6~3.0	60	○ Cool White	6500K	34	36	80	221

Low Middle Power LED | 2835 3V



UNIT : mm



0.5W / 3V / 150mA

Product	Size (LxWxHmm)	Forward Voltage (V)	Forward Current (mA)	Color	CCT (K)	Luminous Flux (Min.)	Luminous Flux (Typ.)	CRI (min.)	Luminous Efficacy (lm/W)
67-21S/KK5C-H275534Z15/2T	2.8x3.5x0.7	2.8~3.4	150	● Warm White	2700K	55	59	80	127
67-21S/KK5C-H306034Z15/2T	2.8x3.5x0.7	2.8~3.4	150	● Warm White	3000K	60	64	80	138
67-21S/KK5C-H406534Z15/2T	2.8x3.5x0.7	2.8~3.4	150	○ Neutral White	4000K	65	69	80	148
67-21S/KK5C-H506534Z15/2T	2.8x3.5x0.7	2.8~3.4	150	○ Cool White	5000K	65	69	80	148
67-21S/KK5C-H576534Z15/2T	2.8x3.5x0.7	2.8~3.4	150	○ Cool White	5700K	65	69	80	148
67-21S/KK5C-H656534Z15/2T	2.8x3.5x0.7	2.8~3.4	150	○ Cool White	6500K	65	69	80	148

0.5W / 3V / 150mA

Product	Size (LxWxHmm)	Forward Voltage (V)	Forward Current (mA)	Color	CCT (K)	Luminous Flux (Min.)	Luminous Flux (Typ.)	CRI (min.)	Luminous Efficacy (lm/W)
67-21S/KK7C-H276034Z15/DT(GC)	2.8x3.5x0.7	2.8~3.4	150	● Warm White	2700K	60	64	80	138
67-21S/KK7C-H306534Z15/DT(GC)	2.8x3.5x0.7	2.8~3.4	150	● Warm White	3000K	65	69	80	148
67-21S/KK7C-H356534Z15/DT(GC)	2.8x3.5x0.7	2.8~3.4	150	● Warm White	3500K	65	69	80	148
67-21S/KK7C-H407034Z15/DT(GC)	2.8x3.5x0.7	2.8~3.4	150	○ Neutral White	4000K	70	74	80	159
67-21S/KK7C-H507034Z15/DT(GC)	2.8x3.5x0.7	2.8~3.4	150	○ Cool White	5000K	70	74	80	159
67-21S/KK7C-H577034Z15/DT(GC)	2.8x3.5x0.7	2.8~3.4	150	○ Cool White	5700K	70	74	80	159
67-21S/KK7C-H607034Z15/DT(GC)	2.8x3.5x0.7	2.8~3.4	150	○ Cool White	6000K	70	74	80	159
67-21S/KK7C-H657034Z15/DT(GC)	2.8x3.5x0.7	2.8~3.4	150	○ Cool White	6500K	70	74	80	159

0.5W / 3V / 150mA

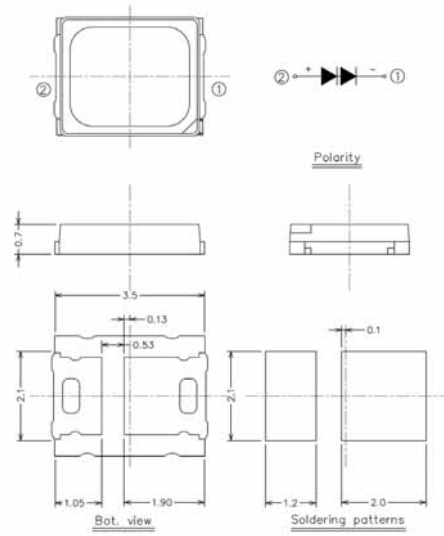
Product	Size (LxWxHmm)	Forward Voltage (V)	Forward Current (mA)	Color	CCT (K)	Luminous Flux (Min.)	Luminous Flux (Typ.)	CRI (min.)	Luminous Efficacy (lm/W)
67-22S/KK9C-H407532Z15/2T(GC)	2.8x3.5x0.7	2.8~3.2	150	○ Neutral White	4000K	75	79	80	192
67-22S/KK9C-H507532Z15/2T(GC)	2.8x3.5x0.7	2.8~3.2	150	○ Cool White	5000K	75	79	80	192
67-22S/KK9C-H577532Z15/2T(GC)	2.8x3.5x0.7	2.8~3.2	150	○ Cool White	5700K	75	79	80	192
67-22S/KK9C-H657532Z15/2T(GC)	2.8x3.5x0.7	2.8~3.2	150	○ Cool White	6500K	75	79	80	192

Low Middle Power LED

Low Middle Power LED | 2835 6V



UNIT : mm



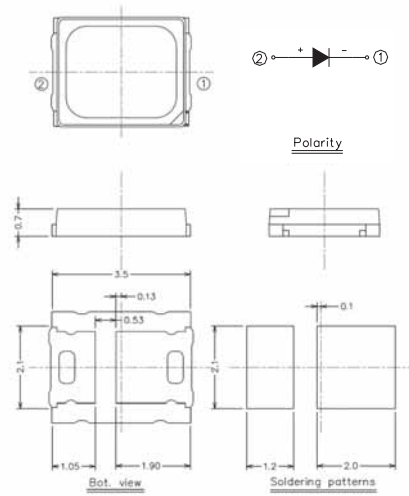
1W / 6V / 150mA

Product	Size (LxWxHmm)	Forward Voltage (V)	Forward Current (mA)	Color	CCT (K)	Luminous Flux (Min.)	Luminous Flux (Typ.)	CRI (min.)	Luminous Efficacy (lm/W)
67-22ST/KKE-N2710368Z15/SZM/2T	2.8x3.5x0.7	6.0~6.8	150	● Warm White	2700K	103	109	80	114
67-22ST/KKE-N3010768Z15/SZM/2T	2.8x3.5x0.7	6.0~6.8	150	● Warm White	3000K	107	113	80	118
67-22ST/KKE-N4011568Z15/SZM/2T	2.8x3.5x0.7	6.0~6.8	150	○ Neutral White	4000K	115	121	80	126
67-22ST/KKE-N5011568Z15/SZM/2T	2.8x3.5x0.7	6.0~6.8	150	○ Cool White	5000K	115	121	80	126
67-22ST/KKE-N6511568Z15/SZM/2T	2.8x3.5x0.7	6.0~6.8	150	○ Cool White	6500K	115	121	80	126

Low Middle Power LED | 2835 9V



UNIT : mm



0.5W / 9V / 60mA

Product	Size (LxWxHmm)	Forward Voltage (V)	Forward Current (mA)	Color	CCT (K)	Luminous Flux (Min.)	Luminous Flux (Typ.)	CRI (min.)	Luminous Efficacy (lm/W)
67-21S/KK4C-H276096Z6/2T	2.8x3.5x0.7	8.7~9.6	60	● Warm White	2700K	60	64	80	115
67-21S/KK4C-H306596Z6/2T	2.8x3.5x0.7	8.7~9.6	60	● Warm White	3000K	65	69	80	124
67-21S/KK4C-H406896Z6/2T	2.8x3.5x0.7	8.7~9.6	60	○ Neutral White	4000K	68	72	80	129
67-21S/KK4C-H507096Z6/2T	2.8x3.5x0.7	8.7~9.6	60	○ Cool White	5000K	70	74	80	133
67-21S/KK4C-H657096Z6/2T	2.8x3.5x0.7	8.7~9.6	60	○ Cool White	6500K	70	74	80	133

0.5W / 9V / 60mA

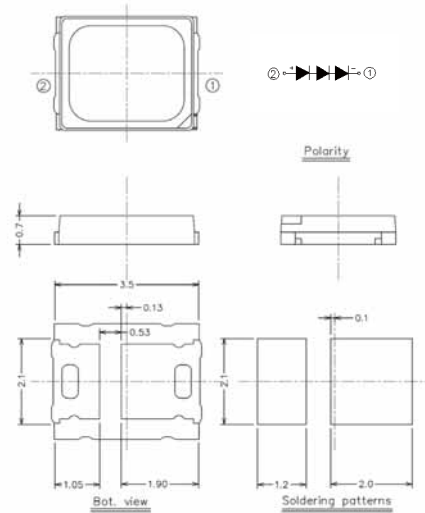
Product	Size (LxWxHmm)	Forward Voltage (V)	Forward Current (mA)	Color	CCT (K)	Luminous Flux (Min.)	Luminous Flux (Typ.)	CRI (min.)	Luminous Efficacy (lm/W)
67-21ST/KK6C-H277096Z6/2T	2.8x3.5x0.7	8.7~9.6	60	● Warm White	2700K	70	74	80	133
67-21ST/KK6C-H307396Z6/2T	2.8x3.5x0.7	8.7~9.6	60	● Warm White	3000K	73	77	80	138
67-21ST/KK6C-H407696Z6/2T	2.8x3.5x0.7	8.7~9.6	60	○ Neutral White	4000K	76	80	80	143
67-21ST/KK6C-H507696Z6/2T	2.8x3.5x0.7	8.7~9.6	60	○ Cool White	5000K	76	80	80	143

Low Middle Power LED

Low Middle Power LED | 2835 9V



UNIT : mm



1W / 9V / 100mA

Product	Size (LxWxHmm)	Forward Voltage (V)	Forward Current (mA)	Color	CCT (K)	Luminous Flux (Min.)	Luminous Flux (Typ.)	CRI (min.)	Luminous Efficacy (lm/W)
67-23ST/KKE-N2711096Z10/SZM/2T	2.8x3.5x0.7	8.7~9.6	100	● Warm White	2700K	110	116	80	125
67-23ST/KKE-N3011796Z10/SZM/2T	2.8x3.5x0.7	8.7~9.6	100	● Warm White	3000K	117	123	80	132
67-23ST/KKE-N4012396Z10/SZM/2T	2.8x3.5x0.7	8.7~9.6	100	○ Neutral White	4000K	123	129	80	139
67-23ST/KKE-N5012396Z10/SZM/2T	2.8x3.5x0.7	8.7~9.6	100	○ Cool White	5000K	123	129	80	139
67-23ST/KKE-N6512396Z10/SZM/2T	2.8x3.5x0.7	8.7~9.6	100	○ Cool White	6500K	123	129	80	139

1W / 9V / 100mA

Product	Size (LxWxHmm)	Forward Voltage (V)	Forward Current (mA)	Color	CCT (K)	Luminous Flux (Min.)	Luminous Flux (Typ.)	CRI (min.)	Luminous Efficacy (lm/W)
67-23ST/KKE-N2711596Z10/SZM/2T	2.8x3.5x0.7	8.7~9.6	100	● Warm White	2700K	115	121	80	130
67-23ST/KKE-N3012296Z10/SZM/2T	2.8x3.5x0.7	8.7~9.6	100	● Warm White	3000K	122	128	80	138
67-23ST/KKE-N4012896Z10/SZM/2T	2.8x3.5x0.7	8.7~9.6	100	○ Neutral White	4000K	128	134	80	144
67-23ST/KKE-N5012896Z10/SZM/2T	2.8x3.5x0.7	8.7~9.6	100	○ Cool White	5000K	128	134	80	144
67-23ST/KKE-N6512896Z10/SZM/2T	2.8x3.5x0.7	8.7~9.6	100	○ Cool White	6500K	128	134	80	144

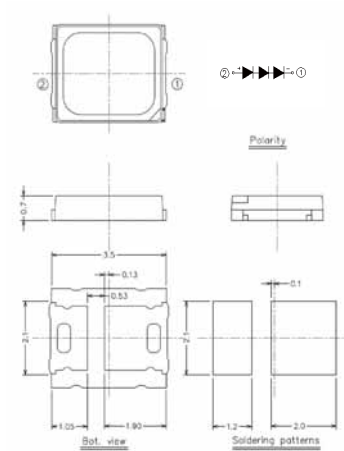
1W / 9V / 100mA

Product	Size (LxWxHmm)	Forward Voltage (V)	Forward Current (mA)	Color	CCT (K)	Luminous Flux (Min.)	Luminous Flux (Typ.)	CRI (min.)	Luminous Efficacy (lm/W)
67-23ST/KKE-N2712096Z10/SZM/2T	2.8x3.5x0.7	8.7~9.6	100	● Warm White	2700K	120	126	80	135
67-23ST/KKE-N3012796Z10/SZM/2T	2.8x3.5x0.7	8.7~9.6	100	● Warm White	3000K	127	133	80	143
67-23ST/KKE-N4013396Z10/SZM/2T	2.8x3.5x0.7	8.7~9.6	100	○ Neutral White	4000K	133	139	80	149
67-23ST/KKE-N5013396Z10/SZM/2T	2.8x3.5x0.7	8.7~9.6	100	○ Cool White	5000K	133	139	80	149
67-23ST/KKE-N6513396Z10/SZM/2T	2.8x3.5x0.7	8.7~9.6	100	○ Cool White	6500K	133	139	80	149

Low Middle Power LED | 2835 9V



UNIT : mm



1W / 9V / 100mA

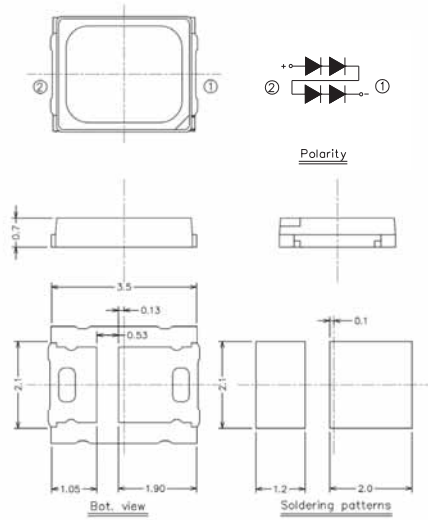
Product	Size (LxWxHmm)	Forward Voltage (V)	Forward Current (mA)	Color	CCT (K)	Luminous Flux (Min.)	Luminous Flux (Typ.)	CRI (min.)	Luminous Efficacy (lm/W)
67-23ST/KKE-N2712596Z10/SZM/2T	2.8x3.5x0.7	8.7~9.6	100	● Warm White	2700K	125	131	80	141
67-23ST/KKE-N3013296Z10/SZM/2T	2.8x3.5x0.7	8.7~9.6	100	● Warm White	3000K	132	138	80	148
67-23ST/KKE-N4013896Z10/SZM/2T	2.8x3.5x0.7	8.7~9.6	100	○ Neutral White	4000K	138	144	80	155
67-23ST/KKE-N5013896Z10/SZM/2T	2.8x3.5x0.7	8.7~9.6	100	○ Cool White	5000K	138	144	80	155
67-23ST/KKE-N6513896Z10/SZM/2T	2.8x3.5x0.7	8.7~9.6	100	○ Cool White	6500K	138	144	80	155

Low Middle Power LED

Low Middle Power LED | 2835 12V



UNIT : mm



Low Middle Power LED

1W / 12V / 80mA

Product	Size (LxWxHmm)	Forward Voltage (V)	Forward Current (mA)	Color	CCT (K)	Luminous Flux (Min.)	Luminous Flux (Typ.)	CRI (min.)	Luminous Efficacy (lm/W)
67-24ST/KKE-H27115130Z8/2T	2.8x3.5x0.7	11.0~13.0	80	● Warm White	2700K	115	121	80	126
67-24ST/KKE-H30120130Z8/2T	2.8x3.5x0.7	11.0~13.0	80	● Warm White	3000K	120	126	80	131
67-24ST/KKE-H35120130Z8/2T	2.8x3.5x0.7	11.0~13.0	80	● Warm White	3500K	120	126	80	131
67-24ST/KKE-H40120130Z8/2T	2.8x3.5x0.7	11.0~13.0	80	○ Neutral White	4000K	120	126	80	131
67-24ST/KKE-H50125130Z8/2T	2.8x3.5x0.7	11.0~13.0	80	○ Cool White	5000K	125	131	80	136
67-24ST/KKE-H57125130Z8/2T	2.8x3.5x0.7	11.0~13.0	80	○ Cool White	5700K	125	131	80	136
67-24ST/KKE-H65125130Z8/2T	2.8x3.5x0.7	11.0~13.0	80	○ Cool White	6500K	125	131	80	136

1W / 12V / 80mA

Product	Size (LxWxHmm)	Forward Voltage (V)	Forward Current (mA)	Color	CCT (K)	Luminous Flux (Min.)	Luminous Flux (Typ.)	CRI (min.)	Luminous Efficacy (lm/W)
67-24ST/KKE-H27120130Z8/2T	2.8x3.5x0.7	11.0~13.0	80	● Warm White	2700K	120	126	80	131
67-24ST/KKE-H30125130Z8/2T	2.8x3.5x0.7	11.0~13.0	80	● Warm White	3000K	125	131	80	136
67-24ST/KKE-H35125130Z8/2T	2.8x3.5x0.7	11.0~13.0	80	● Warm White	3500K	125	131	80	136
67-24ST/KKE-H40125130Z8/2T	2.8x3.5x0.7	11.0~13.0	80	○ Neutral White	4000K	125	131	80	136
67-24ST/KKE-H50130130Z8/2T	2.8x3.5x0.7	11.0~13.0	80	○ Cool White	5000K	130	136	80	142
67-24ST/KKE-H57130130Z8/2T	2.8x3.5x0.7	11.0~13.0	80	○ Cool White	5700K	130	136	80	142
67-24ST/KKE-H65130130Z8/2T	2.8x3.5x0.7	11.0~13.0	80	○ Cool White	6500K	130	136	80	142

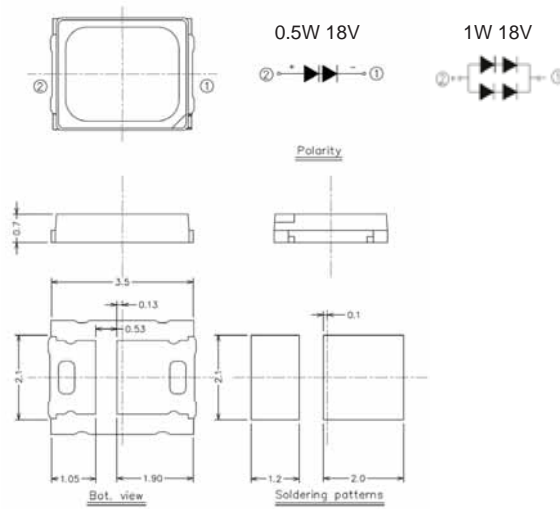
1W / 12V / 80mA

Product	Size (LxWxHmm)	Forward Voltage (V)	Forward Current (mA)	Color	CCT (K)	Luminous Flux (Min.)	Luminous Flux (Typ.)	CRI (min.)	Luminous Efficacy (lm/W)
67-24ST/KKE-N27125130Z8/SZM/2T	2.8x3.5x0.7	11.0~13.0	80	● Warm White	2700K	125	131	80	136
67-24ST/KKE-N30130130Z8/SZM/2T	2.8x3.5x0.7	11.0~13.0	80	● Warm White	3000K	130	136	80	142
67-24ST/KKE-N35130130Z8/SZM/2T	2.8x3.5x0.7	11.0~13.0	80	● Warm White	3500K	130	136	80	142
67-24ST/KKE-N40135130Z8/SZM/2T	2.8x3.5x0.7	11.0~13.0	80	○ Neutral White	4000K	135	141	80	147
67-24ST/KKE-N50135130Z8/SZM/2T	2.8x3.5x0.7	11.0~13.0	80	○ Cool White	5000K	135	141	80	147
67-24ST/KKE-N65135130Z8/SZM/2T	2.8x3.5x0.7	11.0~13.0	80	○ Cool White	6500K	135	141	80	147

Low Middle Power LED | 2835 18V



UNIT : mm



0.5W / 18V / 30mA

Product	Size (LxWxHmm)	Forward Voltage (V)	Forward Current (mA)	Color	CCT (K)	Luminous Flux (Min.)	Luminous Flux (Typ.)	CRI (min.)	Luminous Efficacy (lm/W)
67-22ST/KKE-N2765200Z3/SZM/2T	2.8x3.5x0.7	17.0~19.0	30	● Warm White	2700K	65	71	80	128
67-22ST/KKE-N3065200Z3/SZM/2T	2.8x3.5x0.7	17.0~19.0	30	● Warm White	3000K	65	71	80	128
67-22ST/KKE-N4070200Z3/SZM/2T	2.8x3.5x0.7	17.0~19.0	30	○ Neutral White	4000K	70	76	80	137
67-22ST/KKE-N5070200Z3/SZM/2T	2.8x3.5x0.7	17.0~19.0	30	○ Cool White	5000K	70	76	80	137
67-22ST/KKE-N6570200Z3/SZM/2T	2.8x3.5x0.7	17.0~19.0	30	○ Cool White	6500K	70	76	80	137

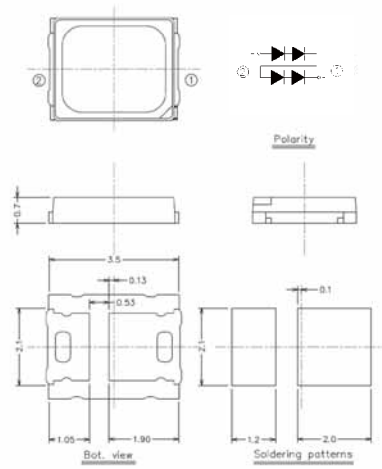
1W / 18V / 50mA

Product	Size (LxWxHmm)	Forward Voltage (V)	Forward Current (mA)	Color	CCT (K)	Luminous Flux (Min.)	Luminous Flux (Typ.)	CRI (min.)	Luminous Efficacy (lm/W)
67-24ST/KKE-N27125190Z5/SZM/2T	2.8x3.5x0.7	17.0~19.0	50	● Warm White	2700K	125	131	80	150
67-24ST/KKE-N30130190Z5/SZM/2T	2.8x3.5x0.7	17.0~19.0	50	● Warm White	3000K	130	136	80	155
67-24ST/KKE-N35130190Z5/SZM/2T	2.8x3.5x0.7	17.0~19.0	50	● Warm White	3500K	130	136	80	155
67-24ST/KKE-N40135190Z5/SZM/2T	2.8x3.5x0.7	17.0~19.0	50	○ Neutral White	4000K	135	141	80	161
67-24ST/KKE-N50135190Z5/SZM/2T	2.8x3.5x0.7	17.0~19.0	50	○ Cool White	5000K	135	141	80	161
67-24ST/KKE-N65135190Z5/SZM/2T	2.8x3.5x0.7	17.0~19.0	50	○ Cool White	6500K	135	141	80	161

Low Middle Power LED | 2835 36V



UNIT : mm



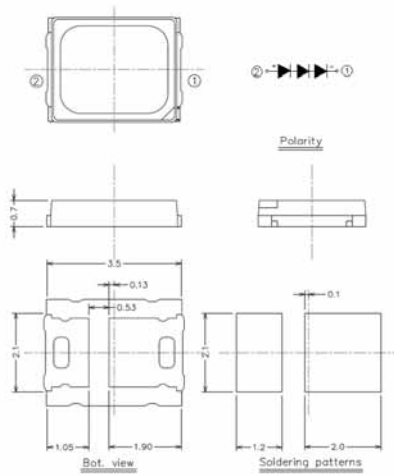
1W / 36V / 25mA

Product	Size (LxWxHmm)	Forward Voltage (V)	Forward Current (mA)	Color	CCT (K)	Luminous Flux (Min.)	Luminous Flux (Typ.)	CRI (min.)	Luminous Efficacy (lm/W)
67-24ST/KKE-N27120380U2/SZM/2T	2.8x3.5x0.7	34.0~38.0	25	● Warm White	2700K	120	126	80	146
67-24ST/KKE-N30125380U2/SZM/2T	2.8x3.5x0.7	34.0~38.0	25	● Warm White	3000K	125	131	80	152
67-24ST/KKE-N40130380U2/SZM/2T	2.8x3.5x0.7	34.0~38.0	25	○ Neutral White	4000K	130	136	80	158
67-24ST/KKE-N50130380U2/SZM/2T	2.8x3.5x0.7	34.0~38.0	25	○ Cool White	5000K	130	136	80	158
67-24ST/KKE-N65130380U2/SZM/2T	2.8x3.5x0.7	34.0~38.0	25	○ Cool White	6500K	130	136	80	158

Low Middle Power LED | 2835 54V



UNIT : mm



1W / 54V / 20mA

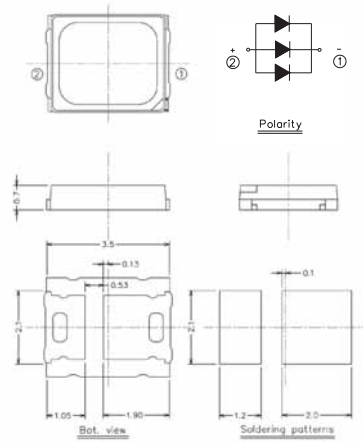
Product	Size (LxWxHmm)	Forward Voltage (V)	Forward Current (mA)	Color	CCT (K)	Luminous Flux (Min.)	Luminous Flux (Typ.)	CRI (min.)	Luminous Efficacy (lm/W)
67-23ST/KKE-N27120550Z2/SZM/2T	2.8x3.5x0.7	50.0-55.0	20	● Warm White	2700K	120	126	80	117
67-23ST/KKE-N30125550Z2/SZM/2T	2.8x3.5x0.7	50.0-55.0	20	● Warm White	3000K	125	131	80	121
67-23ST/KKE-N40130550Z2/SZM/2T	2.8x3.5x0.7	50.0-55.0	20	○ Neutral White	4000K	130	136	80	126
67-23ST/KKE-N50130550Z2/SZM/2T	2.8x3.5x0.7	50.0-55.0	20	○ Cool White	5000K	130	136	80	126
67-23ST/KKE-N65130550Z2/SZM/2T	2.8x3.5x0.7	50.0-55.0	20	○ Cool White	6500K	130	136	80	126

Low Middle Power LED

Low Middle Power LED | 2835 High CRI



UNIT : mm



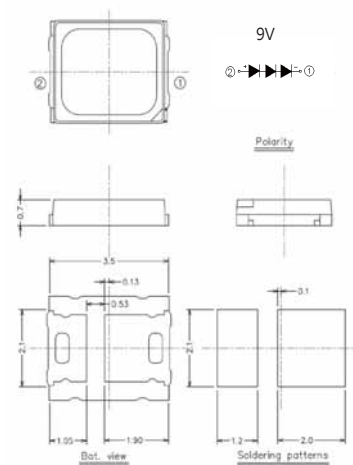
0.2W / CRI 90 R9>50 / 3V / 60mA

Product	Size (LxWxHmm)	Forward Voltage (V)	Forward Current (mA)	Color	CCT (K)	Luminous Flux (Min.)	Luminous Flux (Typ.)	CRI (min.)	Luminous Efficacy (lm/W)
67-23S/RK8C-H272430Z6/2T	2.8x3.5x0.7	2.6~3.0	60	● Warm White	2700K	24	26	90	155
67-23S/RK8C-H302530Z6/2T	2.8x3.5x0.7	2.6~3.0	60	● Warm White	3000K	25	27	90	161
67-23S/RK8C-H352530Z6/2T	2.8x3.5x0.7	2.6~3.0	60	● Warm White	3500K	25	27	90	161
67-23S/RK8C-H402730Z6/2T	2.8x3.5x0.7	2.6~3.0	60	○ Neutral White	4000K	27	29	90	173
67-23S/RK8C-H502730Z6/2T	2.8x3.5x0.7	2.6~3.0	60	○ Cool White	5000K	27	29	90	173
67-23S/RK8C-H572730Z6/2T	2.8x3.5x0.7	2.6~3.0	60	○ Cool White	5700K	27	29	90	173
67-23S/RK8C-H652730Z6/2T	2.8x3.5x0.7	2.6~3.0	60	○ Cool White	6500K	27	29	90	173

Low Middle Power LED | 2835 High CRI



UNIT : mm



1W / CRI 90 R9>50 / 9V / 100mA

Product	Size (LxWxHmm)	Forward Voltage (V)	Color	CCT(K)	Luminous Flux		CRI (min.)	Luminous Efficacy
					Min.	TYP		
					lm	lm	Ra	lm/W
67-23ST/RKE-N279596Z10/SZM/2T	2.8x3.5x0.7	8.7~9.6	● Warm White	2700K	95	101	90	109
67-23ST/RKE-N3010096Z10/SZM/2T	2.8x3.5x0.7	8.7~9.6	● Warm White	3000K	100	106	90	114
67-23ST/RKE-N4010596Z10/SZM/2T	2.8x3.5x0.7	8.7~9.6	○ Neutral White	4000K	105	111	90	119
67-23ST/RKE-N5010596Z10/SZM/2T	2.8x3.5x0.7	8.7~9.6	○ Cool White	5000K	105	111	90	119
67-23ST/RKE-N6510596Z10/SZM/2T	2.8x3.5x0.7	8.7~9.6	○ Cool White	6500K	105	111	90	119

1W / CRI 90 R9>50 / 9V / 100mA

Product	Size (LxWxHmm)	Forward Voltage (V)	Color	CCT(K)	Luminous Flux		CRI (min.)	Luminous Efficacy
					Min.	TYP		
					lm	lm	Ra	lm/W
67-23ST/RKE-N2710096Z10/SZM/2T	2.8x3.5x0.7	8.7~9.6	● Warm White	2700K	100	106	90	114
67-23ST/RKE-N3010596Z10/SZM/2T	2.8x3.5x0.7	8.7~9.6	● Warm White	3000K	105	111	90	119
67-23ST/RKE-N4011096Z10/SZM/2T	2.8x3.5x0.7	8.7~9.6	○ Neutral White	4000K	110	116	90	125
67-23ST/RKE-N5011096Z10/SZM/2T	2.8x3.5x0.7	8.7~9.6	○ Cool White	5000K	110	116	90	125
67-23ST/RKE-N6511096Z10/SZM/2T	2.8x3.5x0.7	8.7~9.6	○ Cool White	6500K	110	116	90	125

1W / CRI 90 R9>50 / 9V / 100mA

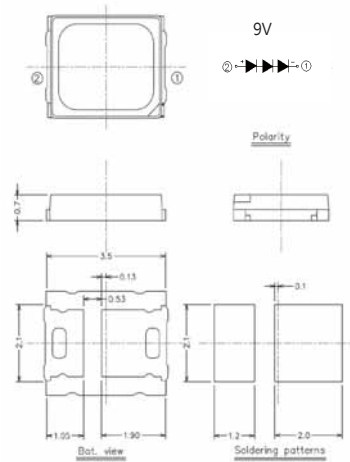
Product	Size (LxWxHmm)	Forward Voltage (V)	Color	CCT(K)	Luminous Flux		CRI (min.)	Luminous Efficacy
					Min.	TYP		
					lm	lm	Ra	lm/W
67-23ST/RKE-N2710596Z10/SZM/2T	2.8x3.5x0.7	8.7~9.6	● Warm White	2700K	105	111	90	119
67-23ST/RKE-N3011096Z10/SZM/2T	2.8x3.5x0.7	8.7~9.6	● Warm White	3000K	110	116	90	125
67-23ST/RKE-N4011596Z10/SZM/2T	2.8x3.5x0.7	8.7~9.6	○ Neutral White	4000K	115	121	90	130
67-23ST/RKE-N5011596Z10/SZM/2T	2.8x3.5x0.7	8.7~9.6	○ Cool White	5000K	115	121	90	130
67-23ST/RKE-N6511596Z10/SZM/2T	2.8x3.5x0.7	8.7~9.6	○ Cool White	6500K	115	121	90	130

Low Middle Power LED

Low Middle Power LED | 2835 High CRI



UNIT : mm



1W / CRI 90 R9>50 / 9V / 100mA

Product	Size (LxWxHmm)	Forward Voltage (V)	Color	CCT(K)	Luminous Flux		CRI (min.)	Luminous Efficacy
					Min.	TYP		
					lm	lm	Ra	lm/W
67-23ST/RKE-N2711096Z10/SZM/2T	2.8x3.5x0.7	8.7~9.6	● Warm White	2700K	110	116	90	125
67-23ST/RKE-N3011596Z10/SZM/2T	2.8x3.5x0.7	8.7~9.6	● Warm White	3000K	115	121	90	130
67-23ST/RKE-N4012096Z10/SZM/2T	2.8x3.5x0.7	8.7~9.6	○ Neutral White	4000K	120	126	90	135
67-23ST/RKE-N5012096Z10/SZM/2T	2.8x3.5x0.7	8.7~9.6	○ Cool White	5000K	120	126	90	135
67-23ST/RKE-N6512096Z10/SZM/2T	2.8x3.5x0.7	8.7~9.6	○ Cool White	6500K	120	126	90	135

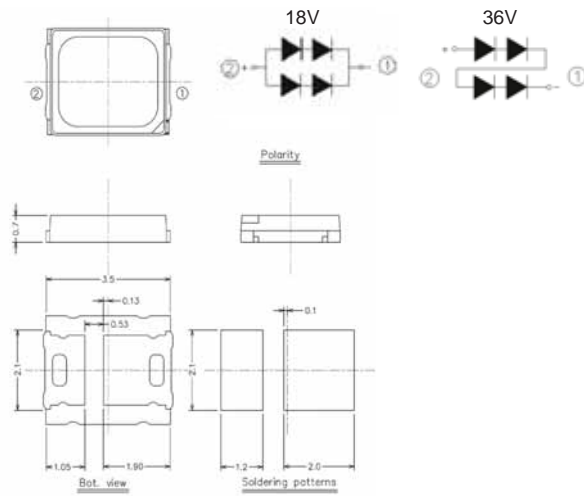
1W / CRI 90 R9>50 / 9V / 100mA

Product	Size (LxWxHmm)	Forward Voltage (V)	Color	CCT(K)	Luminous Flux		CRI (min.)	Luminous Efficacy
					Min.	TYP		
					lm	lm	Ra	lm/W
67-23ST/RKE-N27115596Z10/SZM/2T	2.8x3.5x0.7	8.7~9.6	● Warm White	2700K	115	121	90	130
67-23ST/RKE-N3012096Z10/SZM/2T	2.8x3.5x0.7	8.7~9.6	● Warm White	3000K	120	126	90	135
67-23ST/RKE-N4012596Z10/SZM/2T	2.8x3.5x0.7	8.7~9.6	○ Neutral White	4000K	125	131	90	141
67-23ST/RKE-N5012596Z10/SZM/2T	2.8x3.5x0.7	8.7~9.6	○ Cool White	5000K	125	131	90	141
67-23ST/RKE-N6512596Z10/SZM/2T	2.8x3.5x0.7	8.7~9.6	○ Cool White	6500K	125	131	90	141

Low Middle Power LED | 2835 High CRI



UNIT : mm



1W / CRI 90 R9>50 / 18V / 50mA

Product	Size (LxWxHmm)	Forward Voltage (V)	Forward Current (mA)	Color	CCT (K)	Luminous Flux (Min.)	Luminous Flux (Typ.)	CRI (min.)	Luminous Efficacy (lm/W)
67-24ST/RKE-N27108190Z5/SZM/2T	2.8x3.5x0.7	17.0~19.0	50	● Warm White	2700K	108	114	90	130
67-24ST/RKE-N30110190Z5/SZM/2T	2.8x3.5x0.7	17.0~19.0	50	● Warm White	3000K	110	116	90	133
67-24ST/RKE-N40115190Z5/SZM/2T	2.8x3.5x0.7	17.0~19.0	50	○ Neutral White	4000K	115	121	90	138
67-24ST/RKE-N50115190Z5/SZM/2T	2.8x3.5x0.7	17.0~19.0	50	○ Cool White	5000K	115	121	90	138
67-24ST/RKE-N65115190Z5/SZM/2T	2.8x3.5x0.7	17.0~19.0	50	○ Cool White	6500K	115	121	90	138

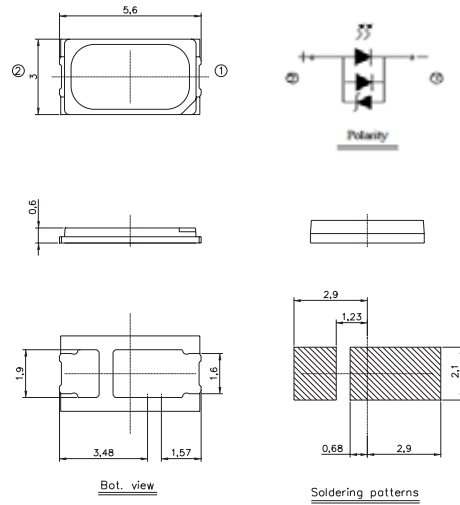
1W / CRI 90 R9>50 / 36V / 25mA

Product	Size (LxWxHmm)	Forward Voltage (V)	Forward Current (mA)	Color	CCT (K)	Luminous Flux (Min.)	Luminous Flux (Typ.)	CRI (min.)	Luminous Efficacy (lm/W)
67-24ST/RKE-N2798380U2/SZM/2T	2.8x3.5x0.7	34.0~38.0	25	● Warm White	2700K	98	104	90	121
67-24ST/RKE-N30103380U2/SZM/2T	2.8x3.5x0.7	34.0~38.0	25	● Warm White	3000K	103	109	90	126
67-24ST/RKE-N40108380U2/SZM/2T	2.8x3.5x0.7	34.0~38.0	25	○ Neutral White	4000K	108	114	90	132
67-24ST/RKE-N50108380U2/SZM/2T	2.8x3.5x0.7	34.0~38.0	25	○ Cool White	5000K	108	114	90	132
67-24ST/RKE-N65108380U2/SZM/2T	2.8x3.5x0.7	34.0~38.0	25	○ Cool White	6500K	108	114	90	132

Low Middle Power LED | 5630 3V



UNIT : mm



0.2W / 3V / 65mA

Product	Size (LxWxHmm)	Forward Voltage (V)	Forward Current (mA)	Color	CCT (K)	Luminous Flux (Min.)	Luminous Flux (Typ.)	CRI (min.)	Luminous Efficacy (lm/W)
G62-127ET/KK8D-M2727X3X92530U6/2T	5.6x3.0x0.6	2.5 - 3.0	65	● Warm White	2700K	33	35	80	196
G62-127ET/KK8D-M3030X4Y02530U6/2T	5.6x3.0x0.6	2.5 - 3.0	65	● Warm White	3000K	34	36	80	202
G62-127ET/KK8D-M3535X4Y02530U6/2T	5.6x3.0x0.6	2.5 - 3.0	65	● Warm White	3500K	34	36	80	202
G62-127ET/KK8D-M4040X6Y22530U6/2T	5.6x3.0x0.6	2.5 - 3.0	65	○ Neutral White	4000K	36	39	80	218
G62-127ET/KK8D-M5050X6Y22530U6/2T	5.6x3.0x0.6	2.5 - 3.0	65	○ Cool White	5000K	36	39	80	218
G62-127ET/KK8D-M5757X6Y22530U6/2T	5.6x3.0x0.6	2.5 - 3.0	65	○ Cool White	5700K	36	39	80	218
G62-127ET/KK8D-M6565X6Y22530U6/2T	5.6x3.0x0.6	2.5 - 3.0	65	○ Cool White	6500K	36	39	80	218

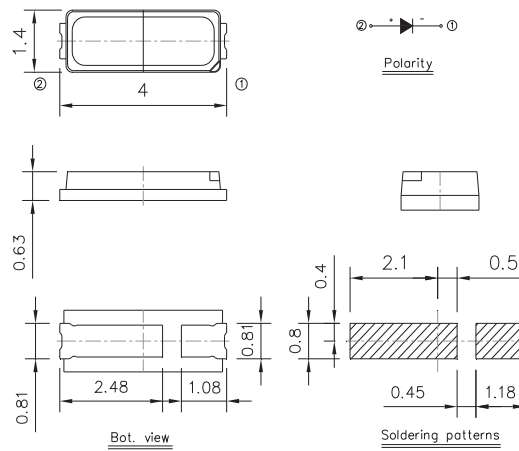
0.2W / 3V / 65mA

Product	Size (LxWxHmm)	Forward Voltage (V)	Forward Current (mA)	Color	CCT (K)	Luminous Flux (Min.)	Luminous Flux (Typ.)	CRI (min.)	Luminous Efficacy (lm/W)
62-127ET/KKX-M2727X5Y12529U6/2T	5.6x3.0x0.65	2.5~2.9	65	● Warm White	2700K	35	37	80	208
62-127ET/KKX-M3030X6Y22529U6/2T	5.6x3.0x0.65	2.5~2.9	65	● Warm White	3000K	36	38	80	213
62-127ET/KKX-M3535X6Y22529U6/2T	5.6x3.0x0.65	2.5~2.9	65	● Warm White	3500K	36	38	80	213
62-127ET/KKX-M4040X8Y42530U6/2T	5.6x3.0x0.65	2.5~2.9	65	○ Neutral White	4000K	38	40	80	225
62-127ET/KKX-M5050X8Y42529U6/2T	5.6x3.0x0.65	2.5~2.9	65	○ Cool White	5000K	38	40	80	225
62-127ET/KKX-M5757X8Y42529U6/2T	5.6x3.0x0.65	2.5~2.9	65	○ Cool White	5700K	38	40	80	225
62-127ET/KKX-M6565X8Y42529U6/2T	5.6x3.0x0.65	2.5~2.9	65	○ Cool White	6500K	38	40	80	225

Low Middle Power LED | 4014 3V



UNIT : mm



0.2W / 3V / 60mA

Product	Size (LxWxHmm)	Forward Voltage (V)	Forward Current (mA)	Color	CCT (K)	Luminous Flux (Min.)	Luminous Flux (Typ.)	CRI (min.)	Luminous Efficacy (lm/W)
50-217S/KKE-B302432Z6/SZM/2T	4.0x1.4x0.63	2.8~3.2	60	● Warm White	3000K	24	26	80	140
50-217S/KKE-B352432Z6/SZM/2T	4.0x1.4x0.63	2.8~3.2	60	● Warm White	3500K	24	26	80	140
50-217S/KKE-B402632Z6/SZM/2T	4.0x1.4x0.63	2.8~3.2	60	○ Neutral White	4000K	26	28	80	151
50-217S/KKE-B432632Z6/SZM/2T	4.0x1.4x0.63	2.8~3.2	60	○ Neutral White	4300K	26	28	80	151
50-217S/KKE-B502632Z6/SZM/2T	4.0x1.4x0.63	2.8~3.2	60	○ Cool White	5000K	26	28	80	151
50-217S/KKE-B632632Z6/SZM/2T	4.0x1.4x0.63	2.8~3.2	60	○ Cool White	6300K	26	28	80	151
50-217S/KKE-B652632Z6/SZM/2T	4.0x1.4x0.63	2.8~3.2	60	○ Cool White	6500K	26	28	80	151

0.2W / 3V / 60mA

Product	Size (LxWxHmm)	Forward Voltage (V)	Forward Current (mA)	Color	CCT (K)	Luminous Flux (Min.)	Luminous Flux (Typ.)	CRI (min.)	Luminous Efficacy (lm/W)
50-217S/KKE-B302632Z6/SZM/2T	4.0x1.4x0.63	2.8~3.2	60	● Warm White	3000K	26	28	80	151
50-217S/KKE-B352632Z6/SZM/2T	4.0x1.4x0.63	2.8~3.2	60	● Warm White	3500K	26	28	80	151
50-217S/KKE-B402832Z6/SZM/2T	4.0x1.4x0.63	2.8~3.2	60	○ Neutral White	4000K	28	30	80	161
50-217S/KKE-B432832Z6/SZM/2T	4.0x1.4x0.63	2.8~3.2	60	○ Neutral White	4300K	28	30	80	161
50-217S/KKE-B502832Z6/SZM/2T	4.0x1.4x0.63	2.8~3.2	60	○ Cool White	5000K	28	30	80	161
50-217S/KKE-B632832Z6/SZM/2T	4.0x1.4x0.63	2.8~3.2	60	○ Cool White	6300K	28	30	80	161
50-217S/KKE-B652832Z6/SZM/2T	4.0x1.4x0.63	2.8~3.2	60	○ Cool White	6500K	28	30	80	161

0.2W / 3V / 60mA

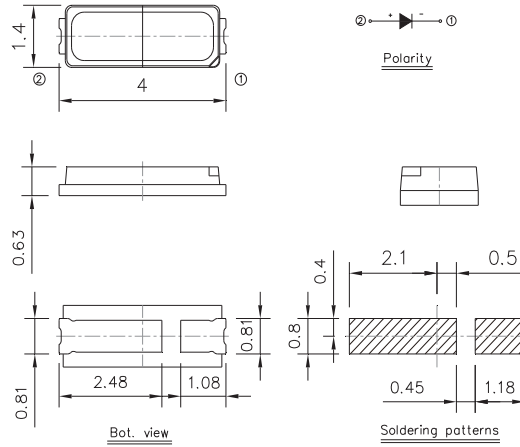
Product	Size (LxWxHmm)	Forward Voltage (V)	Forward Current (mA)	Color	CCT (K)	Luminous Flux (Min.)	Luminous Flux (Typ.)	CRI (min.)	Luminous Efficacy (lm/W)
50-217S/KKE-B302832Z6/SZM/2T	4.0x1.4x0.63	2.8~3.2	60	● Warm White	3000K	28	30	80	161
50-217S/KKE-B352832Z6/SZM/2T	4.0x1.4x0.63	2.8~3.2	60	● Warm White	3500K	28	30	80	161
50-217S/KKE-B403032Z6/SZM/2T	4.0x1.4x0.63	2.8~3.2	60	○ Neutral White	4000K	30	32	80	172
50-217S/KKE-B433032Z6/SZM/2T	4.0x1.4x0.63	2.8~3.2	60	○ Neutral White	4300K	30	32	80	172
50-217S/KKE-B503032Z6/SZM/2T	4.0x1.4x0.63	2.8~3.2	60	○ Cool White	5000K	30	32	80	172
50-217S/KKE-B633032Z6/SZM/2T	4.0x1.4x0.63	2.8~3.2	60	○ Cool White	6300K	30	32	80	172
50-217S/KKE-B653032Z6/SZM/2T	4.0x1.4x0.63	2.8~3.2	60	○ Cool White	6500K	30	32	80	172

Low Middle Power LED

Low Middle Power LED | 4014 3V



UNIT : mm



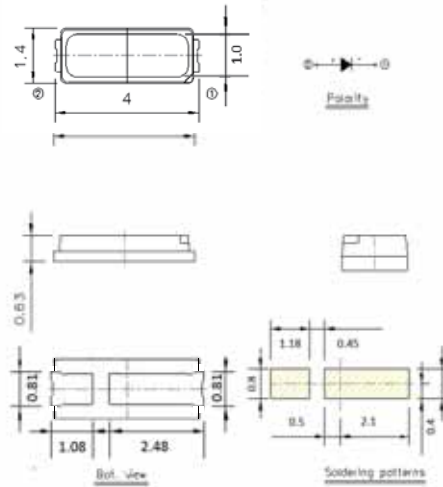
0.2W / 3V / 60mA

Product	Size (LxWxHmm)	Forward Voltage (V)	Forward Current (mA)	Color	CCT (K)	Luminous Flux (Min.)	Luminous Flux (Typ.)	CRI (min.)	Luminous Efficacy (lm/W)
50-217S/KKE-B303032Z6/SZM/2T	4.0x1.4x0.63	2.8~3.2	60	● Warm White	3000K	30	32	80	172
50-217S/KKE-B353032Z6/SZM/2T	4.0x1.4x0.63	2.8~3.2	60	● Warm White	3500K	30	32	80	172
50-217S/KKE-B403232Z6/SZM/2T	4.0x1.4x0.63	2.8~3.2	60	○ Neutral White	4000K	32	34	80	183
50-217S/KKE-B433232Z6/SZM/2T	4.0x1.4x0.63	2.8~3.2	60	○ Neutral White	4300K	32	34	80	183
50-217S/KKE-B503232Z6/SZM/2T	4.0x1.4x0.63	2.8~3.2	60	○ Cool White	5000K	32	34	80	183
50-217S/KKE-B633232Z6/SZM/2T	4.0x1.4x0.63	2.8~3.2	60	○ Cool White	6300K	32	34	80	183
50-217S/KKE-B653232Z6/SZM/2T	4.0x1.4x0.63	2.8~3.2	60	○ Cool White	6500K	32	34	80	183

Low Middle Power LED | 4010 3V



UNIT : mm



0.2W / 3V / 60mA

Product	Size (LxWxHmm)	Forward Voltage (V)	Forward Current (mA)	Color	CCT (K)	Luminous Flux (Min.)	Luminous Flux (Typ.)	CRI (min.)	Luminous Efficacy (lm/W)
50-219S/KKE-B302432Z6/SZM/2T	4.0x1.4x0.63	2.8~3.2	60	● Warm White	3000K	24	26	80	140
50-219S/KKE-B352432Z6/SZM/2T	4.0x1.4x0.63	2.8~3.2	60	● Warm White	3500K	24	26	80	140
50-219S/KKE-B402632Z6/SZM/2T	4.0x1.4x0.63	2.8~3.2	60	○ Neutral White	4000K	26	28	80	151
50-219S/KKE-B432632Z6/SZM/2T	4.0x1.4x0.63	2.8~3.2	60	○ Neutral White	4300K	26	28	80	151
50-219S/KKE-B502632Z6/SZM/2T	4.0x1.4x0.63	2.8~3.2	60	○ Cool White	5000K	26	28	80	151
50-219S/KKE-B632632Z6/SZM/2T	4.0x1.4x0.63	2.8~3.2	60	○ Cool White	6300K	26	28	80	151
50-219S/KKE-B652632Z6/SZM/2T	4.0x1.4x0.63	2.8~3.2	60	○ Cool White	6500K	26	28	80	151

0.2W / 3V / 60mA

Product	Size (LxWxHmm)	Forward Voltage (V)	Forward Current (mA)	Color	CCT (K)	Luminous Flux (Min.)	Luminous Flux (Typ.)	CRI (min.)	Luminous Efficacy (lm/W)
50-219S/KKE-B302632Z6/SZM/2T	4.0x1.4x0.63	2.8~3.2	60	● Warm White	3000K	26	28	80	151
50-219S/KKE-B352632Z6/SZM/2T	4.0x1.4x0.63	2.8~3.2	60	● Warm White	3500K	26	28	80	151
50-219S/KKE-B402832Z6/SZM/2T	4.0x1.4x0.63	2.8~3.2	60	○ Neutral White	4000K	28	30	80	161
50-219S/KKE-B432832Z6/SZM/2T	4.0x1.4x0.63	2.8~3.2	60	○ Neutral White	4300K	28	30	80	161
50-219S/KKE-B502832Z6/SZM/2T	4.0x1.4x0.63	2.8~3.2	60	○ Cool White	5000K	28	30	80	161
50-219S/KKE-B632832Z6/SZM/2T	4.0x1.4x0.63	2.8~3.2	60	○ Cool White	6300K	28	30	80	161
50-219S/KKE-B652832Z6/SZM/2T	4.0x1.4x0.63	2.8~3.2	60	○ Cool White	6500K	28	30	80	161

0.2W / 3V / 60mA

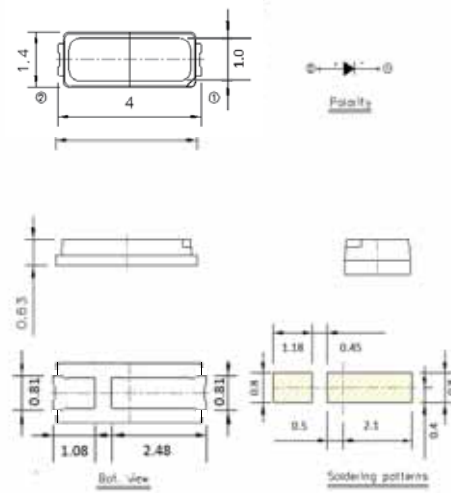
Product	Size (LxWxHmm)	Forward Voltage (V)	Forward Current (mA)	Color	CCT (K)	Luminous Flux (Min.)	Luminous Flux (Typ.)	CRI (min.)	Luminous Efficacy (lm/W)
50-219S/KKE-B302832Z6/SZM/2T	4.0x1.4x0.63	2.8~3.2	60	● Warm White	3000K	28	30	80	161
50-219S/KKE-B352832Z6/SZM/2T	4.0x1.4x0.63	2.8~3.2	60	● Warm White	3500K	28	30	80	161
50-219S/KKE-B403032Z6/SZM/2T	4.0x1.4x0.63	2.8~3.2	60	○ Neutral White	4000K	30	32	80	172
50-219S/KKE-B433032Z6/SZM/2T	4.0x1.4x0.63	2.8~3.2	60	○ Neutral White	4300K	30	32	80	172
50-219S/KKE-B503032Z6/SZM/2T	4.0x1.4x0.63	2.8~3.2	60	○ Cool White	5000K	30	32	80	172
50-219S/KKE-B633032Z6/SZM/2T	4.0x1.4x0.63	2.8~3.2	60	○ Cool White	6300K	30	32	80	172
50-219S/KKE-B653032Z6/SZM/2T	4.0x1.4x0.63	2.8~3.2	60	○ Cool White	6500K	30	32	80	172

Low Middle Power LED

Low Middle Power LED | 4010 3V



UNIT : mm



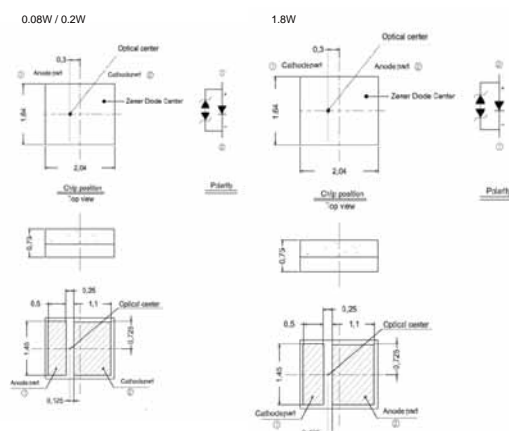
0.2W / 3V / 60mA

Product	Size (LxWxHmm)	Forward Voltage (V)	Forward Current (mA)	Color	CCT (K)	Luminous Flux (Min.)	Luminous Flux (Typ.)	CRI (min.)	Luminous Efficacy (lm/W)
50-219S/KKE-B303032Z6/SZM/2T	4.0x1.4x0.63	2.8~3.2	60	● Warm White	3000K	30	32	80	172
50-219S/KKE-B353032Z6/SZM/2T	4.0x1.4x0.63	2.8~3.2	60	● Warm White	3500K	30	32	80	172
50-219S/KKE-B403232Z6/SZM/2T	4.0x1.4x0.63	2.8~3.2	60	○ Neutral White	4000K	32	34	80	183
50-219S/KKE-B433232Z6/SZM/2T	4.0x1.4x0.63	2.8~3.2	60	○ Neutral White	4300K	32	34	80	183
50-219S/KKE-B503232Z6/SZM/2T	4.0x1.4x0.63	2.8~3.2	60	○ Cool White	5000K	32	34	80	183
50-219S/KKE-B633232Z6/SZM/2T	4.0x1.4x0.63	2.8~3.2	60	○ Cool White	6300K	32	34	80	183
50-219S/KKE-B653232Z6/SZM/2T	4.0x1.4x0.63	2.8~3.2	60	○ Cool White	6500K	32	34	80	183

UVA | LOW / MIDDLE / HIGH POWER LED | 2016



UNIT : mm



2016 ceramic substrate / 0.08W / 3.5V / 20mA / 120°

Product	Size (LxWxHmm)	View Angle	Forward Voltage (V)	Forward Current (mA)	Wavelength (nm)	Radiant Flux (mW)
ELUA2016OGB-P6070Q43040020-VA1M	2.0x1.6x0.75	120°	3.0~4.0	20	360~370	20
ELUA2016OGB-P8090Q53040020-VA1M	2.0x1.6x0.75	120°	3.0~4.0	20	380~390	25
ELUA2016OGB-P9000Q53040020-VA1M	2.0x1.6x0.75	120°	3.0~4.0	20	390~400	25
ELUA2016OGB-P0010Q53040020-VA1M	2.0x1.6x0.75	120°	3.0~4.0	20	400~410	25

2016 ceramic substrate / 0.2W / 3.5V / 60mA / 120°

Product	Size (LxWxHmm)	View Angle	Forward Voltage (V)	Forward Current (mA)	Wavelength (nm)	Radiant Flux (mW)
ELUA2016OGB-P6070R13040060-V21M	2.0x1.6x0.75	120°	3.0~4.0	60	360~370	70
ELUA2016OGB-P8090R43040060-V21M	2.0x1.6x0.75	120°	3.0~4.0	60	380~390	70
ELUA2016OGB-P9000R53040060-V21M	2.0x1.6x0.75	120°	3.0~4.0	60	390~400	70
ELUA2016OGB-P0010R53040060-V21M	2.0x1.6x0.75	120°	3.0~4.0	60	400~410	65

2016 ceramic substrate / 1.8W / 3.5V / 500mA / 120°

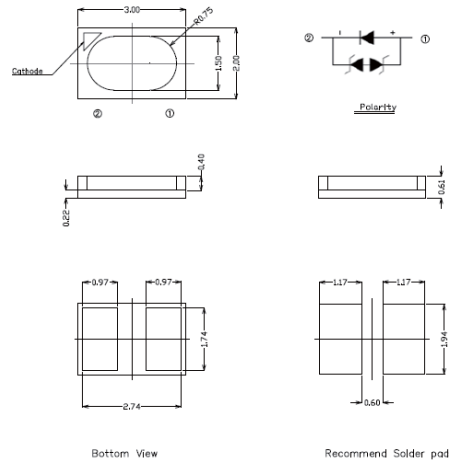
Product	Size (LxWxHmm)	View Angle	Forward Voltage (V)	Forward Current (mA)	Wavelength (nm)	Radiant Flux (mW)
ELUA2016OGB-P6070T53240500-VD1M	2.0x1.6x0.75	120°	3.2~4.0	500	360~370	500
ELUA2016OGB-P8090T73240500-VD1M	2.0x1.6x0.75	120°	3.2~4.0	500	380~390	600
ELUA2016OGB-P9000T73240500-VD1M	2.0x1.6x0.75	120°	3.2~4.0	500	390~400	600
ELUA2016OGB-P0010T73240500-VD1M	2.0x1.6x0.75	120°	3.2~4.0	500	400~410	600

UV

UVA | LOW MIDDLE POWER LED | 3020



UNIT : mm



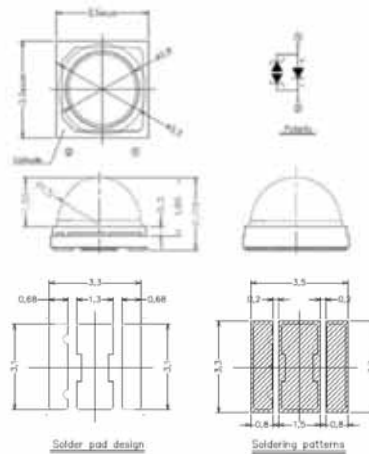
3020 ceramic substrate / 0.08W / 3.5V / 20mA / 120°

Product	Size (LxWxHmm)	View Angle	Forward Voltage (V)	Forward Current (mA)	Wavelength (nm)	Radiant Flux (mW)
ELUA3020LUB-P6070Q43040020-VA1D	3.0x2.0x0.62	120°	3.0~4.0	20	360~370	20
ELUA3020LUB-P8090Q53040020-VA1D	3.0x2.0x0.62	120°	3.0~4.0	20	380~390	25
ELUA3020LUB-P9000Q53040020-VA1D	3.0x2.0x0.62	120°	3.0~4.0	20	390~400	25
ELUA3020LUB-P0010Q53040020-VA1D	3.0x2.0x0.62	120°	3.0~4.0	20	400~410	25

UVA | HIGH POWER LED | 3535



UNIT : mm



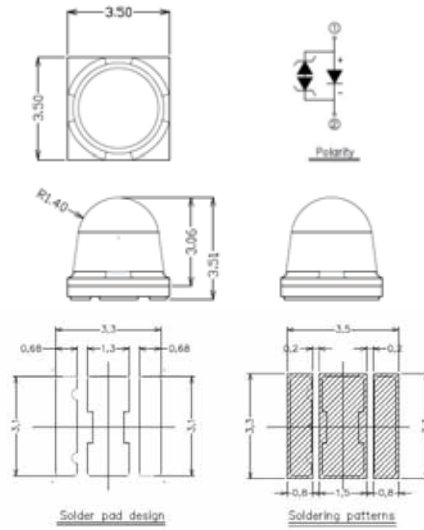
3535 ceramic substrate / 1.8W / 3.5V / 500mA / 120°

Product	Size (LxWxHmm)	View Angle	Forward Voltage (V)	Forward Current (mA)	Wavelength (nm)	Radiant Flux (mW)
ELUA3535OGB-P6070U23240500-VD1M	3.5x3.5x2.35	120°	3.2~4.0	500	360~370	1000
ELUA3535OGB-P8090U23240500-VD1M	3.5x3.5x2.35	120°	3.2~4.0	500	380~390	1000
ELUA3535OGB-P9000U23240500-VD1M	3.5x3.5x2.35	120°	3.2~4.0	500	390~400	1000
ELUA3535OGB-P0010U23240500-VD1M	3.5x3.5x2.35	120°	3.2~4.0	500	400~410	1000

UVA | HIGH POWER LED | 3535



UNIT : mm



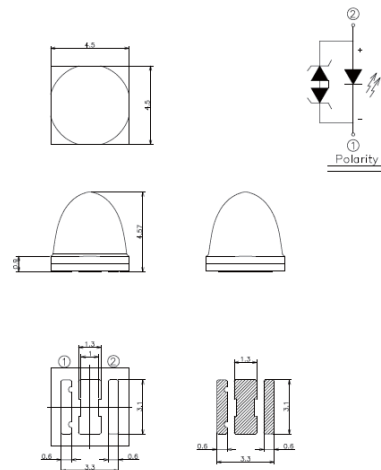
3535 ceramic substrate / 1.8W / 3.5V / 500mA / 50°

Product	Size (LxWxHmm)	View Angle	Forward Voltage (V)	Forward Current (mA)	Wavelength (nm)	Radiant Flux (mW)
ELUA3535OG5-P6070U13240500-VD1M	3.5x3.5x3.51	50°	3.2~4.0	500	360~370	900
ELUA3535OG5-P8090U23240500-VD1M	3.5x3.5x3.51	50°	3.2~4.0	500	380~390	1000
ELUA3535OG5-P9000U23240500-VD1M	3.5x3.5x3.51	50°	3.2~4.0	500	390~400	1000
ELUA3535OG5-P0010U23240500-VD1M	3.5x3.5x3.51	50°	3.2~4.0	500	400~410	1000

UVA | HIGH POWER LED | 4545



UNIT : mm



4545 ceramic substrate / 1.8W / 3.5V / 500mA / 30°

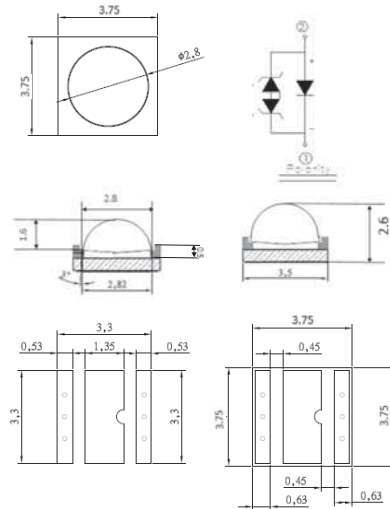
Product	Size (LxWxHmm)	View Angle	Forward Voltage (V)	Forward Current (mA)	Wavelength (nm)	Radiant Flux (mW)
ELUA4545OG3-P6070U13241500-VD1M	4.5x4.5x4.57	30°	3.2~4.1	500	360~370	900
ELUA4545OG3-P8090U23241500-VD1M	4.5x4.5x4.57	30°	3.2~4.1	500	380~390	1000
ELUA4545OG3-P9000U23241500-VD1M	4.5x4.5x4.57	30°	3.2~4.1	500	390~400	1000
ELUA4545OG3-P0010U23241500-VD1M	4.5x4.5x4.57	30°	3.2~4.1	500	400~410	1000

UV

UVA | HIGH POWER LED | 3535 Glass Lens



UNIT : mm



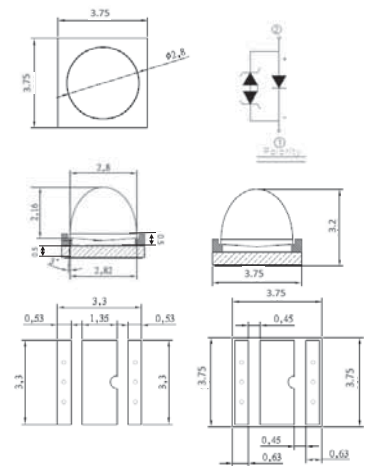
3535 ceramic substrate / 4W / 4V / 1000mA / 60°

Product	Size (LxWxHmm)	View Angle	Forward	Forward Current (mA)	Wavelength (nm)	Radiant Flux (mW)
ELUA3535NU6-P6070U23648700-V41G	3.75x3.75x2.6	60°	3.6~4.8	700	360~370	900
ELUA3535NU6-P8090U736481K0-V41G	3.75x3.75x2.6	60°	3.6~4.8	1000	380~390	1350
ELUA3535NU6-P9000U736481K0-V41G	3.75x3.75x2.6	60°	3.6~4.8	1000	390~400	1350
ELUA3535NU6-P0010U736481K0-V41G	3.75x3.75x2.6	60°	3.6~4.8	1000	400~410	1350

UVA | HIGH POWER LED | 3535 Glass Lens



UNIT : mm



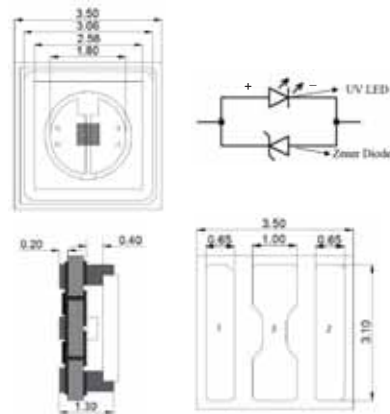
3535 ceramic substrate / 4W / 4V / 1000mA / 30°

Product	Size (LxWxHmm)	View Angle	Forward	Forward Current (mA)	Wavelength (nm)	Radiant Flux (mW)
ELUA3535NU3-P6070U23648700-V41G	3.75x3.75x3.2	30°	3.6~4.8	700	360~370	900
ELUA3535NU3-P8090U736481K0-V41G	3.75x3.75x3.2	30°	3.6~4.8	1000	380~390	1350
ELUA3535NU3-P9000U736481K0-V41G	3.75x3.75x3.2	30°	3.6~4.8	1000	390~400	1350
ELUA3535NU3-P0010U736481K0-V41G	3.75x3.75x3.2	30°	3.6~4.8	1000	400~410	1350

UVC | LOW POWER LED | 3535



UNIT : mm



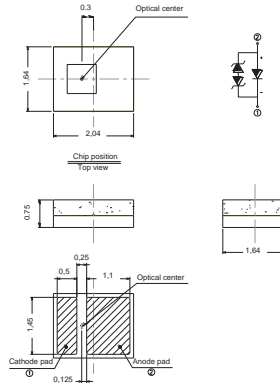
3535 ceramic substrate / 0.13W / 6V / 20mA / 120°

Product	Size (LxWxHmm)	Forward Voltage (V)	Forward Current (mA)	Peak Wavelength (nm)	Radiant Flux (mW)
					TYP
ELUC3535NUB-P7085Q05075020-S41Q	3.5x3.5x1.3	5.0~7.5	20	270~285	2

Flash LED | High Power Flash LED | 2016 Package Dual Color



UNIT : mm



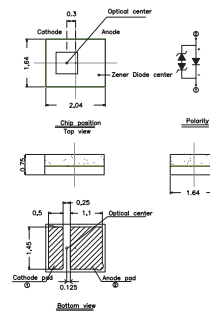
Product	Size (LxWxHmm)	Color	CCT (K)	Typ. Luminous Flux (lm)	Forward Voltage (V)	I _F (mA)
ELCH07-NB2025J5J7283910-F3H	2.04x1.64x0.75	● Warm White	2000~2500	210	2.85~3.95	1000mA
ELCH07-NB5060J6J8283910-F3H	2.04x1.64x0.75	○ White	5000~6000	260	2.85~3.95	1000mA
ELCH08-NF2025J5J8283910-FDH	2.04x1.64x0.75	● Warm White	2000~2500	220	2.85~3.9	1000mA
ELCH08-NF5565J7J9283910-FDH	2.04x1.64x0.75	○ White	5500~6500	300	2.85~3.9	1000mA

Flash LED

Flash LED | High Power Flash LED | 2016 Package Type



UNIT : mm

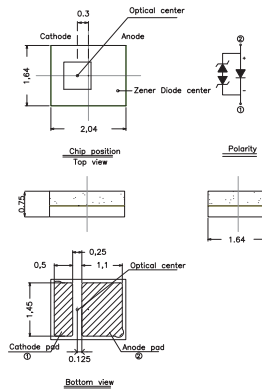


Product	Size (LxWxHmm)	Color	CCT (K)	Typ. Luminous Flux (lm)	Forward Voltage (V)	I _F (mA)
ELCH07-NB5060J6J8283910-F3W	2.04x1.64x0.75	White	5000~6000	250	2.85~3.95	1000mA

Flash LED | High Power Flash LED | 2016 Package Type



UNIT : mm

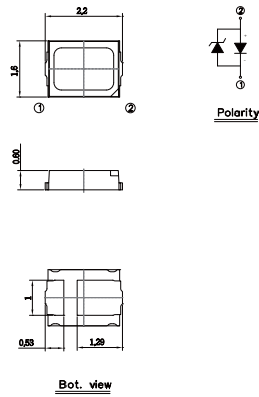


Product	Size (LxWxHmm)	Color	CCT (K)	Typ. Luminous Flux (lm)	Forward Voltage (V)	I _F (mA)
ELCH08-NB5060J7J9283910-F1S	2.04x1.64x0.75	○ White	5000~6000	300	2.85~3.95	1000mA
ELCH09-NB5060J8K2283910-FDX	2.04x1.64x0.75	○ White	5000~6000	350	2.85~3.95	1000mA

Flash LED | High Power Flash LED | 2016 Package HCRI Type



UNIT : mm

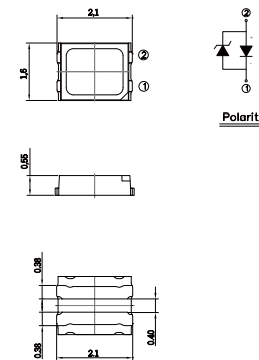


Product	Size (LxWxHmm)	Color	CCT (K)	Typ. Luminous Flux (lm)	Forward Voltage (V)	I _F (mA)	CRI
ELEM-KB5060F9J4294003-T6C	2.2x1.6x0.6	○ White	5000~6000	115	2.95~4.05	350mA	>80

Flash LED



UNIT : mm

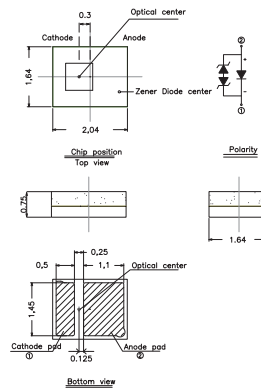


Product	Size (LxWxHmm)	Color	CCT (K)	Typ. Luminous Flux (lm)	Forward Voltage (V)	I _F (mA)
ELEM-NB5060J6J8293910-F3C	2.1x1.6x0.55	○ White	5000~6000	260	2.95~3.95	1000mA

Flash LED | High Power Flash LED | 2016 Package HCRI Type



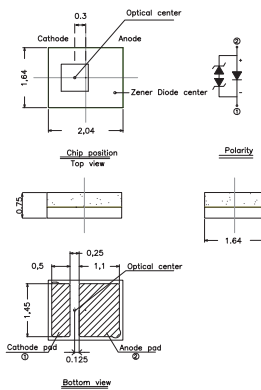
UNIT : mm



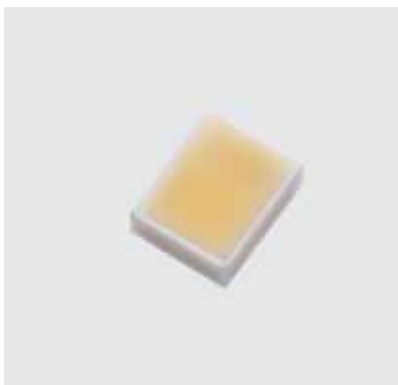
Product	Size (LxWxHmm)	Color	CCT (K)	Typ. Luminous Flux (lm)	Forward Voltage (V)	I _F (mA)	CRI
ELCH07-KB4050J5J8283910-F3H	2.04x1.64x0.75	○ White	4000~5000	220	2.85~3.95	1000mA	>80
ELCH08-KB4050J6J8283910-FDH	2.04x1.64x0.75	○ White	4000~5000	250	2.85~3.95	1000mA	>80



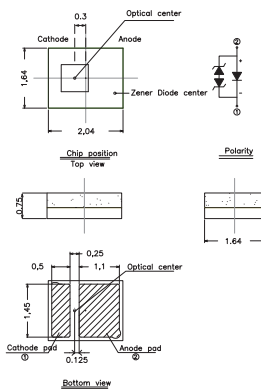
UNIT : mm



Product	Size (LxWxHmm)	Color	CCT (K)	Typ. Luminous Flux (lm)	Forward Voltage (V)	I _F (mA)	CRI
ELCH08-KB5060J7J9283810-FDX	2.04x1.64x0.75	○ White	5000~6000	300	2.85~3.8	1000mA	>80



UNIT : mm

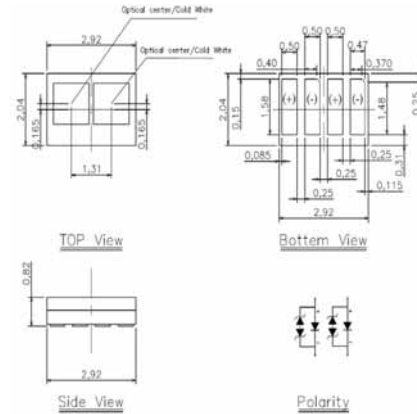


Product	Size (LxWxHmm)	Color	CCT (K)	Typ. Luminous Flux (lm)	Forward Voltage (V)	I _F (mA)	CRI
ELCH08-HB3545J6J8283910-FDS	2.04x1.64x0.75	○ White	3500~4500	220	2.85~3.95	1000mA	>90

Flash LED | High Power Flash LED | ELDA Series



UNIT : mm

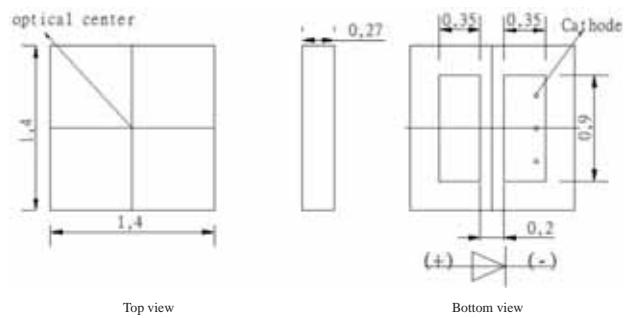


Product	Size (LxWxHmm)	Color	CCT (K)	Typ. Luminous Flux (lm)	Forward Voltage (V)	If(mA)	CRI
ELDA06-HB2555J3J8283910-FCX	2.92x2.04x0.82	Warm White	2250 ~2750	170	2.85~3.95	1000mA	>90
		Cold White	5000~6000	220	2.85~3.95	1000mA	
ELDA08-NB5060J6J8283910-FCX	2.92x2.04x0.82	Cold White	5000~6000	270	2.85~3.95	1000mA	NA

Flash LED | High Power Flash LED | CSP HCRI Type

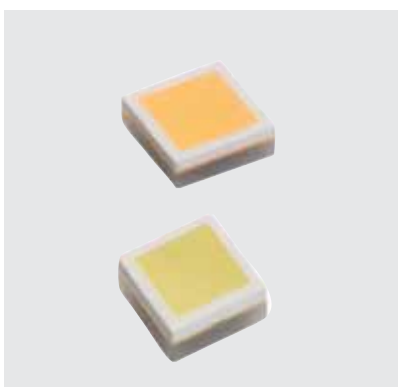


UNIT : mm

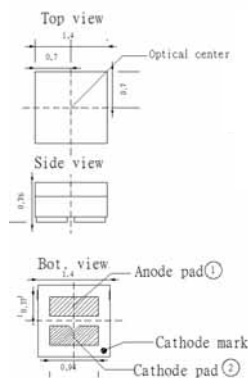


Product	Size (LxWxHmm)	Color	CCT (K)	Typ. Luminous Flux (lm)	Forward Voltage (V)	If(mA)	CRI
ELCS14B-KB4050J6J8283910-FCZ	1.4X1.4X0.27	White	4000~5000	250	2.85~3.95	1000mA	>80

Flash LED | High Power Flash LED | 1610 Package HCRI Type

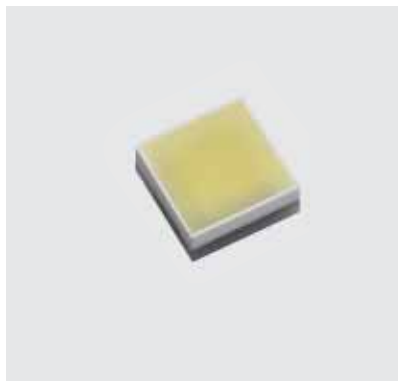


UNIT : mm

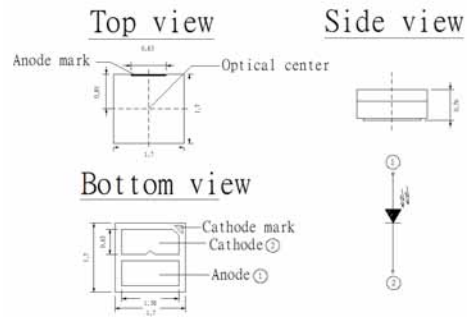


Product	Size (LxWxHmm)	Color	CCT (K)	Typ. Luminous Flux (lm)	Forward Voltage (V)	If(mA)
ELCS14G-NB2025J6J7293910-F3Y	1.4X1.4X0.76	Warm White	2000~2500	220	2.95~3.95	1000mA
ELCS14G-NB5060J6J8293910-F3X	1.4X1.4X0.76	Cold White	5000~6000	245	2.95~3.95	1000mA

Flash LED | High Power Flash LED | CSP HCRI with substrate

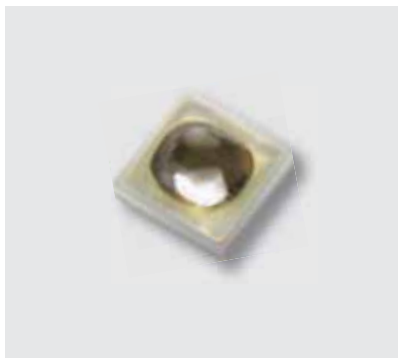


UNIT : mm

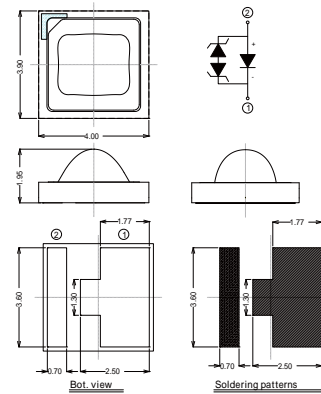


Product	Size (LxWxHmm)	Color	CCT (K)	Typ. Luminous Flux (lm)	Forward Voltage (V)	If(mA)
ELCS17G-NB5060K5K8293916-F6Z	1.7x1.7x0.76	Cold White	5000-6000	540	2.95-3.95	1000mA

Flash LED | High Power Flash LED | Module Type



UNIT : mm

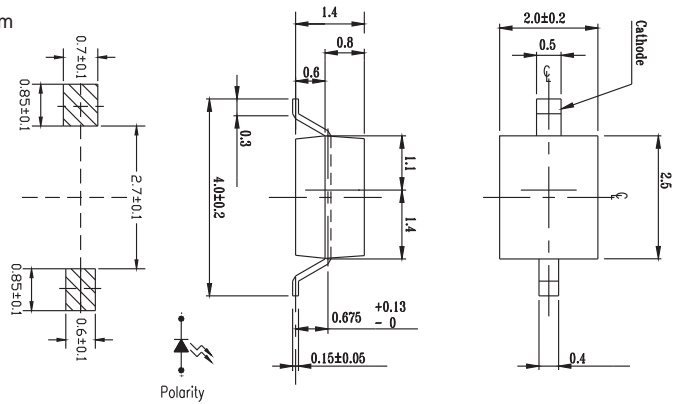


Product	Size (LxWxHmm)	Color	CCT (K)	Typ. Illuminance (lm)	Forward Voltage (V)	I _F (mA)
ELYU03-5070J5J7294310-N0	4.0x3.9x1.95	White	5000-7000	198	2.95-4.35	1000mA
ELYU03-5060J5J7294310-N0	4.0x3.9x1.95	White	5000-6000	198	2.95-4.35	1000mA

SMD LED ■ Subminiature LED Lamps (Leadframe)



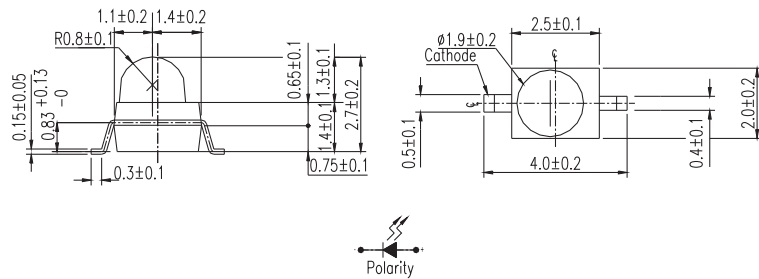
UNIT : mm



Product	Size (LxWxHmm)	Color	λ_d (nm)/ CIE(x,y)	I_v Min./Typ. (mcd)	I_v Max. (mcd)	V_F Min. (V)	V_F Typ. (V)	V_F Max. (V)	I_F (mA)
28-21SDRC/S530-A3/TR8	2.5x2.0x1.4	● Deep Red	639	20 / 27	N	1.7	2	2.4	20
28-21SURC/S530-A2/TR8	2.5x2.0x1.4	● Hyper Red	624	11 / 26	N	N	2	2.4	20
28-21UYC/S530-A3/TR8	2.5x2.0x1.4	● Super Yellow	589	21 / 33	N	N	2	2.4	20



UNIT : mm

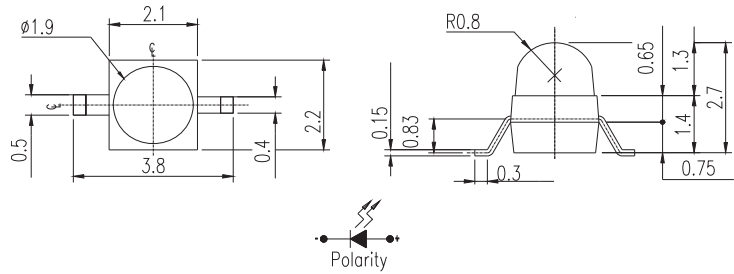


Product	Size (LxWxHmm)	Color	λ_d (nm)/ CIE(x,y)	I_v Min./Typ. (mcd)	I_v Max. (mcd)	V_F Min. (V)	V_F Typ. (V)	V_F Max. (V)	I_F (mA)
91-21SUBC/S400-A6/TR7	2.0x2.5x2.7	● Super Blue	470	650 / 800	N	N	3.5	4.0	20
91-21SUGC/S400-A4/TR7	2.0x2.5x2.7	● Super Green	525	2000 / 2300	N	N	3.5	4.3	20
91-21SURC/S530-A6/TR7	2.0x2.5x2.7	● Hyper Red	624	802 / 1232	N	N	2	2.4	20
91-21SYGC/S530-E4/TR7	2.0x2.5x2.7	● Super Yellow Green	573	528 / 594	N	N	2	2.4	20
91-21USRC/S530-A4/TR7	2.0x2.5x2.7	● Dark Red	631	344 / 578	N	N	2	2.4	20

SMD LED ■ Subminiature LED Lamps (Leadframe)



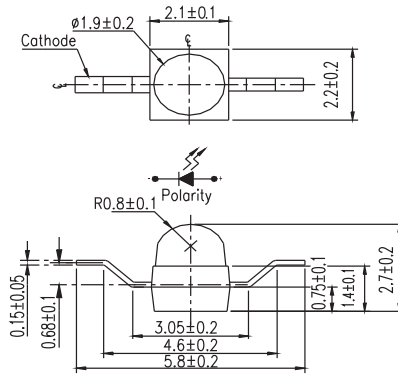
UNIT : mm



Product	Size (LxWxHmm)	Color	λ_d (nm)/CIE(x,y)	I_v Min./Typ. (mcd)	I_v Max. (mcd)	V_F Min. (V)	V_F Typ. (V)	V_F Max. (V)	I_F (mA)
95-21SUGC/S400-A4/TR7	2.1x2.2x2.7	● Super Green	525	2000 / 2300	N	N	3.5	4.3	20
95-21SYGC/S530-E2/TR7	2.1x2.2x2.7	● Brilliant Yellow Green	573	264 / 330	N	1.7	2	2.4	20
95-21USRD/S357/TR7	2.1x2.2x2.7	● Dark Red	631	45 / 100	N	N	2	2.4	20
95-21UYC/S530-A5/TR7	2.1x2.2x2.7	● Super Yellow	589	793 / 1156	N	N	2	2.4	20



UNIT : mm



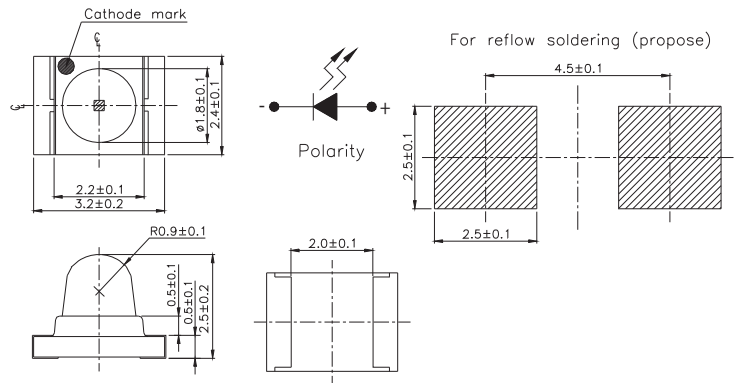
95-21F10/TR10

Product	Size (LxWxHmm)	Color	λ_d (nm)/CIE(x,y)	I_v Min./Typ. (mcd)	I_v Max. (mcd)	V_F Min. (V)	V_F Typ. (V)	V_F Max. (V)	I_F (mA)
95-21SDRC/S530-A3/TR10	2.1x2.2x2.7	● Brilliant Red	639	330 / 495	N	1.7	2	2.4	20
95-21SUBC/S400-A5/TR10	2.1x2.2x2.7	● Super Blue	470	500 / 800	N	N	3.5	4.3	20

SMD LED | Surface Mount Chip LED (PCB) | Top View LED



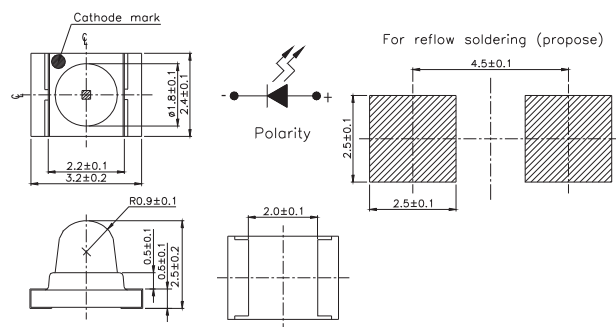
UNIT : mm



Product	Size (LxWxHmm)	Color	λ_d (nm)/ CIE(x,y)	I_v Min./Typ. (mcd)	I_v Max. (mcd)	V_F Min./Typ. (V)	V_F Max. (V)	I_F (mA)
42-21/BHC-AUW/1T	3.2x2.4x2.5	●Blue	470	450	1800	2.7 / 3.3	3.7	20



UNIT : mm



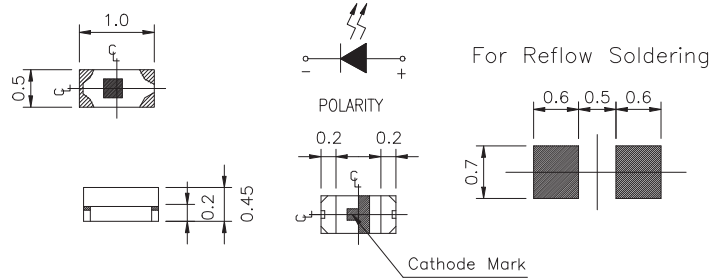
Product	Size (LxWxHmm)	Color	λ_d (nm)/ CIE(x,y)	I_v Min./Typ. (mcd)	I_v Max. (mcd)	V_F Min./Typ. (V)	V_F Max. (V)	I_F (mA)
42-21A/BHC-ZV1W2N/1T	3.2x2.4x2.5	●Blue	470	715	1800	2.65	3.75	20
42-21A/GHC-YX1Y2N/1T	3.2x2.4x2.5	●Brilliant Green	525	1800	4500	2.7	3.7	20

SMD LED

SMD LED | Surface Mount Chip LED (PCB) | Top View 0402 (0.2T~0.5T)



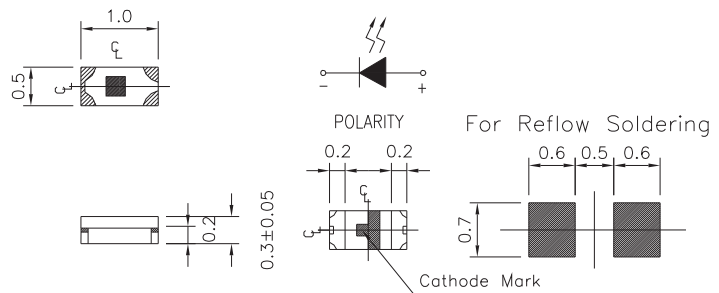
UNIT : mm



Product	Size (LxWxHmm)	Color	λ_d (nm)/CIE(x,y)	I_v Min./Typ. (mcd)	I_v Max. (mcd)	V_f Min./Typ. (V)	V_f Max. (V)	I_f (mA)
16-213/BHC-AN1P2/3T	1.0x0.5x0.45	● Blue	470	28.5	72	2.7 / 3.3	3.7	20
16-213/BHC-ZL1M2QY/3T	1.0x0.5x0.45	● Blue	470	11.5	28.5	2.7	3.2	5
16-213/GHC-YR1S1/3T	1.0x0.5x0.45	● Brilliant Green	525	112	225	2.7 / 3.3	3.7	20
16-213/R6C-A2225VZ/3T	1.0x0.5x0.45	● Brilliant Red	624	20	40.5	1.7	2.2	10
16-213/T3D-AP1Q2QY/3T	1.0x0.5x0.45	○ Pure White	x=0.29, y=0.30	45	112	2.7	3.2	5
16-213/T7D-AQ1R1QY/3T	1.0x0.5x0.45	○ Pure White	x=0.29, y=0.30	72	140	2.7	3.2	5



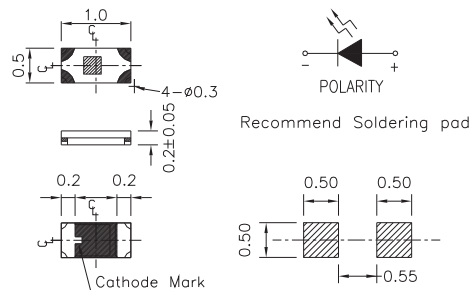
UNIT : mm



Product	Size (LxWxHmm)	Color	λ_d (nm)/CIE(x,y)	I_v Min./Typ. (mcd)	I_v Max. (mcd)	V_f Min./Typ. (V)	V_f Max. (V)	I_f (mA)
16-216/T3D-AQ1R2TY/3T	1.0x0.5x0.3	○ Pure White	x=0.29, y=0.30	72	180	2.6	3	5



UNIT : mm

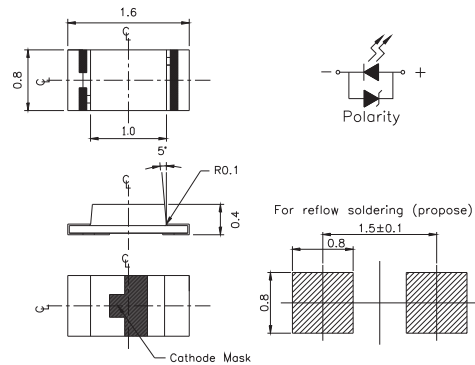


Product	Size (LxWxHmm)	Color	λ_d (nm)/CIE(x,y)	I_v Min./Typ. (mcd)	I_v Max. (mcd)	V_f Min./Typ. (V)	V_f Max. (V)	I_f (mA)
16-219A/T2D-AR2T1QY/3T	1.0x0.5x0.2	○ Pure White	x=0.29, y=0.30	140	360	2.7	3.2	5

SMD LED | Surface Mount Chip LED (PCB) | Top View 0603 (0.2T~0.8T)



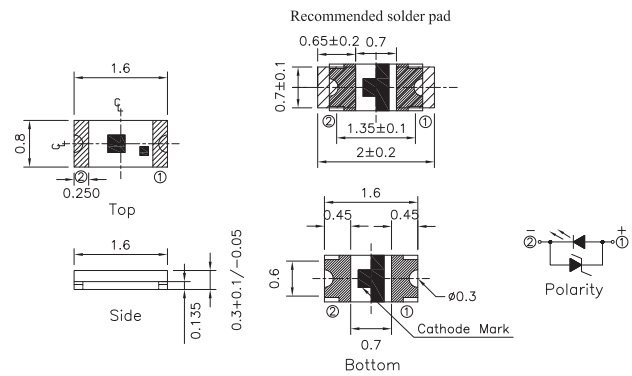
UNIT : mm



Product	Size (LxWxHmm)	Color	λ_d (nm)/CIE(x,y)	I_V Min./Typ. (mcd)	I_V Max. (mcd)	V_F Min./Typ. (V)	V_F Max. (V)	I_F (mA)
19-117/BHC-YJ2K2TX/3T	1.6x0.8x0.4	● Blue	470	5.8	11.5	2.6	3	2
19-117/BHC-ZL1M2RY/3T	1.6x0.8x0.4	● Blue	470	11.5	28.5	2.5	3.1	5
19-117/T1D-AP2Q2QY/3T	1.6x0.8x0.4	○ Pure White	x=0.274, y=0.226	57	112	2.7	3.2	5



UNIT : mm

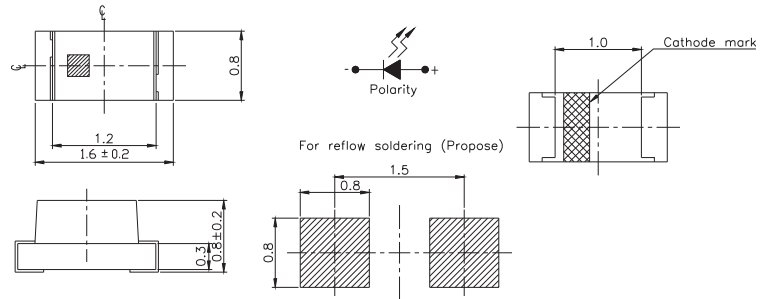


Product	Size (LxWxHmm)	Color	λ_d (nm)/CIE(x,y)	I_V Min./Typ. (mcd)	I_V Max. (mcd)	V_F Min./Typ. (V)	V_F Max. (V)	I_F (mA)
19-118/BHC-ZL1M2QY/3T	1.6x0.8x0.3	● Blue	470	11.5	28.5	2.7	3.2	5

SMD LED ■ Surface Mount Chip LED (PCB) ■ Top View 0603 (0.2T~0.8T)



UNIT : mm

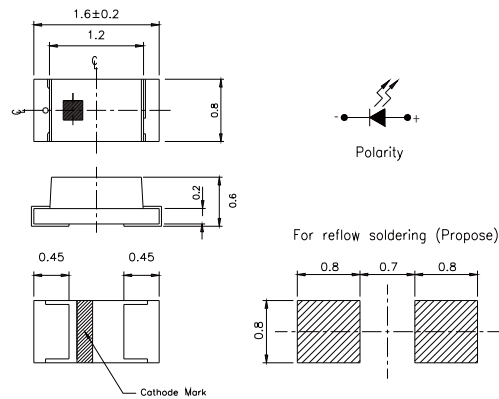


Product	Size (LxWxHmm)	Color	λ_d (nm)/CIE(x,y)	I_V Min./Typ. (mcd)	I_V Max. (mcd)	V_F Min./Typ. (V)	V_F Max. (V)	I_F (mA)
19-21/B6C-AP2Q2M/3T	1.6x0.8x0.8	● Blue	470	57	112	2.75	3.95	20
19-21/BHC-AP1Q2/3T	1.6x0.8x0.8	● Blue	470	45	112	2.7 / 3.3	3.7	20
19-21/BHC-YL1M1RY/3T	1.6x0.8x0.8	● Blue	470	11.5	22.5	2.5	3.1	5
19-21/BHC-ZQ1R2N/3T	1.6x0.8x0.8	● Blue	470	72	180	2.7	3.7	20
19-21/G6C-AL1M2LY/3T	1.6x0.8x0.8	● Brilliant Yellow Green	573	11.5	28.5	1.7	2.3	5
19-21/G6C-FM1N2B/3T	1.6x0.8x0.8	● Brilliant Yellow Green	573	18	45	1.75	2.35	20
19-21/G6C-FP1Q1L/3T	1.6x0.8x0.8	● Brilliant Yellow Green	573	45	90	1.7	2.3	20
19-21/GHC-YN1P2QY/3T	1.6x0.8x0.8	● Brilliant Green	525	28.5	72	2.7	3.2	5
19-21/GPC-FL1M2B/3T	1.6x0.8x0.8	● Green	562	11.5	28.5	1.75	2.35	20
19-21/R6C-AL2N1VY/3T	1.6x0.8x0.8	● Brilliant Red	624	14.5	36	1.7	2.2	5
19-21/R6C-FP1Q2L/3T	1.6x0.8x0.8	● Brilliant Red	624	45	112	1.7	2.3	20
19-21/R7C-AK1L2BY/3T	1.6x0.8x0.8	● Deep Red	631	7.2	18	1.75	2.35	5
19-21/R7C-AN2Q1B/3T	1.6x0.8x0.8	● Deep Red	631	36	90	1.75	2.35	20
19-21/R8C-FN2Q1L/3T	1.6x0.8x0.8	● Deep Red	639	36	90	1.7	2.3	20
19-21/S2C-AL2M2VY/3T	1.6x0.8x0.8	● Brilliant Orange	605	14.5	28.5	1.7	2.2	5
19-21/S2C-AQ1R2B/3T	1.6x0.8x0.8	● Brilliant Orange	605	72	180	1.75	2.35	20
19-21/T1D-ANPHY/3T	1.6x0.8x0.8	○ Pure White	x=0.274, y=0.226	28.5	72	2.7	3.15	5
19-21/T1D-CPQTY/3T	1.6x0.8x0.8	○ Pure White	x=0.274, y=0.226	45	112	2.6	3	5
19-21/Y2C-AL1M2VY/3T	1.6x0.8x0.8	● Brilliant Yellow	589	11.5	28.5	1.7	2.2	5
19-21/Y2C-CP1Q2B/3T	1.6x0.8x0.8	● Brilliant Yellow	589	45	112	1.75	2.35	20

SMD LED | Surface Mount Chip LED (PCB) | Top View 0603 (0.2T~0.8T)



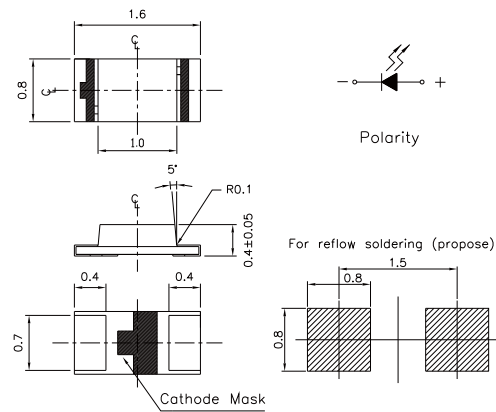
UNIT : mm



Product	Size (LxWxHmm)	Color	λ_d (nm)/CIE(x,y)	I_v Min./Typ. (mcd)	I_v Max. (mcd)	V_F Min./Typ. (V)	V_F Max. (V)	I_F (mA)
19-213A/T1D-CP2Q2HY/3T	1.6x0.8x0.6	○ Pure White	x=0.274, y=0.226	57	112	2.7	3.15	5

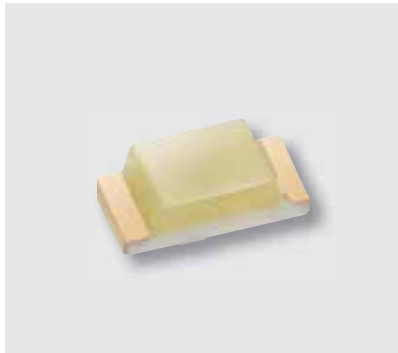


UNIT : mm

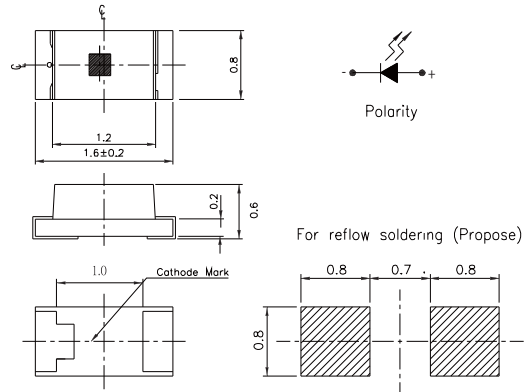


Product	Size (LxWxHmm)	Color	λ_d (nm)/CIE(x,y)	I_v Min./Typ. (mcd)	I_v Max. (mcd)	V_F Min./Typ. (V)	V_F Max. (V)	I_F (mA)
19-217/B9C-ANQE/3T	1.6x0.8x0.4	● Blue	470	28.5	112	2.75	3.65	20
19-217/BHC-AN1P2/3T	1.6x0.8x0.4	● Blue	470	28.5	72	2.7 / 3.3	3.7	20
19-217/BHC-XK1L2B11X/3T	1.6x0.8x0.4	● Blue	470	7.2	18	2.6	2.9	2
19-217/BHC-YL2M2TY/3T	1.6x0.8x0.4	● Blue	470	14.5	28.5	2.6	3	5
19-217/G7C-AL1M2B/3T	1.6x0.8x0.4	● Brilliant Yellow Green	573	11.5	28.5	1.75	2.35	20
19-217/GHC-YR1S2/3T	1.6x0.8x0.4	● Brilliant Green	525	112	285	2.7 / 3.3	3.7	20
19-217/R6C-P1Q2/3T	1.6x0.8x0.4	● Brilliant Red	624	45	112	1.7 / 2	2.4	20
19-217/S2C-AL1M2VY/3T	1.6x0.8x0.4	● Brilliant Orange	605	11.5	28.5	1.7	2.2	5
19-217/S3C-AL2N1VY/3T	1.6x0.8x0.4	● Reddish Orange	615	14.5	36	1.7	2.2	5
19-217/T1D-ANPHY/3T	1.6x0.8x0.4	○ Pure White	x=0.274, y=0.226	28.5	72	2.7	3.15	5
19-217/T1D-JP1Q2QY/3T	1.6x0.8x0.4	○ Pure White	x=0.274, y=0.226	45	112	2.7	3.2	5
19-217/Y5C-AM1N1VY/3T	1.6x0.8x0.4	● Brilliant Yellow	589	18	36	1.7	2.2	5
19-217/Y5C-APQB/3T	1.6x0.8x0.4	● Brilliant Yellow	589	45	112	1.75	2.35	20
19-217/Y5C-AQ2R2/3T	1.6x0.8x0.4	● Brilliant Yellow	589	90	180	1.7 / 2	2.4	20

SMD LED | Surface Mount Chip LED (PCB) | Top View 0603 (0.2T~0.8T)

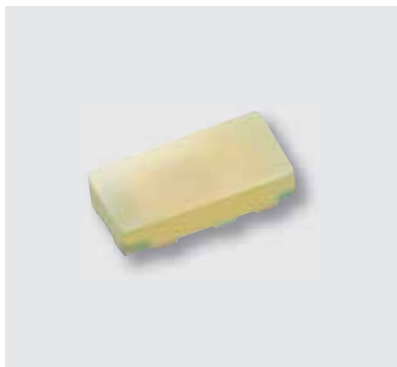


UNIT : mm

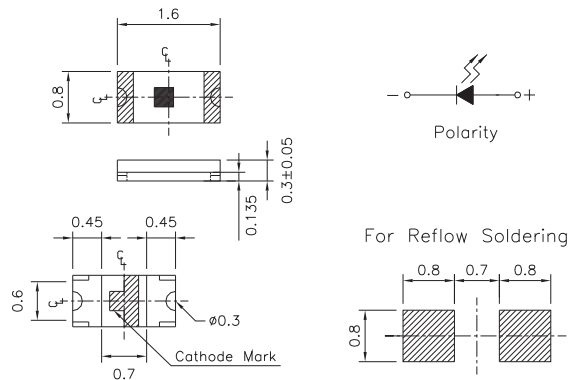


Product	Size (LxWxHmm)	Color	λ_d (nm)/CIE(x,y)	I_v Min./Typ. (mcd)	I_v Max. (mcd)	V_F Min./Typ. (V)	V_F Max. (V)	I_F (mA)
19-213/Y2C-CQ1R2/3T	1.6x0.8x0.6	● Brilliant Yellow	589	72	180	1.7 / 2	2.4	20
19-213/B7C-AQ2S1B2/3T	1.6x0.8x0.6	● Blue	470	90	225	2.9	3.6	20
19-213/BHC-AN1P2/3T	1.6x0.8x0.6	● Blue	470	28.5	72	2.7 / 3.3	3.7	20
19-213/G6C-AP1Q2/3T	1.6x0.8x0.6	● Brilliant Yellow Green	573	45	112	2	2.4	20
19-213/G6C-BM1N2B/3T	1.6x0.8x0.6	● Brilliant Yellow Green	573	18	45	1.75	2.35	20
19-213/G6C-FN2Q1L/3T	1.6x0.8x0.6	● Brilliant Yellow Green	573	36	90	1.7	2.3	20
19-213/G6W-FN1P1B/3T	1.6x0.8x0.6	● Brilliant Yellow Green	573	28.5	57	1.75	2.35	20
19-213/GHC-XS1T1N/3T	1.6x0.8x0.6	● Brilliant Green	525	180	360	2.7	3.7	20
19-213/GHC-YP1Q2QY/3T	1.6x0.8x0.6	● Brilliant Green	525	45	112	2.7	3.2	5
19-213/GHC-YR1S2/3T	1.6x0.8x0.6	● Brilliant Green	525	112	285	3.5	4	20
19-213/R6C-AM2P1VY/3T	1.6x0.8x0.6	● Brilliant Red	624	22.5	57	1.7	2.2	5
19-213/R6C-AN1P2/3T	1.6x0.8x0.6	● Brilliant Red	624	28.5	72	1.7 / 2	2.4	20
19-213/R6C-AN2Q1B/3T	1.6x0.8x0.6	● Brilliant Red	624	36	90	1.75	2.35	20
19-213/R6C-AP1Q2B/3T	1.6x0.8x0.6	● Brilliant Red	624	45	112	1.75	2.35	20
19-213/R6C-AQ1R2B/3T	1.6x0.8x0.6	● Brilliant Red	624	72	180	1.75	2.35	20
19-213/R8C-FN1P2/3T	1.6x0.8x0.6	● Deep Red	639	28.5	72	1.7 / 2	2.4	20
19-213/S2C-AN1P2B/3T	1.6x0.8x0.6	● Brilliant Orange	605	28.5	72	1.75	2.35	20
19-213/S3C-AN2P2B/3T	1.6x0.8x0.6	● Reddish Orange	615	36	72	1.75	2.35	20
19-213/T1D-ANPHY/3T	1.6x0.8x0.6	○ Pure White	x=0.274, y=0.226	28.5	72	2.7	3.15	5
19-213/Y2C-AP1Q2B/3T	1.6x0.8x0.6	● Brilliant Yellow	589	45	112	1.75	2.35	20
19-213/Y2C-CN1P2/3T	1.6x0.8x0.6	● Brilliant Yellow	589	28.5	72	1.7 / 2	2.4	20
19-213/Y2C-CP1Q2L/3T	1.6x0.8x0.6	● Brilliant Yellow	589	45	112	1.7	2.3	20
19-213/Y2C-CQ2R2L/3T	1.6x0.8x0.6	● Brilliant Yellow	589	90	180	1.7	2.3	20

SMD LED | Surface Mount Chip LED (PCB) | Top View 0603 (0.2T~0.8T)



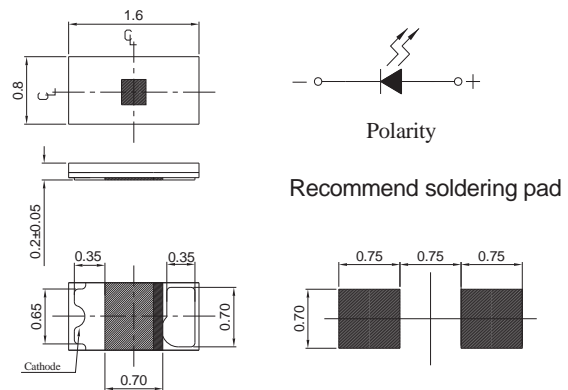
UNIT : mm



Product	Size (LxWxHmm)	Color	λ_d (nm)/CIE(x,y)	I_v Min./Typ. (mcd)	I_v Max. (mcd)	V_F Min./Typ. (V)	V_F Max. (V)	I_F (mA)
19-218/BHC-ZL1M2QY/3T	1.6x0.8x0.3	● Blue	470	11.5	28.5	2.7	3.2	5
19-218/GHC-YR1S2M/3T	1.6x0.8x0.3	● Brilliant Green	525	112	285	2.75	3.95	20
19-218/R6C-AL1M2VY/3T	1.6x0.8x0.3	● Brilliant Red	624	11.5	28.5	1.7	2.2	5
19-218/R6C-FM2P1B7Y/3T	1.6x0.8x0.3	● Brilliant Red	624	22.5	57	1.7	2	5
19-218/T1D-CQ2R2TY/3T	1.6x0.8x0.3	○ Pure White	x=0.274, y=0.226	90	180	2.6	3	5



UNIT : mm

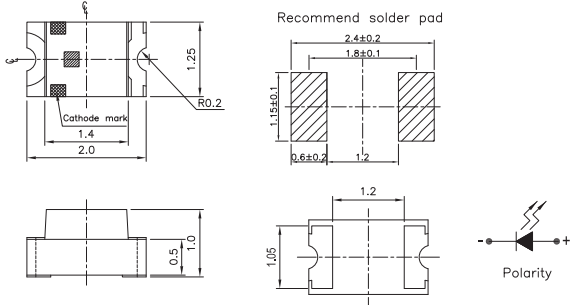


Product	Size (LxWxHmm)	Color	λ_d (nm)/CIE(x,y)	I_v Min./Typ. (mcd)	I_v Max. (mcd)	V_F Min./Typ. (V)	V_F Max. (V)	I_F (mA)
19-219/T3D-AQ2R2TY/3T	1.6x0.8x0.2	○ Pure White	x=0.274, y=0.226	90	180	2.6	3	5
19-219/T7D-AV1W1E/3T	1.6x0.8x0.2	○ Pure White	x=0.274, y=0.226	715	1420	2.75	3.65	20
19-219/Y5C-AM1N2VY/3T	1.6x0.8x0.2	● Brilliant Yellow	589	18	45	1.7	2.2	5

SMD LED | Surface Mount Chip LED (PCB) | Top View 0805



UNIT : mm

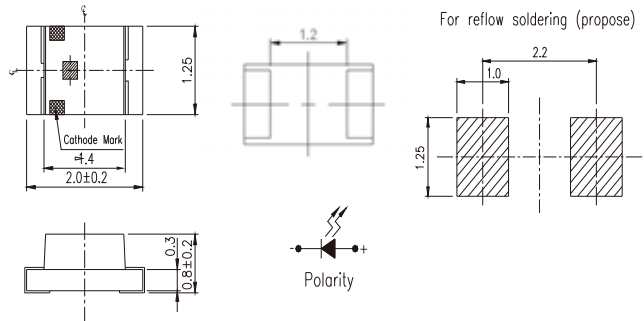


Product	Size (LxWxHmm)	Color	λ_d (nm)/CIE(x,y)	I_v Min./Typ. (mcd)	I_v Max. (mcd)	V_f Min./Typ. (V)	V_f Max. (V)	I_f (mA)
17-21/BHC-AN1P2/3T	2.0x1.25x1	Blue	470	28.5	72	3.5	4	20
17-21/BHC-AP1Q2/3T	2.0x1.25x1	Blue	470	45	112	2.7 / 3.3	3.7	20
17-21/BHC-XLMJY/3T	2.0x1.25x1	Blue	470	11.5	28.5	2.7	3.1	5
17-21/G6C-AN1P1B/3T	2.0x1.25x1	Brilliant Yellow Green	573	28.5	57	1.75	2.35	20
17-21/G6C-AP1Q1B/3T	2.0x1.25x1	Brilliant Yellow Green	573	45	90	1.75	2.35	20
17-21/G6C-FM1N2B/3T	2.0x1.25x1	Brilliant Yellow Green	573	18	45	1.75	2.35	20
17-21/G6C-FN1P2B/3T	2.0x1.25x1	Brilliant Yellow Green	573	28.5	72	1.75	2.35	20
17-21/G6C-FP1Q1B/3T	2.0x1.25x1	Brilliant Yellow Green	573	45	90	1.75	2.35	20
17-21/GHC-XS1T2M/3T	2.0x1.25x1	Brilliant Green	525	180	450	2.75	3.95	20
17-21/GHC-YR1S2/3T	2.0x1.25x1	Brilliant Green	525	112	285	3.5	4	20
17-21/GPC-AK0M1B/3T	2.0x1.25x1	Green	562	7.2	22.5	1.75	2.35	20
17-21/GVC-AMPB/3T	2.0x1.25x1	Green	565	18	72	1.75	2.35	20
17-21/R6C-AN2Q1B/3T	2.0x1.25x1	Brilliant Red	624	36	90	1.75	2.35	20
17-21/R6C-AP1Q2L/3T	2.0x1.25x1	Brilliant Red	624	45	112	1.7	2.3	20
17-21/R7C-AN2Q1B/3T	2.0x1.25x1	Deep Red	631	36	90	1.75	2.35	20
17-21/S2C-AN1P2B/3T	2.0x1.25x1	Brilliant Orange	605	28.5	72	1.75	2.35	20
17-21/S2C-AP1Q2B/3T	2.0x1.25x1	Brilliant Orange	605	45	112	1.75	2.35	20
17-21/T1D-ANPHY/3T	2.0x1.25x1	Pure White	x=0.274, y=0.226	28.5	72	2.7	3.15	5
17-21/T1D-CP2R1TY/3T	2.0x1.25x1	Pure White	x=0.274, y=0.226	57	140	2.6	3	5
17-21/T1D-KN2P2HY/3T	2.0x1.25x1	Pure White	x=0.274, y=0.226	36	72	2.7	3.15	5
17-21/Y2C-AN1P2/3T	2.0x1.25x1	Brilliant Yellow	589	28.5	72	1.7 / 2	2.4	20
17-21/Y2C-CN1P2B/3T	2.0x1.25x1	Brilliant Yellow	589	28.5	72	1.75	2.35	20
17-21/Y2C-CP2Q2B/3T	2.0x1.25x1	Brilliant Yellow	589	57	112	1.75	2.35	20

SMD LED | Surface Mount Chip LED (PCB) | Top View 0805



UNIT : mm



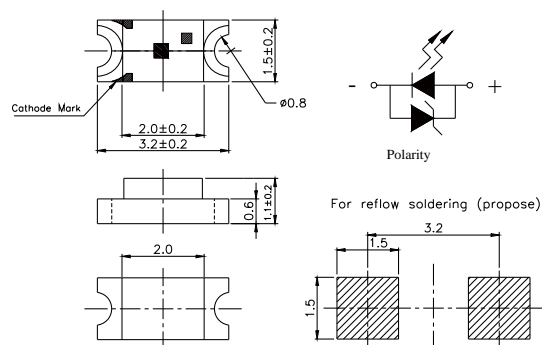
Product	Size (LxWxHmm)	Color	λ_d (nm)/CIE(x,y)	I_v Min./Typ. (mcd)	I_v Max. (mcd)	V_F Min./Typ. (V)	V_F Max. (V)	I_F (mA)
17-215/B6C-YP2R2/3T	2.0x1.25x0.8	Blue	470	57	180	2.7 / 3.0	3.7	20
17-215/BHC-AN1P2/3T	2.0x1.25x0.8	Blue	470	28.5	72	2.7 / 3.3	3.7	20
17-215/BHC-BP2Q2M/3T	2.0x1.25x0.8	Blue	470	57	112	2.75	3.95	20
17-215/G6C-BM1N2L/3T	2.0x1.25x0.8	Brilliant Yellow Green	573	18	45	1.7	2.3	20
17-215/G6C-FN2P2B/3T	2.0x1.25x0.8	Brilliant Yellow Green	573	36	72	1.75	2.35	20
17-215/R6C-AQ1R2B/3T	2.0x1.25x0.8	Brilliant Red	624	72	180	1.75	2.35	20
17-215/S2C-AQ1R2B/3T	2.0x1.25x0.8	Brilliant Orange	605	72	180	1.75	2.35	20
17-215/S2C-CP2R1B/3T	2.0x1.25x0.8	Brilliant Orange	605	57	140	1.75	2.35	20

SMD LED

SMD LED | Surface Mount Chip LED (PCB) | Top View 1206



UNIT : mm

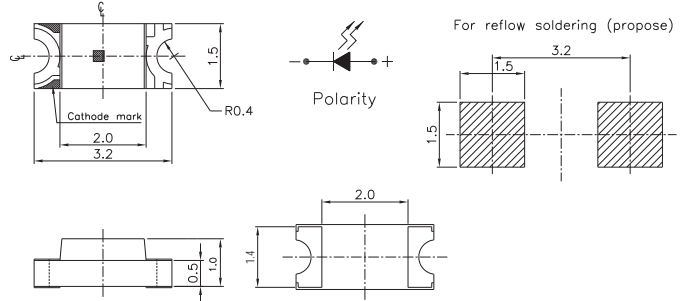


Product	Size (LxWxHmm)	Color	λ_d (nm)/CIE(x,y)	I_v Min./Typ. (mcd)	I_v Max. (mcd)	V_F Min./Typ. (V)	V_F Max. (V)	I_F (mA)
15-11/BHC-AN1P2/2T	3.2x1.5x1.0	Blue	470	28.5	72	2.7 / 3.3	3.7	20
15-11/BHC-ZL2N1QY/2T	3.2x1.5x1.0	Blue	470	14.5	36	2.7	3.2	5

SMD LED | Surface Mount Chip LED (PCB) | Top View 1206



UNIT : mm

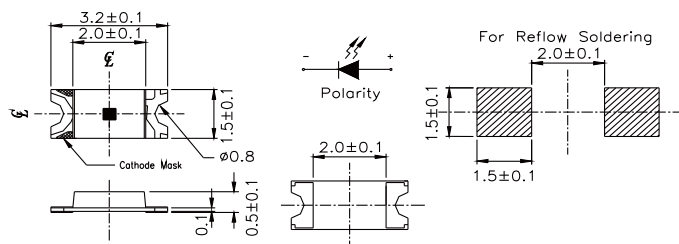


Product	Size (LxWxHmm)	Color	λ_d (nm)/CIE(x,y)	I_v Min./Typ. (mcd)	I_v Max. (mcd)	V_F Min./Typ. (V)	V_F Max. (V)	I_F (mA)
15-21/B6C-YR1S2B2/2T	3.2x1.5x1.0	● Blue	470	112	285	2.9	3.6	20
15-21/B6C-ZQ1R1N/2T	3.2x1.5x1.0	● Blue	470	72	140	2.7	3.7	20
15-21/BHC-AN1P2/2T	3.2x1.5x1.0	● Blue	470	28.5	72	2.7 / 3.3	3.7	20
15-21/G6C-BK1L2VY/2T	3.2x1.5x1.0	● Brilliant Yellow Green	573	7.2	18	1.7	2.2	5
15-21/G6C-FM1N2B/2T	3.2x1.5x1.0	● Brilliant Yellow Green	573	18	45	1.75	2.35	20
15-21/G6C-FP1Q1L/2T	3.2x1.5x1.0	● Brilliant Yellow Green	573	45	90	1.7	2.3	20
15-21/GHC-R2S2/2T	3.2x1.5x1.0	● Brilliant Green	525	140	285	2.7 / 3.3	3.7	20
15-21/GHC-YR1S1/2T	3.2x1.5x1.0	● Brilliant Green	525	112	225	3.5	3.7	20
15-21/R6C-AN1P2/2T	3.2x1.5x1.0	● Brilliant Red	624	28.5	72	1.7 / 2	2.4	20
15-21/R6C-FQ1R1B/2T	3.2x1.5x1.0	● Brilliant Red	624	72	140	1.75	2.35	20
15-21/S2C-AL2M2VY/2T	3.2x1.5x1.0	● Brilliant Orange	605	14.5	28.5	1.7	2.2	5
15-21/S2C-AQ2R2B/2T	3.2x1.5x1.0	● Brilliant Orange	605	90	180	1.75	2.35	20
15-21/S3C-AP1Q2/2T	3.2x1.5x1.0	● Reddish Orange	615	45	112	1.7 / 2.0	2.4	20
15-21/T1D-CP1Q2TY/2T	3.2x1.5x1.0	○ Pure White	x=0.274, y=0.226	45	112	2.6	3	5
15-21/T7D-JQ2S1PY/2T	3.2x1.5x1.0	○ Pure White	x=0.274, y=0.226	90	225	2.7	3.3	5
15-21/Y2C-AN1P2/2T	3.2x1.5x1.0	● Brilliant Yellow	589	28.5	72	1.7 / 2	2.4	20
15-21/Y2C-CP1Q2B/2T	3.2x1.5x1.0	● Brilliant Yellow	589	45	112	1.75	2.35	20

SMD LED



UNIT : mm

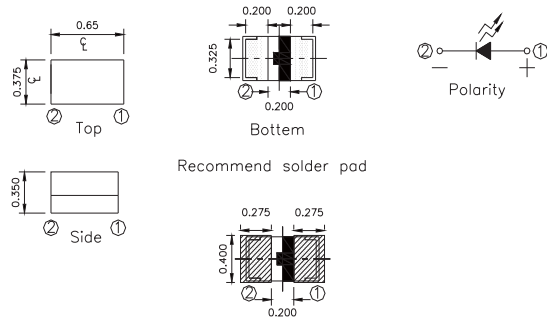


Product	Size (LxWxHmm)	Color	λ_d (nm)/CIE(x,y)	I_v Min./Typ. (mcd)	I_v Max. (mcd)	V_F Min./Typ. (V)	V_F Max. (V)	I_F (mA)
15-215/G7C-BN1P2B/2T	3.2x1.5x0.5	● Brilliant Yellow Green	573	28.5	72	1.75	2.35	20
15-215/R6C-AM2P1VY/2T	3.2x1.5x0.5	● Brilliant Red	624	22.5	57	1.7	2.2	5
15-215/R6C-AP1Q1L/2T	3.2x1.5x0.5	● Brilliant Red	624	45	90	1.7	2.3	20

SMD LED | Surface Mount Chip LED (PCB) | Top View Mono Color



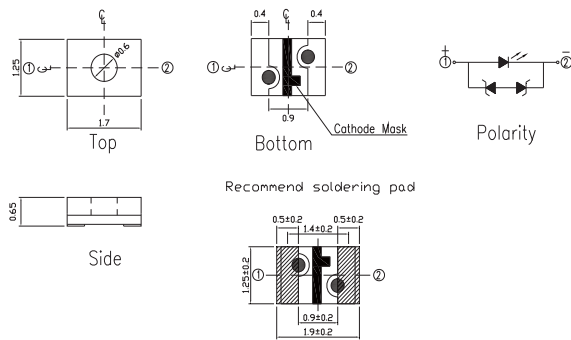
UNIT : mm



Product	Size (LxWxHmm)	Color	λ_d (nm)/CIE(x,y)	I_v Min./Typ. (mcd)	I_v Max. (mcd)	V_F Min./Typ. (V)	V_F Max. (V)	I_F (mA)
18-218/T1D-AN2Q1B3X/6T	0.65x0.375x0.35	○ White	0.274,0.226	36	90	2.5	2.9	2



UNIT : mm

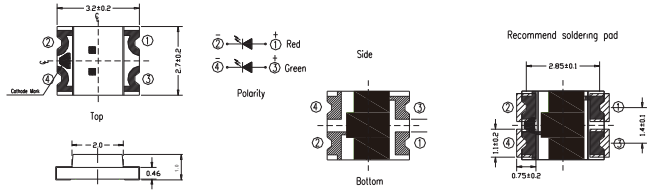


Product	Size (LxWxHmm)	Color	λ_d (nm)/CIE(x,y)	I_v Min./Typ. (mcd)	I_v Max. (mcd)	V_F Min./Typ. (V)	V_F Max. (V)	I_F (mA)
63-119-BHD-ZM1N2TY-3T	1.7x1.25x0.65	● Blue	470	18	45	2.6	3	5
63-119-T1D-AN2Q1TY-3T	1.7x1.25x0.65	○ White	0.274,0.226	36	90	2.6	3	5

SMD LED | Surface Mount Chip LED (PCB) | Top View Bi-Color



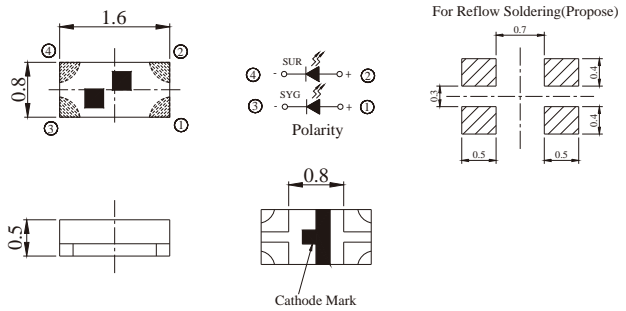
UNIT : mm



Product	Size (LxWxHmm)	Color	λ_d (nm)/ CIE(x,y)	I_v Min./Typ. (mcd)	I_v Max. (mcd)	V_F Min./Typ. (V)	V_F Max. (V)	I_F (mA)
15-22/R6G6C-A32/2T	3.2x2.7x1.0	<ul style="list-style-type: none"> ● Brilliant Red ● Brilliant Yellow Green 	R6 : 624 G6 : 573	R6 : 28.5 G6 : 28.5	R6 : 72 G6 : 72	R6 : 1.7 / 2 G6 : 1.7 / 2	R6 : 2.4 G6 : 2.4	20
15-22/R6GHC-A01/2T	3.2x2.7x1.0	<ul style="list-style-type: none"> ● Brilliant Red ● Brilliant Green 	R6 : 624 GH : 525	R6 : 90 / 130 GH : 112 / 165	--	R6 : 1.7 / 2 GH : 2.7 / 3.3	R6 : 2.4 GH : 3.7	20



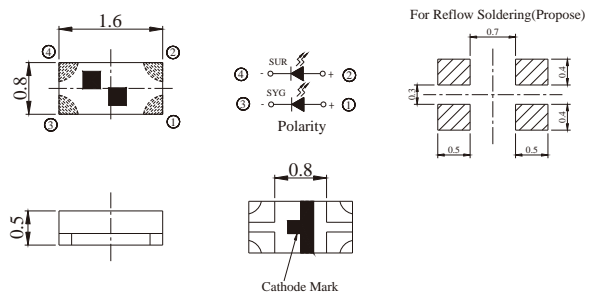
UNIT : mm



Product	Size (LxWxHmm)	Color	λ_d (nm)/ CIE(x,y)	I_v Min./Typ. (mcd)	I_v Max. (mcd)	V_F Min./Typ. (V)	V_F Max. (V)	I_F (mA)
18-225/B6R6C-C01/3T	1.6x0.8x0.5	<ul style="list-style-type: none"> ● Blue ● Brilliant Red 	B6 : 470 R6 : 624	B6 : 18 / 28.5 R6 : 18 / 28.5	-	B6 : 2.7 / 3.3 R6 : 1.7 / 2.0	B6 : 3.7 R6 : 2.4	5
18-225/R6G6C-A01/3T	1.6x0.8x0.5	<ul style="list-style-type: none"> ● Brilliant Red ● Brilliant Yellow Green 	R6 : 624 G6 : 573	R6 : 45 G6 : 28.5	R6 : 112 G6 : 72	R6 : 1.7 / 2 G6 : 1.7 / 2	R6 : 2.4 G6 : 2.4	20
18-225/S2G6C-A01/3T	1.6x0.8x0.5	<ul style="list-style-type: none"> ● Brilliant Orange ● Brilliant Yellow Green 	S2 : 605 G6 : 573	S2 : 32 / 48 G6 : 16 / 24	-	S2 : 1.7 / 2 G6 : 1.7 / 2	S2 : 2.4 G6 : 2.4	20



UNIT : mm

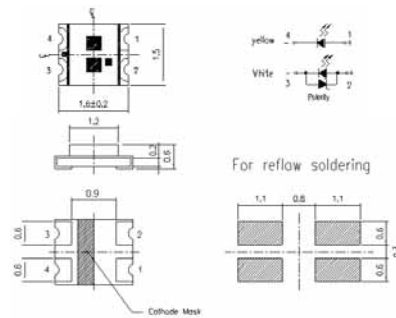


Product	Size (LxWxHmm)	Color	λ_d (nm)/ CIE(x,y)	I_v Min./Typ. (mcd)	I_v Max. (mcd)	V_F Min./Typ. (V)	V_F Max. (V)	I_F (mA)
18-225A/R6GHW-B01/3T	1.6x0.8x0.5	<ul style="list-style-type: none"> ● Brilliant Red ● Brilliant Green 	R6 : 624 GH : 525	R6 : 28.5 GH : 72	R6 : 72 GH : 180	R6 : 1.7 / 2 GH : 2.7 / 3.3	R6 : 2.4 GH : 3.7	10

SMD LED | Surface Mount Chip LED (PCB) | Top View Bi-Color



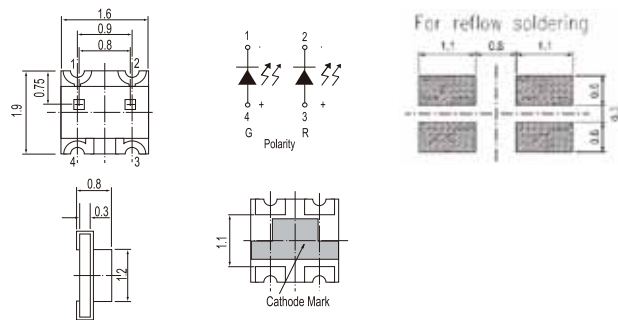
UNIT : mm



Product	Size (LxWxHmm)	Color	λ_d (nm)/CIE(x,y)	I_V Min./Typ. (mcd)	I_V Max. (mcd)	V_F Min./Typ. (V)	V_F Max. (V)	I_F (mA)
19-123/Y2ST1D-C30/2T	1.6x1.5x0.6	● Brilliant Yellow ○ Pure White	Y2S : 589 x=0.274, y=0.226	Y2S : 28.5 T1 : 45	Y2S : 72 T1 : 112	Y2S : 1.7 / 2 T1 : 2.7 / 3.3	Y2S : 2.4 T1 : 3.7	5

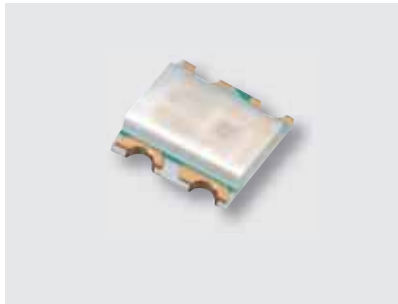


UNIT : mm

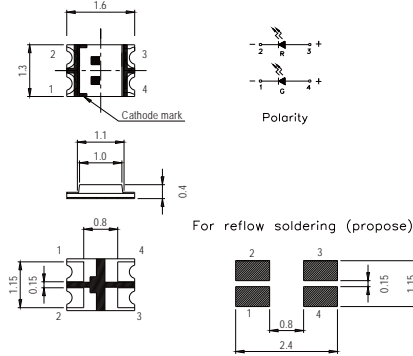


Product	Size (LxWxHmm)	Color	λ_d (nm)/CIE(x,y)	I_V Min./Typ. (mcd)	I_V Max. (mcd)	V_F Min./Typ. (V)	V_F Max. (V)	I_F (mA)
19-22/G6R6C-A31/2T	1.9x1.6x0.8	● Brilliant Yellow Green ● Brilliant Red	G6 : 573 R6 : 624	G6 : 22.5 R6 : 45	G6 : 57 R6 : 90	G6 : 1.7 / 2 R6 : 1.7 / 2	G6 : 2.4 R6 : 2.4	20
19-22/R6BHC-B01/2T	1.9x1.6x0.8	● Brilliant Red ● Blue	R6 : 624 BH : 470	R6 : 14.5 / 20 BH : 14.5 / 20	--	R6 : 1.9 BH : 2.9	R6 : 2.3 BH : 3.3	10
19-22/R6G6C-A01/2T	1.9x1.6x0.8	● Brilliant Red ● Brilliant Yellow Green	R6 : 624 G6 : 573	R6 : 45 G6 : 45	R6 : 72 G6 : 72	R6 : 1.7 / 2 G6 : 1.7 / 2	R6 : 2.4 G6 : 2.4	20
19-22/R6GHC-C02/2T	1.9x1.6x0.8	● Brilliant Red ● Brilliant Green	R6 : 624 GH : 525	R6 : 14.5 / 20 GH : 45 / 65	--	R6 : 1.9 GH : 2.9	R6 : 2.3 GH : 3.4	5
19-22/Y2G6C-A14/2T	1.9x1.6x0.8	● Brilliant Yellow ● Brilliant Yellow Green	Y2 : 589 G6 : 573	Y2 : 45 G6 : 28.5	Y2 : 112 G6 : 72	Y2 : 1.7 / 2 G6 : 1.7 / 2	Y2 : 2.4 G6 : 2.4	20

SMD LED | Surface Mount Chip LED (PCB) | Top View Bi-Color



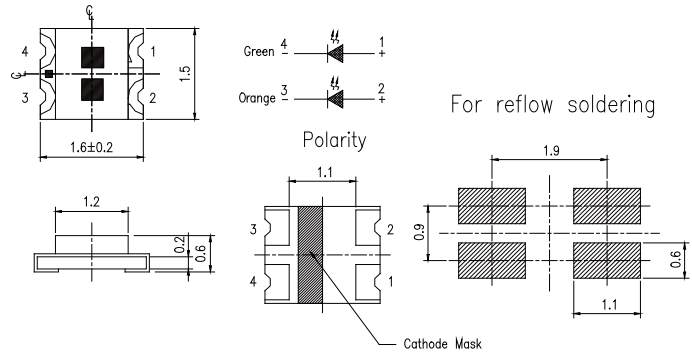
UNIT : mm



Product	Size (LxWxHmm)	Color	λ_d (nm)/CIE(x,y)	I_v Min./Typ. (mcd)	I_v Max./Typ. (mcd)	V_F Min./Typ. (V)	V_F Max. (V)	I_F (mA)
19-226/R6BHC-B01/2T	1.6x1.3x0.4	● Brilliant Red ● Blue	R6 : 624 BH : 470	R6 : 72 BH : 45	Typ. R6 : 100 BH : 80	R6 : 1.7 / 2 BH : 2.7 / 3.3	R6 : 2.4 BH : 3.7	10
19-226/R6G7C-B02/2T	1.6x1.3x0.4	● Brilliant Red ● Brilliant Yellow Green	R6 : 624 G7 : 573	R6 : 22.5 G7 : 7.2	Max. R6 : 57 G7 : 18	R6 : 1.7 / 2 G7 : 1.7 / 2	R6 : 2.4 G7 : 2.4	10
19-226/R6GHC-A03/2T	1.6x1.3x0.4	● Brilliant Red ● Brilliant Green	R6 : 624 GH : 525	R6 : 72 GH : 112	Max. R6 : 140 GH : 225	R6 : 1.7 / 2 GH : 2.7 / 3.3	R6 : 2.4 GH : 3.7	20



UNIT : mm

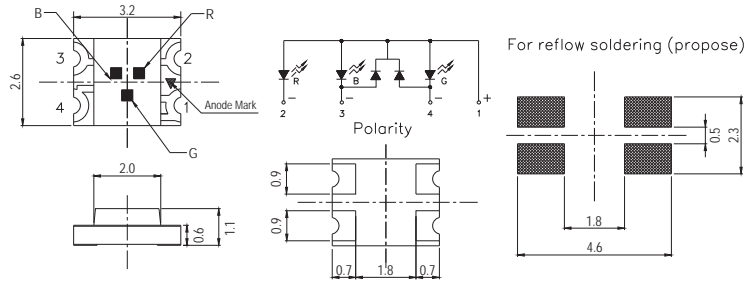


Product	Size (LxWxHmm)	Color	λ_d (nm)/CIE(x,y)	I_v Min./Typ. (mcd)	I_v Max. (mcd)	V_F Min./Typ. (V)	V_F Max. (V)	I_F (mA)
19-223/G6S2C-A01/2T	1.6x1.5x0.6	● Brilliant Yellow Green ● Brilliant Orange	G6 : 573 S2 : 605	G6 : 30 S2 : 90	G6 : 60 S2 : 180	G6 : 2 S2 : 2	G6 : 2.4 S2 : 2.4	20
19-223/R6BHC-A05/2T	1.6x1.5x0.6	● Brilliant Red ● Blue	R6 : 624 BH : 470	R6 : 72 BH : 36	R6 : 180 BH : 72	R6 : 1.7 / 2 BH : 2.7 / 3.3	R6 : 2.4 BH : 3.7	20
19-223/R6G6C-A01/2T	1.6x1.5x0.6	● Brilliant Red ● Brilliant Yellow Green	R6 : 624 G6 : 573	R6 : 72 G6 : 22.5	R6 : 180 G6 : 57	R6 : 1.7 / 2 G6 : 1.7 / 2	R6 : 2.4 G6 : 2.4	20
19-223/R7BHC-A30/2T	1.6x1.5x0.6	● Dark Red ● Blue	R7 : 631 BH : 470	R7 : 45 BH : 36	R7 : 112 BH : 90	R7 : 1.7 / 2 BH : 2.7 / 3.3	R7 : 2.4 BH : 2.7 / 3.7	20
19-223/R7G6C-A01/2T	1.6x1.5x0.6	● Dark Red ● Brilliant Yellow Green	R7 : 631 G6 : 573	R7 : 18 G6 : 18	R7 : 72 G6 : 72	R7 : 2 G6 : 2	R7 : 2.4 G6 : 2.4	20
19-223/S2BHC-A01/2T	1.6x1.5x0.6	● Brilliant Orange ● Blue	S2 : 605 BH : 470	S2 : 72 BH : 36	S2 : 140 BH : 72	S2 : 1.7 / 2 BH : 3	S2 : 2.4 BH : 3.5	20
19-223/S2T1D-C30/2T	1.6x1.5x0.6	● Brilliant Orange ○ Pure White	S2 : 605 x=0.274, y=0.226	S2 : 18 T1 : 45	S2 : 45 T1 : 112	S2 : 1.55 T1 : 2.7	S2 : 2.15 T1 : 3.3	5
19-223/Y2G6C-A01/2T	1.6x1.5x0.6	● Brilliant Yellow ● Brilliant Yellow Green	Y2 : 589 G6 : 573	Y2 : 36 G6 : 28.5	Y2 : 72 G6 : 57	Y2 : 1.7 / 2 G6 : 1.7 / 2	Y2 : 2.4 G6 : 2.4	20

SMD LED | Surface Mount Chip LED (PCB) | Top View Full Color



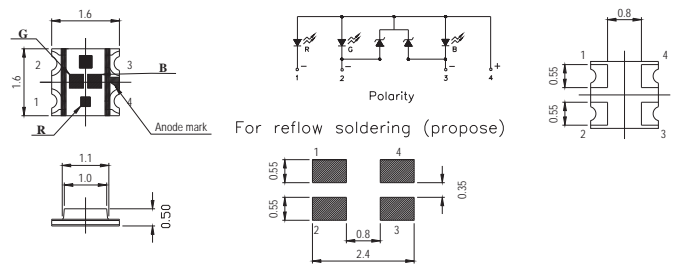
UNIT : mm



Product	Size (LxWxHmm)	Color	λ_d (nm)/ CIE(x,y)	I_V Min./Typ. (mcd)	I_V Max. (mcd)	V_F Min./Typ. (V)	V_F Max. (V)	I_F (mA)
15-13D/R6GHBHC-A01/2T	3.2x2.6x1.1	<ul style="list-style-type: none"> ● Brilliant Red ● Brilliant Green ● Blue 	R6 : 624 GH : 525 BH : 470	R6 : 90 / 140 GH : 112 / 180 BH : 45 / 70	--	R6 : 1.7 / 2 GH : 2.7 / 3.3 BH : 2.7 / 3.3	R6 : 2.4 GH : 3.7 BH : 3.7	20



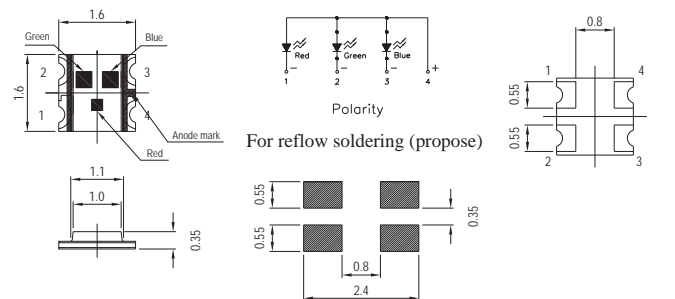
UNIT : mm



Product	Size (LxWxHmm)	Color	λ_d (nm)/ CIE(x,y)	I_V Min./Typ. (mcd)	I_V Max. (mcd)	V_F Min./Typ. (V)	V_F Max. (V)	I_F (mA)
19-137/R6GHBHC-A01/2T	1.6x1.6x0.5	<ul style="list-style-type: none"> ● Brilliant Red ● Brilliant Green ● Blue 	R6 : 624 GH : 525 BH : 470	R6 : 72 / 100 GH : 112 / 180 BH : 28.5 / 50	--	R6 : 1.7 / 2 GH : 2.7 / 3.3 BH : 2.7 / 3.3	R6 : 2.4 GH : 3.7 BH : 3.7	20



UNIT : mm

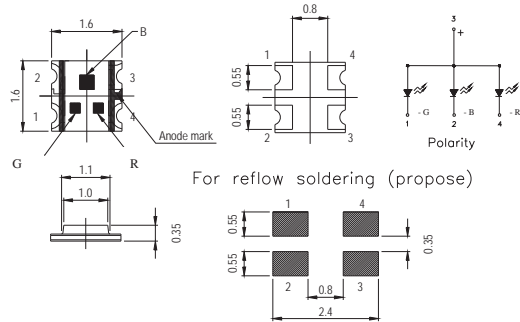


Product	Size (LxWxHmm)	Color	λ_d (nm)/ CIE(x,y)	I_V Min./Typ. (mcd)	I_V Max. (mcd)	V_F Min./Typ. (V)	V_F Max. (V)	I_F (mA)
19-237/R6GHBHC-A04/2T	1.6x1.6x0.35	<ul style="list-style-type: none"> ● Brilliant Red ● Brilliant Green ● Blue 	R6 : 624 GH : 525 BH : 470	R6 : 18 / 30 GH : 28.5 / 60 BH : 11.5 / 18	--	R6 : 1.9 GH : 2.6 BH : 2.6	R6 : 2.2 GH : 3 BH : 3	20

SMD LED | Surface Mount Chip LED (PCB) | Top View Full Color



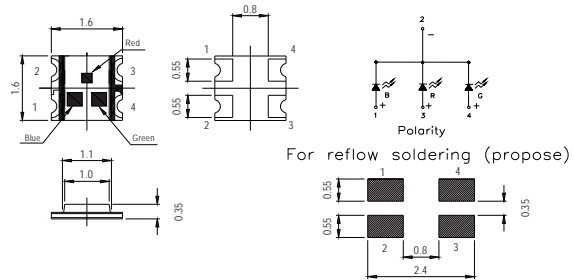
UNIT : mm



Product	Size (LxWxHmm)	Color	λ_d (nm)/CIE(x,y)	I_v Min./Typ. (mcd)	I_v Max. (mcd)	V_F Min./Typ. (V)	V_F Max. (V)	I_F (mA)
19-237A/BHR6GHC-A01/2T	1.6x1.6x0.35	<ul style="list-style-type: none"> ● Blue ● Brilliant Red ● Brilliant Green 	BH : 470 R6 : 624 GH : 525	BH : 28.5 / 50 R6 : 72 / 100 GH : 112 / 180	-	BH : 3.3 R6 : 2 GH : 3.3	BH : 3.9 R6 : 2.4 GH : 3.9	20



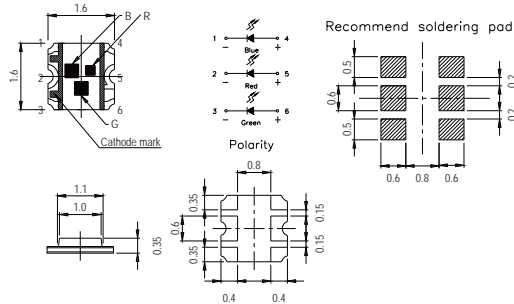
UNIT : mm



Product	Size (LxWxHmm)	Color	λ_d (nm)/CIE(x,y)	I_v Min./Typ. (mcd)	I_v Max. (mcd)	V_F Min./Typ. (V)	V_F Max. (V)	I_F (mA)
19-237B/R6GHBHC-C01/2T	1.6x1.6x0.35	<ul style="list-style-type: none"> ● Brilliant Red ● Brilliant Green ● Blue 	R6 : 624 GH : 525 BH : 470	R6 : 18 / 30 GH : 28.5 / 60 BH : 11.5 / 18	R6 : 57 GH : 112 BH : 28.5	R6 : 1.7 / 2 GH : 2.6 / 3 BH : 2.6 / 3	R6 : 2.2 GH : 3.3 BH : 3.3	5



UNIT : mm

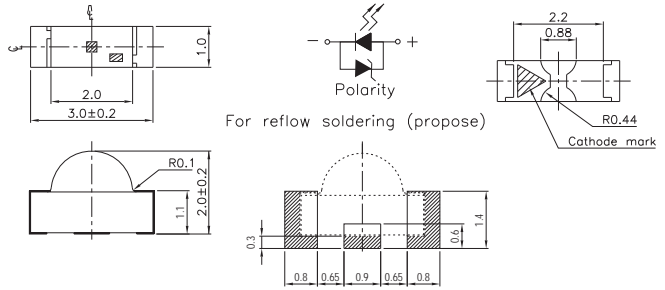


Product	Size (LxWxHmm)	Color	λ_d (nm)/CIE(x,y)	I_v Min./Typ. (mcd)	I_v Max. (mcd)	V_F Min./Typ. (V)	V_F Max. (V)	I_F (mA)
19-337/R6GHBHC-A01/2T	1.6x1.6x0.35	<ul style="list-style-type: none"> ● Brilliant Red ● Brilliant Green ● Blue 	R6 : 624 GH : 525 BH : 470	R6 : 72 / 100 GH : 140 / 180 BH : 36 / 50	--	R6 : 2.0 GH : 3.3 BH : 3.3	R6 : 2.4 GH : 3.9 BH : 3.9	20

SMD LED | Surface Mount Chip LED (PCB) | Side View (0.2T~1.0T)



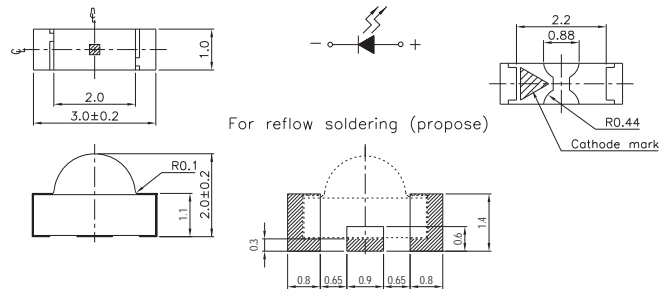
UNIT : mm



Product	Size (LxWxHmm)	Color	λ_d (nm)/CIE(x,y)	I_V Min./Typ. (mcd)	I_V Max. (mcd)	V_F Min./Typ. (V)	V_F Max. (V)	I_F (mA)
12-11/BHC-ZL1M2QY/2C	3x2x1	● Blue	470	11.5	28.5	2.7	3.2	5



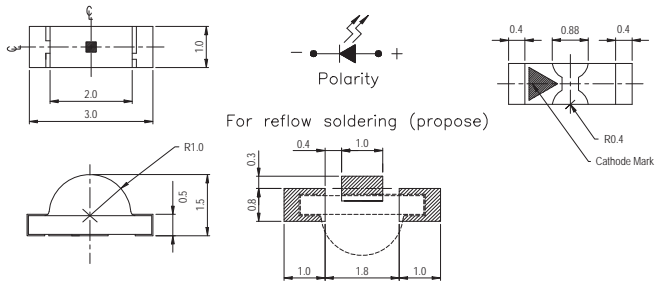
UNIT : mm



Product	Size (LxWxHmm)	Color	λ_d (nm)/CIE(x,y)	I_V Min./Typ. (mcd)	I_V Max. (mcd)	V_F Min./Typ. (V)	V_F Max. (V)	I_F (mA)
12-21/BHC-AN1P2/2C	3x2x1	● Blue	470	28.5	72	2.7 / 3.3	3.7	20
12-21/BHC-ZL1M2RY/2C	3x2x1	● Blue	470	11.5	28.5	2.5	3.1	5
12-21/GHC-YR2S2/2C	3x2x1	● Brilliant Green	525	140	285	3.5	4.3	20
12-21/R8C-AN1P2B/2D	3x2x1	● Deep Red	639	28.5	72	1.75	2.35	20
12-21/T3D-AQ2S2M/2C	3x2x1	○ Pure White	x=0.274, y=0.226	90	285	2.75	3.95	20



UNIT : mm

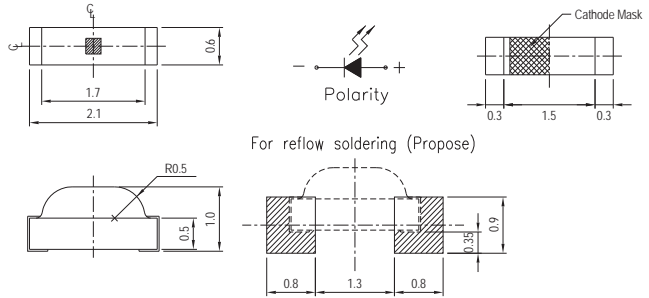


Product	Size (LxWxH mm)	Color	λ_d (nm)/CIE(x,y)	I_V Min./Typ. (mcd)	I_V Max. (mcd)	V_F Min./Typ. (V)	V_F Max. (V)	I_F (mA)
12-21C/BHC-AN1P2/2C	3x1.5x1	● Blue	470	28.5	72	2.7 / 3.3	3.7	20
12-21C/BHC-YL1M2HY/2C	3x1.5x1	● Blue	470	11.5	28.5	2.7	3.15	5
12-21C/T3D-CP1Q2B12Y/2C	3x1.5x1	○ Pure White	x=0.274, y=0.226	45	112	2.7	3.4	5

SMD LED | Surface Mount Chip LED (PCB) | Side View (0.2T~1.0T)



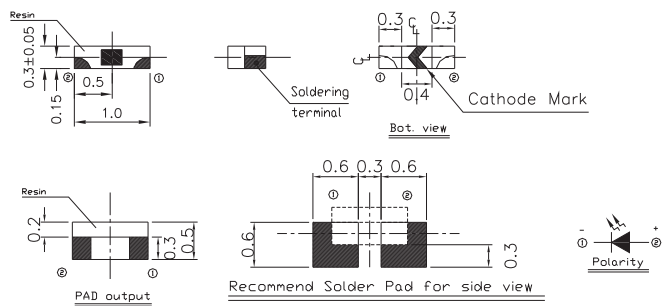
UNIT : mm



Product	Size (LxWxHmm)	Color	λ_d (nm)/CIE(x,y)	I_v Min./Typ. (mcd)	I_v Max. (mcd)	V_F Min./Typ. (V)	V_F Max. (V)	I_F (mA)
12-215/BHC-AN1P2/3C	2.1x1x0.6	● Blue	470	28.5	72	3.5	4	20
12-215/BHC-XL1M2HY/3C	2.1x1x0.6	● Blue	470	11.5	28.5	2.7	3.15	5
12-215/G6C-AL2M2B/3C	2.1x1x0.6	● Brilliant Yellow Green	573	14.5	28.5	1.75	2.35	20
12-215/G6C-BP1Q2L/3C	2.1x1x0.6	● Brilliant Yellow Green	573	45	112	1.7	2.3	20
12-215/R6C-AR1S1B/3C	2.1x1x0.6	● Brilliant Red	624	112	225	1.75	2.35	20
12-215/T1D-ANPHY/3C	2.1x1x0.6	○ Pure White	x=0.274, y=0.226	28.5	72	2.7	3.15	5
12-215/Y2C-BR1S1L/3C	2.1x1x0.6	● Brilliant Yellow	589	112	225	1.7	2.3	20
12-215/Y2C-CP1Q2B/3C	2.1x1x0.6	● Brilliant Yellow	589	45	112	1.75	2.35	20
12-215/Y2C-CQ1R1B/3C	2.1x1x0.6	● Brilliant Yellow	589	72	140	1.75	2.35	20



UNIT : mm

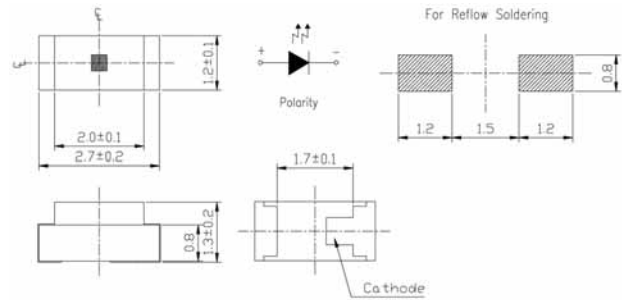


Product	Size (LxWxHmm)	Color	λ_d (nm)/CIE(x,y)	I_v Min./Typ. (mcd)	I_v Max. (mcd)	V_F Min./Typ. (V)	V_F Max. (V)	I_F (mA)
16-916/T1D-AP1Q2QY/3T	1x0.5x0.3	○ Pure White	x=0.274, y=0.226	45	112	2.7	3.2	5

SMD LED | Surface Mount Chip LED (PCB) | Side View (0.2T~1.0T)



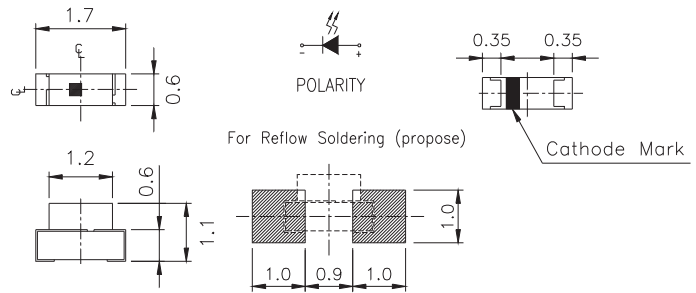
UNIT : mm



Product	Size (LxWxH mm)	Color	λ_d (nm)/CIE(x,y)	I_v Min./Typ. (mcd)	I_v Max. (mcd)	V_F Min./Typ. (V)	V_F Max. (V)	I_F (mA)
22-21/BHC-AN1P2/2C	2.7x1.3x1.2	Blue	470	28.5	72	3.8	4.5	20
22-21/GHC-YR1S2/2C	2.7x1.3x1.2	Brilliant Green	525	112	285	2.7 / 3.3	3.7	20



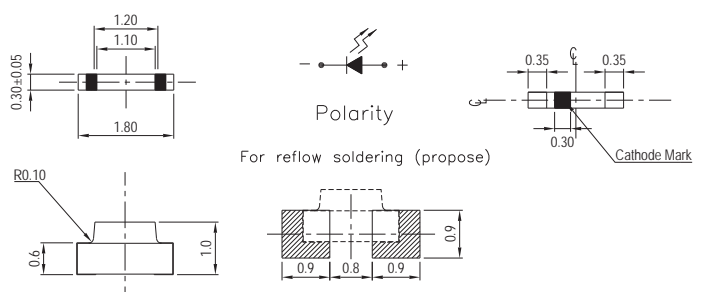
UNIT : mm



Product	Size (LxWxH mm)	Color	λ_d (nm)/CIE(x,y)	I_v Min./Typ. (mcd)	I_v Max. (mcd)	V_F Min./Typ. (V)	V_F Max. (V)	I_F (mA)
27-21/BHC-AN1P2/3C	1.7x1.1x0.6	Blue	470	28.5	72	2.7 / 3.3	3.7	20
27-21/BHC-AP1Q2/3C	1.7x1.1x0.6	Blue	470	45	112	2.7 / 3.3	3.7	20
27-21/GHC-YR1S2M/3C	1.7x1.1x0.6	Brilliant Green	525	112	285	2.75	3.95	20
27-21/R6C-AP1Q2B/3C	1.7x1.1x0.6	Brilliant Red	624	45	112	1.75	2.35	20
27-21/T1D-ANPHY/3C	1.7x1.1x0.6	Pure White	x=0.274, y=0.226	28.5	72	2.7	3.15	5
27-21/T1D-CQ1R2NW/3C	1.7x1.1x0.6	Pure White	x=0.274, y=0.226	72	180	2.7	3.7	15
27-21/T3D-AP2Q2HY/3C	1.7x1.1x0.6	Pure White	x=0.274, y=0.226	57	112	2.7	3.15	5
27-21/Y2C-CPQB/3D	1.7x1.1x0.6	Brilliant Yellow	589	45	112	1.75	2.35	20



UNIT : mm

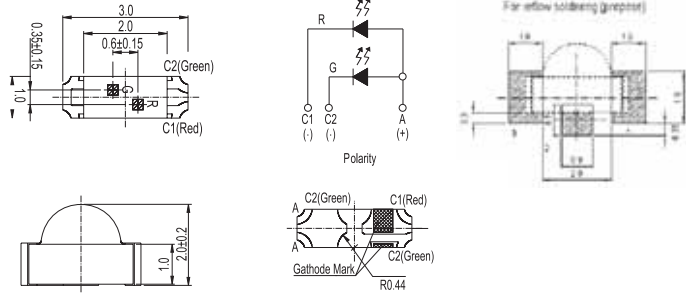


Product	Size (LxWxH mm)	Color	λ_d (nm)/CIE(x,y)	I_v Min./Typ. (mcd)	I_v Max. (mcd)	V_F Min./Typ. (V)	V_F Max. (V)	I_F (mA)
48-213/BHC-ZM2P1QY/3C	1.8x1.0x0.3	Blue	470	22.5	57	2.7	3.2	5
48-213/R6C-AM1N2VY/3C	1.8x1.0x0.3	Brilliant Red	624	18	45	1.7	2.2	5
48-213/T2D-AQ2R2QY/3C	1.8x1.0x0.3	Pure White	x=0.274, y=0.226	90	180	2.7	3.2	5
48-213/T3D-AP1Q2TY/3C	1.8x1.0x0.3	Pure White	x=0.274, y=0.226	45	112	2.6	3	5
48-213/T7D-AQ1R2QY/3C	1.8x1.0x0.3	Pure White	x=0.274, y=0.226	72	180	2.7	3.2	5

SMD LED | Surface Mount Chip LED (PCB) | Side View Bi-Color



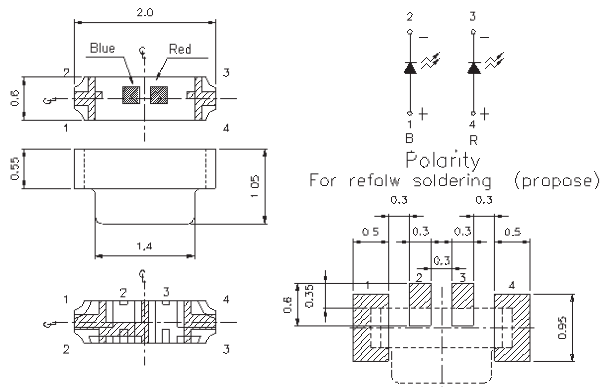
UNIT : mm



Product	Size (LxWxHmm)	Color	λ_d (nm)/ CIE(x,y)	I_v Min./Typ. (mcd)	I_v Max. (mcd)	V_F Min./Typ. (V)	V_F Max. (V)	I_F (mA)
12-22/BHR6C-A01/2C	3.0x2.0x1.0	<ul style="list-style-type: none"> ● Blue ● Brilliant Red 	BH : 470 R6 : 624	BH : 18 / 28 R6 : 22.5 / 30	--	BH : 2.7 R6 : 1.7	BH : 3.1 R6 : 2.2	20
12-22/G6R8C-A30/2C	3.0x2.0x1.0	<ul style="list-style-type: none"> ● Brilliant Yellow Green ● Deep Red 	G6 : 573 R8 : 639	G6 : 28.5 R8 : 28.5	G6 : 72 R8 : 72	G6 : 1.7 / 2 R8 : 1.7 / 2	G6 : 2.4 R8 : 2.4	20
12-22/R6GHC-A30/2C	3.0x2.0x1.0	<ul style="list-style-type: none"> ● Brilliant Red ● Brilliant Green 	R6 : 624 GH : 525	R6 : 72 GH : 112	R6 : 180 GH : 285	R6 : 1.7 / 2 GH : 2.7 / 3.3	R6 : 2.4 GH : 3.7	20
12-22/Y2G6C-A30/2C	3.0x2.0x1.0	<ul style="list-style-type: none"> ● Brilliant Yellow ● Brilliant Yellow Green 	Y2 : 589 G6 : 573	Y2 : 45 G6 : 28.5	Y2 : 112 G6 : 72	Y2 : 1.7 / 2 G6 : 1.7 / 2	Y2 : 2.4 G6 : 2.4	20



UNIT : mm

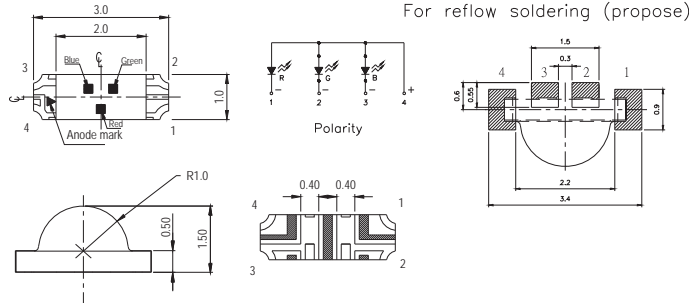


Product	Size (LxWxHmm)	Color	λ_d (nm)/ CIE(x,y)	I_v Min./Typ. (mcd)	I_v Max. (mcd)	V_F Min./Typ. (V)	V_F Max. (V)	I_F (mA)
17-223/BHR7C-C30/3C	2.0x1.05x0.6	<ul style="list-style-type: none"> ● Blue ● Dark Red 	BH : 470 R7 : 631	BH : 22.5 R7 : 14.5	BH : 57 R7 : 36	BH : 2.7 R7 : 1.55	BH : 3.2 R7 : 2.15	5

SMD LED | Surface Mount Chip LED (PCB) | Side View Full Color



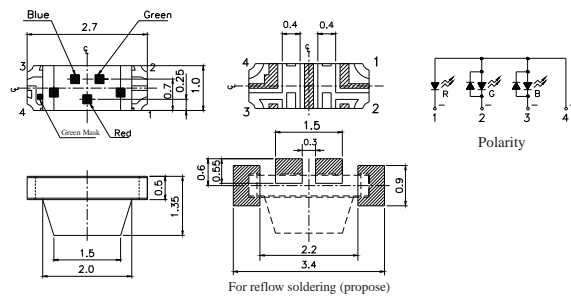
UNIT : mm



Product	Size (LxWxHmm)	Color	λ_d (nm)/ CIE(x,y)	I_V Min./Typ. (mcd)	I_V Max. (mcd)	V_F Min./Typ. (V)	V_F Max. (V)	I_F (mA)
12-23C/R6GHBHC-A01/2C	3.0x1.5x1.0	● Brilliant Red	R6 : 624	R6 : 63 / 90	--	R6 : 2	R6 : 2.4	20
		● Brilliant Green	GH : 525	GH : 125 / 180		GH : 3.3	GH : 3.9	
		● Blue	BH : 470	BH : 32 / 50		BH : 3.3	BH : 3.9	
12-23C/S2GHBHC-A01/2C	3.0x1.5x1.0	● Brilliant Orange	BH : 470	BH : 36 / 65	--	BH : 3.3	BH : 3.9	20
		● Brilliant Green	GH : 525	GH : 140 / 210		GH : 3.3	GH : 3.9	
		● Blue	S2 : 605	S2 : 72 / 140		S2 : 2	S2 : 2.4	



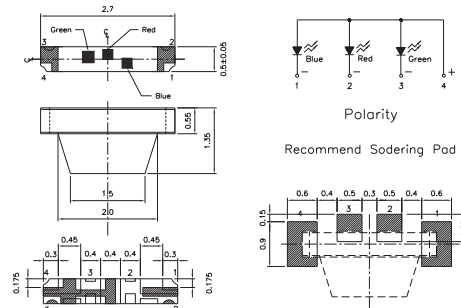
UNIT : mm



Product	Size (LxWxHmm)	Color	λ_d (nm)/ CIE(x,y)	I_V Min./Typ. (mcd)	I_V Max. (mcd)	V_F Min./Typ. (V)	V_F Max. (V)	I_F (mA)
22-23/R6GHBHC-A01/2C	2.7x1.35x1.0	● Brilliant Red	R6 : 624	R6 : 45 / 180	--	R6 : 1.7 / 2	R6 : 2.4	20
		● Brilliant Green	GH : 525	GH : 112 / 450		GH : 2.7 / 3.3	GH : 3.7	
		● Blue	BH : 470	BH : 28.5 / 112		BH : 2.7 / 3.3	BH : 3.7	



UNIT : mm

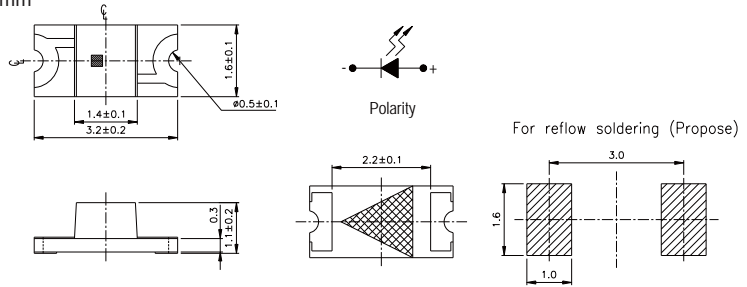


Product	Size (LxWxHmm)	Color	λ_d (nm)/ CIE(x,y)	I_V Min./Typ. (mcd)	I_V Max. (mcd)	V_F Min./Typ. (V)	V_F Max. (V)	I_F (mA)
22-23C/R6GHBHW-C01/2C	2.7x1.35x0.5	● Brilliant Red	R6 : 624	R6 : 14.5	R6 : 36	R6 : 1.7 / 1.85	R6 : 2	5
		● Brilliant Green	GH : 525	GH : 35	GH : 110	GH : 2.7 / 2.9	GH : 3.2	
		● Blue	BH : 470	BH : 10	BH : 24.5	BH : 2.7 / 2.9	BH : 3.1	

SMD LED | Surface Mount Chip LED (PCB) | Reverse Mount



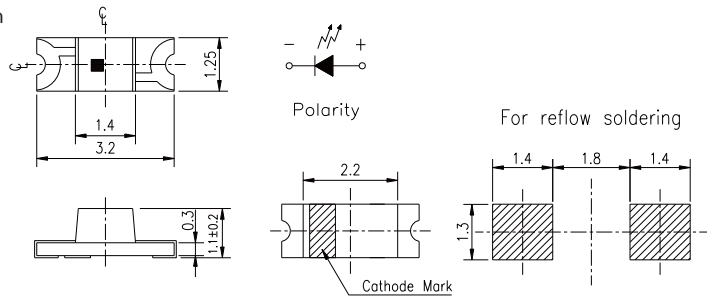
UNIT : mm



Product	Size (LxWxHmm)	Color	λ_d (nm)/CIE(x,y)	I_v Min./Typ. (mcd)	I_v Max. (mcd)	V_F Min./Typ. (V)	V_F Max. (V)	I_F (mA)
23-21/G6C-AL2N1/2T	3.2x1.6x1.1	● Brilliant Yellow Green	573	14.5	36	1.7 / 2	2.4	20
23-21/GHC-YR2T1/2A	3.2x1.6x1.1	● Brilliant Green	525	140	360	3.5	3.9	20
23-21/R6C-AM1N2AY/2A	3.2x1.6x1.1	● Brilliant Red	624	18	45	1.55	2.15	5
23-21/R8C-AN2Q1B/2T	3.2x1.6x1.1	● Deep Red	639	36	90	1.75	2.35	20



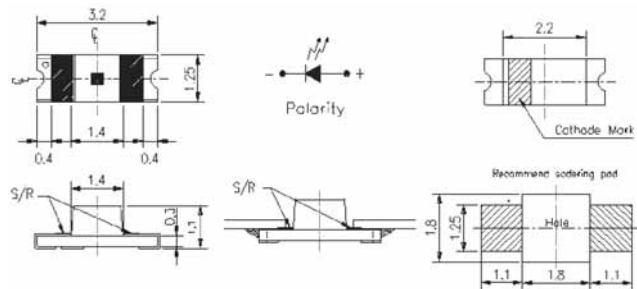
UNIT : mm



Product	Size (LxWxHmm)	Color	λ_d (nm)/CIE(x,y)	I_v Min./Typ. (mcd)	I_v Max. (mcd)	V_F Min./Typ. (V)	V_F Max. (V)	I_F (mA)
23-21B/BHC-AN1P2/2A	3.2x1.25x1.1	● Blue	470	28.5	72	3.5	4	20
23-21B/BHC-ZM1N2TY/2A	3.2x1.25x1.1	● Blue	470	18	45	2.6	3	5
23-21B/G6C-AM2P1/2A	3.2x1.25x1.1	● Brilliant Yellow Green	573	22.5	57	1.7 / 2	2.4	20
23-21B/S2C-AP1Q2B/2A	3.2x1.25x1.1	● Brilliant Orange	605	45	112	1.75	2.35	20
23-21B/T1D-ANQHY/2A	3.2x1.25x1.1	○ Pure White	x=0.274, y=0.226	28.5	112	2.7	3.15	5
23-21B/T1D-CP2Q2TY/2A	3.2x1.25x1.1	○ Pure White	x=0.274, y=0.226	57	112	2.6	3	5
23-21B/W1D-ANQHY/2A	3.2x1.25x1.1	○ Pure White	x=0.274, y=0.226	28.5	112	2.7	3.15	5



UNIT : mm

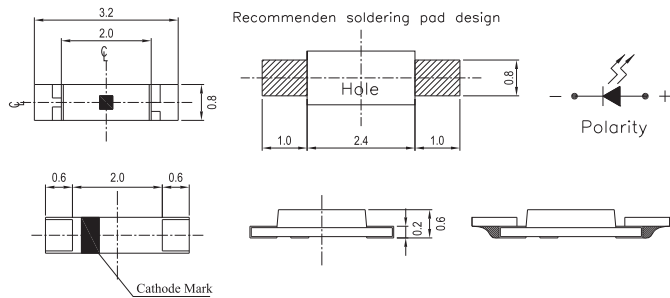


Product	Size (LxWxHmm)	Color	λ_d (nm)/CIE(x,y)	I_v Min./Typ. (mcd)	I_v Max. (mcd)	V_F Min./Typ. (V)	V_F Max. (V)	I_F (mA)
23-21C/T1D-CP2Q2TY/2A	3.2x1.25x1.1	○ White	x=0.274, y=0.226	57	112	Min. 2.6	3	5

SMD LED | Surface Mount Chip LED (PCB) | Reverse Mount



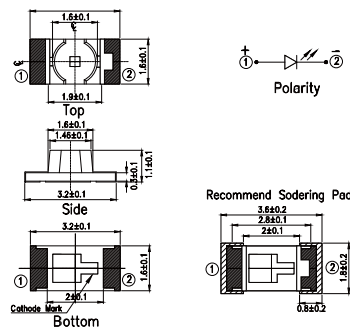
UNIT : mm



Product	Size (LxWxHmm)	Color	λ_d (nm)/CIE(x,y)	I_V Min./Typ. (mcd)	I_V Max. (mcd)	V_F Min./Typ. (V)	V_F Max. (V)	I_F (mA)
23-215A/BHC-DN2P2E/5A	3.2x0.8x0.6	● Blue	470	36	72	2.75	3.65	20



UNIT : mm



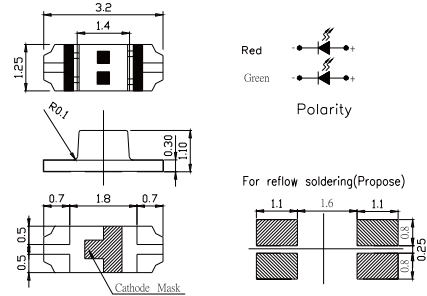
Product	Size (LxWxHmm)	Color	λ_d (nm)/CIE(x,y)	I_V Min./Typ. (mcd)	I_V Max. (mcd)	V_F Min./Typ. (V)	V_F Max. (V)	I_F (mA)
24-21/BHC-AN1P2/2A	3.2x1.6x1.1	● Blue	470	28.5	72	2.7/3.3	3.7	20
24-21/GHC-YR2T1/2A	3.2x1.6x1.1	● Brilliant Green	525	140	360	3.5	4	20

SMD LED

SMD LED | Surface Mount Chip LED (PCB) | Reverse Mount Bi-color



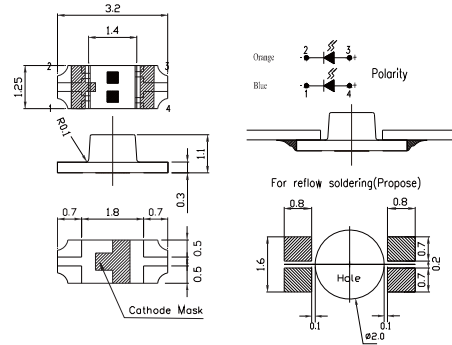
UNIT : mm



Product	Size (LxWxHmm)	Color	λ_d (nm)/ CIE(x,y)	I_V Min./Typ. (mcd)	I_V Max. (mcd)	V_F Min./Typ. (V)	V_F Max. (V)	I_F (mA)
23-22B/R7G6C-A30/2T	3.2x1.25x1.1	<ul style="list-style-type: none"> ● Dark Red ● Brilliant Yellow Green 	R7 : 631 G6 : 573	R7 : 18 G6 : 14.5	R7 : 72 G6 : 45	R7 : 1.7 / 2 G6 : 1.7 / 2	R7 : 2.4 G6 : 2.4	20
23-22B/S2BHC-C30/2A	3.2x1.25x1.1	<ul style="list-style-type: none"> ● Brilliant Orange ● Blue 	S2 : 605 BH : 470	S2 : 11.5 BH : 11.5	S2 : 28.5 BH : 28.5	S2 : 1.55 / 1.85 BH : 2.5 / 3.1	S2 : 2.25 BH : 3.5	5



UNIT : mm

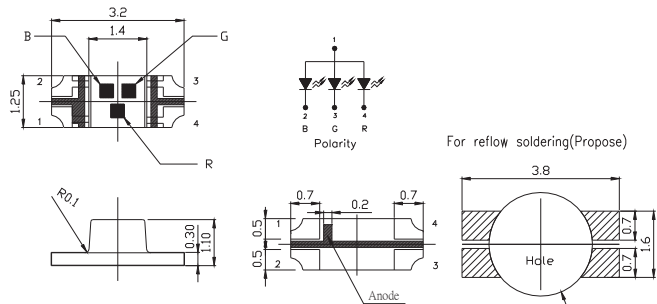


Product	Size (LxWxHmm)	Color	λ_d (nm)/ CIE(x,y)	I_V Min./Typ. (mcd)	I_V Max. (mcd)	V_F Min./Typ. (V)	V_F Max. (V)	I_F (mA)
23-22C/S2BHC-B30/2A	3.2x1.25x1.1	<ul style="list-style-type: none"> ● Brilliant Orange ● Blue 	S2 : 605 BH : 470	S2 : 22.5 BH : 22.5	S2 : 57 BH : 57	S2 : 1.7 / 2 BH : 2.7 / 3.3	S2 : 2.4 BH : 3.7	10

SMD LED | Surface Mount Chip LED (PCB) | Reverse Mount Full color



UNIT : mm

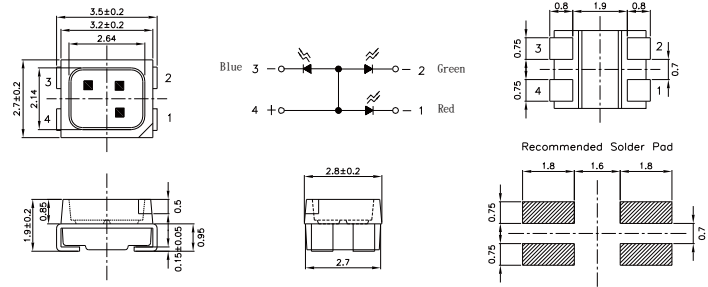


Product	Size (LxWxHmm)	Color	λ_d (nm)/ CIE(x,y)	I_V Min./Typ. (mcd)	I_V Max. (mcd)	V_F Min./Typ. (V)	V_F Max. (V)	I_F (mA)
23-23B/R6GHBHC-A01/2A	3.2x1.25x1.1	<ul style="list-style-type: none"> ● Brilliant Red ● Brilliant Green ● Blue 	R6 : 624 GH : 525 BH : 470	R6 : 72 / 100 GH : 140 / 200 BH : 45 / 65	--	R6 : 1.7 / 2 GH : 2.7 / 3.3 BH : 2.7 / 3.3	R6 : 2.4 GH : 3.7 BH : 3.7	20

SMD LED | Surface Mount PLCC LEDs (Reflector) | Top View LED



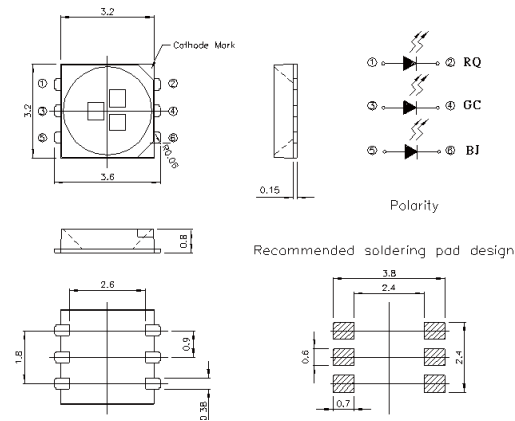
UNIT : mm



Product	Size (LxWxHmm)	Color	λ_d (nm)/CIE(x,y)	I_V Min./Typ. (mcd)	I_V Max. (mcd)	V_F Min./Typ. (V)	V_F Max. (V)	I_F (mA)
67-23/R6GHBHC-B05/2T	3.5x2.8x1.9	R6: ● Brilliant Red GH: ● Brilliant Green BH: ● Blue	R6 : 621-631 GH : 520-530 BH : 465-475	R6 : 112 GH : 180 BH : 72	R6 : 285 GH : 715 BH : 285	R6 : 2.0 GH : 3.4 BH : 3.4	R6 : 2.4 GH : 3.95 BH : 3.95	20
67-23SDRSYGUBC/TR8	3.5x2.8x1.9	SDR: ● Deep Red SYG: ● Brilliant Yellow Green UB: ● Blue	SDR : 639 SYG : 573 UB : 470	SDR : 63 / 112 SYG : 13 / 20 UB : 11 / 18	--	SDR : 2.0 SYG : 2.0 UB : 3.5	SDR : 2.4 SYG : 2.4 UB : 4.0	20



UNIT : mm

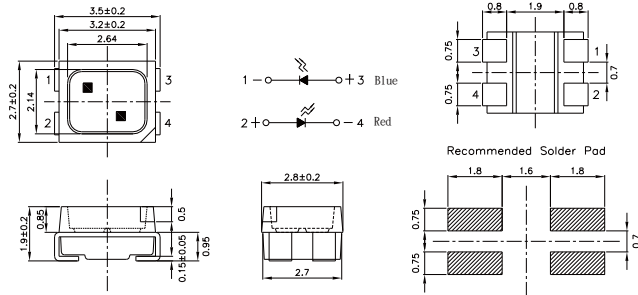


Product	Size (LxWxHmm)	Color	λ_d (nm)/CIE(x,y)	I_V Min./Typ. (mcd)	I_V Max. (mcd)	V_F Min./Typ. (V)	V_F Max. (V)	I_F (mA)
67-235-BJRQGCC-A01E-2T8-CS	3.2x3.2x0.8	● BQ: Super-Red ● GC: Brilliant Green ● BJ: Blue	BQ: 617.5-629.5 GC: 525-535 BJ: 465-475	BQ: 450 GC: 1120 BJ: 225	BQ: 900 GC: 1800 BJ: 450	BQ: 1.75 GC: 2.75 BJ: 2.75	BQ: 2.75 GC: 3.65 BJ: 3.65	20

SMD LED | Surface Mount PLCC LEDs (Reflector) | Top View Bi-Color



UNIT : mm

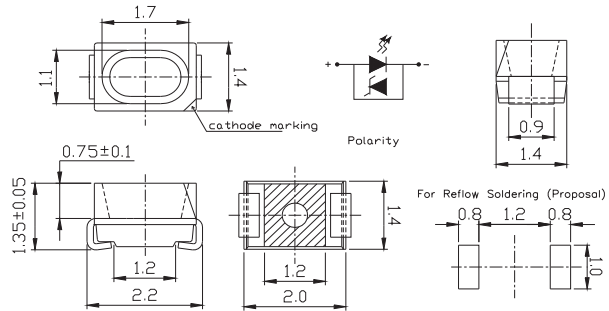


Product	Size (LxWxHmm)	Color	λ_d (nm)	I_v Min./Typ. (mcd)	I_v Max. (mcd)	V_F Min./Typ. (V)	V_F Max. (V)	I_F (mA)
67-22/G3G3C-B45/2T	3.5x2.8x1.9	G3: ● Pale Green G3: ● Pale Green	563.5~571.5	4.5 / 10	36	1.7 / 2.0	2.4	10
67-22/R6BHC-B07/2T	3.5x2.8x1.9	R6: ● Brilliant Red BH: ● Blue	R6 : 621~631 BH : 466.5~471.5	R6 : 90 BH : 90	R6 : 225 BH : 225	R6 : 1.75 BH : 2.9	R6 : 2.35 BH : 3.7	20
67-22/R6G6C-B09/2T	3.5x2.8x1.9	R6: ● Brilliant Red G6: ● Brilliant Yellow Green	R6 : 621~627 G6 : 570~574	R6 : 57 G6 : 36	R6 : 140 G6 : 90	R6 : 1.75 G6 : 1.75	R6 : 2.35 G6 : 2.35	20
67-22/R6Y2C-B31/2T	3.5x2.8x1.9	R6: ● Brilliant Red Y2: ● Brilliant Yellow	R6 : 621~631 Y2 : 586~594	R6 : 72 Y2 : 72	R6 : 285 Y2 : 285	1.75	2.35	20
67-22SURSYGC/S530-A2/TR8	3.5x2.8x1.9	SUR: ● Brilliant Red SYG: ● Brilliant Yellow Green	SUR : 624 SYG : 573	SUR : 24 / 59 SYG : 16 / 24	--	SUR : 1.7 / 2.0 SYG : 1.7 / 2.0	SUR : 2.4 SYG : 2.4	20
67-22UYSYGC/S530-A5/TR8	3.5x2.8x1.9	UY: ● Brilliant Yellow SYG: ● Brilliant Yellow Green	UY : 589 SYG : 573	UY : 80 / 120 SYG : 50 / 80	--	UY : 1.7/2.0 SYG : 1.7/2.0	UY : 2.4 SYG : 2.4	20

SMD LED | Surface Mount PLCC LEDs (Reflector) | Top View PLCC2



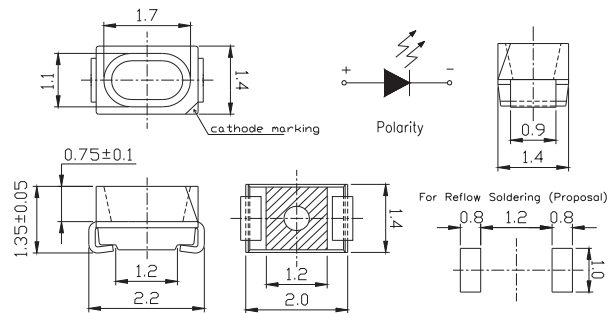
UNIT : mm



Product	Size (LxWxHmm)	Color	λ_d (nm)/CIE(x,y)	I_v Min./Typ. (mcd)	I_v Max. (mcd)	V_F Min./Typ. (V)	V_F Max. (V)	I_F (mA)
65-11/BHC-AR1S2B2/2T	2.2x1.4x1.35	● Blue	464.5~476.5	112	285	2.9	3.6	20
65-11/T2C-FV1W2E/2T	2.2x1.4x1.35	○ Pure White	x=0.283~0.33 y=0.276~0.36	715	1800	2.75	3.65	20



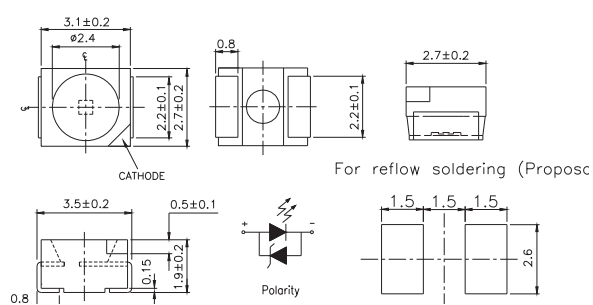
UNIT : mm



Product	Size (LxWxHmm)	Color	λ_d (nm)/CIE(x,y)	I_v Min./Typ. (mcd)	I_v Max. (mcd)	V_F Min./Typ. (V)	V_F Max. (V)	I_F (mA)
65-21/G6C-AN2Q1/3T	2.2x1.4x1.35	● Brilliant Yellow Green	569.5~577.5	36	90	1.75	2.35	20
65-21/Y2C-CJ2L2X/3T	2.2x1.4x1.35	● Brilliant Yellow	586~592	5.8	18	2	2.4	2
65-21/Y2SC-AR1S2B/2T	2.2x1.4x1.35	● Brilliant Yellow	585.5~594.5	112	285	1.75	2.35	20
65-21/Y2SC-FR2S1B/2T	2.2x1.4x1.35	● Brilliant Yellow	586~594	140	225	1.75	2.35	20



UNIT : mm



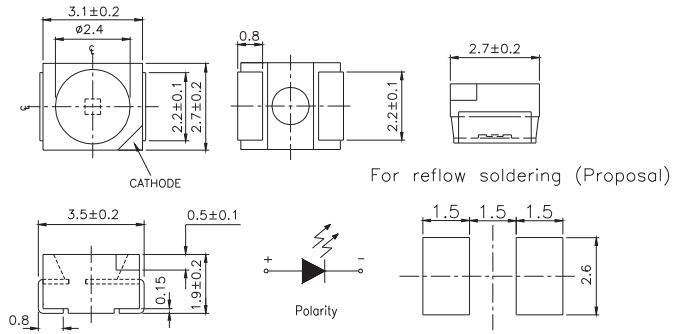
Product	Size (LxWxHmm)	Color	λ_d (nm)/CIE(x,y)	I_v Min./Typ. (mcd)	I_v Max. (mcd)	V_F Min./Typ. (V)	V_F Max. (V)	I_F (mA)
67-11/BHC-FQ2S1F/2T	3.5x2.7x1.9	● Blue	464~472	90	285	2.7	3.5	20
67-11/W1C-ES1T2N/2T	3.5x2.7x1.9	● Warm White	x=0.264~0.330 y=0.248~0.360	180	450	2.7	3.7	20
67-11/W1C-FV1W2F/2T	3.5x2.7x1.9	○ White	x=0.283~0.330 y=0.276~0.360	715	1800	2.7	3.5	20

SMD LED

SMD LED | Surface Mount PLCC LEDs (Reflector) | Top View PLCC2



UNIT : mm



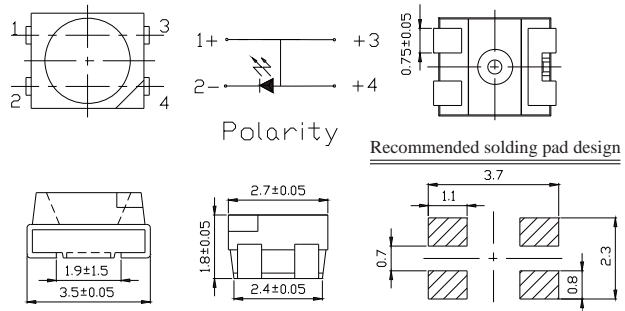
Product	Size (LxWxHmm)	Color	λ_d (nm)/CIE(x,y)	I_v Min./Typ. (mcd)	I_v Max. (mcd)	V_F Min./Typ. (V)	V_F Max. (V)	I_F (mA)
67-21/B3C-BN1Q2N/2T	3.5x2.7x1.9	Blue	464.5~473.5	28.5	112	2.7	3.7	20
67-21/B7C-AS2U1N/2T	3.5x2.7x1.9	Blue	464.5~476.5	225	565	2.7	3.7	20
67-21/GBC-YV2W2N/2T	3.5x2.7x1.9	Brilliant Green	520~535	900	1800	2.7	3.7	20
67-21/GHC-AS2U1B17Z/2T	3.5x2.7x1.9	Brilliant Green	517.5~535.5	225	565	2.5	3.5	10
67-21/GHC-BV1/2T	3.5x2.7x1.9	Brilliant Green	523.5~533.5	715	900	2.7	4.3	20
67-21/R6C-AP2R1B/2T	3.5x2.7x1.9	Brilliant Red	617.5~633.5	57	140	1.75	2.35	20
67-21/R6C-FN2Q1BZ/2T	3.5x2.7x1.9	Brilliant Red	621~631	36	90	1.75	2.35	10
67-21/R6C-FR2T1B/2T	3.5x2.7x1.9	Brilliant Red	621~631	140	360	1.75	2.35	20
67-21/R6C-FS1U1B/2T	3.5x2.7x1.9	Brilliant Red	621~631	180	565	1.75	2.35	20
67-21/RSC-FT2V1B/2T	3.5x2.7x1.9	Brilliant Red	621~631	360	900	1.75	2.35	20
67-21/S2C-FQ2R2B/2T	3.5x2.7x1.9	Brilliant Orange	603~609	90	180	1.75 / 2	2.35	20
67-21/S3C-AS1T1/2T	3.5x2.7x1.9	Reddish Orange	605.5~621.5	180	360	2	2.4	20
67-21/T2C-ZV1W2E/2T	3.5x2.7x1.9	White	x=0.2498~0.296 y=0.2185~0.2950	715	1800	2.75	3.65	20
67-21/Y2C-BR2T1B/2T	3.5x2.7x1.9	Brilliant Yellow	588.5~594.5	140	360	1.75	2.35	20
67-21/YSC-FU1V2B/2T	3.5x2.7x1.9	Brilliant Yellow	586~594	450	1120	1.75	2.35	20

SMD LED

SMD LED | Surface Mount PLCC LEDs (Reflector) | Top View PLCC3



UNIT : mm

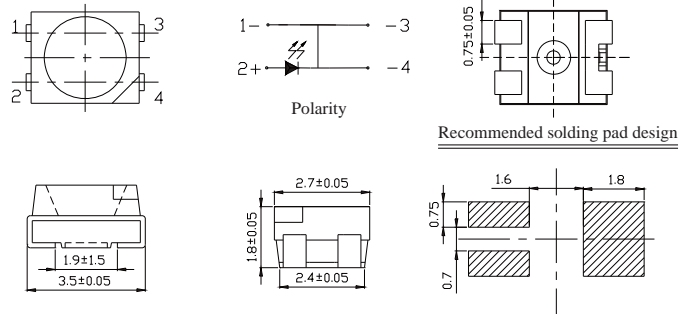


Product	Size (LxWxHmm)	Color	λ_d (nm)/CIE(x,y)	I_v Min./Typ. (mcd)	I_v Max. (mcd)	V_F Min./Typ. (V)	V_F Max. (V)	I_F (mA)
67-31A/B7C-AT1U2MZ3/2T	3.5x2.7x1.8	Blue	464.5~476.5	285	715	2.75	3.95	30
67-31A/GHC-YV1W2EZ3/2T	3.5x2.7x1.8	Green	520~535	715	1800	2.75	3.65	30
67-31A/SAC-AW1X2B9Z5/2T	3.5x2.7x1.8	Reddish Orange	605.5~625.5	1120	2850	1.95	2.75	50

SMD LED | Surface Mount PLCC LEDs (Reflector) | Top View PLCC3



UNIT : mm

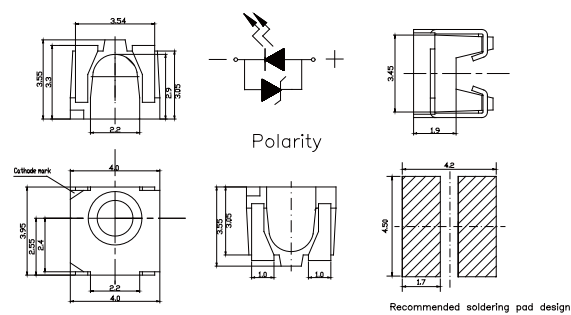


Product	Size (LxWxHmm)	Color	λ_d (nm)/CIE(x,y)	I_v Min./Typ. (mcd)	I_v Max. (mcd)	V_F Min./Typ. (V)	V_F Max. (V)	I_F (mA)
67-31E/RSC-AV1W2B9Z5/2T	3.5x2.7x1.8	● Brilliant Red	617.5~633.5	715	1800	2.15	2.75	50

SMD LED | Surface Mount PLCC LEDs (Reflector) | Side View LED



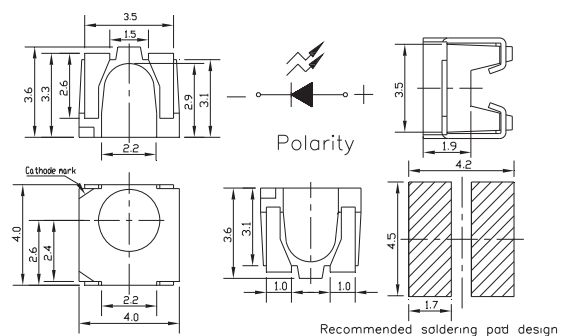
UNIT : mm



Product	Size (LxWxHmm)	Color	λ_d (nm)/CIE(x,y)	I_v Min./Typ. (mcd)	I_v Max. (mcd)	V_F Min./Typ. (V)	V_F Max. (V)
57-11UTC/S827-1/TR8	4.0x4.0x3.6	○ White	x=0.3070~0.3520 y=0.2840~0.3710	900	1800	2.75	3.95



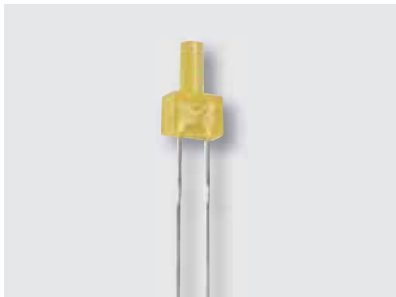
UNIT : mm



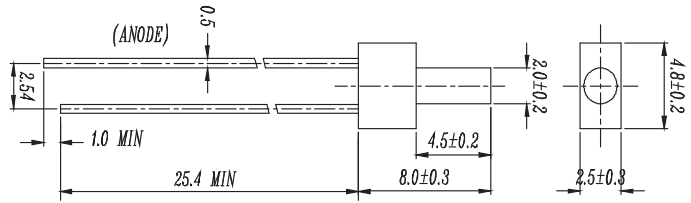
Product	Size (LxWxHmm)	Color	λ_d (nm)/CIE(x,y)	I_v Min./Typ. (mcd)	I_v Max. (mcd)	V_F Min./Typ. (V)	V_F Max. (V)	I_F (mA)
57-21/R6C-AP1Q2B/BF	4.0x4.0x3.6	● Brilliant Red	617.5~633.5	45	112	1.75	2.35	10
57-21SYGC/S530-E3/TR8	4.0x4.0x3.6	● Brilliant Yellow Green	573	32/51	--	1.7 / 2.0	2.4	20

SMD LED

LED Lamps | 2mm Tower Type



UNIT : mm

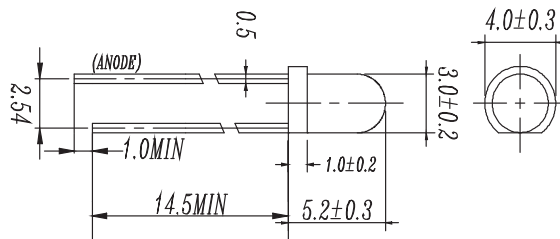


Product	Size (mm)	Color	Lens Type	λ_d (nm) / CIE(x,y)	Resin Color	I_V (Min/Typ) (mcd)	V_F (Typ/Max) (V)	Viewing Angle (°)
103SURD/S530-A3	2	● Hyper Red	Tower	624	Red Diffused	25 / 40	2.0 / 2.4	130
103SYGD/S530-E2	2	● Brilliant Yellow Green	Tower	573	Green Diffused	6.3 / 12.5	2.0 / 2.4	130
103UYD/S530-A3	2	● Brilliant Yellow	Tower	589	Yellow Diffused	25 / 50	2.0 / 2.4	130

LED Lamps | 3mm Round Type



UNIT : mm

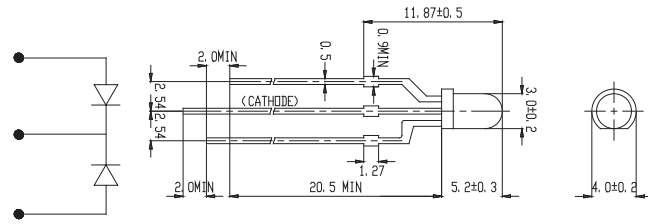


Product	Size (mm)	Color	Lens Type	λ_d (nm) / CIE(x,y)	Resin Color	I_V (Min/Typ) (mcd)	V_F (Typ/Max) (V)	Viewing Angle (°)
204-10SDRD/S530-A3	3	● Deep Red	Round	639	Red Diffused	40 / 80	2.0 / 2.4	50
204-10SUBC/S400-A4	3	● Blue	Round	470	Water Clear	400 / 800	3.4 / 4.0	20
204-10SUGC/S400-A5	3	● Green	Round	525	Water Clear	1600 / 3200	3.2 / 3.7	30
204-10SURD/S530-A3	3	● Brilliant Red	Round	624	Red Diffused	40 / 80	2.0 / 2.4	45
204-10SYGD/S530-E3	3	● Brilliant Yellow Green	Round	573	Green Diffused	63 / 100	2.0 / 2.4	45
204-10UYD/S530-A3	3	● Brilliant Yellow	Round	589	Yellow Diffused	100 / 200	2.0 / 2.4	60
204-10UYOC/S530-A3	3	● Brilliant Orange	Round	605	Water Clear	320 / 500	2.0 / 2.4	30

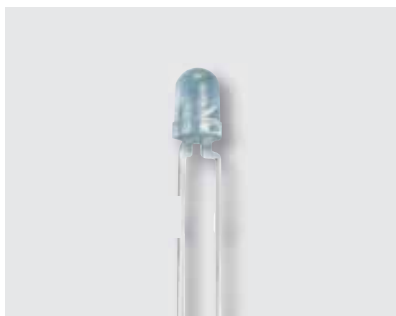
LED Lamps | 3mm Round Type



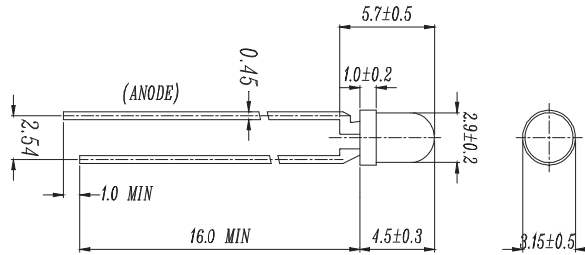
UNIT : mm



Product	Size (mm)	Color	Lens Type	λ_d (nm) / CIE(x,y)	Resin Color	I_V (Min/Typ) (mcd)	V_F (Typ/Max) (V)	Viewing Angle (°)
209SDRSYGW/S530-A3	3	● Deep Red ● Brilliant Yellow Green	Round	639 / 573	White Diffused	25 / 50 16 / 32	2.0 / 2.4 2.0 / 2.4	80
209SURSYGW/S530-A3	3	● Brilliant Red ● Brilliant Yellow Green	Round	624 / 573	White Diffused	40 / 80 25 / 50	2.0 / 2.4 2.0 / 2.4	80



UNIT : mm

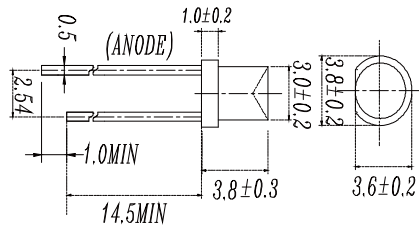


Product	Size (mm)	Color	Lens Type	λ_d (nm) / CIE(x,y)	Resin Color	I_V (Min/Typ) (mcd)	V_F (Typ/Max) (V)	Viewing Angle (°)
264-7SDRC/S530-A3	2.9	● Deep Red	Round	639	Water Clear	40 / 100	2.0 / 2.4	40
264-7UYOC/S530-A3	2.9	● Brilliant Orange	Round	605	Water Clear	110 / 200	2.0 / 2.4	40
264-7SUGC/S400-A5	2.9	● Brilliant Green	Round	530	Water Clear	1000 / 2000	3.4 / 4.0	30
264-7SURC/S400-A8	2.9	● Brilliant Red	Round	624	Water Clear	400 / 800	2.0 / 2.4	40
264-7SYGC/S530-E3	2.9	● Brilliant Yellow Green	Round	573	Water Clear	100 / 320	2.0 / 2.4	35
264-7UYC/S400-A9	2.9	● Brilliant Yellow	Round	589	Water Clear	630 / 1250	2.0 / 2.4	40

LED Lamps | 3mm Round Type



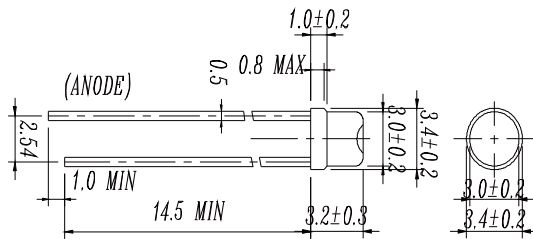
UNIT : mm



Product	Size (mm)	Color	Lens Type	λ_d (nm) / CIE(x,y)	Resin Color	I_v (Min/Typ) (mcd)	V_F (Typ/Max) (V)	Viewing Angle (°)
484-10SURT/S530-A3	3	● Brilliant Red	Round	624	Red Trans	10 / 20	2.0 / 2.4	130
484-10UYT/S530-A3	3	● Brilliant Yellow	Round	589	Yellow Trans	16 / 32	2.0 / 2.4	110
484-10SYGT/S530-E2	3	● Brilliant Yellow Green	Round	573	Green Trans	6.3 / 12.5	2.0 / 2.4	80
484-10UYOC/S530-A3	3	● Brilliant Orange	Round	605	Water Clear	40 / 80	2.0 / 2.4	160



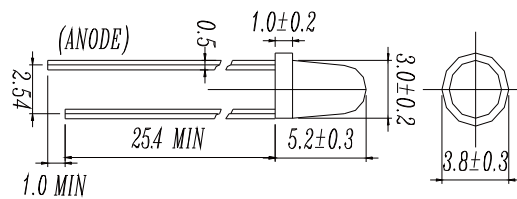
UNIT : mm



Product	Size (mm)	Color	Lens Type	λ_d (nm) / CIE(x,y)	Resin Color	I_v (Min/Typ) (mcd)	V_F (Typ/Max) (V)	Viewing Angle (°)
494-10SURT/S530-A3	3	● Brilliant Red	Round	624	Red Trans	16 / 32	2.0 / 2.4	100
494-10SYGT/S530-E2	3	● Brilliant Yellow Green	Round	573	Green Trans	10 / 20	2.0 / 2.4	100



UNIT : mm

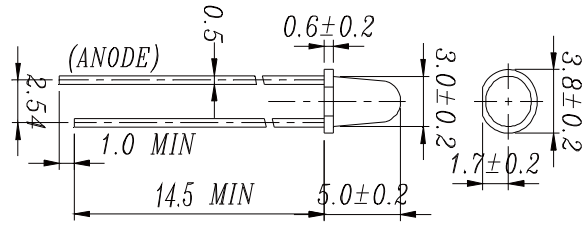


Product	Size (mm)	Color	Lens Type	λ_d (nm) / CIE(x,y)	Resin Color	I_v (Min/Typ) (mcd)	V_F (Typ/Max) (V)	Viewing Angle (°)
1224SYGC/S530-E2	3	● Brilliant Yellow Green	Round	573	Water Clear	63 / 100	2.0 / 2.4	25
1224USOC/S530-A3	3	● Super Sunset Orange	Round	615	Water Clear	188 / 295	2.0 / 2.4	25
1224UTC/S400-A6	3	○ White	Round	x=0.29, y=0.28	Water Clear	1800 / -	- / 4.0	25
1224SURC/S530-A3	3	● Brilliant Red	Round	624	Water Clear	160 / 400	2.0 / 2.4	25
1224SDRC/S530-A4	3	● Super Deep Red	Round	639	Water Clear	250 / 500	2.0 / 2.4	25
1224SUGC/S400-A5	3	● Green	Round	525	Water Clear	1600 / 2000	3.3 / 3.7	30

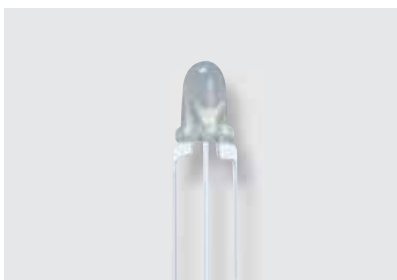
LED Lamps | 3mm Round Type



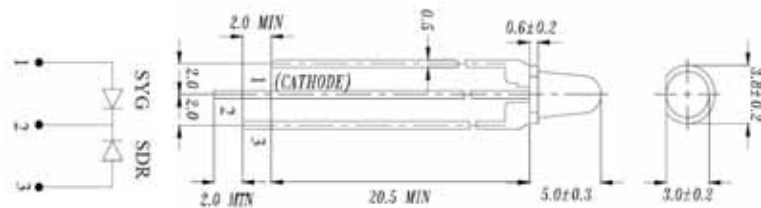
UNIT : mm



Product	Size (mm)	Color	Lens Type	λ_d (nm) / CIE(x,y)	Resin Color	I_v (Min/Typ) (mcd)	V_F (Typ/Max) (V)	Viewing Angle (°)
1254-10SDRT/S530-A3	3	● Deep Red	Round	639	Red Trans	160 / 320	2.0 / 2.4	30
1254-10SURT/S530-A3	3	● Hyper Red	Round	624	Red Trans	160 / 320	2.0 / 2.4	30
1254-10SYGT/S530-E2	3	● Brilliant Yellow Green	Round	573	Green Trans	160 / 320	2.0 / 2.4	30
1254-10UYD/S530-A3	3	● Brilliant Yellow	Round	589	Yellow Diffused	100 / 200	2.0 / 2.4	30
1254-10UYOT/S530-A3	3	● Brilliant Orange	Round	605	Orange Color	250 / 500	2.0 / 2.4	30



UNIT : mm

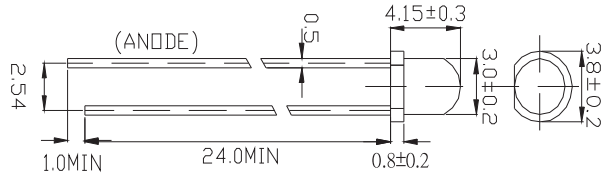


Product	Size (mm)	Color	Lens Type	λ_d (nm)/CIE(x,y)	Resin Color	I_v (Min/Typ) (mcd)	V_F (Typ/Max) (V)	Viewing Angle (°)
1259-7SDRSYGW/S530-A3	3	● Deep Red ● Brilliant Yellow Green	Round	639 / 573	White Diffused	16 / 32 25 / 50	2.0 / 2.4 2.0 / 2.4	50
1259-7SURSYPGW/S530-A3	3	● Brilliant Red ● Brilliant Yellow Green	Round	624 / 573	White Diffused	40 / 80 16 / 32	2.0 / 2.4 2.0 / 2.4	60
1259-7UYSYPGW/S530-A3	3	● Brilliant Yellow ● Brilliant Yellow Green	Round	589 / 573	White Diffused	63 / 125 40 / 80	2.0 / 2.4 2.0 / 2.4	40

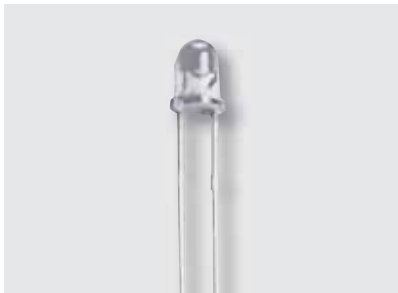
LED Lamps | 3mm Round Type



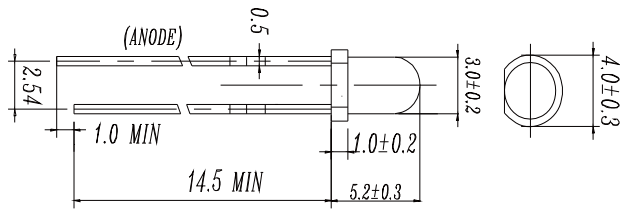
UNIT : mm



Product	Size (mm)	Color	Lens Type	λ_d (nm)/ CIE(x,y)	Resin Color	I_v (Min/Typ) (mcd)	V_F (Typ/Max) (V)	Viewing Angle (°)
3294-15SUBC/S400-A6	3	● Blue	Round	470	Water Clear	160 / 320	3.3 / 3.7	90
3294-15SUGC/S400-A6	3	● Brilliant Green	Round	525	Water Clear	500 / 1250	3.3 / 3.7	50
3294-15SURC/S400-A7	3	● Brilliant Red	Round	624	Water Clear	100 / 200	2.0 / 2.4	90
3294-15SUBGC/S400-A6	3	● Super Blue	Round	505	Water Clear	400 / 800	3.5 / 4.3	90



UNIT : mm

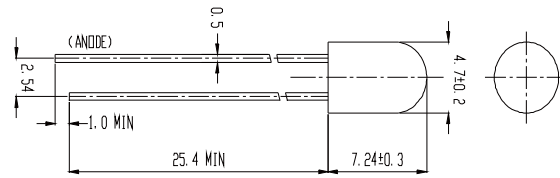


Product	Size (mm)	Color	Lens Type	λ_d (nm)/ CIE(x,y)	Resin Color	I_v (Min/Typ) (mcd)	V_F (Typ/Max) (V)	Viewing Angle (°)
4204-10SYGC/S530-E4	3	● Brilliant Yellow Green	Round	573	Water Clear	250 / 500	2.0 / 2.4	20
4204-10SURC/S530-A3	3	● Brilliant Red	Round	624	Water Clear	320 / 500	2.0 / 2.4	25

LED Lamps | 5mm Round Type



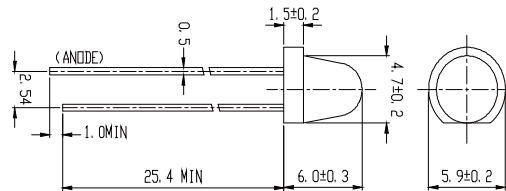
UNIT : mm



Product	Size (mm)	Color	Lens Type	λ_d (nm)/ CIE(x,y)	Resin Color	I_V (Min/Typ) (mcd)	V_F (Typ/Max) (V)	Viewing Angle (°)
313-2SYGC/S530-E2	4.7	● Brilliant Yellow Green	Round	573	Water Clear	250 / 500	2.0 / 2.4	20
313-2UYD/S530-A3	4.7	● Brilliant Yellow	Round	589	Yellow Diffused	100 / 200	2.0 / 2.4	50
313-2SUBC/C470/S400-A4	4.7	● Blue	Round	470	Water Clear	630 / 1000	3.4 / 4.0	20



UNIT : mm



Product	Size (mm)	Color	Lens Type	λ_d (nm)/ CIE(x,y)	Resin Color	I_V (Min/Typ) (mcd)	V_F (Typ/Max) (V)	Viewing Angle (°)
323-2SURD/S530-A3	4.7	● Brilliant Red	Round	624	Red Diffused	63 / 100	2.0 / 2.4	40
323-2SYGD/S530-E2	4.7	● Brilliant Yellow Green	Round	573	Green Diffused	40 / 80	2.0 / 2.4	60
323-2SDRD/S530-A3	4.7	● Deep Red	Round	639	Red Diffused	25 / 50	2.0 / 2.4	60



UNIT : mm

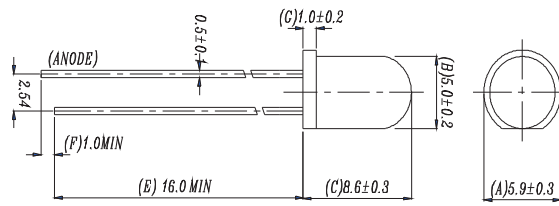


Product	Size (mm)	Color	Lens Type	λ_d (nm)/ CIE(x,y)	Resin Color	I_V (Min/Typ) (mcd)	V_F (Typ/Max) (V)	Viewing Angle (°)
336SURSYGW/S530-A3	5	● Brilliant Red ● Brilliant Yellow Green	Round	624 / 573	White Diffused	16 / 32 16 / 32	2.0 / 2.4 2.0 / 2.4	90
336SYGSYGD/S530-E2	5	● Brilliant Yellow Green	Round	573 / 573	Green Diffused	8 / 16	2.0 / 2.4	90
336UYSYGW/S530-A3	5	● Super Yellow ● Super Yellow Green	Round	589/573	White Diffused	40 / 80 16 / 32	2.0 / 2.4 2.0 / 2.4	80

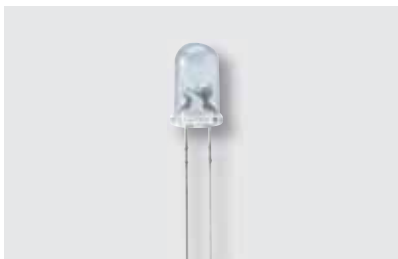
LED Lamps | 5mm Round Type



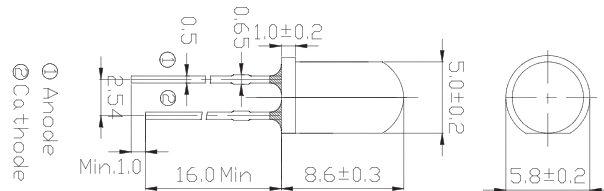
UNIT : mm



Product	Size (mm)	Color	Lens Type	λ_d (nm)/CIE(x,y)	Resin Color	I_v (Min/Typ) (mcd)	V_F (Typ/Max) (V)	Viewing Angle (°)
333-2SDRC/S530-A4	5	● Deep Red	Round	639	Water Clear	400 / 1000	2.0 / 2.4	10
333-2SUBC/C470/S400-A6	5	● Blue	Round	470	Water Clear	1000 / 2000	3.4 / 4.0	10
333-2SUGC/S400-A5	5	● Brilliant Green	Round	530	Water Clear	4000 / 8000	3.4 / 4.0	10
333-2SURC/S400-A8	5	● Brilliant Red	Round	624	Water Clear	3200 / 5000	2.0 / 2.4	10
333-2SYGC/S530-E2	5	● Brilliant Yellow Green	Round	573	Water Clear	400 / 800	2.0 / 2.4	10
333-2UYC/S400-A4	5	● Super Yellow	Round	589	Water Clear	1432 / 2148	2.0 / 2.4	10
333-2UYC/S530-A3	5	● Brilliant Yellow	Round	589	Water Clear	630 / 1250	2.0 / 2.4	10
333-2UYOC/S530-A3-L	5	● Yellow Orange	Round	605	Water Clear	630 / 1250	2.0 / 2.4	10



UNIT : mm

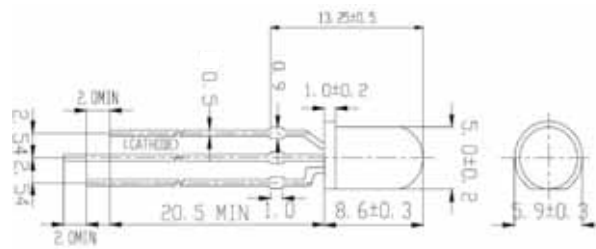


Product	Size (mm)	Color	Lens Type	λ_d (nm)/CIE(x,y)	Resin Color	I_v (Min/Max) (mcd)	V_F (Min/Max) (V)	Viewing Angle (°)
334-15/F1C1-1XZA	5	○ White	Round	x=0.29, y=0.28	Water Clear	18000 / 36000	2.8 / 3.6	15
334-15/T1C1-4WYA	5	○ White	Round	x=0.30, y=0.29	Water Clear	14250 / 28500	2.8 / 3.6	15
334-15/F1C2-7VXA	5	○ White	Round	x=0.30, y=0.29	Water Clear	11250 / 22500	2.8 / 3.6	20
334-15/T1C3-2TVA	5	○ White	Round	x=0.26, y=0.27	Water Clear	7150 / 14250	2.8 / 3.6	30
334-15/T2C3-2TVC	5	○ White	Round	x=0.26, y=0.27	Water Clear	7150 / 14250	2.8 / 3.6	30
334-15/F1C5-1RTA	5	○ White	Round	x=0.29, y=0.28	Water Clear	4500 / 9000	2.8 / 3.6	50
334-15/T1C5-7QSA	5	○ White	Round	x=0.30, y=0.29	Water Clear	3600 / 7150	2.8 / 3.6	50
334-15/T2C5-1QSB	5	○ White	Round	x=0.29, y=0.28	Water Clear	3600 / 7150	2.8 / 3.6	50
334-15/X2C1-1WYB	5	● Warm White	Round	x=0.40, y=0.39	Water Clear	14250 / 28500	2.8 / 3.6	15
334-15/X1C2-1UWA	5	● Warm White	Round	x=0.40, y=0.39	Water Clear	9000 / 18000	2.8 / 3.6	20
334-15/X2C3-1TVA	5	● Warm White	Round	x=0.40, y=0.39	Water Clear	7150 / 14250	2.8 / 3.6	30
334-15/X1C5-1QSA	5	● Warm White	Round	x=0.40, y=0.39	Water Clear	3500 / 7150	2.8 / 3.6	50
334-15/X2C5-1PSB	5	● Warm White	Round	x=0.40, y=0.39	Water Clear	2850 / 7150	2.8 / 3.6	50

LED Lamps | 5mm Round Type



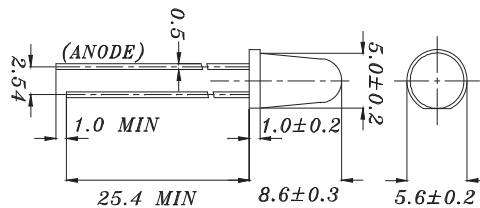
UNIT : mm



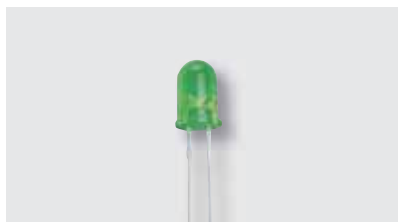
Product	Size (mm)	Color	Lens Type	λ_d (nm)/CIE(x,y)	Resin Color	I_v (Min/Typ) (mcd)	V_F (Typ/Max) (V)	Viewing Angle (°)
339-1SURSYGW/S530-A3	5	● Brilliant Red ● Brilliant Yellow Green	Round	624 / 573	White Diffused	25 / 50 16 / 32	2.0 / 2.4 2.0 / 2.4	70
339-1UYSYGW/S530-A3	5	● Brilliant Yellow ● Brilliant Yellow Green	Round	589 / 573	White Diffused	63 / 100 32 / 50	2.0 / 2.4 2.0 / 2.4	70
339-1UYUBW/S530-A4	5	● Brilliant Yellow ● Blue	Round	589 / 470	White Diffused	25 / 50 16 / 32	2.0 / 2.4 3.3 / 3.7	100



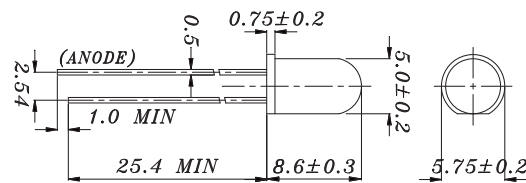
UNIT : mm



Product	Size (mm)	Color	Lens Type	λ_d (nm)/CIE(x,y)	Resin Color	I_v (Min/Typ) (mcd)	V_F (Typ/Max) (V)	Viewing Angle (°)
383-2SDRC/S530-A3	5	● Super Deep Red	Round	639	Water Clear	1000 / 2000	2.0 / 2.4	6
383-2SUGC/S400-A4	5	● Super Green	Round	525	Water Clear	2500 / 4000	3.4 / 4.0	20
383-2SUBC/C470/S400-A6	5	● Blue	Round	470	Water Clear	1600 / 3200	3.3 / 3.7	20
383-2SURC/S530-A3	5	● Hyper Red	Round	624	Water Clear	1000 / 2500	2.0 / 2.4	6
383-2SYGC/S530-E2	5	● Brilliant Yellow Green	Round	573	Water Clear	160 / 320	2.0 / 2.4	10
383-2USOC/S530-A6	5	● Super Sunset Orange	Round	615	Water Clear	6300 / 8000	2.0 / 2.4	6
383-2UYC/S530-A3	5	● Brilliant Yellow	Round	589	Water Clear	2713 / 4263	2.0 / 2.4	6

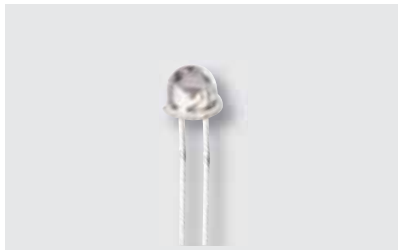


UNIT : mm

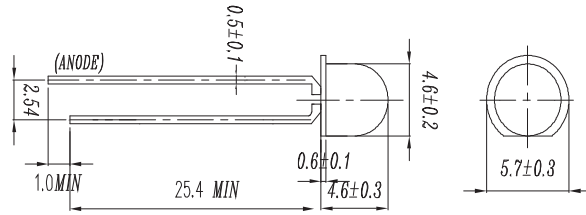


Product	Size (mm)	Color	Lens Type	λ_d (nm)/CIE(x,y)	Resin Color	I_v (Min/Typ) (mcd)	V_F (Typ/Max) (V)	Viewing Angle (°)
1383-2SDRD/S530-A3	5	● Super Deep Red	Round	639	Red Diffused	160 / 320	2.0 / 2.4	30
1383-2SURD/S530-A3	5	● Brilliant Red	Round	624	Red Diffused	250 / 500	2.0 / 2.4	40
1383SYGD/S530-E2	5	● Brilliant Yellow Green	Round	573	Green Diffused	100 / 200	2.0 / 2.4	25
1383UYD/S530-A3	5	● Brilliant Yellow	Round	589	Yellow Diffused	400 / 800	2.0 / 2.4	25

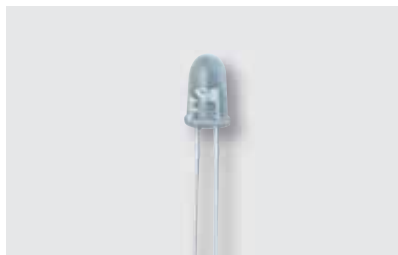
LED Lamps | 5mm Round Type



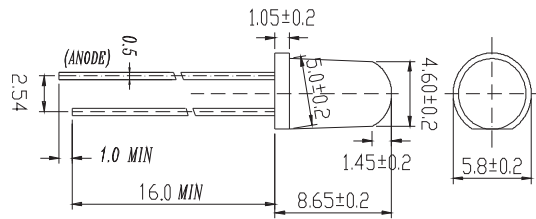
UNIT : mm



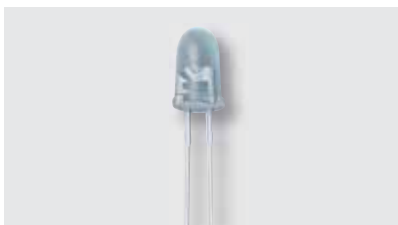
Product	Size (mm)	Color	Lens Type	λ_d (nm)/CIE(x,y)	Resin Color	I_V (Min/Typ) (mcd)	V_F (Typ/Max) (V)	Viewing Angle (°)
6324-15SUBC/S400-X10	4.6	Blue	Round	470	Water Clear	250 / 500	3.3 / 3.7	60
6324-15SURC/S400-A9	4.6	Brilliant Red	Round	624	Water Clear	160 / 320	2.0 / 2.4	100
6324-15SUGC/S400-A5	4.6	Super Green	Round	530	Water Clear	630 / 1250	3.4 / 4.0	60



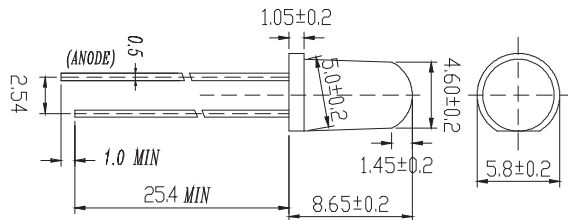
UNIT : mm



Product	Size (mm)	Color	Lens Type	λ_d (nm)/CIE(x,y)	Resin Color	I_V (Min/Typ) (mcd)	V_F (Typ/Max) (V)	Viewing Angle (°)
7343-2SURC/S530-A3	4.6	Brilliant Red	Round	624	Water Clear	400 / 800	2.0 / 2.4	20
7343-2SYGC/S530-E2	4.6	Super Yellow Green	Round	573	Water Clear	160 / 320	2.0 / 2.4	20
7343-2USOC/S530-A3	4.6	Super Sunset Orange	Round	615	Water Clear	630 / 1250	2.0 / 2.4	20



UNIT : mm

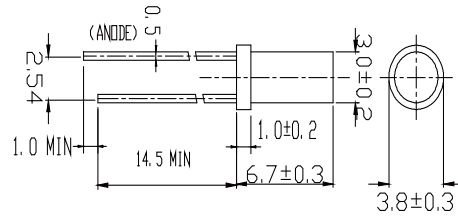


Product	Size (mm)	Color	Lens Type	λ_d (nm)/CIE(x,y)	Resin Color	I_V (Min/Typ) (mcd)	V_F (Typ/Max) (V)	Viewing Angle (°)
7344-15SUBC/C470/S400-A6	4.6	Blue	Round	470	Water Clear	1000 / 2000	3.3 / 3.7	20
7344-15SUGC/S400-A5	4.6	Brilliant Green	Round	525	Water Clear	5000 / 8000	3.3 / 3.7	30
7344-15SUGC/S400-X6	4.6	Brilliant Green	Round	525	Water Clear	8000 / 11000	3.3 / 3.7	20

LED Lamps | 3mm Cylindrical

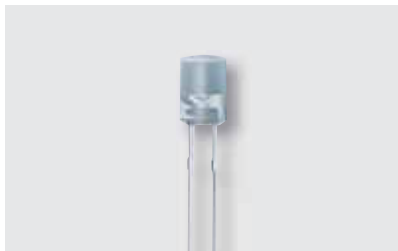


UNIT : mm

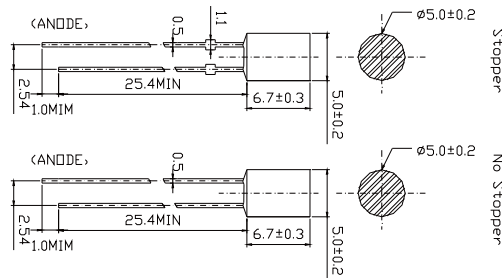


Product	Size (mm)	Color	Lens Type	λ_d (nm)/CIE(x,y)	Resin Color	I_V (Min/Typ) (mcd)	V_F (Typ/Max) (V)	Viewing Angle (°)
414-10UYD/S530-A3	3	● Super Yellow	Cylindrical	589	Yellow Diffused	25 / 40	2.0 / 2.4	120
414-10SURD/S530-A3	3	● Hyper Red	Cylindrical	624	Red Diffused	16 / 32	2.0 / 2.4	120

LED Lamps | 5mm Cylindrical



UNIT : mm

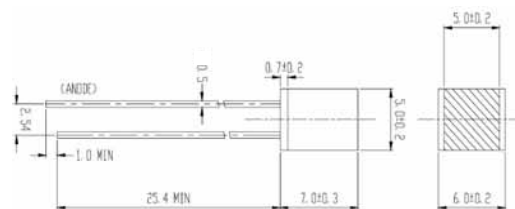


Product	Size (mm)	Color	Lens Type	λ_d (nm)/CIE(x,y)	Resin Color	I_V (Min/Typ) (mcd)	V_F (Typ/Max) (V)	Viewing Angle (°)
423-2UYC/S530-A6	5	● Brilliant Yellow	Cylindrical	589	Water Clear	100 / 200	2.0 / 2.4	90
423-2SURC/S530-A3	5	● Brilliant Red	Cylindrical	624	Water Clear	25 / 63	2.0 / 2.4	80
423-2SUBC/S400-X9	5	● Blue	Cylindrical	470	Water Clear	100 / 200	3.3 / 3.7	80
423-2UYOC/S530-A6	5	● Brilliant Orange	Cylindrical	605	Water Clear	160 / 320	2.0 / 2.4	80

LED Lamps | 5mm Square



UNIT : mm

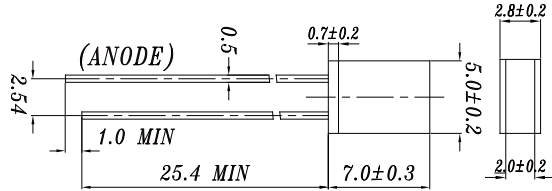


Product	Size (mm)	Color	Lens Type	λ_d (nm)/CIE(x,y)	Resin Color	I_V (Min/Typ) (mcd)	V_F (Typ/Max) (V)	Viewing Angle (°)
583SURD/S530-A3	5x5	● Brilliant Red	Square	624	Red Diffused	12.5 / 20	2.0 / 2.4	130
583SYGD/S530-E2	5x5	● Brilliant Yellow Green	Square	573	Green Diffused	2.5 / 5	2.0 / 2.4	170
583UYD/S530-A3	5x5	● Brilliant Yellow	Square	589	Yellow Diffused	10 / 20	2.0 / 2.4	170

LED Lamps | Rectangular



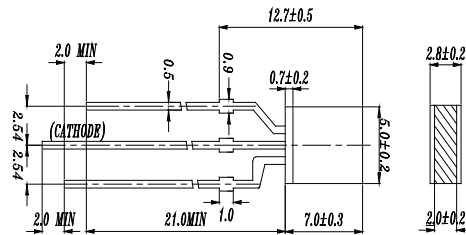
UNIT : mm



Product	Size (mm)	Color	Lens Type	λ_d (nm)/ CIE(x,y)	Resin Color	I_v (Min/Typ) (mcd)	V_F (Typ/Max) (V)	Viewing Angle (°)
513SURD/S530-A3	2x5	● Hyper Red	Rectangle	624	Water Clear	10 / 20	2.0 / 2.4	180
513SYGD/S530-E2	2x5	● Super Yellow Green	Rectangle	573	Green Diffused	6.3 / 12.5	2.0 / 2.4	140
513UYD/S530-A3	2x5	● Super Yellow	Rectangle	589	Yellow Diffused	20 / 32	2.0 / 2.4	150



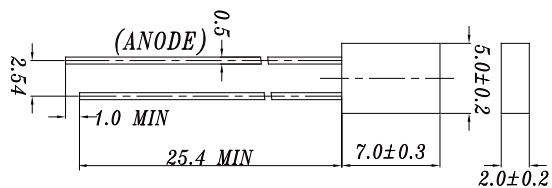
UNIT : mm



Product	Size (mm)	Color	Lens Type	λ_d (nm)/ CIE(x,y)	Resin Color	I_v (Min/Typ) (mcd)	V_F (Typ/Max) (V)	Viewing Angle (°)
519-1SURSYGW/S530-A3	2x5	● Brilliant Red	Rectangle	624 / 573	White Diffused	6.3 / 12.5	2.0 / 2.4	180
		● Brilliant Yellow Green						



UNIT : mm

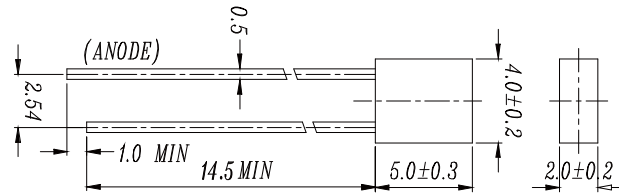


Product	Size (mm)	Color	Lens Type	λ_d (nm)/ CIE(x,y)	Resin Color	I_v (Min/Typ) (mcd)	V_F (Typ/Max) (V)	Viewing Angle (°)
523-2SDRD/S530-A3	2x5	● Deep Red	Rectangle	639	Red Diffused	10 / 16	2.0 / 2.4	120
523-2SURD/S530-A3	2x5	● Brilliant Red	Rectangle	624	Red Diffused	16 / 32	2.0 / 2.4	120
523-2SUGD/S400-A6	2x5	● Brilliant Green	Rectangle	525	Green Diffused	160 / 320	3.3 / 3.7	130
523-2UYD/S530-A3	2x5	● Brilliant Yellow	Rectangle	589	Yellow Diffused	6.3 / 12.5	2.0 / 2.4	120
523SYGD/S530-E2	2x5	● Brilliant Yellow Green	Rectangle	573	Green Diffused	4 / 8	2.0 / 2.4	170

LED Lamps | Rectangular



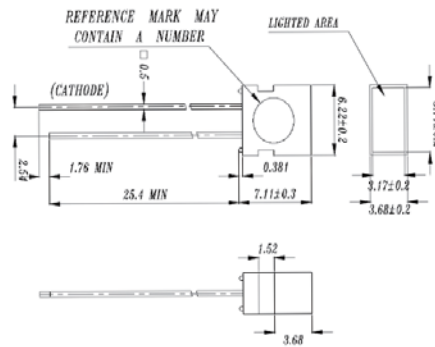
UNIT : mm



Product	Size (mm)	Color	Lens Type	λ_d (nm)/ CIE(x,y)	Resin Color	I_v (Min/Typ) (mcd)	V_F (Typ/Max) (V)	Viewing Angle (°)
594SURD/S530-A3	2x4	● Brilliant Red	Rectangular	624	Red Diffused	10 / 16	2.0 / 2.4	170
594UYD/S530-A3	2x4	● Brilliant Yellow	Rectangular	589	Yellow Diffused	10 / 20	2.0 / 2.4	180
594SYGD/S530-E2	2x4	● Brilliant Yellow Green	Rectangular	573	Green Diffused	4.0 / 8.0	2.0 / 2.4	180



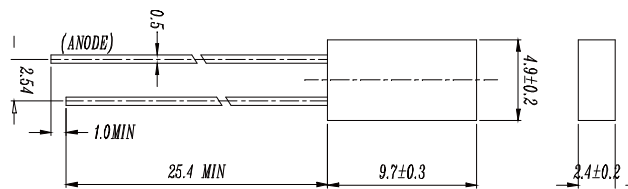
UNIT : mm



Product	Size (mm)	Color	Lens Type	λ_d (nm)/ CIE(x,y)	Resin Color	I_v (Min/Typ) (mcd)	V_F (Typ/Max) (V)	Viewing Angle (°)
1003SURD/S530-A3	3.68x6.22	● Brilliant Red	Rectangular	624	Red Diffused	25 / 50	2.0 / 2.4	110
1003SYGD/S530-E2	3.68x6.22	● Brilliant Yellow Green	Rectangular	573	Green Diffused	6.3 / 12.5	2.0 / 2.4	110
1003SUBD/S400-A6	3.68x6.22	● Blue	Rectangular	470	Blue Diffused	10 / 20	3.3 / 4.0	110
1003SUGD/S400-A4	3.68x6.22	● Brilliant Green	Rectangular	525	Green Diffused	16 / 50	3.3 / 4.0	110



UNIT : mm

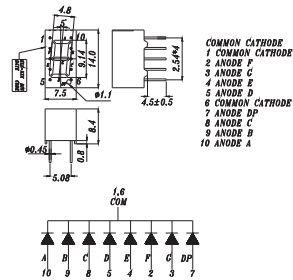


Product	Size (mm)	Color	Lens Type	λ_d (nm)/ CIE(x,y)	Resin Color	I_v (Min/Typ) (mcd)	V_F (Typ/Max) (V)	Viewing Angle (°)
1533SURD/S530-A3	2.4x4.9	● Brilliant Red	Round	624	Red Diffused	10 / 20	2.0 / 2.4	170
1533UYD/S530-A3	2.4x4.9	● Brilliant Yellow	Round	589	Yellow Diffused	10 / 20	2.0 / 2.4	180

LED Digital Displays | Chip On Board Display | Single Digit Display



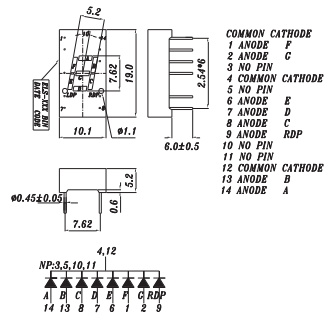
UNIT : mm



Product	Segment Height mm (inch)	Color	Segment Width	CC/CA	λ_d (nm)	Resin Color	Face Color	I_v (Min/Typ) (mcd)
S315SYGWA/S530-E2	9.14 (0.3)	● Brilliant Yellow Green	4.8	CC	573	White	Gray	2.0 / 3.2



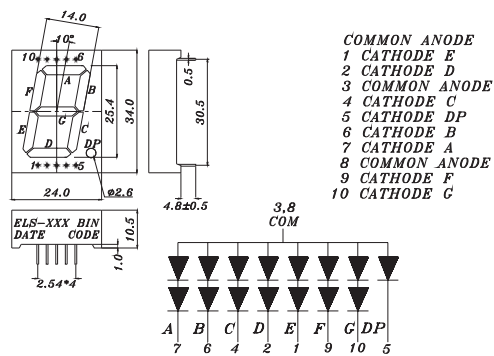
UNIT : mm



Product	Segment Height mm (inch)	Color	Segment Width	CC/CA	λ_d (nm)	Resin Color	Face Color	I_v (Min/Typ) (mcd)
S321SURWA/S530-A3	7.62 (0.3)	● Brilliant Red	5.2	CC	624	White	Gray	5.6 / 11.0
S321USOWA/S530-A4	7.62 (0.3)	● Reddish Orange	5.2	CC	615	White	Gray	7.8 / 17.6



UNIT : mm

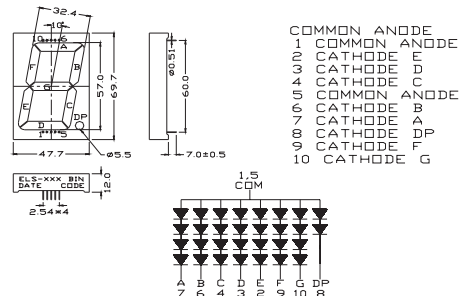


Product	Segment Height mm (inch)	Color	Segment Width	CC/CA	λ_d (nm)	Resin Color	Face Color	I_v (Min/Typ) (mcd)
S1006SURWA/S530-A3	25.4(1.0)	● Brilliant Red	14	CA	624	White	Gray	15 / 24
S1006SYGWA/S530-E2	25.4(1.0)	● Brilliant Yellow Green	14	CA	573	Green	Gray	5.6 / 12.5
S1006SDRDB/A3/S660	25.4(1.0)	● Deep-Red	14	CA	639	Red	Black	11.0 / 24.0

LED Digital Displays | Chip On Board Display | Single Digit Display



UNIT : mm

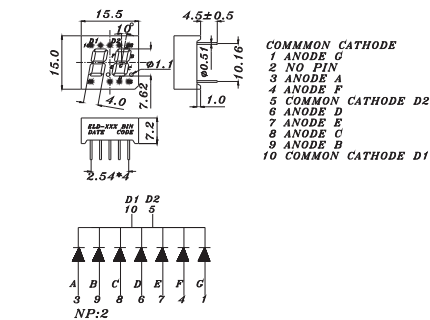


Product	Segment Height mm (inch)	Color	Segment Width	CC/CA	λ_d (nm)	Resin Color	Face Color	I_v (Min/Typ) (mcd)
S2326SURWA/S530-A3	57 (2)	● Brilliant Red	32.4	CA	624	White	Gray	15 / 34
S2326USOWA/S530-A4	57 (2)	● Reddish Orange	32.4	CA	615	White	Gray	30 / 67
S2326SYGWA/S530-E2	57 (2)	● Brilliant Yellow Green	32.4	CA	573	White	Gray	5.6 / 12.5
S2326UBWA/C470	57 (2)	● Blue	32.4	CA	470	White	Gray	15 / 34

LED Digital Displays | Chip On Board Display | Dual Digit Display



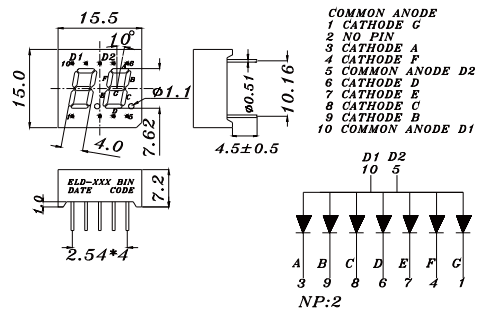
UNIT : mm



Product	Segment Height mm (inch)	Color	Segment Width	CC/CA	λ_d (nm)	Resin Color	Face Color	I_v (Min/Typ) (mcd)
D305SURWA/S530-A3	7.62 (0.3)	● Brilliant Red	4	CC	624	White	Gray	4.0 / 6.4
D305SDRWB/S530-A3	7.62 (0.3)	● Deep-Red	4	CC	639	White	Black	2.0 / 4.5



UNIT : mm

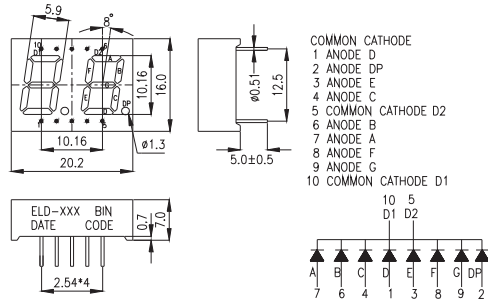


Product	Segment Height mm (inch)	Color	Segment Width	CC/CA	λ_d (nm)	Resin Color	Face Color	I_v (Min/Typ) (mcd)
D306SURWA/S530-A3	7.62 (0.3)	● Brilliant Red	4	CA	624	White	Gray	4.0 / 6.4
D306USOWA/S530-A3	7.62 (0.3)	● Reddish Orange	4	CA	615	White	Gray	4.0 / 8.9

LED Digital Displays | Chip On Board Display | Dual Digit Display



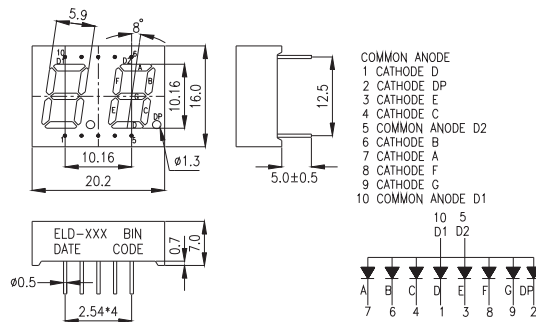
UNIT : mm



Product	Segment Height mm (inch)	Color	Segment Width	CC/CA	λ_d (nm)	Resin Color	Face Color	I_v (Min/Typ) (mcd)
D425SURWA/S530-A3	10.16 (0.4)	● Brilliant Red	5.9	CC	624	White	Gray	7.8 / 15.0
D425USOWA/S530-A4	10.16 (0.4)	● Reddish Orange	5.9	CC	615	White	Gray	11.0 / 24.0
D425SYGWA/S530-E2	10.16 (0.4)	● Brilliant Yellow Green	5.9	CC	573	White	Gray	2.0 / 3.2
D425SDRWA/S530-A4	10.16 (0.4)	● Deep-Red	5.9	CC	639	White	Gray	4.0 / 8.9



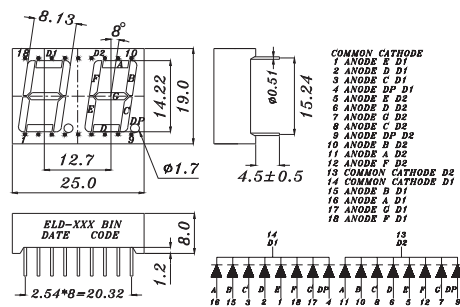
UNIT : mm



Product	Segment Height mm (inch)	Color	Segment Width	CC/CA	λ_d (nm)	Resin Color	Face Color	I_v (Min/Typ) (mcd)
D426SURWB/S530-A3	10.16 (0.4)	● Brilliant Red	5.9	CA	624	White	Black	7.8 / 15
D426USOWA/S530-A3	10.16 (0.4)	● Reddish Orange	5.9	CA	615	White	Gray	11 / 24
D426UYOWB/S530-A3	10.16 (0.4)	● Orange	5.9	CA	605	White	Black	5.6 / 12.5
D426SYGWA/S530-E2	10.16 (0.4)	● Brilliant Yellow Green	5.9	CA	573	White	Gray	2 / 3.2

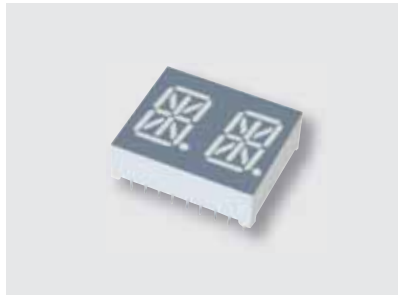


UNIT : mm

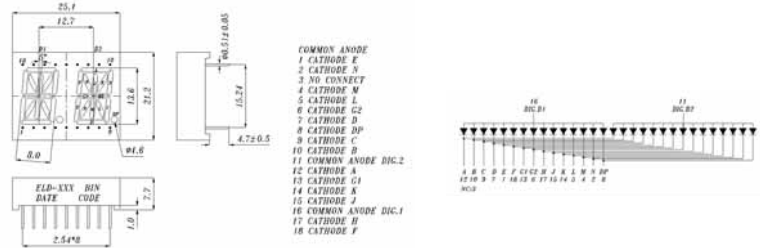


Product	Segment Height mm (inch)	Color	Segment Width	CC/CA	λ_d (nm)	Resin Color	Face Color	I_v (Min/Typ) (mcd)
D511SURWB/S530-A3	14.22 (0.5)	● Brilliant Red	8.13	CC	624	White	Black	7.8 / 15
D511SYGWB/S530-E2	14.22 (0.5)	● Brilliant Yellow Green	8.13	CC	573	White	Black	2.8 / 6.4

LED Digital Displays | Chip On Board Display | Dual Digit Display



UNIT : mm

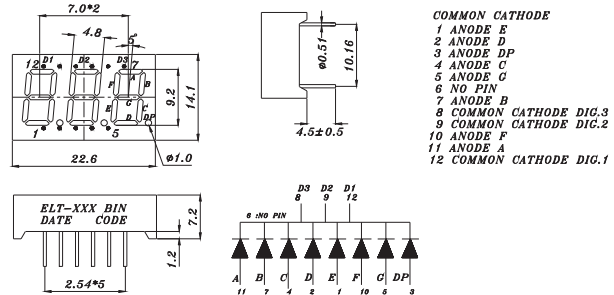


Product	Segment Height mm (inch)	Color	Segment Width	CC/CA	λ_d (nm)	Resin Color	Face Color	I_v (Min/Typ) (mcd)
D526SURWA/S530-A3	13.6 (0.5)	● Brilliant Red	8	CA	624	White	Gray	7.8 / 12.5
D526USOWA/S530-A4	13.6 (0.5)	● Reddish Orange	8	CA	615	White	Gray	5.6 / 12.5

LED Digital Display | Chip On Board Display | Three Digit Display



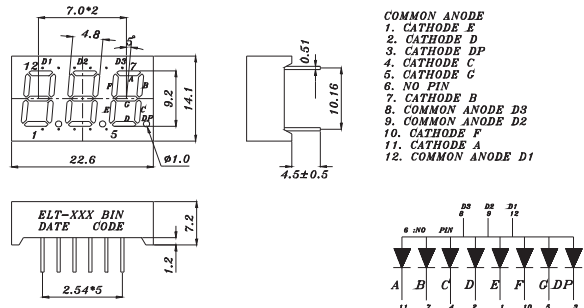
UNIT : mm



Product	Segment Height mm (inch)	Color	Segment Width	CC/CA	λ_d (nm)	Resin Color	Face Color	I_v (Min/Typ) (mcd)
T315SYGWA/S530-E2	9.2 (0.3)	● Brilliant Yellow Green	4.8	CC	573	White	Gray	1.4 / 3.2
T315UYOWA/S530-A3	9.2 (0.3)	● Orange	4.8	CC	605	White	Gray	4.0 / 8.9
T315SURWA/S530-A2	9.2 (0.3)	● Brilliant Red	4.8	CC	624	White	Gray	2.8 / 8.5
T315SDRWA/S530-A3	9.2 (0.3)	● Deep-Red	4.8	CC	639	White	Gray	4.0 / 6.4



UNIT : mm

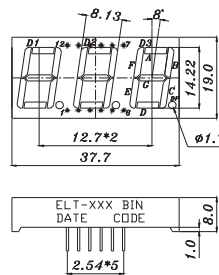


Product	Segment Height mm (inch)	Color	Segment Width	CC/CA	λ_d (nm)	Resin Color	Face Color	I_v (Min/Typ) (mcd)
T316SURWA/S530-A3	9.2 (0.3)	● Brilliant Red	4.8	CA	624	White	Gray	5.6 / 8.9
T316SYGWA/S530-E2	9.2 (0.3)	● Brilliant Yellow Green	4.8	CA	573	White	Gray	1.4 / 3.2
T316SDRWA/S530-A3	9.2 (0.3)	● Deep-Red	4.8	CA	639	White	Gray	4.0 / 6.4

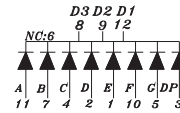
LED Digital Displays | Chip On Board Display | Three Digit Display



UNIT : mm



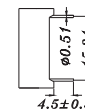
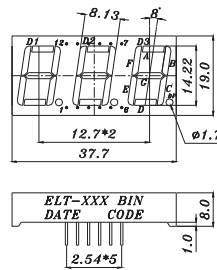
- COMMON CATHODE**
 1 ANODE E
 2 ANODE D
 3 ANODE DP
 4 ANODE C
 5 ANODE G
 6 NO CONNECT
 7 ANODE B
 8 COMMON CATHODE D3
 9 COMMON CATHODE D2
 10 ANODE F
 11 ANODE A
 12 COMMON CATHODE D1



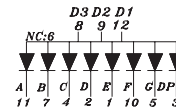
Product	Segment Height mm (inch)	Color	Segment Width	CC/CA	λ_d (nm)	Resin Color	Face Color	I_v (Min/Typ) (mcd)
T511SURWA/S530-A3	14.22 (0.5)	● Brilliant Red	8.13	CC	624	White	Gray	7.8 / 17.6
T511SYGWA/S530-E2	14.22 (0.5)	● Brilliant Yellow Green	8.13	CC	573	White	Gray	2.8 / 4.5
T511UYOWA/S530-A3	14.22 (0.5)	● Orange	8.13	CC	605	White	Gray	5.6 / 12.5
T511SUGWB/S400-A4/S800	14.22 (0.5)	● Brilliant Green	8.13	CC	525	White	Black	30.0 / 67.0



UNIT : mm



- COMMON ANODE**
 1 CATHODE E
 2 CATHODE D
 3 CATHODE DP
 4 CATHODE C
 5 CATHODE G
 6 NO CONNECT
 7 CATHODE B
 8 COMMON ANODE D3
 9 COMMON ANODE D2
 10 CATHODE F
 11 CATHODE A
 12 COMMON ANODE D1

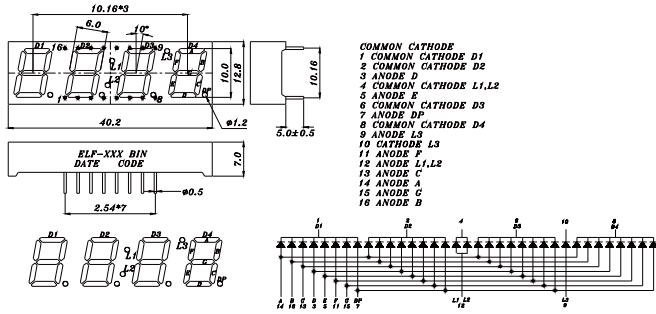


Product	Segment Height mm (inch)	Color	Segment Width	CC/CA	λ_d (nm)	Resin Color	Face Color	I_v (Min/Typ) (mcd)
T512SURWA/S530-A3	14.22 (0.5)	● Brilliant Red	8.13	CA	624	White	Gray	7.8 / 17.6
T512SYGWA/S530-E2	14.22 (0.5)	● Brilliant Yellow Green	8.13	CA	573	White	Gray	2.8 / 4.5
T512UYOWA/S530-A3	14.22 (0.5)	● Orange	8.13	CA	605	White	Gray	5.6 / 12.5
T512USOWA/S530-A4	14.22 (0.5)	● Reddish Orange	8.13	CA	615	White	Gray	7.8 / 17.6
T512SURWB/S530-A3	14.22 (0.5)	● Brilliant Red	8.13	CA	624	White	Black	7.8 / 17.6
T512SYGWB/S530-E2	14.22 (0.5)	● Brilliant Yellow Green	8.13	CA	573	White	Black	2.8 / 4.5

LED Digital Displays | Chip On Board Display | Four Digit Display



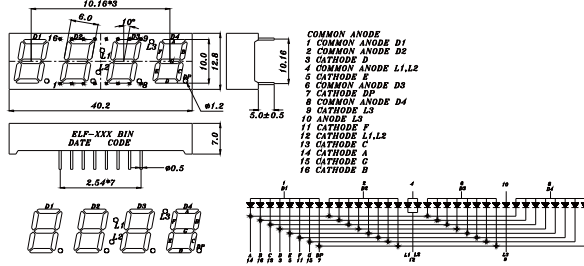
UNIT : mm



Product	Segment Height mm (inch)	Color	Segment Width	CC/CA	λ_d (nm)	Resin Color	Face Color	I_v (Min/Typ) (mcd)
F415SURWA/S530-A3	10 (0.4)	● Brilliant Red	6	CC	624	White	Gray	5.6 / 8.9
F415SURWB/S530-A3	10 (0.4)	● Brilliant Red	6	CC	624	White	Black	5.0 / 8.9



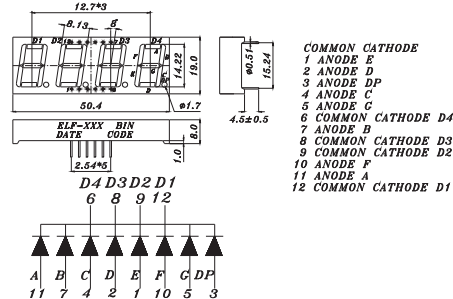
UNIT : mm



Product	Segment Height mm (inch)	Color	Segment Width	CC/CA	λ_d (nm)	Resin Color	Face Color	I_v (Min/Typ) (mcd)
F416SYGWA/S530-E3	10 (0.4)	● Brilliant Yellow Green	6	CA	573	White	Gray	4 / 8.9
F416SURWA/S530-A3	10 (0.4)	● Brilliant Red	6	CA	624	White	Gray	5.6 / 12.5
F416USRWA/S530-A3	10 (0.4)	● Dark-Red	6	CA	631	White	Gray	5.6 / 8.9
F416SURWB/S530-A3	10 (0.4)	● Brilliant Red	6	CA	624	White	Black	5.6 / 8.9

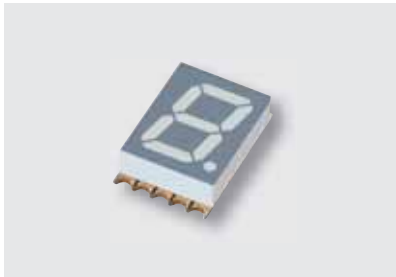


UNIT : mm

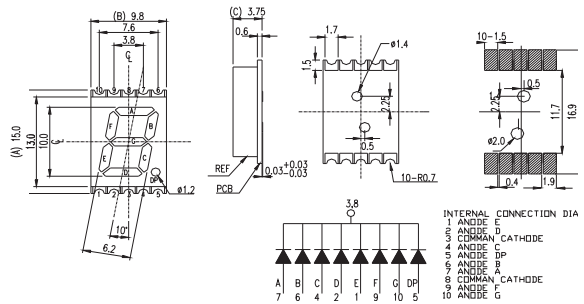


Product	Segment Height mm (inch)	Color	Segment Width	CC/CA	λ_d (nm)	Resin Color	Face Color	I_v (Min/Typ) (mcd)
F511SURWA/S530-A3	14.22 (0.5)	● Brilliant Red	8.13	CC	624	White	Gray	7.8 / 15
F511SYGWA/S530-E2	14.22 (0.5)	● Brilliant Yellow Green	8.13	CC	573	White	Gray	2.8 / 6.4
F511SURWB/S530-A3	14.22 (0.5)	● Brilliant Red	8.13	CC	624	White	Black	11 / 24

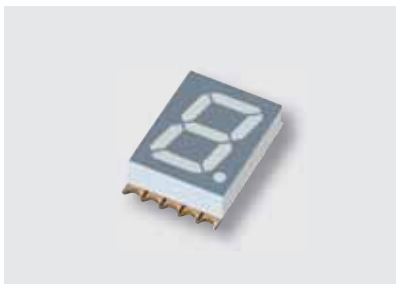
LED Digital Displays | SMD Display | Single Digit Display



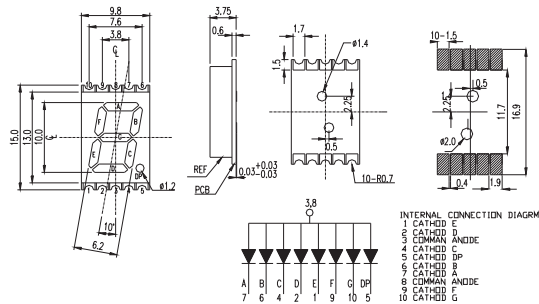
UNIT : mm



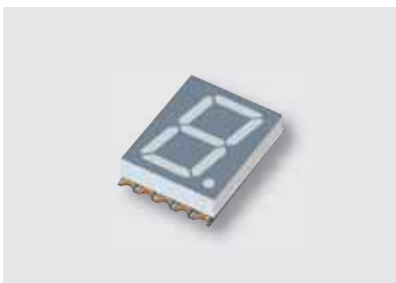
Product	Segment Height mm (inch)	Color	Segment Width	CC/CA	λ_d (nm)	Resin Color	Face Color	I_V (Min/Typ) (mcd)
SS405SYGWA/S530-E2	10 (0.4)	● Brilliant Yellow Green	6.2	CC	573	White	Gray	5.6 / 12.5



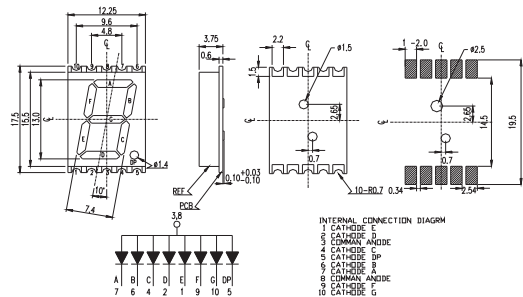
UNIT : mm



Product	Segment Height mm (inch)	Color	Segment Width	CC/CA	λ_d (nm)	Resin Color	Face Color	I_V (Min/Typ) (mcd)
SS406SYGWA/S530-E2	10 (0.4)	● Brilliant Yellow Green	6.2	CA	573	White	Gray	5.6 / 12.5
SS406USRWA/S530-A3/S290	10 (0.4)	● Dark-Red	6.2	CA	631	White	Gray	5.6 / 12.5
SS406UBWA/C470/S290	10 (0.4)	● Blue	6.2	CA	470	White	Gray	15.0 / 40.5
SS406UWWA/S290	10 (0.4)	○ Pure White	6.2	CA	X 0.270 / 0.310 Y 0.222 / 0.343	White	Gray	30.0 / 67.0

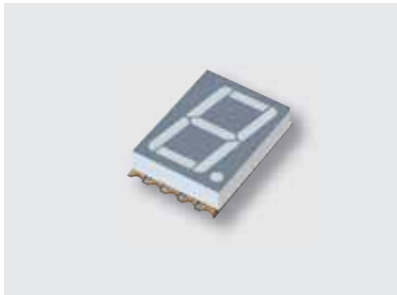


UNIT : mm

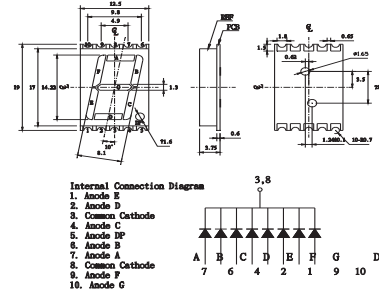


Product	Segment Height mm (inch)	Color	Segment Width	CC/CA	λ_d (nm)	Resin Color	Face Color	I_V (Min/Typ) (mcd)
SS506SYGWA/S530-E2	13.0 (0.5)	● Brilliant Yellow Green	7.4	CA	573	White	Gray	5.6 / 9.1
SS506SURWA/S530-A4/S290	13.0 (0.5)	● Brilliant Red	7.4	CA	624	White	Gray	7.8 / 15.0

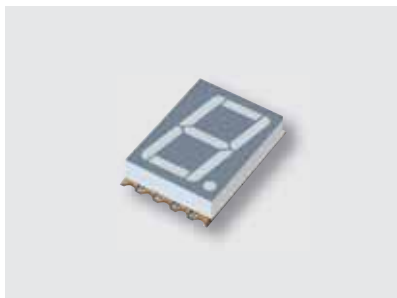
LED Digital Displays | SMD Display | Single Digit Display



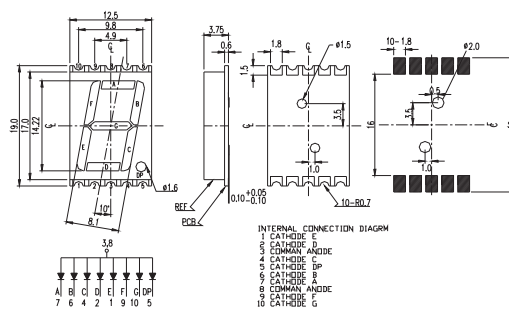
UNIT : mm



Product	Segment Height mm (inch)	Color	Segment Width	CC/CA	λ_d (nm)	Resin Color	Face Color	I_V (Min/Typ) (mcd)
SS511SURWA/S530-A3/S290	14.22 (0.5)	● Hyper Red	8.1	CC	624	White	Gray	15 / 34
SS511SYGWA/S530-E2/S290	14.22 (0.5)	● Brilliant Yellow Green	8.1	CC	573	White	Gray	4 / 8.9
SS511UBWA/C470	14.22 (0.5)	● Blue	8.1	CC	470	White	Gray	11.0 / 24.0

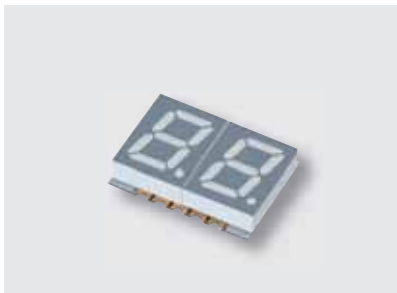


UNIT : mm

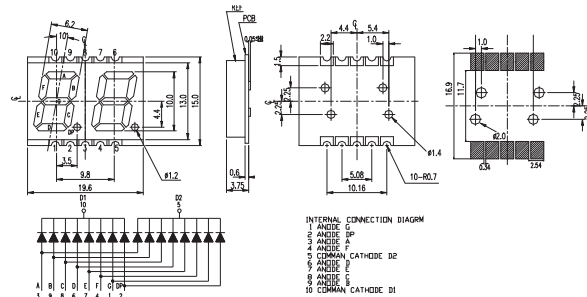


Product	Segment Height mm (inch)	Color	Segment Width	CC/CA	λ_d (nm)	Resin Color	Face Color	I_V (Min/Typ) (mcd)
SS512SURWA/S530-A3/S290	14.22 (0.5)	● Brilliant Red	8.1	CA	624	White	Gray	11 / 24
SS512SYGWA/S530-E2	14.22 (0.5)	● Brilliant Yellow Green	8.1	CA	573	White	Gray	4.0 / 8.9

LED Digital Display | SMD Display | Dual Digit Display

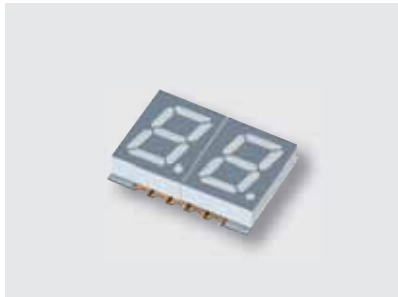


UNIT : mm

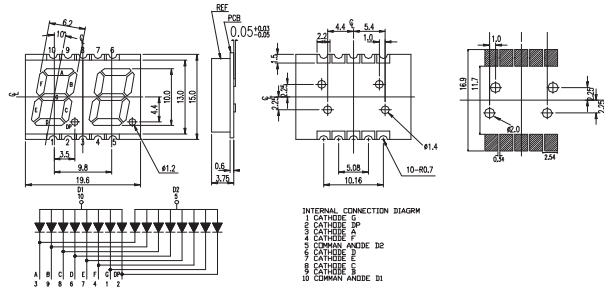


Product	Segment Height mm (inch)	Color	Segment Width	CC/CA	λ_d (nm)	Resin Color	Face Color	I_V (Min/Typ) (mcd)
SD405SURWA/S530-A3/S290	10 (0.4)	● Brilliant Red	6.2	CA	624	White	Gray	7.8 / 17.6
SD405SYGWA/S530-E2	10 (0.4)	● Brilliant Yellow Green	6.2	CA	573	White	Gray	5.6 / 12.5

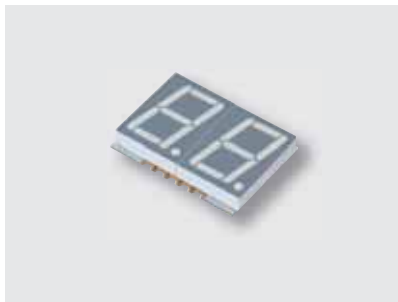
LED Digital Displays | SMD Display | Dual Digit Display



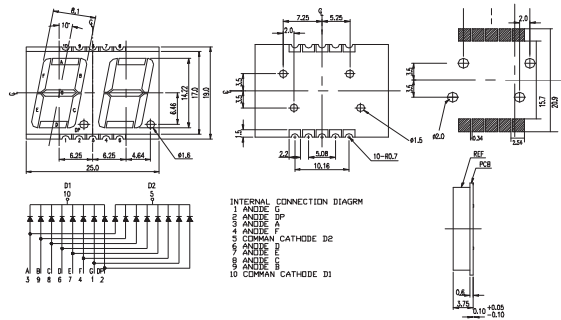
UNIT : mm



Product	Segment Height mm (inch)	Color	Segment Width	CC/CA	λ_d (nm)	Resin Color	Face Color	I_V (Min/Typ) (mcd)
SD406SURWA/S530-A4/S290	10 (0.4)	● Brilliant Red	6.2	CA	624	White	Gray	7.8 / 17.6
SD406SYGWA/S530-E2/S290	10 (0.4)	● Brilliant Yellow Green	6.2	CA	573	White	Gray	5.6 / 12.5



UNIT : mm

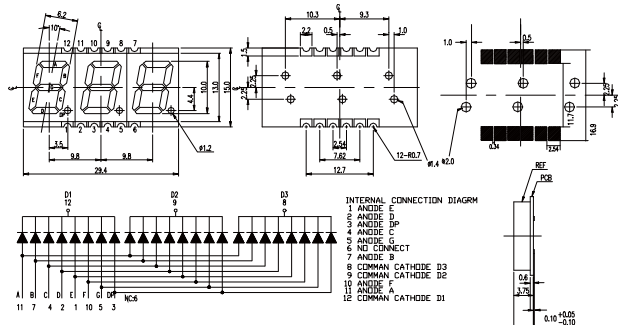


Product	Segment Height mm (inch)	Color	Segment Width	CC/CA	λ_d (nm)	Resin Color	Face Color	I_V (Min/Typ) (mcd)
SD511SYGWA/S530-E2/S290	14.22 (0.5)	● Brilliant Yellow Green	8.1	CC	573	White	Gray	5.6 / 12.5

LED Digital Display | SMD Display | Three Digit Display



UNIT : mm

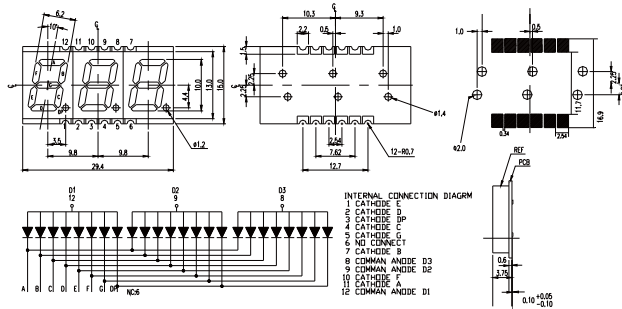


Product	Segment Height mm (inch)	Color	Segment Width	CC/CA	λ_d (nm)	Resin Color	Face Color	I_V (Min/Typ) (mcd)
ST405SYGWA/S530-E2	10 (0.4)	● Brilliant Yellow Green	6.2	CC	573	White	Gray	4.0 / 8.9
ST405UYOWA/S530-A3/S290	10 (0.4)	● Brilliant Orange	6.2	CC	605	White	Gray	18.0 / 34.0
ST405SUGWA/S530-A4/S290	10 (0.4)	● Brilliant Green	6.2	CC	525	White	Gray	21.0 / 48.0

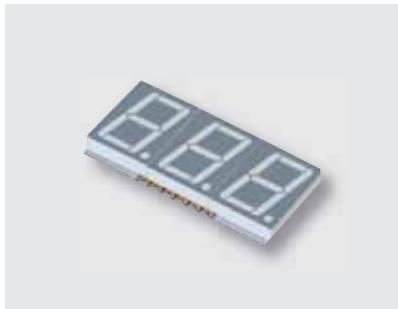
LED Digital Displays | SMD Display | Three Digit Display



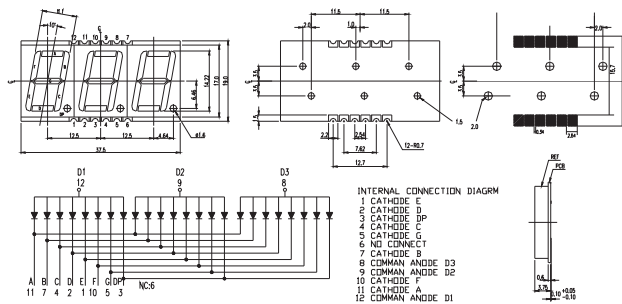
UNIT : mm



Product	Segment Height mm (inch)	Color	Segment Width	CC/CA	λ_d (nm)	Resin Color	Face Color	I_V (Min/Typ) (mcd)
ST406SURWA/S530-A3/S290	10 (0.4)	● Brilliant Red	6.2	CA	624	White	Gray	7.8 / 17.6
ST406SYGWA/S530-E2	10 (0.4)	● Brilliant Yellow Green	6.2	CA	573	White	Gray	4.0 / 8.9



UNIT : mm



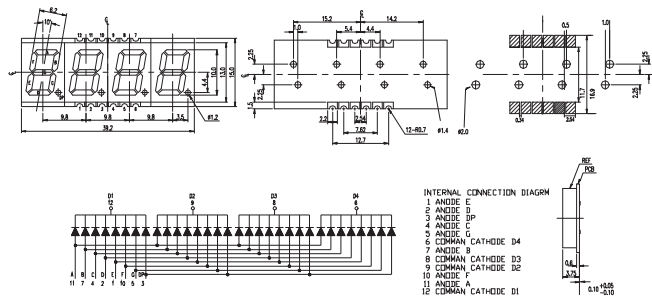
Product	Segment Height mm (inch)	Color	Segment Width	CC/CA	λ_d (nm)	Resin Color	Face Color	I_V (Min/Typ) (mcd)
ST512SURWA/S530-A3/S290	14.22 (0.5)	● Brilliant Red	8.1	CA	624	White	Gray	7.8 / 17.6
ST512SYGWA/S530-E2/S290	14.22 (0.5)	● Brilliant Yellow Green	8.1	CA	573	White	Gray	7.8 / 17.6
ST512UBWA/C470/S290	14.22 (0.5)	● Blue	8.1	CA	470	White	Gray	15.0 / 37.2

LED Digital Displays

LED Digital Displays | SMD Display | Four Digit Display



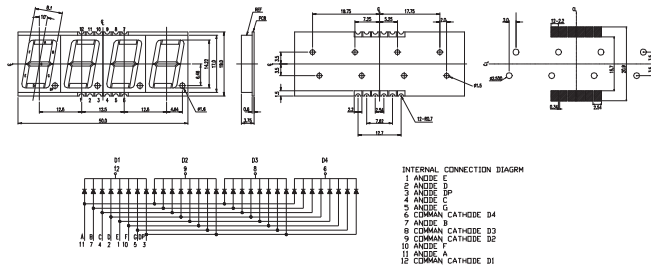
UNIT : mm



Product	Segment Height mm (inch)	Color	Segment Width	CC/CA	λ_d (nm)	Resin Color	Face Color	I_v (Min/Typ) (mcd)
SF405SURWA/S530-A3/S290	10 (0.4)	● Brilliant Red	6.2	CC	624	White	Gray	7.8 / 17.6
SF405UYOWA/A3/S290	10 (0.4)	● Brilliant Orange	6.2	CA	605	White	Gray	11.0 / 24.0



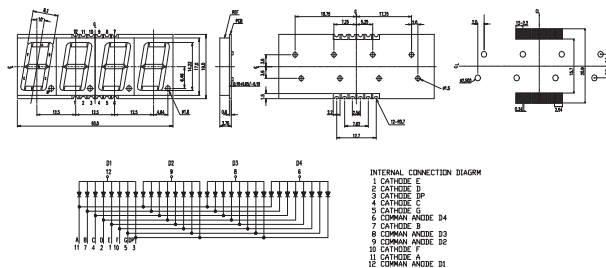
UNIT : mm



Product	Segment Height mm (inch)	Color	Segment Width	CC/CA	λ_d (nm)	Resin Color	Face Color	I_v (Min/Typ) (mcd)
SF511SURWA/S530-A3/S290	14.22 (0.5)	● Brilliant Red	8.1	CC	624	White	Gray	11 / 24
SF511SYGWA/S530-E2/S796	14.22 (0.5)	● Brilliant Yellow Green	8.1	CC	573	White	Gray	4 / 8.9



UNIT : mm

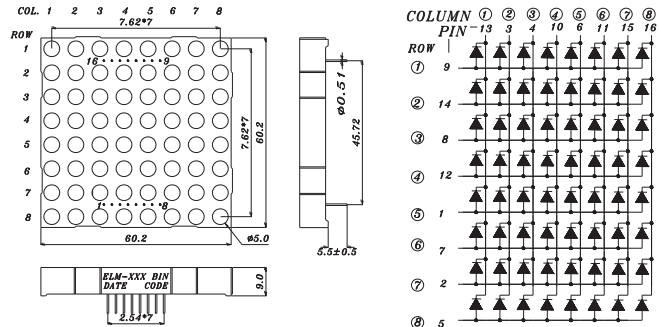


Product	Segment Height mm (inch)	Color	Segment Width	CC/CA	λ_d (nm)	Resin Color	Face Color	I_v (Min/Typ) (mcd)
SF512SURWA/S530-A3/S290	14.22 (0.5)	● Brilliant Red	8.1	CA	624	White	Gray	11 / 24

LED Digital Displays | Dot Matrix Display

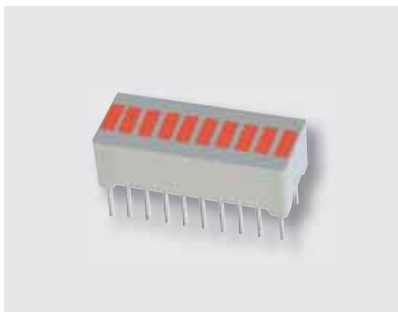


UNIT : mm

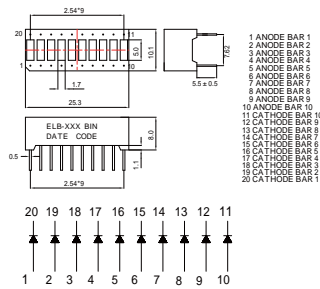


Product	Size (LxWmm)	Color	Segment Width	CC/CA	λ_d (nm)	Resin Color	Face Color	I_v (Min/Typ) (mcd)
M2881SURWA/S530-A3	60.2x60.2	● Brilliant Red	--	CC	624	White	Gray	7.8 / 21
M2881SYGWA/S530-E2	60.2x60.2	● Brilliant Yellow Green	--	CC	573	White	Gray	7.8 / 17.6
M2881UYWA/S530-A3	60.2x60.2	● Brilliant Yellow	--	CC	589	White	Gray	11 / 17.6

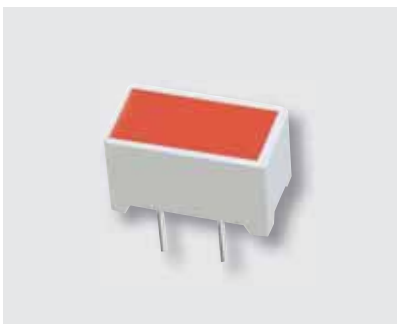
LED Digital Displays | Light Bar Display



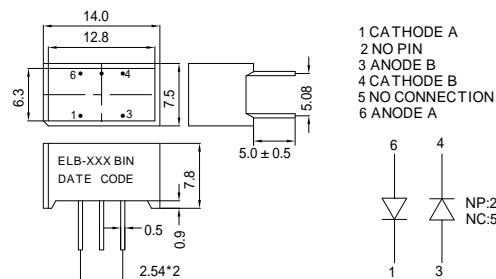
UNIT : mm



Product	Size (LxWmm)	Color	Segment Width	CC/CA	λ_d (nm)	Resin Color	Face Color	I_v (Min/Typ) (mcd)
B1001USOWA/S530-A4	25.3x10.1	● Reddish Orange	--	CC	615	White	Gray	7.8 / 17.6
B1001SYGWA/S530-E2	25.3x10.1	● Brilliant Yellow Green	--	CC	573	White	Gray	2.8 / 4.5



UNIT : mm

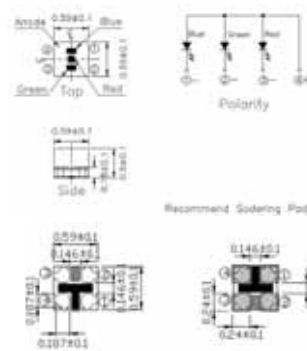


Product	Size (LxWmm)	Color	Segment Width	CC/CA	λ_d (nm)	Resin Color	Face Color	I_v (Min/Typ) (mcd)
B1010SURD/S530-A3	14.0x7.5	● Brilliant Red	--	CA	624	Red	White	11 / 24
B1010SYGD/S530-E3	14.0x7.5	● Brilliant Yellow Green	--	CA	573	Green	White	2.8 / 6.4

Signage LED | Surface Mount Chip LED (PCB)



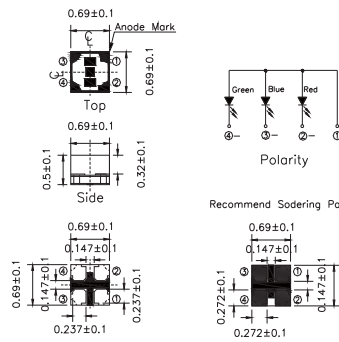
UNIT : mm



Product	Size (LxWxHmm)	Color	λ_d (nm)	I_v (mcd)		V_F (V)		I_F (mA)	Viewing Angle (°)	Application
				Min.	Max.	Min.	Max.			
18-035BD/Series	0.55x0.55x0.5	Red	619~624	15	30	1.6	2.3	5	120	Indoor signage
		Green	524~532	25	50	2.5	3.2			
		Blue	464~472	3	10	2.5	3.2			



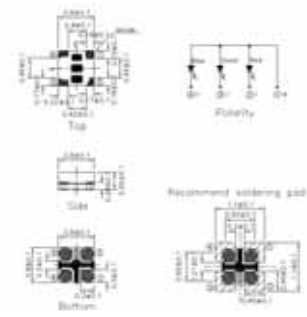
UNIT : mm



Product	Size (LxWxHmm)	Color	λ_d (nm)	I_v (mcd)		V_F (V)		I_F (mA)	Viewing Angle (°)	Application
				Min.	Max.	Min.	Max.			
18-036BD/Series	0.69 x 0.69 x 0.5	Red	619~626	18	39.5	1.7	2.4	5	120	Indoor signage
		Green	523.5~532.5	52	87.9	2.5	3.2			
		Blue	463.5~472.5	8	17.7	2.5	3.2			



UNIT : mm

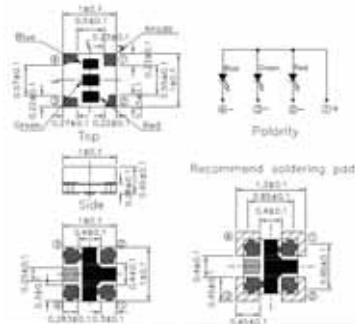


Product	Size (LxWxHmm)	Color	λ_d (nm)	I_v (mcd)		V_F (V)		I_F (mA)	Viewing Angle (°)	Application
				Min.	Max.	Min.	Max.			
18-039B/Series	0.8x0.8x0.65 (4-pin)	Red	619~626	8.8	19.5	1.7	2.4	3	120	Indoor signage
		Green	523.5~532.5	52	87.9	2.5	3.2			
		Blue	463.5~472.5	8	17.7	2.5	3.2			

Signage LED | Surface Mount Chip LED (PCB)



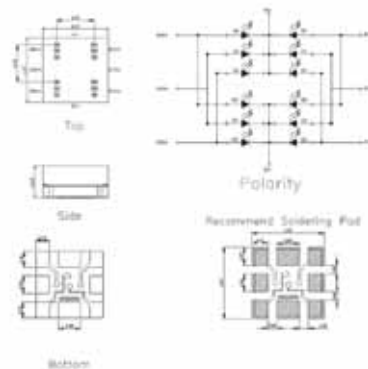
UNIT : mm



Product	Size (LxWxHmm)	Color	λ_d (nm)	I_v (mcd)		V_F (V)		I_F (mA)	Viewing Angle (°)	Application
				Min.	Max.	Min.	Max.			
18-038BT/Series	1.0x1.0x0.65 (4-pin)	● Red	619~626	18	39.5	1.7	2.4	5	120	Indoor signage
		● Green	523.5~532.5	56	94.7	2.5	3.2			
		● Blue	463.5~472.5	8	17.7	2.5	3.2			



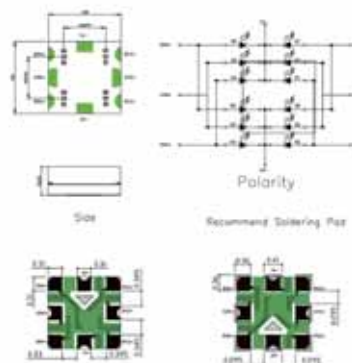
UNIT : mm



Product	Size (LxWxHmm)	Color	λ_d (nm)	I_v (mcd)		V_F (V)		I_F (mA)	Viewing Angle (°)	Application
				Min.	Max.	Min.	Max.			
M4A7A (12-in-1)	1.37x1.37x0.65 (8pin)	● Red	619~624	15	30	1.7	2.4	5/3/2	120	Indoor signage
		● Green	520~535	30	70	2.3	3.1			
		● Blue	460~475	3	10	2.3	3.1			



UNIT : mm

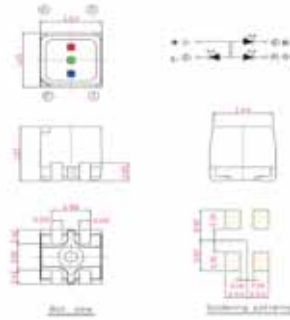


Product	Size (LxWxHmm)	Color	λ_d (nm)	I_v (mcd)		V_F (V)		I_F (mA)	Viewing Angle (°)	Application
				Min.	Max.	Min.	Max.			
M4A9A (12-in-1)	1.62x1.62x0.65 (8pin)	● Red	619~624	15	30	1.7	2.4	5/3/2	120	Indoor signage
		● Green	520~540	30	60	2.3	3.1			
		● Blue	460~475	3	10	2.3	3.1			

Signage LED | Surface Mount PLCC LED (Reflector)



UNIT : mm

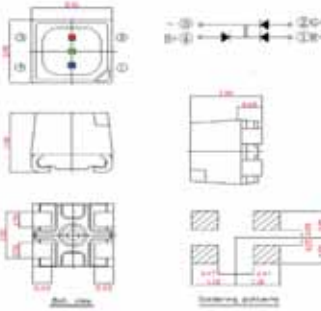


Product	Size (LxWxHmm)	Color	λ_d (nm)	I_v (mcd)		V_F (V)		I_F (mA)	Viewing Angle (°)	Application
				Min.	Max.	Min.	Max.			
HNA1515W-OS01	1.65x1.53x1.65 (4-pin)	Red	614~629	185	408	1.8	2.4	15	110	Outdoor signage
		Green	516~534	196	562	2.4	3.4	8		
		Blue	465~480	35	99	2.4	3.4	5		

• Product Availability : Please visit EVERLIGHT website for more updated information (www.everlight.com) or contact EVERLIGHT sales for regional options.



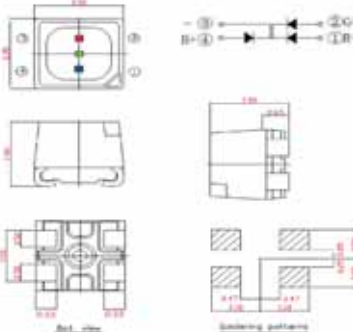
UNIT : mm



Product	Size (LxWxHmm)	Color	λ_d (nm)	I_v (mcd)		V_F (V)		I_F (mA)	Viewing Angle (°)	Application
				Min.	Max.	Min.	Max.			
HNA1921W-OS01	2.15x2.05x1.9	Red	615~630	205	450	1.8	2.4	15	110	Outdoor signage
		Green	516~534	290	630	2.4	3.4	8		
		Blue	465~480	35	75	2.4	3.4	5		



UNIT : mm

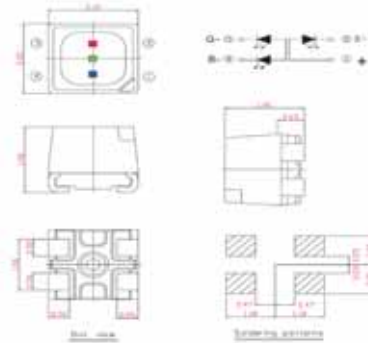


Product	Size (LxWxHmm)	Color	λ_d (nm)	I_v (mcd)		V_F (V)		I_F (mA)	Viewing Angle (°)	Application
				Min.	Max.	Min.	Max.			
HNA1921W-OS02	2.15x2.05x1.9	Red	615~630	205	450	1.8	2.4	15	110	Outdoor signage
		Green	516~534	290	630	2.4	3.4	8		
		Blue	465~480	35	75	2.4	3.4	5		

Signage LED | Surface Mount PLCC LED (Reflector)



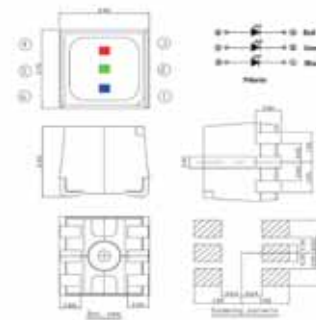
UNIT : mm



Product	Size (LxWxHmm)	Color	λ_d (nm)	I_v (mcd)		V_F (V)		I_F (mA)	Viewing Angle (°)	Application
				Min.	Max.	Min.	Max.			
HNB1921W-OS01	2.5x2.05x1.9	● Red	615~630	362	793	1.8	2.4	15	110	Outdoor signage
		● Green	516~534	515	1470	2.4	3.4	8		
		● Blue	465~480	77	220	2.4	3.4	5		



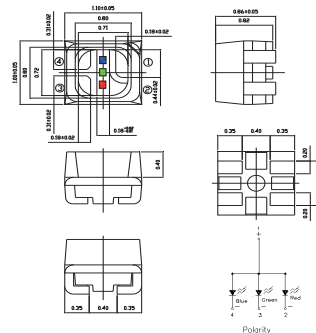
UNIT : mm



Product	Size (LxWxHmm)	Color	λ_d (nm)	I_v (mcd)		V_F (V)		I_F (mA)	Viewing Angle (°)	Application
				Min.	Max.	Min.	Max.			
HNB2727W-OS01	2.8x2.7x2.45 (6-pin)	● Red	615~630	578	1269	1.8	2.6	20	110	Outdoor signage
		● Green	517~535	1004	2206	2.5	3.5	15		
		● Blue	465~480	170	485	2.5	3.5	10		



UNIT : mm

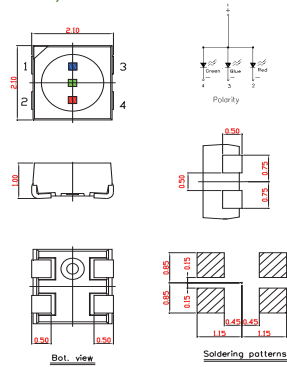


Product	Size (LxWxHmm)	Color	λ_d (nm)	I_v (mcd)		V_F (V)		I_F (mA)	Viewing Angle (°)	Application
				Min.	Max.	Min.	Max.			
HNA1010W-IS02	1.1x1.0x0.86	● Red	615~630	10.7	30.6	1.6	2.4	5	90	Indoor signage
		● Green	517~532	30.6	87.4	2.4	3.4			
		● Blue	462~474	5.5	15.6	2.4	3.4			

Signage LED | Surface Mount PLCC LED (Reflector)



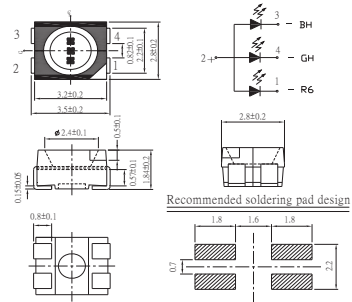
UNIT : mm



Product	Size (LxWxHmm)	Color	λ_d (nm)	I_v (mcd)		V_F (V)		I_F (mA)	Viewing Angle (°)	Application
				Min.	Max.	Min.	Max.			
HNA2121W-IS01	2.1x2.1x1	● Red	615~630	185	408	1.6	2.4	15	110	Indoor signage
		● Green	517~535	255	562	2.4	3.4	8		
		● Blue	465~480	35	76	2.4	3.4	5		



UNIT : mm



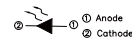
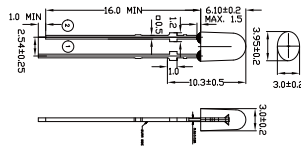
Product	Size (LxWxHmm)	Color	λ_d (nm)	I_v (mcd)		V_F (V)		I_F (mA)	Viewing Angle (°)	Application
				Min.	Max.	Min.	Max.			
67-03A/R6GHBHW-A01/2T/MS	3.5x2.8x1.84 (4 pin)	● Red	620.5~627.5	165	288	1.7	2.6	20	120	Indoor signage
		● Green	513~533	650	1350	2.7	3.6			
		● Blue	456.5~471.5	150	310	2.7	3.6			

Signage LED | Lamp Type LED | 3mm Oval Type

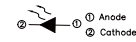
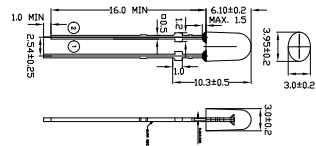


UNIT : mm

3474DKGR
3474DKBR



3474DKRR



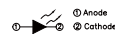
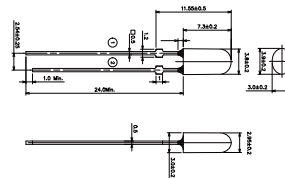
Product	Size (LxWxHmm)	Color	Lens Type	λ_d (nm)	I_v (mcd)		V_F (V)		I_F (mA)	Viewing Angle (°)
					Min.	Max.	Min.	Max.		
3474DKRR/MS	3.95x3x6.1	Red	OVAL	619~629	1976	4600	1.6	2.6	20	90°/45°
3474DKGR/MS	3.95x3x6.1	Green		520~535	5020	12000	2.4	3.4		
3474DKBR/MS	3.95x3x6.1	Blue		460~475	934	2130	2.4	3.4		

• Product Availability : Please visit EVERLIGHT website for more updated information (www.everlight.com) or contact EVERLIGHT sales for regional options.

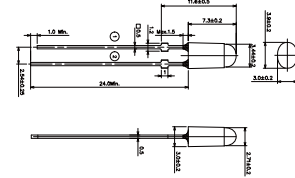


UNIT : mm

3474BKGR
3474BKBR



3474BKRR



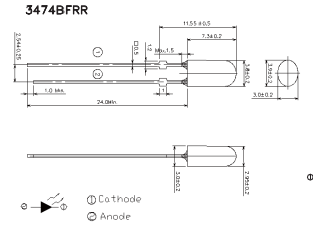
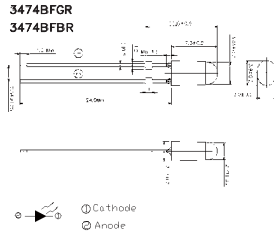
Product	Size (LxWxHmm)	Color	Lens Type	λ_d (nm)	I_v (mcd)		V_F (V)		I_F (mA)	Viewing Angle (°)
					Min.	Max.	Min.	Max.		
3474BKRR/MS	3.9x3x7.3	Red	OVAL	619~629	1205	2490	1.6	2.6	20	110°/60°
3474BKGR/MS	3.9x3x7.3	Green		520~535	2781	5760	2.4	3.4		
3474BKBR/MS	3.9x3x7.3	Blue		460~475	550	1130	2.4	3.4		

• Product Availability : Please visit EVERLIGHT website for more updated information (www.everlight.com) or contact EVERLIGHT sales for regional options.

Signage LED | Lamp Type LED | 3mm Oval Type



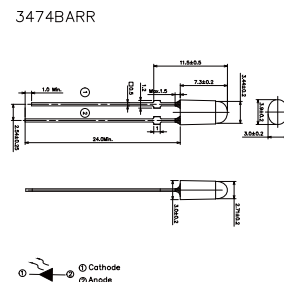
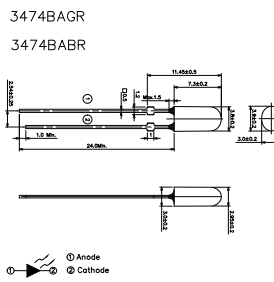
UNIT : mm



Product	Size (LxWxHmm)	Color	Lens Type	λ_d (nm)	I_v (mcd)		V_F (V)		I_F (mA)	Viewing Angle (°)
					Min.	Max.	Min.	Max.		
3474BFRR/MS	3.9x3x7.3	● Red	OVAL	619~629	1205	2490	1.6	2.6	20	110°/60°
3474BFGR/MS	3.9x3x7.3	● Green		520~535	2781	5760	2.4	3.4		
3474BFBR/MS	3.9x3x7.3	● Blue		460~475	550	1130	2.4	3.4		



UNIT : mm



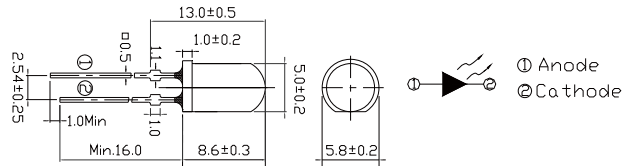
Product	Size (LxWxHmm)	Color	Lens Type	λ_d (nm)	I_v (mcd)		V_F (V)		I_F (mA)	Viewing Angle (°)	
					Min.	Max.	Min.	Max.			
3474BARR	3.9x3x7.3	● Red	OVAL	619~629	715	1573	1.6	2.6	15	110°/60°	
3474BAGR	3.9x3x7.3	● Green		520~535	1230	3515	2.4	3.4			10
3474BABR	3.9x3x7.3	● Blue		460~475	240	685	2.4	3.4			

Signage LED | Lamp Type LED | 5mm Round Type



UNIT : mm

(With Stopper)

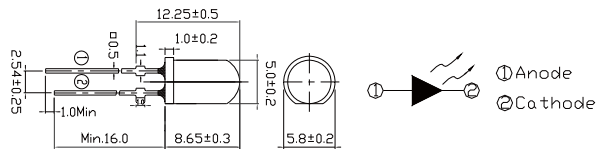


Product	Size (LxWxHmm)	Color	Lens Type	λ_d (nm)	I_v (mcd)		V_F (V)		I_F (mA)	Viewing Angle (°)
					Min.	Max.	Min.	Max.		
333/R5C1-ATWB/MS	5.8x5.0x8.6	● Red	Round	620~628	7150	18000	1.8	2.6	20	15
333/Y5C1-ATWB/MS	5.8x5.0x8.6	● Yellow		586~594	7150	18000	1.8	2.6		15
333/G1C1-AVYA/MS	5.8x5.0x8.6	● Green		525~535	18000	45000	2.8	3.6		15
333/B1C1-ARUA/MS	5.8x5.0x8.6	● Blue		465~475	4500	11250	2.8	3.6		15
333/V7C1-BVXA/MS	5.8x5.0x8.6	● Bluish Green		499~507	11250	22500	2.8	3.6		13



UNIT : mm

(With Stopper)

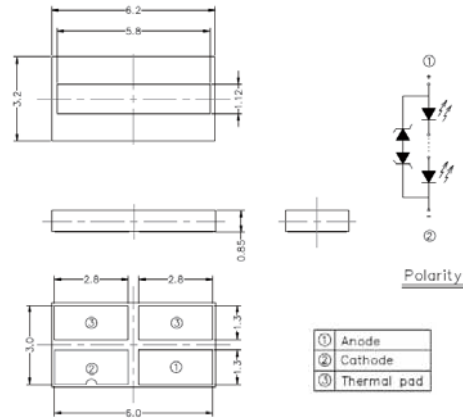


Product	Size (LxWxHmm)	Color	Lens Type	λ_d (nm)	I_v (mcd)		V_F (V)		I_F (mA)	Viewing Angle (°)
					Min.	Max.	Min.	Max.		
7383/R7C3-ARUB/MS	5.8x5.0x8.65	● Red	Round	619~628	4500	11250	1.8	2.6	20	30
7383/Y7C3-ARUB/MS	5.8x5.0x8.65	● Yellow		586~594	4500	11250	1.8	2.6		30
7383/G1C3-ATVA/MS	5.8x5.0x8.65	● Green		525~535	7150	14250	2.8	3.6		30
7383/BAC3-ANQA/MS	5.8x5.0x8.65	● Blue		465~475	2250	4500	2.8	3.6		30
7383/V7C3-ARTA/MS	5.8x5.0x8.65	● Bluish Green		498~513	4500	9000	2.8	3.6		30
7343/R5C2-ASUB/MS	5.8x5.0x8.65	● Red		620~628	5650	11250	1.8	2.6		23
7343/Y5C2-ASVB/MS	5.8x5.0x8.65	● Yellow		586~594	5650	14250	1.8	2.6		23
7343/G1C2-AUWA/MS	5.8x5.0x8.65	● Green		525~535	9000	18000	2.8	3.6		23
7343/B1C2-APSA/MS	5.8x5.0x8.65	● Blue		465~475	2850	7150	2.8	3.6		23
7344/V7C2-ASVA/MS	5.8x5.0x8.65	● Bluish Green		498~513	5650	14250	2.8	3.6		23

Automotive LED | Exterior Application | High Power LED



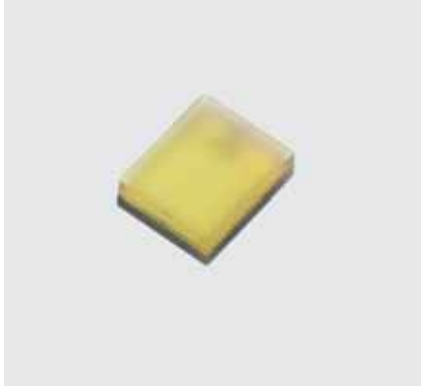
UNIT : mm



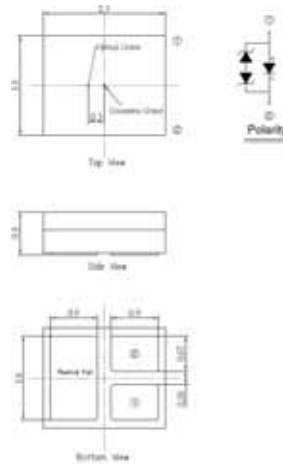
ALFS-B

Product	Size (LxWxHmm)	Color	CIE(K)	I _v Min. (lm)	V _F Min. (V)	V _F Max. (V)	I _F (mA)	Viewing Angle (°)
ALFS5BD-C010001L1-AM	6.2x3.2x0.85	○ White	5180K-6680K	1650	15	17.5	1000	120
ALFS4BD-C010001L1-AM	6.2x3.2x0.85	○ White	5180K-6680K	1330	12	14	1000	120
ALFS3BD-C010001L1-AM	4.0x2.4x0.85	○ White	5180K-6680K	900	9	11	1000	120
ALFS2BD-C010001L1-AM	2.9x2.4x0.85	○ White	5180K-6680K	630	6	7	1000	120
ALFS1BD-C010001L1-AM	2.0x1.6x0.85	○ White	5180K-6680K	320	3	3.5	1000	120

Automotive LED | Exterior Application | High Power LED

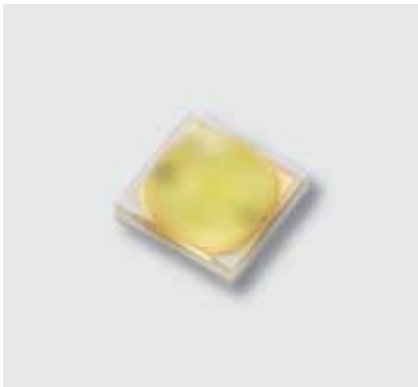


UNIT : mm

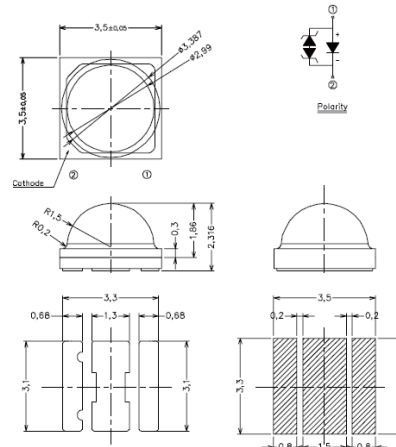


EL 2319

Product	Size (LxWxHmm)	Color	CCT(K)/CIE	I _v Min. (lm)	V _F Min. (V)	V _F Max. (V)	I _F (mA)	Viewing Angle (°)
CH2319-C07001H-AM	2.3x1.9x0.8	○ White	5180K-6680K	250	3	3.5	700	140
CH2319-PA07001H-AM	2.3x1.9x0.8	● PC-Amber	X0.57, Y0.42	160	3	3.5	700	120
CH2319-PR03501H-AM	2.3x1.9x0.8	● PC Red	X0.673, Y0.318	40	3	3.5	350	140
CH2319-UA7001H-AM	2.3x1.9x0.8	● Red	612-624nm	110	2.25	3	700	140



UNIT : mm



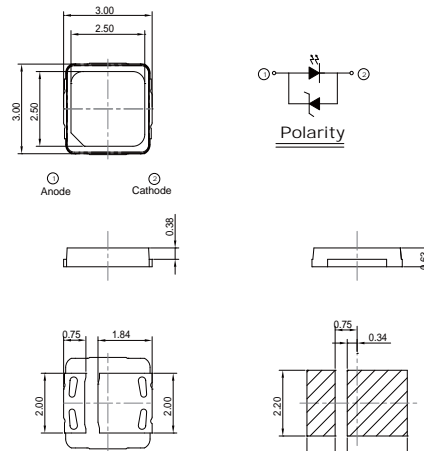
EL 3535E

Product	Size (LxWxHmm)	Color	λ _d (nm)/ CCT(K)/CIE	I _v Min. (lm)	V _F Min. (V)	V _F Max. (V)	I _F (mA)	Viewing Angle (°)
CH3535E-C03501L-AM	3.5x3.5x2.3	○ White	5180~6680K	130	3.0	3.5	350	120
CH3535E-UR3501L-AM	3.5x3.5x2.3	● Red	615~627nm	70	1.75	2.75	350	120
CH3535E-PA3501H-AM	3.5x3.5x2.3	● PC-Amber	X0.57, Y0.42	110	3	3.5	350	120
CH3535E-SR3501L-AM	3.5x3.5x2.3	● Super Red	627-639nm	45	1.75	2.75	350	120
CH3535E-UY3501H-AM	3.5x3.5x2.3	● Yellow	585-594nm	60	1.75	2.75	350	120
CH3535E-PR3501H-AM	3.5x3.5x2.3	● PC Red	X0.673, Y0.318	45	3	3	350	120

Automotive LED | Exterior Application | High Power LED



UNIT : mm



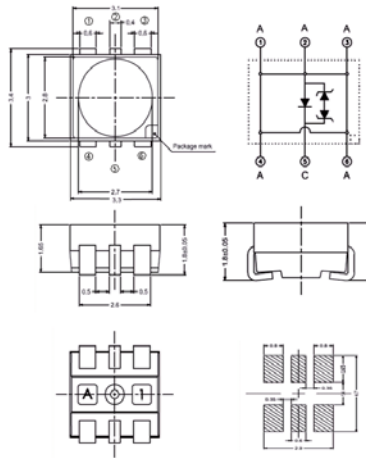
EL 3030E

Product	Size (LxWxHmm)	Color	λ_d (nm)/CCT(K)/CIE	I_v Min. (lm)	V_F Min. (V)	V_F Max. (V)	I_F (mA)	Viewing Angle (°)
XI3030-C03501M-AM	3.0x3.0x0.63	○ White	5180-6680K	100	2.5	3.5	350	120
XI3030-UR3501H-AM	3.0x3.0x0.63	● Red	606-621nm	39	1.75	3.0	350	120
XI3030-PA3501H-AM	3.0x3.0x0.63	● PC-Amber	X0.57,Y0.42	52	2.5	3.5	350	120
XI3030-SR3501H-AM	3.0x3.0x0.63	● Super Red	627-639nm	23	1.75	3.0	350	120
XI3030-C01501M-AM	3.0x3.0x0.63	○ White	5180-6680K	45	2.5	3.5	150	120
XI3030-PA1501M-AM	3.0x3.0x0.63	● PC-Amber	X0.57,Y0.42	27	2.75	3.75	150	120
XI3030-UR1501M-AM	3.0x3.0x0.63	● Red	612-621nm	22	2	3	150	120
XI3030-CO2501M-AM	3.0x3.0x0.63	○ White	5180-6680K	52	2.75	3.75	250	120
XI3030-PA2501M-AM	3.0x3.0x0.63	● PC-Amber	X0.57,Y0.42	39	2.75	3.75	250	120
XI3030-UR2501M-AM	3.0x3.0x0.63	● Red	606-621nm	27	2	3	250	120

Automotive LED | Exterior Application | Mid Power LED



UNIT : mm



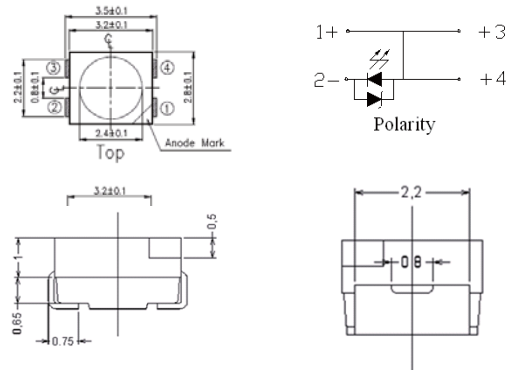
EL Advanced Power Top View

Product	Size (LxWxHmm)	Color	λ_d (nm)/ CCT(K)/CIE	I_v Min. (mcd)	V_F Min. (V)	V_F Max. (V)	I_F (mA)	Viewing Angle (°)
A09K-C71501H-AM	3.4x3.4x1.8	○ White	X0.3, Y0.3	9000	2.75	3.75	150	120
A09K-UR1501H-AM	3.4x3.4x1.8	● Red	612~621nm	7100	1.75	2.75	150	120
A09K-SR1501H-AM	3.4x3.4x1.8	● Super Red	627~639nm	3550	1.75	2.75	150	120
A09K-UY1501H-AM	3.4x3.4x1.8	● Yellow	582~594nm	3550	1.75	2.75	150	120
A09K-PA1501H-AM	3.4x3.4x1.8	● PC-Amber	X 0.57, Y 0.42	5600	2.75	3.75	150	120

Automotive LED | Exterior Application | Low Power LED



UNIT : mm

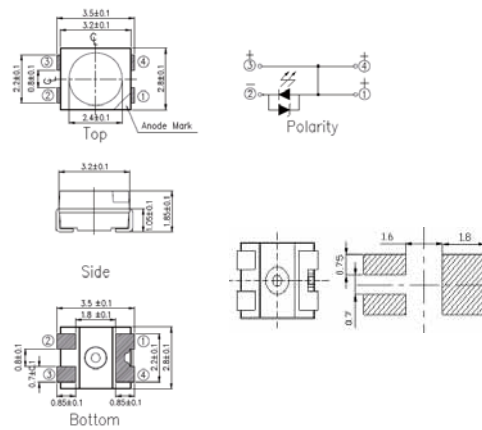


EL Power Top View PLCC-4

Product	Size (LxWxHmm)	Color	λ_d (nm)/ CCT(K)	I_v Min. (mcd)	V_F Min. (V)	V_F Max. (V)	I_F (mA)	Viewing Angle (°)
67-41-C70301H-AM	3.5x2.8x1.85	○ White	5180~6680K	2240	2.75	3.75	30	120
67-41R-UR0501H-AM	3.5x2.8x1.85	● Red	612~624nm	1800	1.75	2.75	50	120
67-41R-SR0501H-AM	3.5x2.8x1.85	● Super Red	627~639nm	1400	1.75	2.75	50	120
67-41-UY0501H-AM	3.5x2.8x1.85	● Yellow	585~594nm	1400	1.75	2.75	50	120
67-41-PA0601H-AM	3.5x2.8x1.85	● PC-Amber	X0.57,Y0.42	2240	2.75	3.75	60	120



UNIT : mm



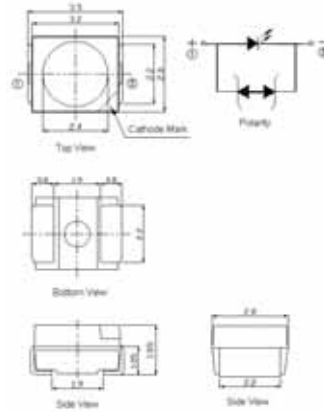
EL Power Top View PLCC-3

Product	Size (LxWxHmm)	Color	λ_d (nm)/ CCT(K)	I_v Min. (mcd)	V_F Min. (V)	V_F Max. (V)	I_F (mA)	Viewing Angle (°)
67-31-C70301H-AM	3.5x2.8x1.85	○ White	5180~6680K	2240	2.75	3.75	30	120
67-31-UR0501H-AM	3.5x2.8x1.85	● Red	612~624nm	1800	1.75	2.75	50	120
67-31-UY0501H-AM	3.5x2.8x1.85	● Yellow	585~594nm	1400	1.75	2.75	50	120

Automotive LED | Exterior Application | Low Power LED



UNIT : mm

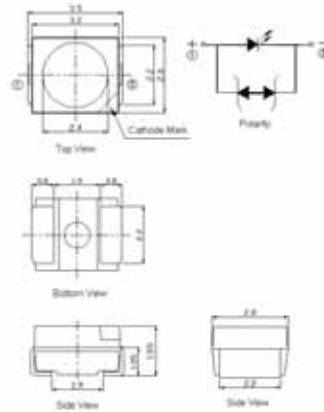


EL Top View

Product	Size (LxWxHmm)	Color	λ_d (nm)/CIE	I_v Min. (mcd)	V_F Min. (V)	V_F Max. (V)	I_F (mA)	Viewing Angle (°)
67-11-C70201H-AM	3.5x2.8x1.85	○ White	X=0.227~0.365 Y=0.205~0.408	1400	2.75	3.75	20	120
67-21-UR0201H-AM	3.5x2.8x1.85	● Red	612~624nm	710	1.75	2.75	20	120
67-21-UY0201H-AM	3.5x2.8x1.85	● Yellow	585~594nm	710	1.75	2.75	20	120



UNIT : mm



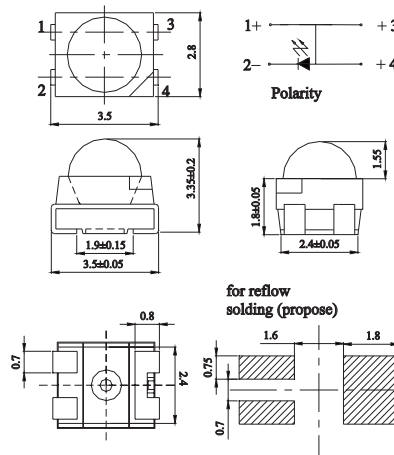
EL Top View

Product	Size (LxWxHmm)	Color	λ_d (nm)/CIE(K)	I_v Min. (mcd)	V_F Min. (V)	V_F Max. (V)	I_F (mA)	Viewing Angle (°)
67-11-C70200H-AM	3.5x2.8x1.85	○ White	X=0.227~0.365 Y=0.205~0.408	1400	2.75	3.75	20	120
67-11-IB0100L-AM	3.5x2.8x1.85	○ Ice Blue	X=0.132~0.245 Y=0.117~0.360	224	2.75	3.75	10	120
67-11-SB0100L-AM	3.5x2.8x1.85	● Sky Blue	X=0.143~0.180 Y=0.055~0.109	112	2.75	3.75	10	120
67-11-UB0200H-AM	3.5x2.8x1.85	● Blue	463~475nm	224	2.75	3.75	20	120
67-11-UG0200H-AM	3.5x2.8x1.85	● Green	520~535nm	1120	2.75	3.75	20	120
67-21-UR0200H-AM	3.5x2.8x1.85	● Red	618~627nm	710	1.75	2.75	20	120
67-21-UR0200L-AM	3.5x2.8x1.85	● Red	618~630nm	140	1.75	2.75	20	120
67-21-UY0200H-AM	3.5x2.8x1.85	● Yellow	585~594nm	710	1.75	2.75	20	120
67-21-UY0200L-AM	3.5x2.8x1.85	● Yellow	582~594nm	140	1.75	2.75	20	120

Automotive LED | Exterior Application | Low Power LED



UNIT : mm



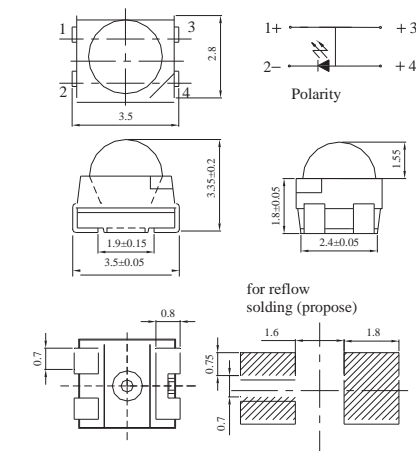
EL Top View Lens 30°

Product	Size (LxWxHmm)	Color	λ_d (nm)	I_v Min. (mcd)	V_F Min. (V)	V_F Max. (V)	I_F (mA)	Viewing Angle (°)
67-31EP3-UR0500H-AM	3.5x2.8x3.35	● Red	612-624nm	5600	1.75	2.75	50	30
67-31EP3-UY0500H-AM	3.5x2.8x3.35	● Yellow	582-594nm	5600	1.75	2.75	50	30

Automotive LED | Interior Application | Low Power LED



UNIT : mm



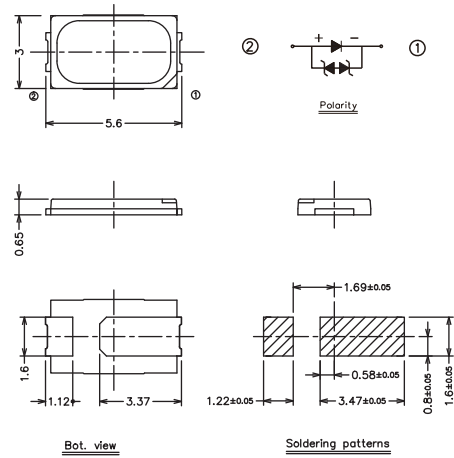
EL Top View Lens 60°

Product	Size (LxWxHmm)	Color	λ_d (nm)	I_v Min. (mcd)	V_F Min. (V)	V_F Max. (V)	I_F (mA)	Viewing Angle (°)
67-31EP6-UR0500H-AM	3.5x2.8x3.35	● Red	612-624nm	3550	1.75	2.75	50	60
67-31EP6-UY0500H-AM	3.5x2.8x3.35	● Yellow	582-594nm	2800	1.75	2.75	50	60

Automotive LED | Interior Application | Low Power LED



UNIT : mm

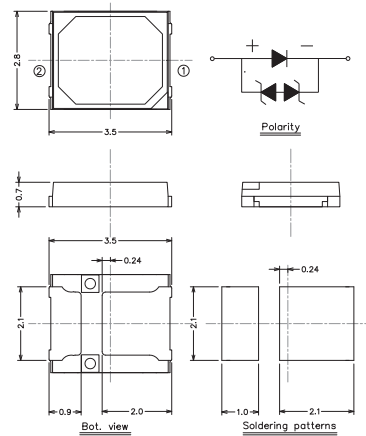


EL 5630D

Product	Size (LxWxHmm)	Color	CCT(K)	I _v Min. (lm)	V _F Min. (V)	V _F Max. (V)	I _F (mA)	Viewing Angle (°)
62-117D-W80650H-AM	5.6x3.0x0.65	○White	2700~3500K	24	2.5	3.5	65	120
62-117D-N80650H-AM	5.6x3.0x0.65	○White	4000~4500K	24	2.5	3.5	65	120
62-117D-C80650H-AM	5.6x3.0x0.65	○White	5000~6500K	24	2.5	3.5	65	120



UNIT : mm



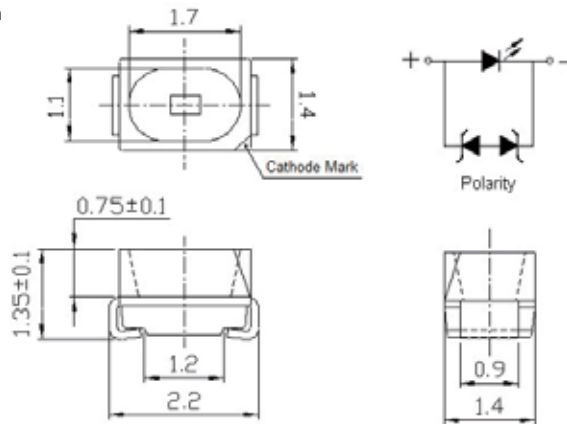
EL 2835

Product	Size (LxWxHmm)	Color	CCT(K)	I _v Min. (lm)	V _F Min. (V)	V _F Max. (V)	I _F (mA)	Viewing Angle (°)
67-11S-G81000H-AM	2.8x3.5x0.7	○White	2700~6500K	35	2.5	3.5	100	120
67-11S-G91000H-AM	2.8x3.5x0.7	○White	2700~6500K	30	2.5	3.5	100	120

Automotive LED | Interior Application | Low Power LED



UNIT : mm



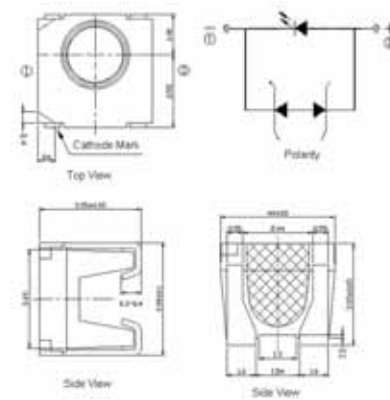
EL Mini Top View

Product	Size (LxWxHmm)	Color	λ_d (nm)/ CIE(K)	I_v Min. (mcd)	V_F Min. (V)	V_F Max. (V)	I_F (mA)	Viewing Angle (°)
65-11-C70200H-AM	2.2x1.4x1.35	○ White	X=0.227~0.365 Y=0.205~0.408	1400	2.75	3.75	20	120
65-11-IB0100L-AM	2.2x1.4x1.35	○ Ice Blue	X=0.132~0.245 Y=0.117~0.360	224	2.75	3.75	10	120
65-11-SB0100L-AM	2.2x1.4x1.35	● Sky Blue	X=0.143~0.180 Y=0.055~0.109	112	2.75	3.75	10	120
65-11-UB0200L-AM	2.2x1.4x1.35	● Blue	463~475nm	224	2.75	3.75	20	120
65-11-UG0200H-AM	2.2x1.4x1.35	● Green	520~535nm	900	2.75	3.75	20	120
65-21-UR0200H-AM	2.2x1.4x1.35	● Red	618~627nm	710	1.75	2.75	20	120
65-21-UY0200H-AM	2.2x1.4x1.35	● Yellow	585~594nm	710	1.75	2.75	20	120

Automotive LED | Interior Application | Low Power LED



UNIT : mm



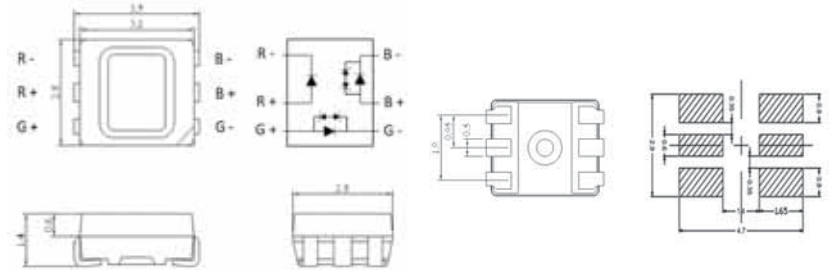
EL Side View

Product	Size (LxWxHmm)	Color	λ_d (nm)/ CIE(K)	I_v Min. (mcd)	V_F Min. (V)	V_F Max. (V)	I_F (mA)	Viewing Angle (°)
57-11-C70200H-AM	4.0x4.0x3.55	○ White	X: 0.258-0.3582 Y: 0.227-0.3792	900	2.75	3.75	20	120
57-11-IB0100L-AM	4.0x4.0x3.55	○ Ice Blue	X: 0.1324-0.2395 Y: 0.1201-0.3605	140	2.75	3.75	10	120
57-11-SB0100L-AM	4.0x4.0x3.55	● Sky Blue	X: 0.1378-0.1700 Y: 0.0620-0.1252	140	2.75	3.75	10	120
57-11-UB0200H-AM	4.0x4.0x3.55	● Blue	463nm~475nm	224	2.75	3.75	20	120
57-21-UR0200H-AM	4.0x4.0x3.55	● Red	618nm~627nm	710	1.75	2.75	20	120
57-21-UY0200H-AM	4.0x4.0x3.55	● Yellow	585nm~594nm	710	1.75	2.75	20	120

Automotive LED | Interior Application | Low Power LED



UNIT : mm



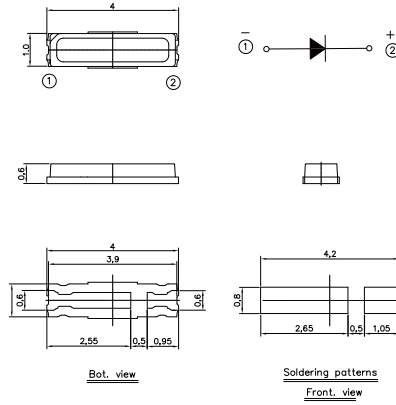
EL Top View RGB

Product	Size (LxWxHmm)	Color	λ_d (nm)	I_v Min. (mcd)	I_v Max. (mcd)	V_F Min. (V)	V_F Max. (V)	I_F (mA)	Viewing Angle (°)
67-63-RGB0201H-AM	3.5x2.8x1.4	● Red	621~636nm	560	1120	1.75	2.75	20	120
		● Green	520~535nm	1120	1800	2.75	3.75		
		● Blue	447~471nm	180	450	2.75	3.75		

Backlighting LED | TV/Monitor | Edge



UNIT : mm

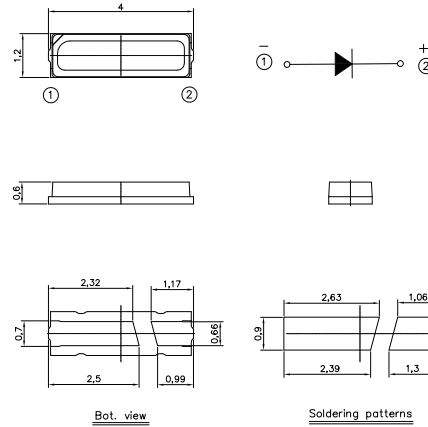


4010

Product	Size (LxWxHmm)	Color	Power(W)	CIE(x,y)	Iv (lm)	VF (V)	Viewing Angle(°)
BL-4010NN1T	4.0x1.0x0.6	○White	0.2	X=0.28, Y=0.26	18-28	2.7-3.4	120



UNIT : mm



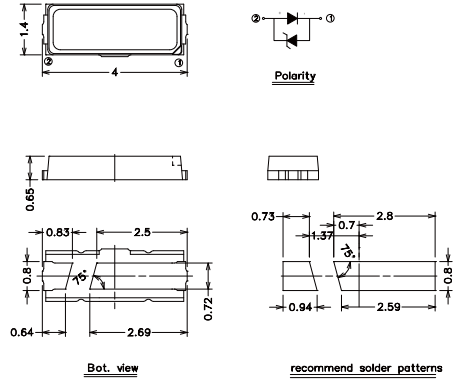
4012

Product	Size (LxWxHmm)	Color	Power(W)	CIE(x,y)	Iv (lm)	VF (V)	Viewing Angle(°)
BL-4012NN1T	4.0x1.2x0.6	○White	0.4	X=0.28, Y=0.26	36-46	2.7-3.4	120

Backlighting LED | TV/Monitor | Edge



UNIT : mm

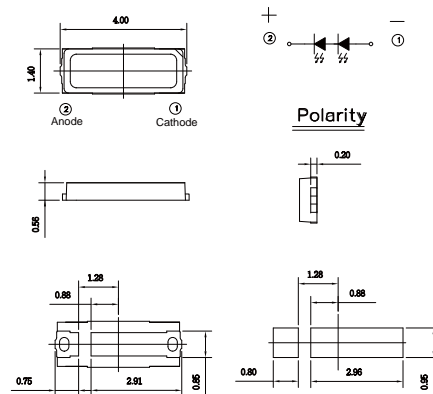


4014

Product	Size (LxWxHmm)	Color	Power(W)	CIE(x,y)	Iv (lm)	VF (V)	Viewing Angle(°)
BL-4014CZ1T	4.0x1.4x0.65	○ White	0.4	X=0.28, Y=0.26	38-48	2.7-3.4	120



UNIT : mm



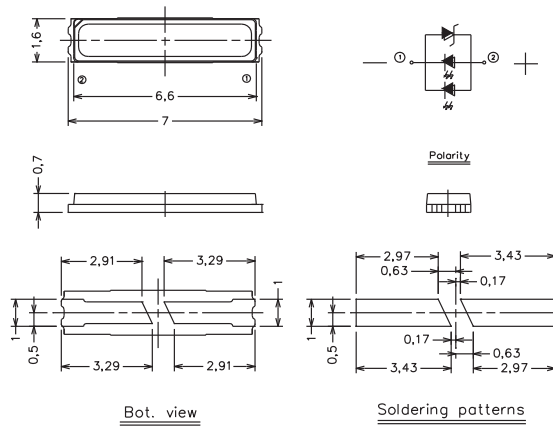
4014

Product	Size (LxWxHmm)	Color	Power(W)	CIE(x,y)	Iv (lm)	VF (V)	Viewing Angle(°)
BL-4014PN2U	4.0x1.4x0.56	○ White	0.8	X=0.28, Y=0.26	86-96	2.7-3.4	120

Backlighting LED | TV/Monitor | Edge



UNIT : mm

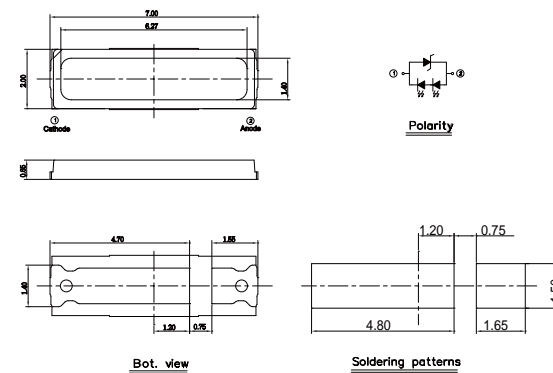


7016

Product	Size (LxWxHmm)	Color	Power(W)	CIE(x,y)	Iv (lm)	VF (V)	Viewing Angle(°)
BL-7016NZ2T	7.0x1.6x0.7	○White	0.8	X=0.28, Y=0.26	86-96	2.7-3.4	120



UNIT : mm

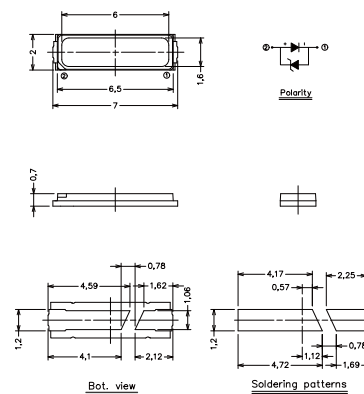


7020

Product	Size (LxWxHmm)	Color	Power(W)	CIE(x,y)	Iv (lm)	VF (V)	Viewing Angle(°)
BL-7020PZ2U	7.0x2.0x0.65	○White	1.0	X=0.29, Y=0.29	104-114	5.8-6.4	120



UNIT : mm



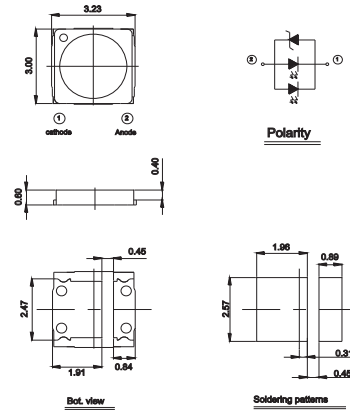
7020

Product	Size (LxWxHmm)	Color	Power(W)	CIE(x,y)	Iv (lm)	VF (V)	Viewing Angle(°)
BL-7020NZ1T	7.0x2.0x0.7	○White	0.4	X=0.29, Y=0.29	47-51	2.7-3.4	120

Backlighting LED | TV/Monitor | Direct



UNIT : mm

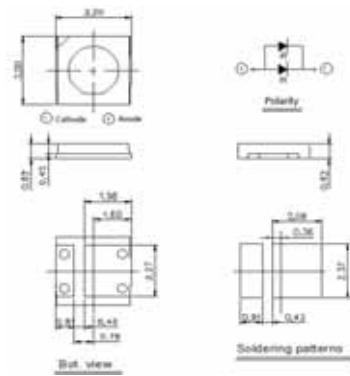


3030 Punch 2.6φ

Product	Size (LxWxHmm)	Color	Power(W)	CIE(x,y)	Iv (lm)	VF (V)	Viewing Angle(°)
BL-3030AZ2E	3.0x3.0x0.6	○ White	1.8	X=0.2735, Y=0.2293	175-195	3.0-3.6	120



UNIT : mm



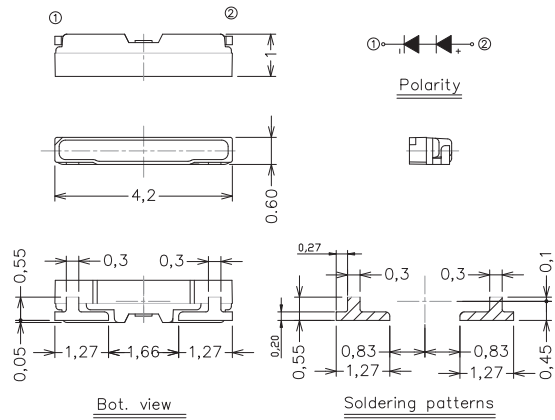
3030 punch 2.1φ

Product	Size (LxWxHmm)	Color	Power(W)	CIE(x,y)	Iv (lm)	VF (V)	Viewing Angle(°)
BL-3030CN2E	3.0x3.0x0.62	○ White	1.8	X=0.2735, Y=0.2293	170-190	3.0-3.6	120

Backlighting LED | Portable | Side View



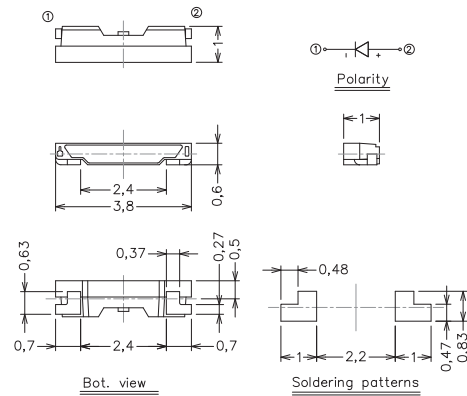
UNIT : mm



Product	Size (LxWxHmm)	Color	Power(W)	CIE(x,y)	Iv (lm)	VF (V)	Viewing Angle(°)
BL-4206SN2P	4.2x1.0x0.6	○White	0.12	X=0.295, Y=0.28	14-17	5.4-6.8	120



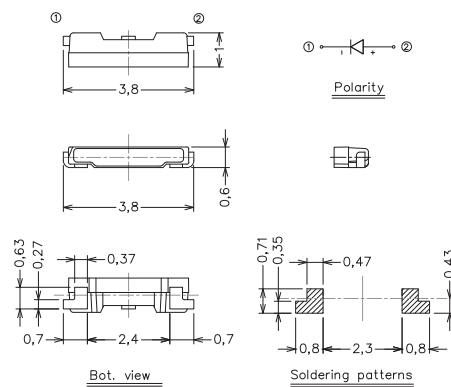
UNIT : mm



Product	Size (LxWxHmm)	Color	Power(W)	CIE(x,y)	Iv (lm)	VF (V)	Viewing Angle(°)
BL-3806NN1P	3.8x1.0x0.6	○White	0.06	X=0.295, Y=0.28	6.0 0-8.00	2.7-3.4	120



UNIT : mm

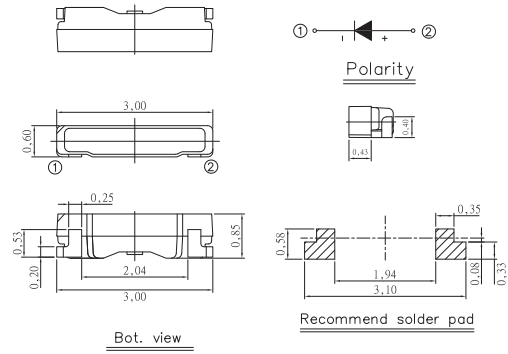


Product	Size (LxWxHmm)	Color	Power(W)	CIE(x,y)	Iv (lm)	VF (V)	Viewing Angle(°)
BL-3806KN1P	3.8x1.0x0.6	○White	0.06	X=0.295, Y=0.28	7.00-9.00	2.7-3.4	120

Backlighting LED | Portable | Side View



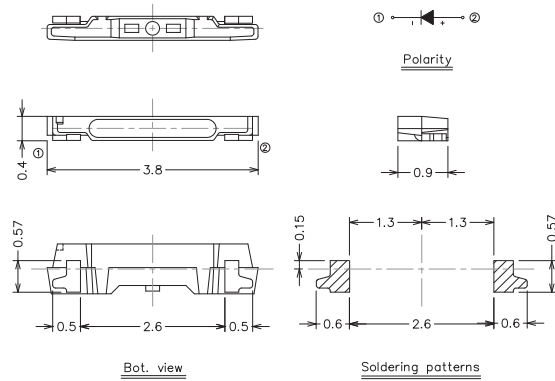
UNIT : mm



Product	Size (LxWxHmm)	Color	Power(W)	CIE(x,y)	Iv (lm)	VF (V)	Viewing Angle(°)
BL-3006NN1P	3.0x0.85x0.6	○White	0.06	X=0.295, Y=0.28	6.75-9.00	2.7-3.4	120



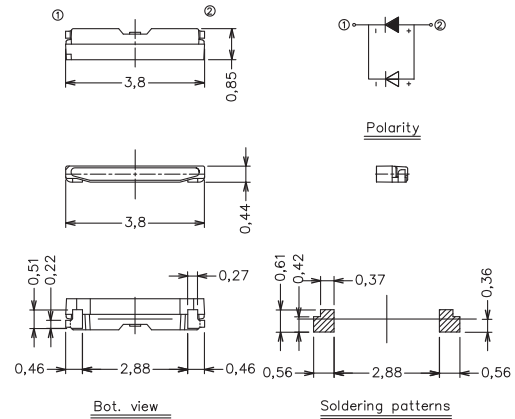
UNIT : mm



Product	Size (LxWxHmm)	Color	Power(W)	CIE(x,y)	Iv (lm)	VF (V)	Viewing Angle(°)
BL-3804GN1P	3.8x0.9x0.4	○White	0.06	X=0.295, Y=0.28	6.25-9.00	2.7-3.4	120



UNIT : mm

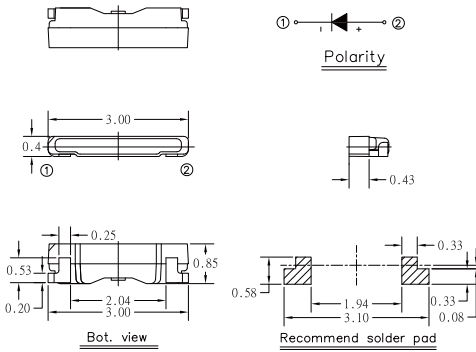


Product	Size (LxWxHmm)	Color	Power(W)	CIE(x,y)	Iv (lm)	VF (V)	Viewing Angle(°)
BL-3804TN1P	3.8x0.85x0.4	○White	0.06	X=0.295, Y=0.28	6.25-9.00	2.7-3.4	120

Backlighting LED | Portable | Side View



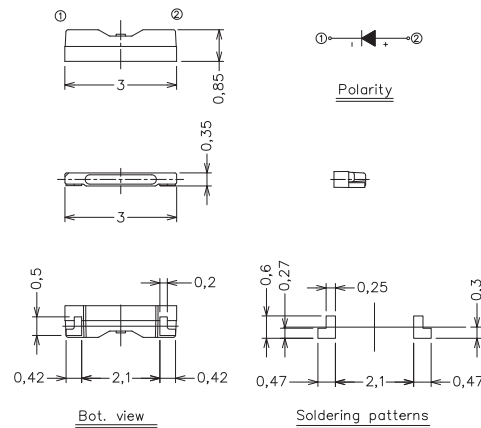
UNIT : mm



Product	Size (LxWxHmm)	Color	Power(W)	CIE(x,y)	Iv (lm)	VF (V)	Viewing Angle(°)
BL-3004TN1P	3.0x0.85x0.4	○White	0.06	X=0.295, Y=0.28	6.25-8.50	2.7-3.4	115



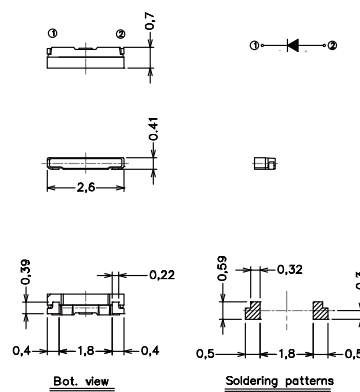
UNIT : mm



Product	Size (LxWxHmm)	Color	Power(W)	CIE(x,y)	Iv (lm)	VF (V)	Viewing Angle(°)
BL-2604DN1P	2.6x0.7x0.4	○White	0.06	X=0.295, Y=0.28	5.50-8.25	2.7-3.4	115



UNIT : mm

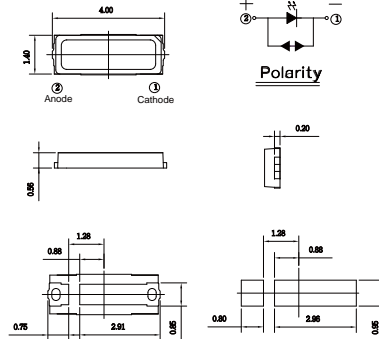


Product	Size (LxWxHmm)	Color	Power(W)	CIE(x,y)	Iv (lm)	VF (V)	Viewing Angle(°)
BL-3003NN1P	3.0x0.85x0.3	○White	0.06	X=0.295, Y=0.28	5.25-7.75	2.7-3.4	115

Backlighting LED | Automotive



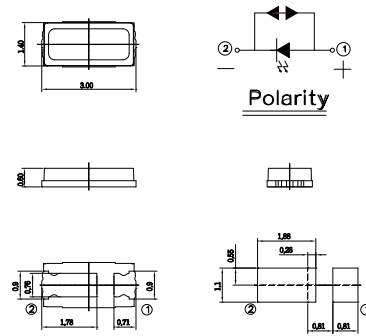
UNIT : mm



Product	Size (LxWxHmm)	Color	Power(W)	CIE(x,y)	Iv (lm)	VF (V)	Viewing Angle(°)
BLA-4014PZ1E	4.0x1.4x0.56	○White	0.4	X=0.277, Y=0.247	22-56	2.7-3.4	120



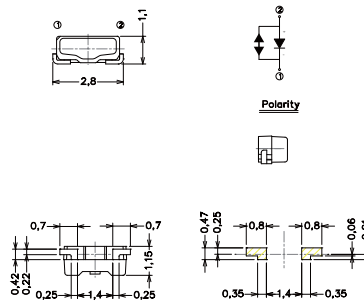
UNIT : mm



Product	Size (LxWxHmm)	Color	Power(W)	CIE(x,y)	Iv (lm)	VF (V)	Viewing Angle(°)
BLA-3014PZ1U	3.0x1.4x0.6	○White	0.4	X=0.277, Y=0.247	22-40	2.7-3.4	120



UNIT : mm

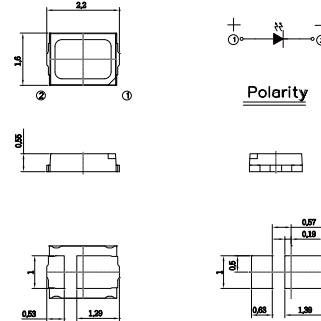


Product	Size (LxWxHmm)	Color	Power(W)	CIE(x,y)	Iv (lm)	VF (V)	Viewing Angle(°)
BLA-2810NZ1T	2.8x1.1x1.15	○White	0.4	X=0.277, Y=0.247	20-38	2.7-3.4	120

Backlighting LED | Local Dimming



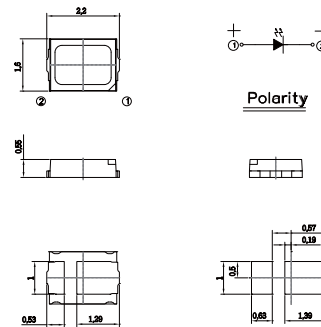
UNIT : mm



Product	Size (LxWxHmm)	Color	Power(W)	λ_d /(nm)CIE(x,y)	Iv	V _F (V)	Viewing Angle (°)
BL-2016NN1TBW	2.0x1.6x0.55	● Blue	0.03	447.5~457.5	8-20mW	2.5-3	120
BL-2016NN1THBC	2.0x1.6x0.55	○ White	0.03	X=0.2685, Y=0.232	1-5lm	2.5-3	120

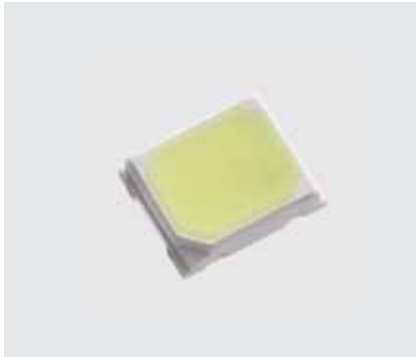


UNIT : mm

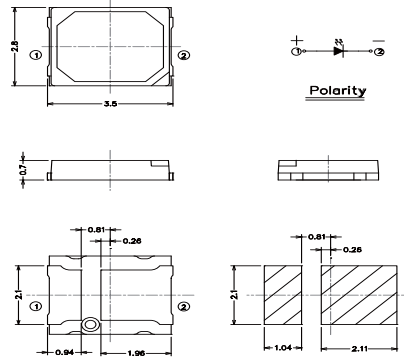


Product	Size (LxWxHmm)	Color	Power(W)	λ_d /(nm)CIE(x,y)	Iv	V _F (V)	Viewing Angle (°)
BL-2016HC	2.0x1.6x0.55	● Blue	0.0265-0.032	447.5~457.5	9-13mW	2.65-3.2	130-145

Backlighting LED | Local Dimming



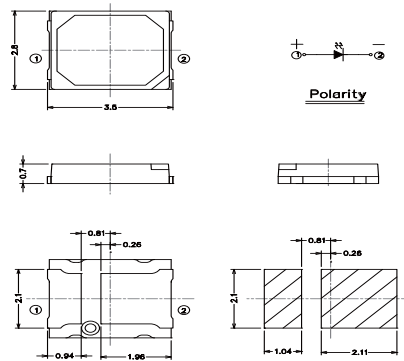
UNIT : mm



Product	Size (LxWxHmm)	Color	Power(W)	λ_d (nm)CIE(x,y)	lv	V_F (V)	Viewing Angle (°)
BL-2835NN1TBW	3.5x2.8x0.7	● Blue	0.03	447.5~457.5	10-26(mW)	2.5-3	120
BL-2835NN1THBC	3.5x2.8x0.7	○ White	0.03	X=0.2685, Y=0.232	1-5(lm)	2.5-3	120

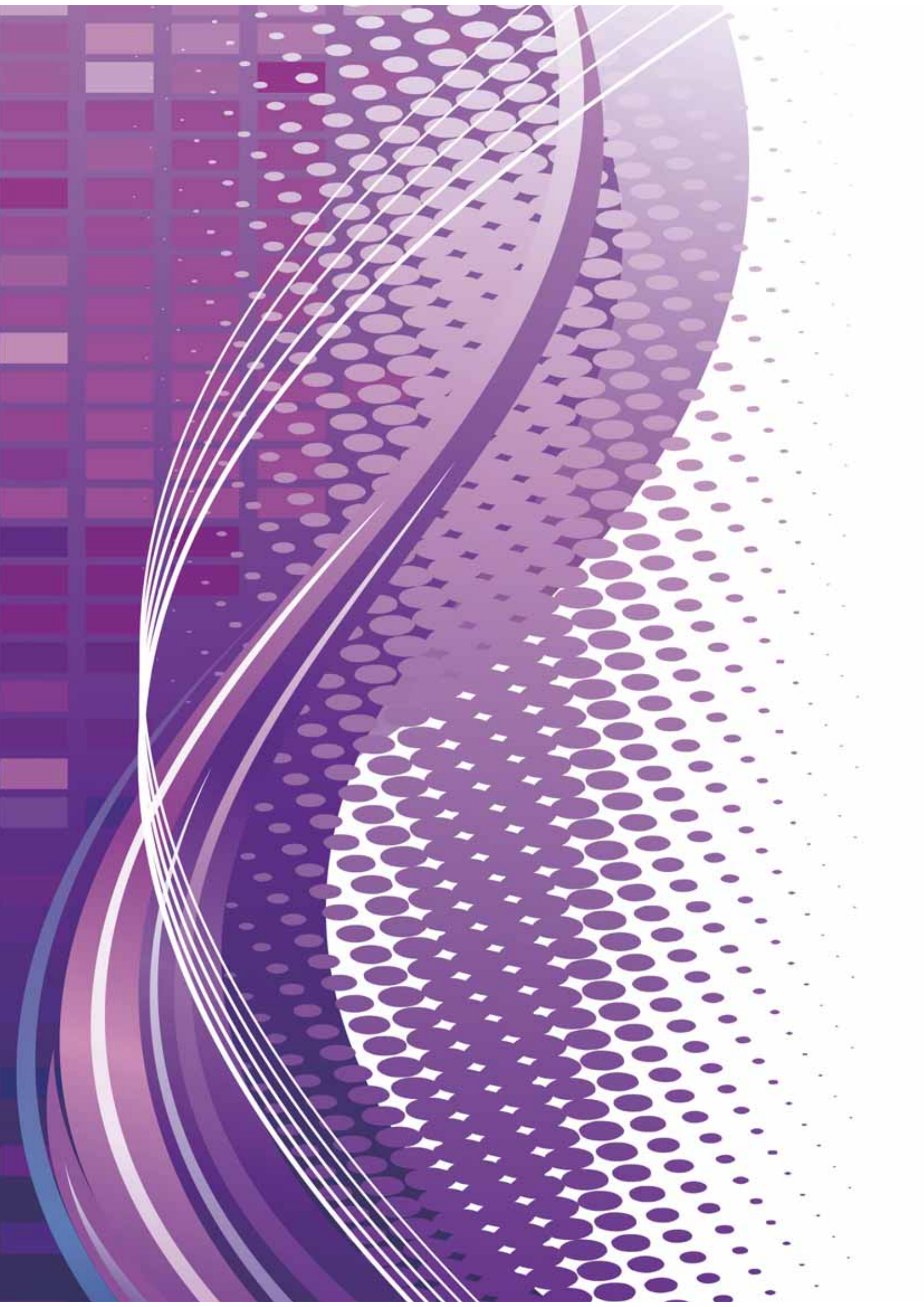


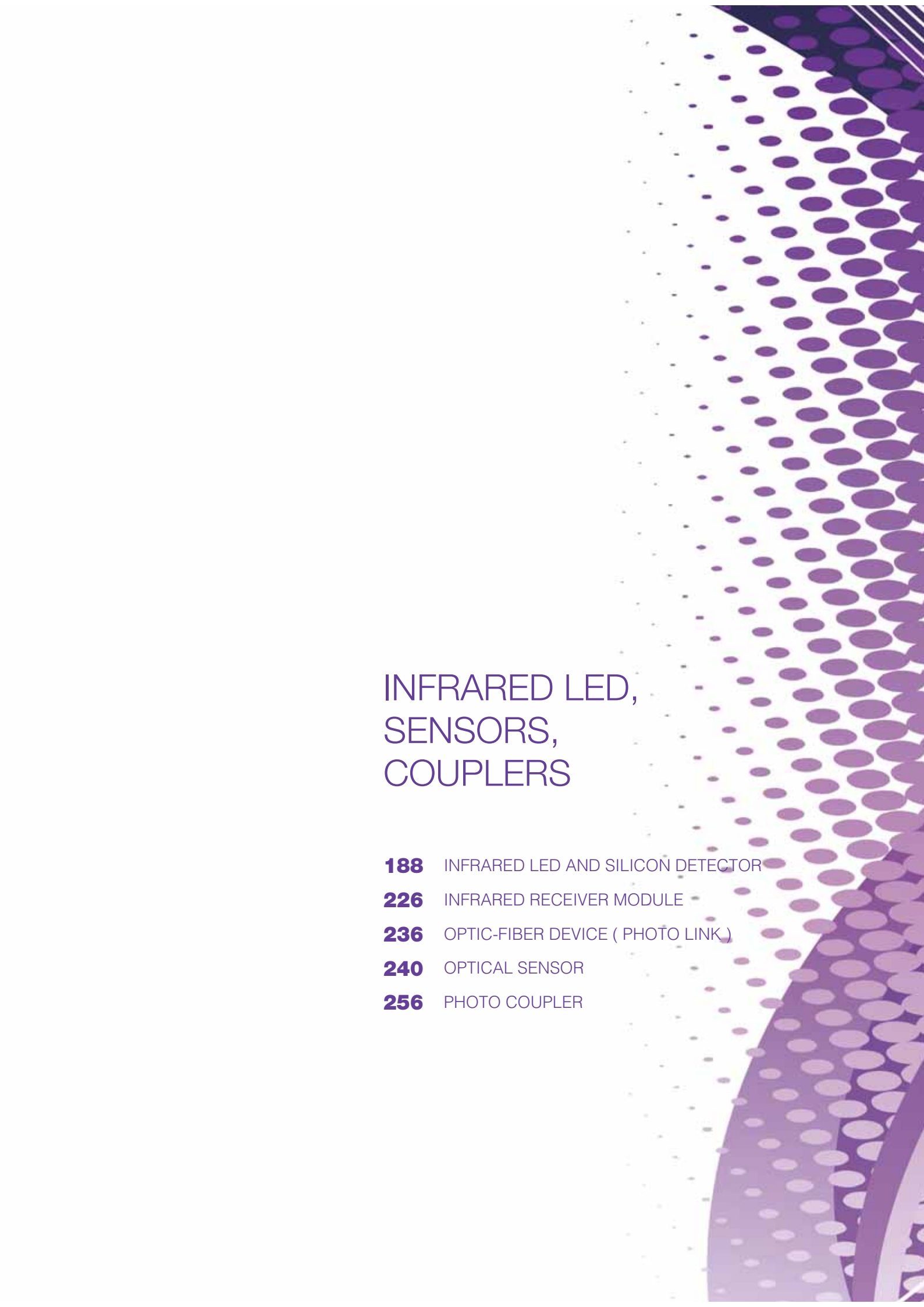
UNIT : mm



Product	Size (LxWxHmm)	Color	Power(W)	λ_d (nm)CIE(x,y)	lv(lm)	V_F (V)	Viewing Angle (°)
BL-2835HC	3.5 x 2.8 x 0.7	● Blue	0.0265-0.032	447.5~457.5	9-14	2.65-3.2	130-145



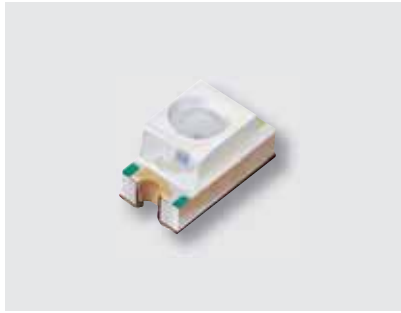


A decorative graphic in the top right corner of the page, consisting of a grid of purple dots of varying sizes, creating a halftone or dot-matrix effect. The dots are arranged in a pattern that tapers towards the top right corner.

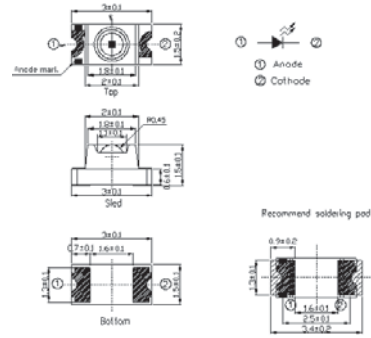
INFRARED LED, SENSORS, COUPLERS

- 188** INFRARED LED AND SILICON DETECTOR
- 226** INFRARED RECEIVER MODULE
- 236** OPTIC-FIBER DEVICE (PHOTO LINK)
- 240** OPTICAL SENSOR
- 256** PHOTO COUPLER

Infrared LED and Silicon Detector | Emitter | SMD



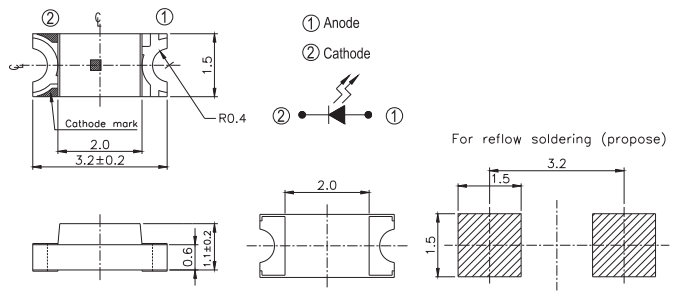
UNIT : mm



Product	Size (LxWxHmm)	λ_p (nm)	V_F Typ (V)	V_F Max (V)	I_{e_Min} (mW/sr)	I_{e_Typ} (mW/sr)	Viewing Angle (°)
IR11-21C/TR8	3x1.5x1.5	940	1.2	1.5	0.5	1.6	100
IR11-21C/L491/TR8	3x1.5x1.5	940	1.3	1.7	1.0	4.0	80
HIR11-21C/L11/TR8	3x1.5x1.5	850	1.45	1.65	1	2	75
SIR11-21C/L294/TR8	3x1.5x1.5	870	1.4	1.5	1.3	2.6	100



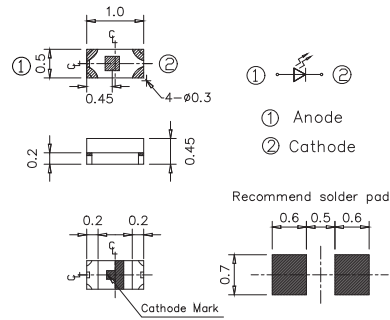
UNIT : mm



Product	Size (LxWxHmm)	λ_p (nm)	V_F Typ (V)	V_F Max (V)	I_{e_Min} (mW/sr)	I_{e_Typ} (mW/sr)	Viewing Angle (°)
HIR15-21C/TR8	3.2x1.5x1.1	850	1.45	1.65	0.5	1.5	150
IR15-21C/TR8	3.2x1.5x1.1	940	1.2	1.5	0.2	0.8	160
PIR15-21C/TR8	3.2x1.5x1.1	800	1.45	1.80	0.90	-	135



UNIT : mm

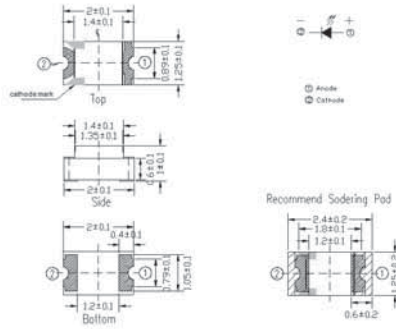


Product	Size (LxWxHmm)	λ_p (nm)	V_F Typ (V)	V_F Max (V)	I_{e_Min} (mW/sr)	I_{e_Typ} (mW/sr)	Viewing Angle (°)
IR16-213C/L510/TR8	1x0.5x0.45	940	1.5	1.9	0.5	2.35	120
HIR16-213C/L423/TR8	1x0.5x0.45	850	1.45	1.65	0.50	1.50	145

Infrared LED and Silicon Detector | Emitter | SMD



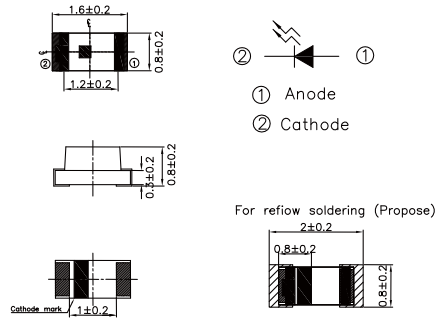
UNIT : mm



Product	Size (LxWxHmm)	λ_p (nm)	V_F Typ (V)	V_F Max (V)	I_e Min (mW/sr)	I_e Typ (mW/sr)	Viewing Angle (°)
IR17-21C/TR8	2x1.25x1.0	940	1.2	1.5	0.2	0.8	120
HIR17-21C/TR8	2x1.25x1.0	850	1.45	1.65	0.5	2	120
HIR17-21C/L289/TR8	2x1.25x1.0	850	1.4	1.7	1.6	2.1	120



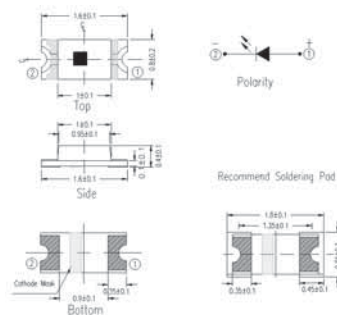
UNIT : mm



Product	Size (LxWxHmm)	λ_p (nm)	V_F Typ (V)	V_F Max (V)	I_e Min (mW/sr)	I_e Typ (mW/sr)	Viewing Angle (°)
IR19-21C/TR8	1.6x0.8x0.8	940	1.2	1.5	0.2	0.7	150
SIR19-21C/TR8	1.6x0.8x0.8	875	1.3	1.6	0.2	0.5	145
HIR19-21C/L11/TR8	1.6x0.8x0.8	850	1.45	1.65	0.2	0.8	145
HIR19-21C/L289/TR8	1.6x0.8x0.8	850	1.4	1.7	1.0	1.85	145



UNIT : mm



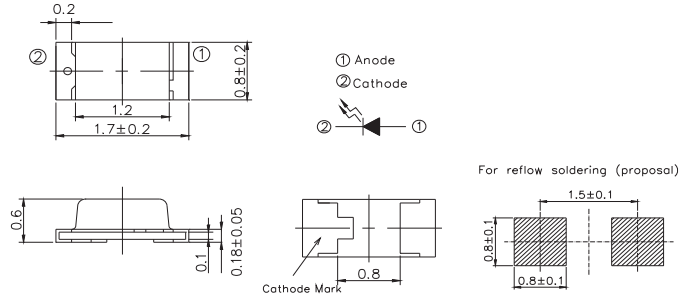
Product	Size (LxWxHmm)	λ_p (nm)	V_F Typ (V)	V_F Max (V)	I_e Min (mW/sr)	I_e Typ (mW/sr)	Viewing Angle (°)
IR19-217C/TR8	1.6x0.8x0.4	940	1.20	1.50	0.20	0.80	160

Infrared LED and Silicon Detector

Infrared LED and Silicon Detector | Emitter | SMD



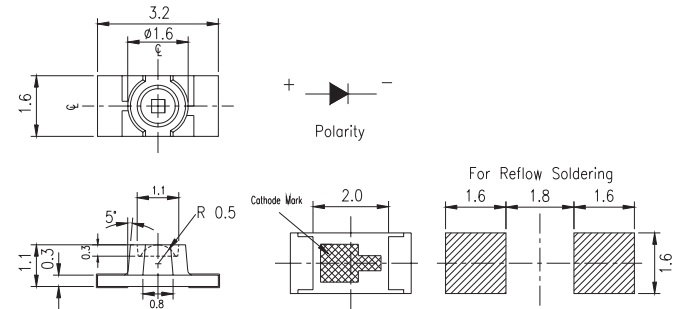
UNIT : mm



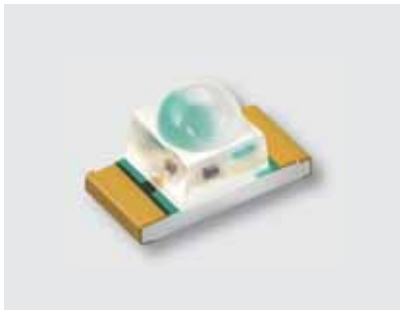
Product	Size (LxWxHmm)	λ_p (nm)	V_F Typ (V)	V_F Max (V)	I_{e_Min} (mW/sr)	I_{e_Typ} (mW/sr)	Viewing Angle (°)
IR19-315C/TR8	1.7x0.8x0.6	940	1.2	1.5	0.2	0.6	140
HIR19-315C/L289/TR8	1.7x0.8x0.6	850	1.40	1.70	1.00	1.80	125
HIR19-315C/L825/TR8	1.7x0.8x0.6	850	1.40	1.80	2.30	2.60	140
SIR19-315C/TR8	1.7x0.8x0.6	870	1.35	1.70	1.00	1.30	140



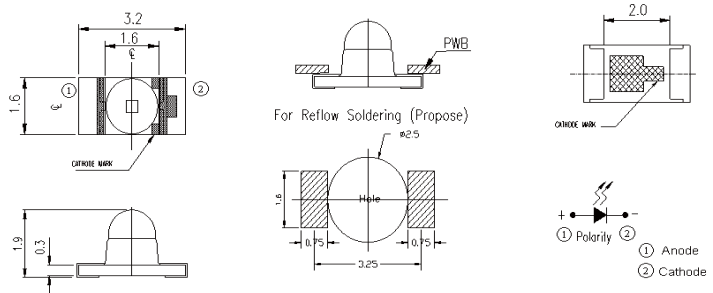
UNIT : mm



Product	Size (LxWxHmm)	λ_p (nm)	V_F Typ (V)	V_F Max (V)	I_{e_Min} (mW/sr)	I_{e_Typ} (mW/sr)	Viewing Angle (°)
IR25-21C/TR8	3.2x1.6x1.1	940	1.2	1.5	0.5	1.5	160
HIR25-21C/L423/TR8	3.2x1.6x1.1	850	1.45	1.65	3.0	5.5	70



UNIT : mm



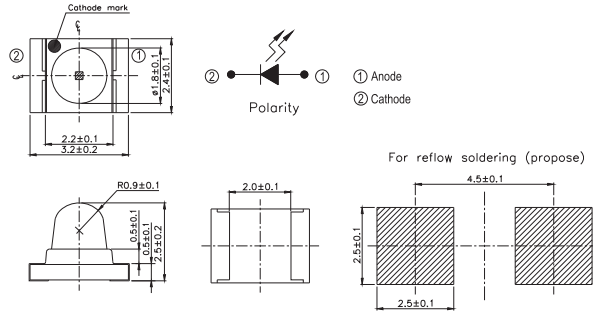
Product	Size (LxWxHmm)	λ_p (nm)	V_F Typ (V)	V_F Max (V)	I_{e_Min} (mW/sr)	I_{e_Typ} (mW/sr)	Viewing Angle (°)
IR26-21C/L110/TR8	3.2x1.6x1.9	940	1.2	1.5	1	3.0	20
HIR26-21C/L423/CT	3.2x1.6x1.9	855	1.45	1.7	14	25	20
HIR26-21C/L289/CT	3.2x1.6x1.9	850	1.4	1.7	10	17	20

Infrared LED and Silicon Detector | Emitter | SMD

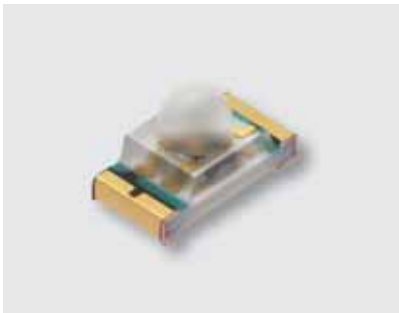
Infrared LED and Silicon Detector



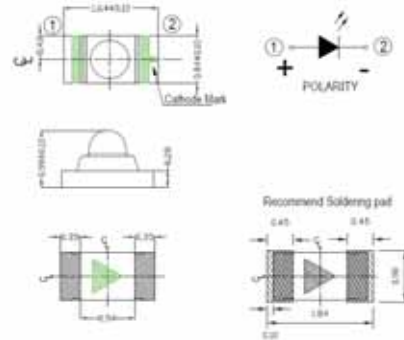
UNIT : mm



Product	Size (LxWxHmm)	λ_p (nm)	V_F Typ (V)	V_F Max (V)	I_{e_Min} (mW/sr)	I_{e_Typ} (mW/sr)	Viewing Angle (°)
IR42-21C/TR8	3.2x2.4x2.5	940	1.2	1.5	1	3	30
HIR42-21C/TR8	3.2x2.4x2.5	850	1.45	1.65	2	5	20
HIR42-21C/L289/TR8	3.2x2.4x2.5	850	1.4	1.6	11	30	20



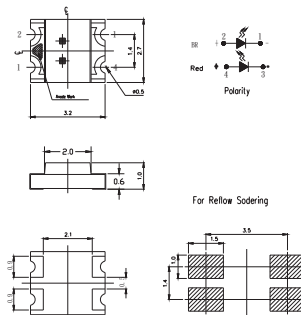
UNIT : mm



Product	Size (LxWxHmm)	λ_p (nm)	V_F Typ (V)	V_F Max (V)	I_{e_Typ} (mW/sr)	Viewing Angle (°)
IR42-81B/L491/TR8	1.64x0.84x0.98	940	1.30	1.60	5.00	70
HIR42-81C/L825/TR8	1.64x0.84x0.98	850	1.38	1.60	4.00	80
SIR42-81C/L543/TR8	1.64x0.84x0.98	890	1.33	1.60	4.50	70



UNIT : mm



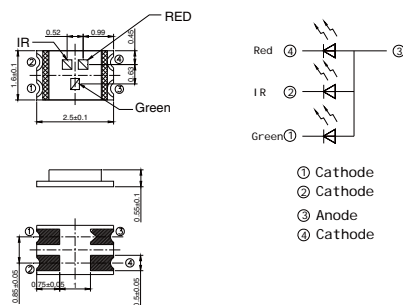
Product	Size (LxWxHmm)	λ_p (nm)	V_F Typ (V)	V_F Max (V)	I_{e_Min} (mW/sr)	I_{e_Typ} (mW/sr)	Viewing Angle (°)
BR15-22C/L586/TR8	3.2x2.7x1	660/905	1.9/1.3	2.5/1.6	0.5/0.2	1.5/0.5	120
BR15-22C/L586/R/TR8	3.2x2.7x1	660/905	1.8/1.3	2.6/1.8	0.5/0.2	1.5/0.5	140
IRR15-22C/L491/TR8	3.2x2.7x1	660/940	1.9/1.3	2.5/1.7	1.0/1.0	2.3/2.1	120

Infrared LED and Silicon Detector | Emitter | SMD

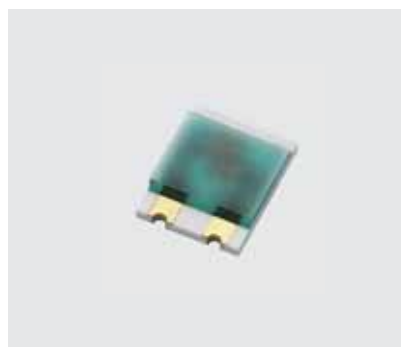
Infrared LED and Silicon Detector



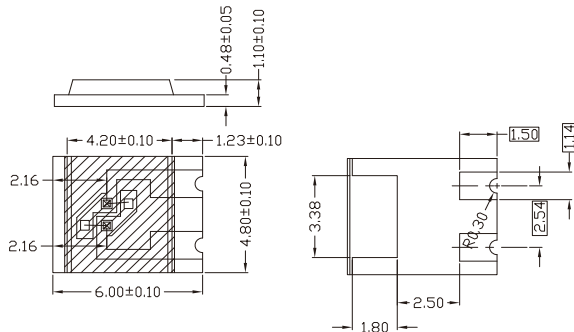
UNIT : mm



Product	Size (LxWxHmm)	λ_p (nm)	V_F Typ (V)	V_F Max (V)	I_{e_Min} (mW/sr)	I_{e_Typ} (mW/sr)	Viewing Angle (°)
IRRG25-16C/L491/TR8	2.5x1.6x0.55	525/660/940	3.0/1.9/1.3	3.5/2.3/1.7	1200mcd/150mcd/1.5	-	120



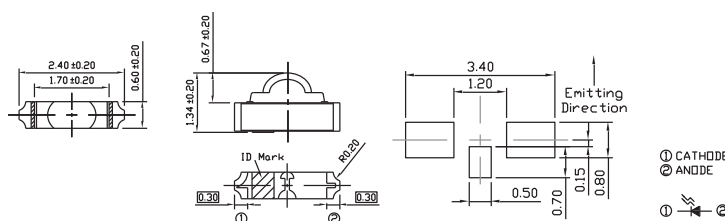
UNIT : mm



Product	Size (LxWxHmm)	λ_p (nm)	V_F Typ (V)	V_F Max (V)	I_{e_Min} (mW/sr)	I_{e_Typ} (mW/sr)	Viewing Angle (°)
IRR60-48C/TR8	6x4.8x1.1	660/905	2.1/1.4	2.5/1.6	1.0/0.5	2.3/1.0	140/130
IRR60-48C/L661/TR8	6x4.8x1.1	660/910	2.1/1.4	2.5/1.6	1.0/1.0	2.3/1.5	140/130



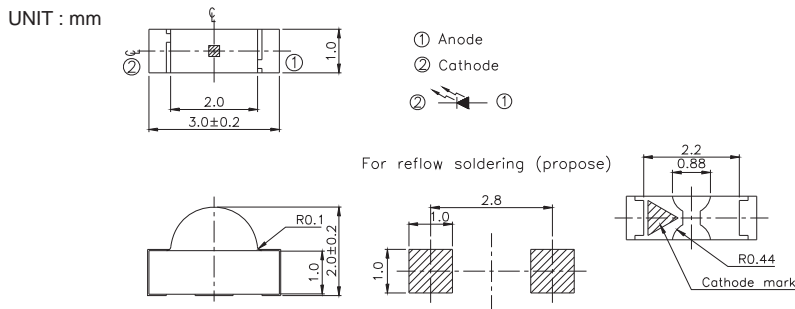
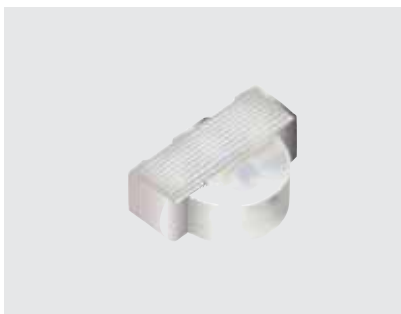
UNIT : mm



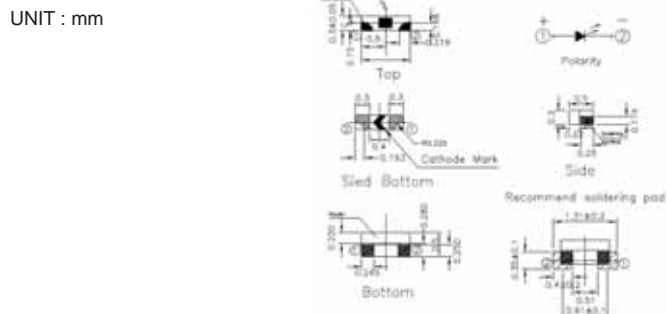
Product	Size (LxWxHmm)	λ_p (nm)	V_F Typ (V)	V_F Max (V)	I_{e_Min} (mW/sr)	I_{e_Typ} (mW/sr)	Viewing Angle (°)
IR12-206C/L268/TR8	2.4x0.6x1.34	940	1.2	1.4	0.8	1.5	160(X) 120(Y)
IR12-206C/L774/TR8	2.4x0.6x1.34	940	1.20	1.50	0.80	1.50	155(X) 140(Y)

Infrared LED and Silicon Detector | Emitter | SMD

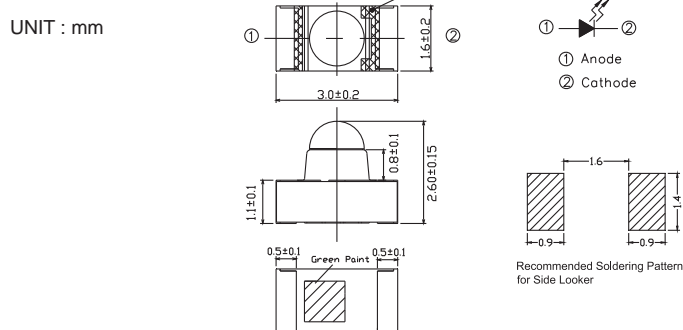
Infrared LED and Silicon Detector



Product	Size (LxWxHmm)	λ_p (nm)	V_F Typ (V)	V_F Max (V)	I_{e_Min} (mW/sr)	I_{e_Typ} (mW/sr)	Viewing Angle (°)
IR12-21C/TR8	3x1x2	940	1.2	1.5	0.5	0.8	160
SIR12-21C/TR8	3x1x2	875	1.3	1.6	0.5	0.9	160
HIR12-21C/TR8	3x1x2	850	1.45	1.65	0.7	1.3	145



Product	Size (LxWxHmm)	λ_p (nm)	V_F Typ (V)	V_F Max (V)	I_{e_Min} (mW/sr)	I_{e_Typ} (mW/sr)	Viewing Angle (°)
IR16-916C/L878/3C	1.0x0.3x0.5	940	1.40	-	-	2.00	125
HIR16-916C/L854/3C	1.0x0.3x0.5	850	1.50	1.70	1.50	1.90	135

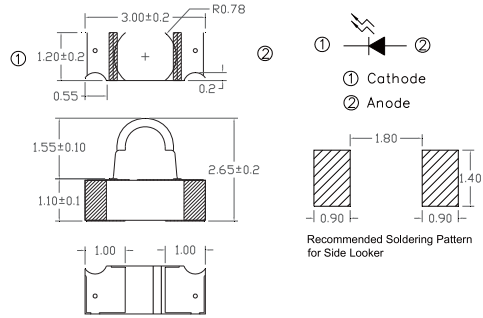


Product	Size (LxWxHmm)	λ_p (nm)	V_F Typ (V)	V_F Max (V)	I_{e_Min} (mW/sr)	I_{e_Typ} (mW/sr)	Viewing Angle (°)
IR26-51C/L110/TR8	3.0x1.6x2.6	940	1.2	1.5	2	4.5	20
IR26-51C/L746/TR8	3.0x1.6x2.6	940	1.25	1.50	4.00	-	20

Infrared LED and Silicon Detector | Emitter | SMD



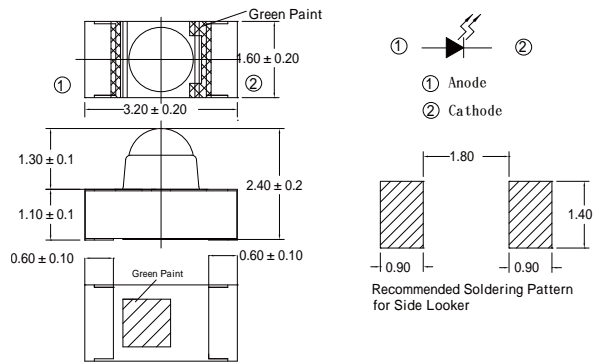
UNIT : mm



Product	Size (LxWxHmm)	λ_p (nm)	V_F Typ (V)	V_F Max (V)	I_{e_Min} (mW/sr)	I_{e_Typ} (mW/sr)	Viewing Angle (°)
IR26-61C/L746/TR8	3x1.2x2.65	940	1.25	1.5	4	8	20
IR26-61C/L745/TR8	3x1.2x2.65	940	1.20	1.5	13	20	25
IR26-61C/L675/TR8	3x1.2x2.65	940	1.2	1.5	4	8	40
IR26-61C/L786/R/TR8	3x1.2x2.65	940	1.30	1.50	10	20	20



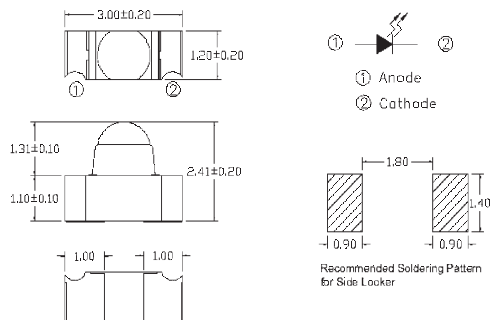
UNIT : mm



Product	Size (LxWxHmm)	λ_p (nm)	V_F Typ (V)	V_F Max (V)	I_{e_Min} (mW/sr)	I_{e_Typ} (mW/sr)	Viewing Angle (°)
IR26-71C/L746/TR8	3.2x1.6x2.4	940	1.25	1.5	2.0	4.5	45



UNIT : mm

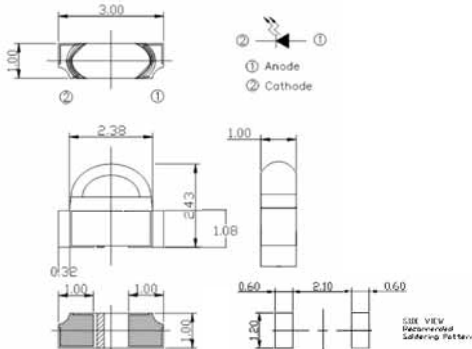


Product	Size (LxWxHmm)	λ_p (nm)	V_F Typ (V)	V_F Max (V)	I_{e_Min} (mW/sr)	I_{e_Typ} (mW/sr)	Viewing Angle (°)
IR26-71C/L447/S63/TR8	3.0x2.4x1.2	940	1.3	1.6	5	8.5	50

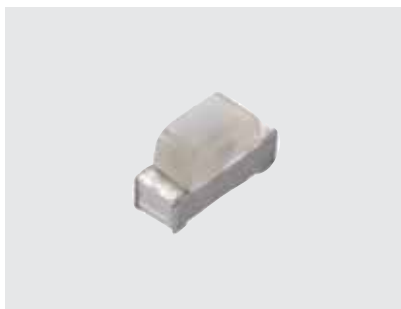
Infrared LED and Silicon Detector | Emitter | SMD



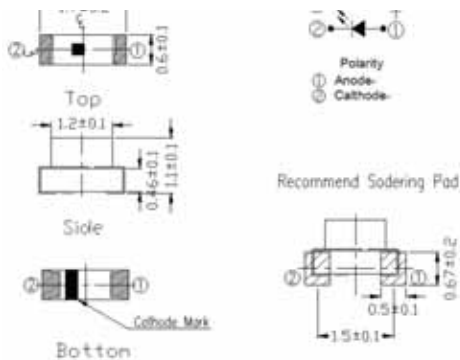
UNIT : mm



Product	Size (LxWxHmm)	λ_P (nm)	V_F Typ (V)	V_F Max (V)	I_{e_Min} (mW/sr)	I_{e_Typ} (mW/sr)	Viewing Angle (°)
IR26-91C/L510/2D	3x2.43x1	940	1.3	1.6	-	8	130(X)20(Y)
IR26-91C/L675/2D	3x2.43x1	940	1.2	1.6	-	3.5	120(X)45(Y)
IR26-91C/L710/2D	3x2.43x1	940	1.2	1.6	-	4	125(X)55(Y)



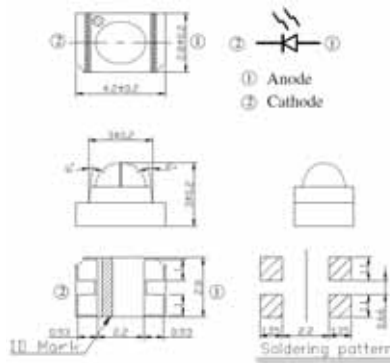
UNIT : mm



Product	Size (mm)	λ_P (nm)	V_F Typ (V)	V_F Max (V)	I_{e_Min} (mW/sr)	I_{e_Typ} (mW/sr)	Viewing Angle (°)
IR27-21C/TR8	1.7x0.6x1.1	940	1.20	1.50	0.20	0.80	150



UNIT : mm



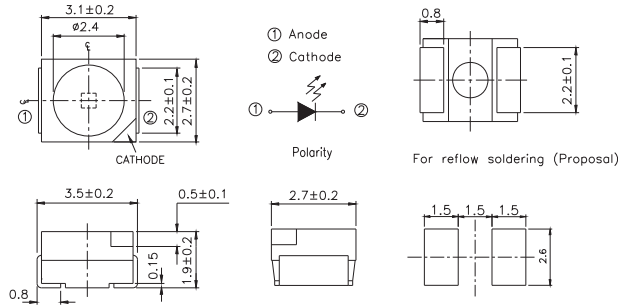
Product	Size (LxWxHmm)	λ_P (nm)	V_F Typ (V)	V_F Max (V)	I_{e_Min} (mW/sr)	I_{e_Typ} (mW/sr)	Viewing Angle (°)
IR28-01C/L491/2R	4.2x2.8x3	940	1.3	1.6	7	11	75(X) 40(Y)
IR28-01C/L698/2R	4.2x2.8x3	940	1.3	1.6	4	6	80(X) 40(Y)
IR28-01C/L710/2R	4.2x2.8x3	940	1.2	1.6	7	9.5	70(X) 40(Y)

Infrared LED and Silicon Detector

Infrared LED and Silicon Detector | Emitter | SMD



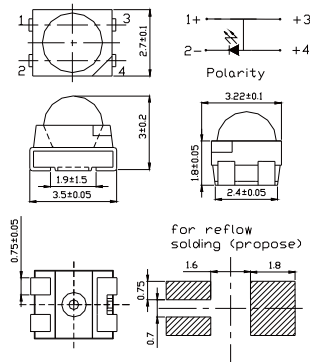
UNIT : mm



Product	Size (LxWxHmm)	λ_p (nm)	V_F Typ (V)	V_F Max (V)	I_{e_Min} (mW/sr)	I_{e_Typ} (mW/sr)	Viewing Angle (°)
HIR67-21C/L11/TR8	3.5x2.7x1.9	850	1.45	1.65	1	2	120
IR67-21C/TR8	3.5x2.7x1.9	940	1.2	1.5	1	1.5	120
SIR67-21C/TR8	3.5x2.7x1.9	875	1.3	1.6	0.5	1.1	120
HIR67-21C/L289/TR8	3.5x2.7x1.9	850	1.4	1.7	2	3	120



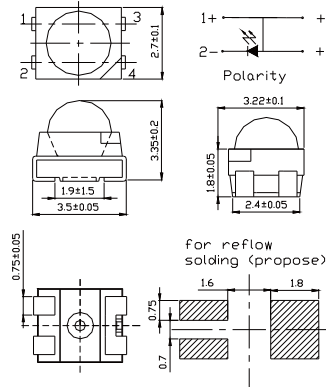
UNIT : mm



Product	Size (LxWxHmm)	λ_p (nm)	V_F Typ (V)	V_F Max (V)	I_{e_Min} (mW/sr)	I_{e_Typ} (mW/sr)	Viewing Angle (°)
HIR67-31AC/L638/TR8	3.5x2.7x3	850	2.85	3.3	8	15	60

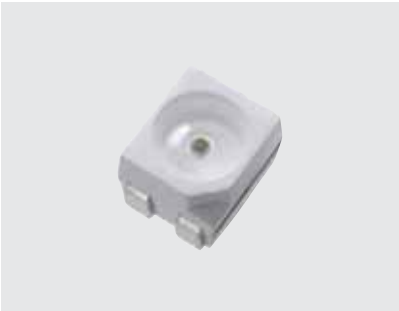


UNIT : mm

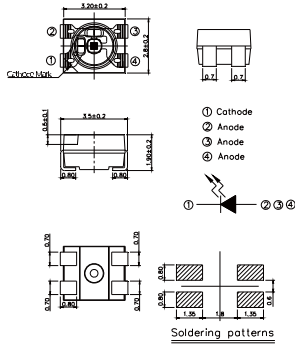


Product	Size (LxWxHmm)	λ_p (nm)	V_F Typ (V)	V_F Max (V)	I_{e_Min} (mW/sr)	I_{e_Typ} (mW/sr)	Viewing Angle (°)
HIR67-31JC/L638/TR8	3.5x2.7x3.35	850	2.85	3.3	13	20	35

Infrared LED and Silicon Detector | Emitter | SMD



UNIT : mm



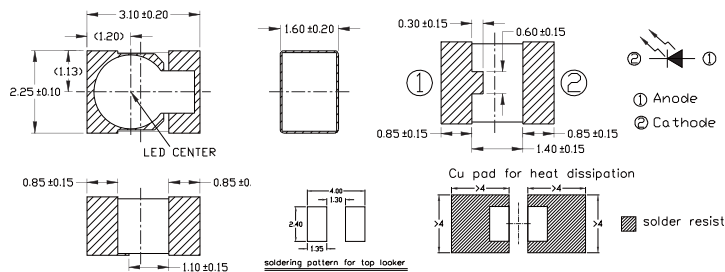
Product	Size (LxWxHmm)	λ_p (nm)	V_F Typ (V)	V_F Max (V)	I_e Min (mW/sr)	I_e Typ (mW/sr)	Viewing Angle (°)
IR67-41C/L491/TR8	3.5x2.7x1.9	940	1.30	1.60	1.10	1.30	20

Infrared LED and Silicon Detector

Infrared LED and Silicon Detector | Emitter | SMD



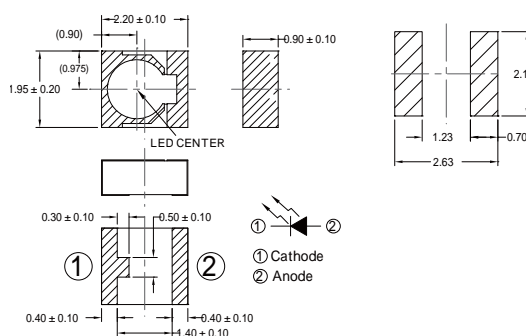
UNIT : mm



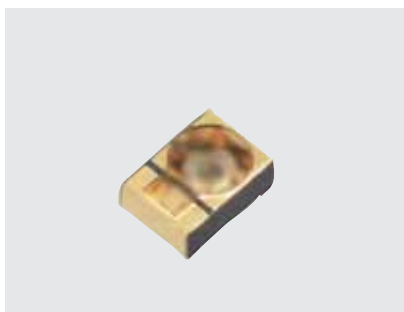
Product	Size (LxWxHmm)	λ_p (nm)	V_F Typ (V)	V_F Max (V)	I_e Min (mW/sr)	I_e Typ (mW/sr)	Viewing Angle (°)
HIR89-01C/1R	3.1x2.25x1.6	850	1.4	1.7	40@70mA	125(Max)	30
IR89-01C/L447/1R	3.1x2.25x1.6	940	1.75@100mA	2.2@100mA	40@70mA	60	30



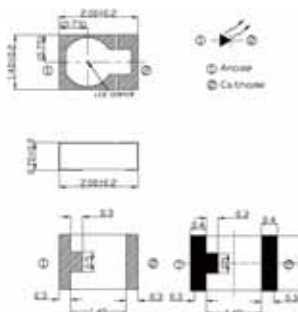
UNIT : mm



Product	Size (LxWxHmm)	λ_p (nm)	V_F Typ (V)	V_F Max (V)	I_e Min (mW/sr)	I_e Typ (mW/sr)	Viewing Angle (°)
HIR91-01C/L297/2T	2.2x1.95x0.9	850	1.4	1.7	25@70mA	40@70mA	40
IR91-01C/L491/2R	2.2x1.95x0.9	940	1.4	1.7	25@70mA	50@70mA	40



UNIT : mm



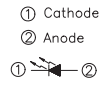
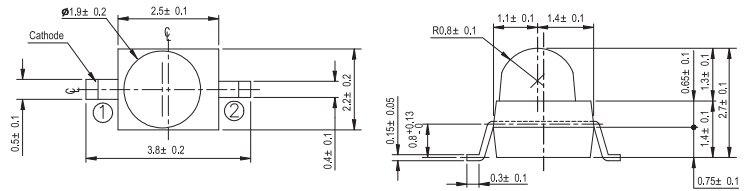
Product	Size (LxWxHmm)	λ_p (nm)	V_F Typ (V)	V_F Max (V)	I_e Min (mW/sr)	I_e Typ (mW/sr)	Viewing Angle (°)
IR92-01C/L491/2R	2.0x1.4x0.7	940	1.30	1.70	-	8.00	45
IR92-01C/L735/2R	2.0x1.4x0.7	940	1.40	1.80	7.00	10.00	25

Infrared LED and Silicon Detector

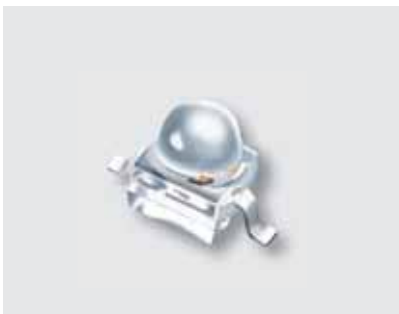
Infrared LED and Silicon Detector | Emitter | SMD



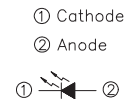
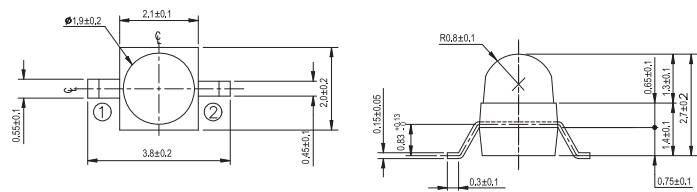
UNIT : mm



Product	Size (LxWxHmm)	λ_p (nm)	V_F Typ (V)	V_F Max (V)	I_{e_Min} (mW/sr)	I_{e_Typ} (mW/sr)	Viewing Angle (°)
IR91-21C	2.5x2.2x2.7	940	1.2	1.5	3	5	25
IR91-21C/TR7	2.5x2.2x2.7	940	1.2	1.5	3	5	25
IR91-21C/TR10	2.5x2.2x2.7	940	1.2	1.5	3	5	25
SIR91-21C/TR7	2.5x2.2x2.7	875	1.3	1.6	3	5	20

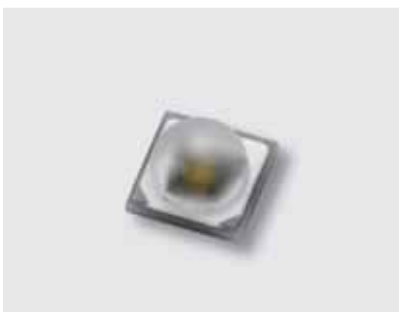


UNIT : mm

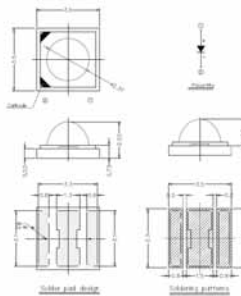


Product	Size (LxWxHmm)	λ_p (nm)	V_F Typ (V)	V_F Max (V)	I_{e_Min} (mW/sr)	I_{e_Typ} (mW/sr)	Viewing Angle (°)
IR95-21C/TR7	2.1x2x2.7	940	1.2	1.5	3	5	25
SIR95-21C/TR10	2.1x2x2.7	875	1.3	1.6	2	4	25
IR95-21C/L491/TR7	2.1x2x2.7	940	1.20	1.50	20.00	30.00	20

Infrared LED and Silicon Detector | Emitter | High Power



UNIT : mm

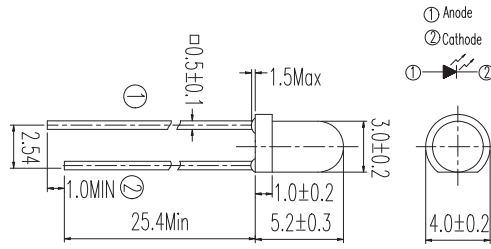


Product	Size (LxWxHmm)	λ_p (nm)	V_F Typ (V) (If = 350mA)	I_{e_Typ} (mW/sr) (If = 350mA)	Power Typ (mW) (If = 350mA)	Viewing Angle (°)
HIR-C19D-1090/L708-P01/TR	3.5x3.5x2.36	850	1.7	110	270	90
IR-C19D-1090/L834-P01/TR	3.5x3.5x2.36	940	1.55	75	165	90
HIR-C19D-1N90/L649-P03/TR	3.5x3.5x2.36	850	3	200	500	90
IR-C19D-N90/L562-P03/TR	3.5x3.5x2.36	940	3.1	170	370	90
HIR-C19D-1N150/L649-P03/TR	3.5x3.5x1.52	850	3	100	400	150

Infrared LED and Silicon Detector | Emitter | Lamp 3mm



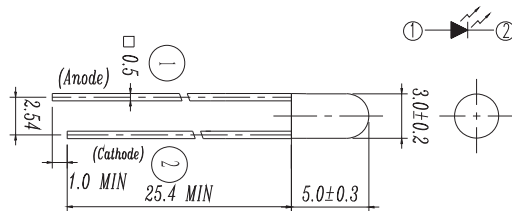
UNIT : mm



Product	Size (mm)	λ_P (nm)	V_F Typ (V)	V_F Max (V)	I_{e_Min} (mW/sr)	I_{e_Typ} (mW/sr)	Viewing Angle (°)
HIR204	3	850	1.45	1.65	7.8	17.6	25
HIR204/H0	3	850	1.45	1.65	4	8.9	40
HIR204C	3	850	1.45	1.65	7.8	17.6	25
HIR204C/H0	3	850	1.45	1.65	11	20	40
IR204-A	3	940	1.2	1.5	4	5.6	35
IR204/H16/L10	3	940	1.2	1.5	4	8	50
IR204/H60	3	940	1.2	1.5	4	7	50
IR204C-A	3	940	1.2	1.5	4	7.8	40
IR204C/H16/L10	3	940	1.2	1.5	2.8	5	50
SIR204-A	3	875	1.3	1.6	4	6.4	30
SIR204C	3	875	1.3	1.6	4	6.4	30



UNIT : mm

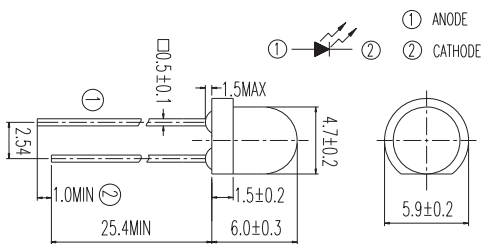


Product	Size (mm)	λ_P (nm)	V_F Typ (V)	V_F Max (V)	I_{e_Min} (mW/sr)	I_{e_Typ} (mW/sr)	Viewing Angle (°)
SIR234	3	875	1.3	1.6	5.6	9.3	30
HIR234C	3	850	1.45	1.65	7.8	15	30

Infrared LED and Silicon Detector | Emitter | Lamp 5mm



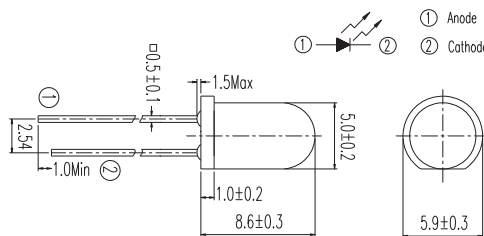
UNIT : mm



Product	Size (mm)	λ_p (nm)	V_F Typ (V)	V_F Max (V)	I_{e_Min} (mW/sr)	I_{e_Typ} (mW/sr)	Viewing Angle (°)
HIR323C	5	850	1.45	1.65	15	30	15
HIR323C/H0	5	850	1.45	1.65	7.8	11	30
IR323	5	940	1.2	1.5	5.6	7.8	30
IR323/H0-A	5	940	1.2	1.5	2	3.5	60



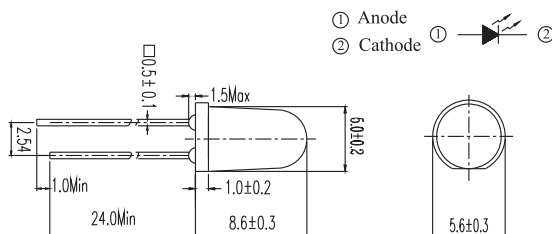
UNIT : mm



Product	Size (mm)	λ_p (nm)	V_F Typ (V)	V_F Max (V)	I_{e_Min} (mW/sr)	I_{e_Typ} (mW/sr)	Viewing Angle (°)
HIR333/H0	5	850	1.45	1.65	7.8	15	30
HIR333C/H0	5	850	1.45	1.65	7.8	15	30
IR333-A	5	940	1.2	1.5	7.8	20	20
IR333/H0	5	940	1.2	1.5	5.6	7.8	40
IR333/H0/L10	5	940	1.2	1.5	11	20	40
IR333C	5	940	1.2	1.5	7.8	15	20
IR333C/H0/L10	5	940	1.2	1.5	7.8	10	40
IR333C/H2	5	940	1.2	1.5	7.8	15	30
SIR333-A	5	875	1.3	1.65	7.8	20	20
HIR7353-14B/L762	5	850	1.40	-	-	75.00	15



UNIT : mm

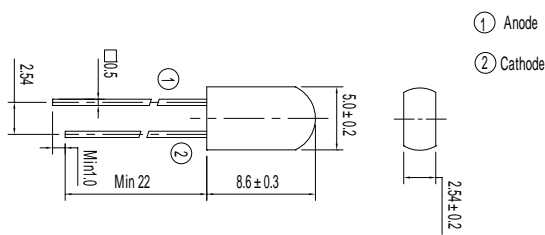


Product	Size (mm)	λ_p (nm)	V_F Typ (V)	V_F Max (V)	I_{e_Min} (mW/sr)	I_{e_Typ} (mW/sr)	Viewing Angle (°)
IR383	5	940	1.2	1.5	15	20	20
SIR383C	5	875	1.3	1.6	11	20	20
HIR383C/L289	5	850	1.45	1.65	--	140	18

Infrared LED and Silicon Detector | Emitter | Lamp 5mm



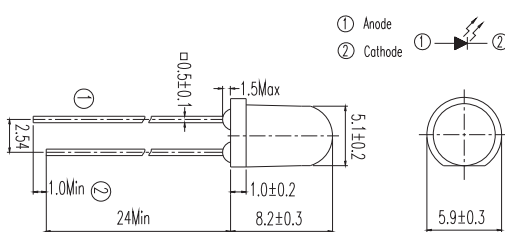
UNIT : mm



Product	Size (mm)	λ_p (nm)	V_F Typ (V)	V_F Max (V)	I_{e_Min} (mW/sr)	I_{e_Typ} (mW/sr)	Viewing Angle (°)
IR533C	5	940	1.2	1.5	4	7.8	25



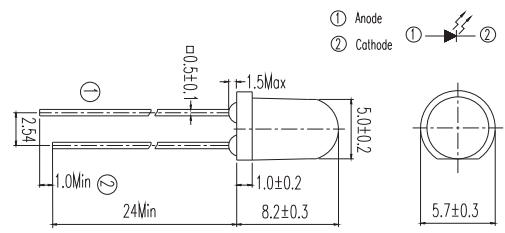
UNIT : mm



Product	Size (mm)	λ_p (nm)	V_F Typ (V)	V_F Max (V)	I_{e_Min} (mW/sr)	I_{e_Typ} (mW/sr)	Viewing Angle (°)
HIR7373B/L289	5	850	1.45	1.6	21	40	25
HIR7373C	5	850	1.45	1.65	7.8	15	40
IR7373C	5	940	1.2	1.5	5.6	12	45



UNIT : mm



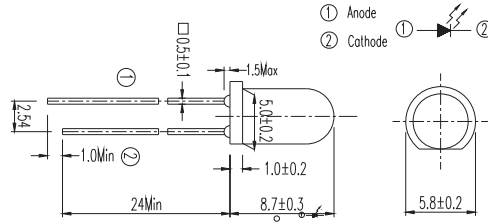
Product	Size (mm)	λ_p (nm)	V_F Typ (V)	V_F Max (V)	I_{e_Min} (mW/sr)	I_{e_Typ} (mW/sr)	Viewing Angle (°)
HIR7393B/L289	5	850	1.45	1.6	7.8	20	50
HIR7393C	5	850	1.45	1.65	7.8	15	45
IR7393C	5	940	1.2	1.5	4	6.5	55

Infrared LED and Silicon Detector

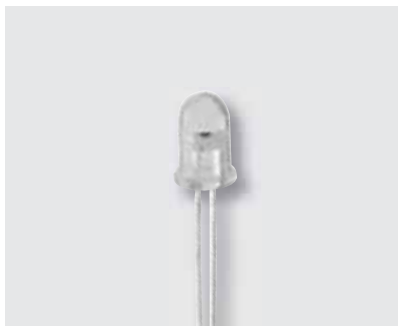
Infrared LED and Silicon Detector | Emitter | Lamp 5mm



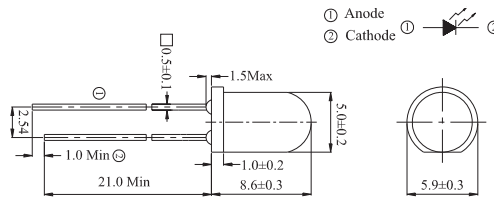
UNIT : mm



Product	Size (mm)	λ_p (nm)	V_F Typ (V)	V_F Max (V)	I_e Min (mW/sr)	I_e Typ (mW/sr)	Viewing Angle (°)
HIR8323/C16	5	850	1.45	1.65	20	30	30



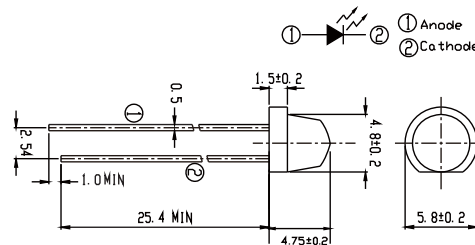
UNIT : mm



Product	Size (mm)	λ_p (nm)	V_F Typ (V)	V_F Max (V)	I_e Min (mW/sr)	I_e Typ (mW/sr)	Viewing Angle (°)
IR8353-14C	5	940	1.2	1.5	7.8	11	27-43



UNIT : mm

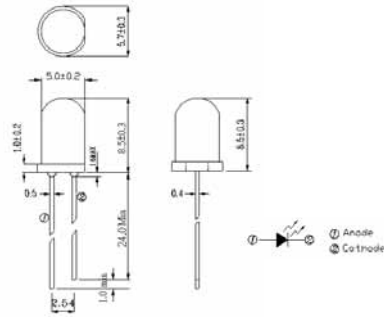


Product	Size (mm)	λ_p (nm)	V_F Typ (V)	V_F Max (V)	I_e Min (mW/sr)	I_e Typ (mW/sr)	Viewing Angle (°)
HIR7323C/L599	5	850	1.4@50mA	1.7@50mA	10@50mA	13@50mA	75

Infrared LED and Silicon Detector | Emitter | Lamp 5mm



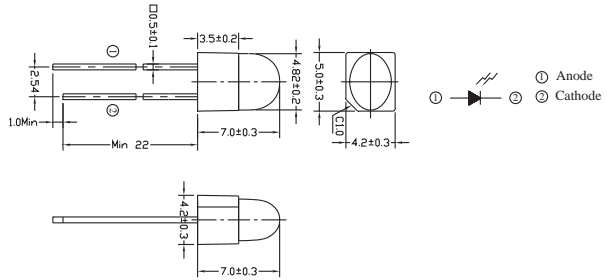
UNIT : mm



Product	Size (mm)	λ_p (nm)	V_F Typ (V)	V_F Max (V)	I_e Min (mW/sr)	I_e Typ (mW/sr)	Viewing Angle (°)
IR8394-20C	5	940	1.2	1.5	2.8	5	60



UNIT : mm

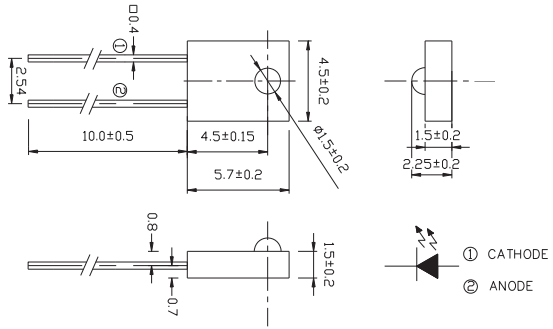


Product	Size (mm)	λ_p (nm)	V_F Typ (V)	V_F Max (V)	I_e Min (mW/sr)	I_e Typ (mW/sr)	Viewing Angle (°)
IR5443-14C/L527	5	940	1.2	1.5	4	9	60(X)30(Y)

Infrared LED and Silicon Detector | Emitter | Side Look



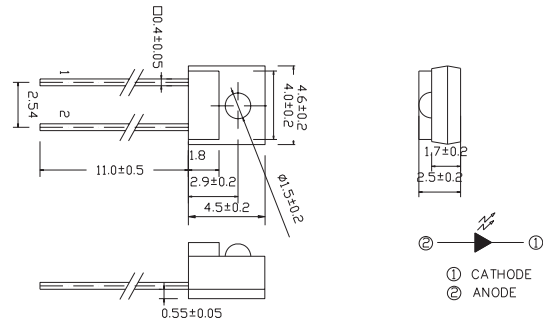
UNIT : mm



Product	Size (LxWxHmm)	λ_p (nm)	V_F Typ (V)	V_F Max (V)	I_{e_Min} (mW/sr)	I_{e_Typ} (mW/sr)	Viewing Angle (°)
IR908-7C-F	4.5x2.25x5.7	940	1.2	1.5	--	--	40



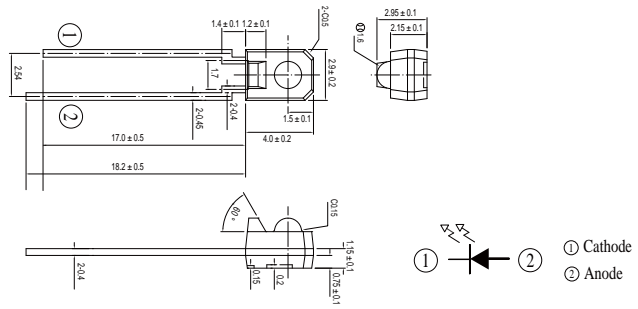
UNIT : mm



Product	Size (LxWxHmm)	λ_p (nm)	V_F Typ (V)	V_F Max (V)	I_{e_Min} (mW/sr)	I_{e_Typ} (mW/sr)	Viewing Angle (°)
IR928-6C-F	4.6x2.5x4.5	940	1.2	1.5	--	--	20



UNIT : mm

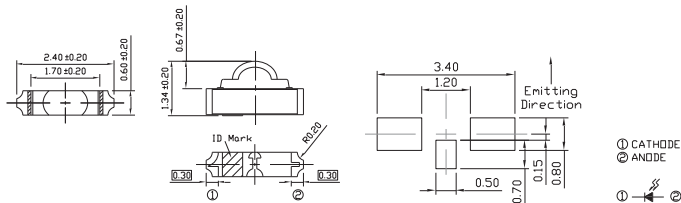


Product	Size (LxWxHmm)	λ_p (nm)	V_F Typ (V)	V_F Max (V)	I_{e_Min} (mW/sr)	I_{e_Typ} (mW/sr)	Viewing Angle (°)
IR968-8C	2.9x2.9x4	940	1.2	1.5	--	--	25

Infrared LED and Silicon Detector |Photo Diode | SMD



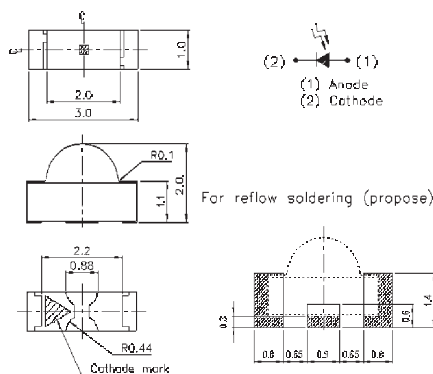
UNIT : mm



Product	Size (LxWxHmm)	λ_P (nm)	I_L Min (μA)	I_L Typ (μA)	BVR_Min.(V)	ID_Max (nA)
PD12-206B/L512/TR8	2.4x0.6x1.34	875	--	0.7	33	10



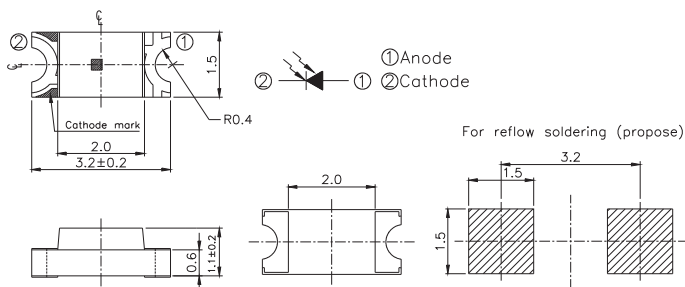
UNIT : mm



Product	Size (LxWxHmm)	λ_P (nm)	I_L Min (μA)	I_L Typ (μA)	BVR_Min.(V)	ID_Max (nA)
PD12-21B/L458/TR8	3x1x2	940	1.3	1.5	33	10



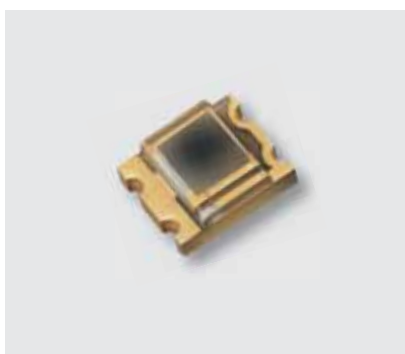
UNIT : mm



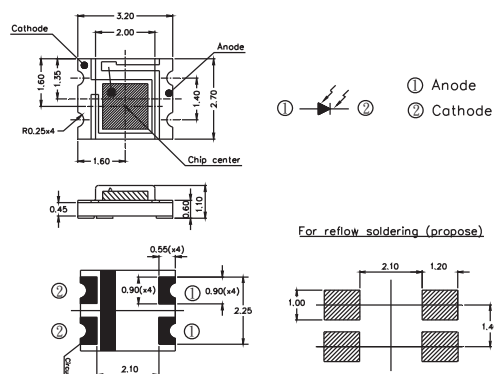
Product	Size (LxWxHmm)	λ_P (nm)	I_L Min (μA)	I_L Typ (μA)	BVR_Min.(V)	ID_Max (nA)
PD15-21B/TR8	3.2x1.5x1.1	940	0.2	0.8	32	10

Infrared LED and Silicon Detector

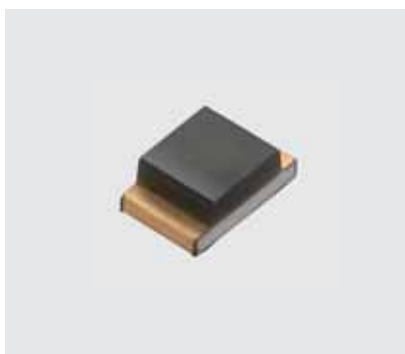
Infrared LED and Silicon Detector | Photo Diode | SMD



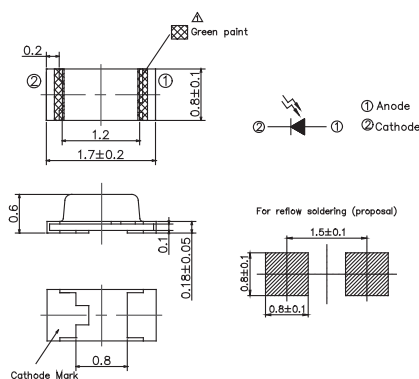
UNIT : mm



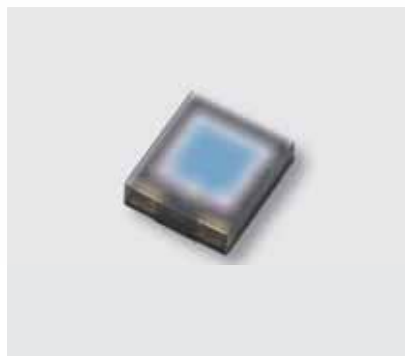
Product	Size (LxWxHmm)	λ_p (nm)	I_L Min (μA)	I_L Typ (μA)	BVR_Min.(V)	ID_Max (nA)
PD15-22C/TR8	3.2x2.7x1.1	940	4.2	6.5	32	10



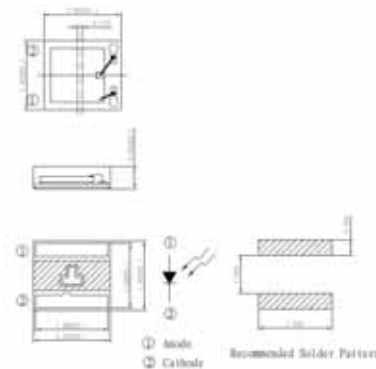
UNIT : mm



Product	Size (LxWxHmm)	λ_p (nm)	I_L Min (μA)	I_L Typ (μA)	BVR_Min.(V)	ID_Max (nA)
PD19-315B/L503/TR8	1.7x0.8x0.6	940	-	1.50	200 (Typ.)	10



UNIT : mm

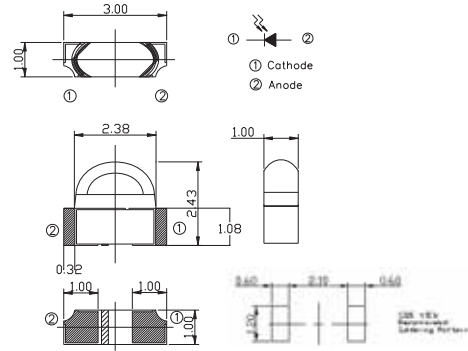


Product	Size (LxWxHmm)	λ_p (nm)	I_L Min (μA)	I_L Typ (μA)	BVR_Min.(V)	ID_Max (nA)
B-PD2018C1/L876/2T	2.0x1.8x0.58	850	-	8.00	32.00	10

Infrared LED and Silicon Detector | Photo Diode | SMD



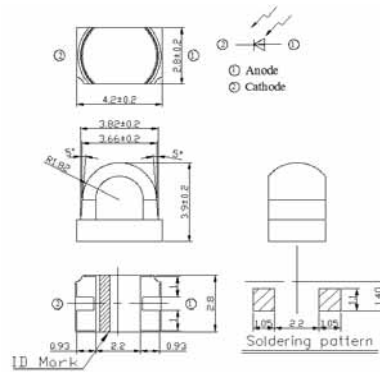
UNIT : mm



Product	Size (LxWxHmm)	λ_p (nm)	I_L Min (μA)	I_L Typ (μA)	BVR_Min.(V)	ID_Max (nA)
PD26-91B/L458/2C	3.0x1.0x2.43	940	-	2.00	33.00	10



UNIT : mm



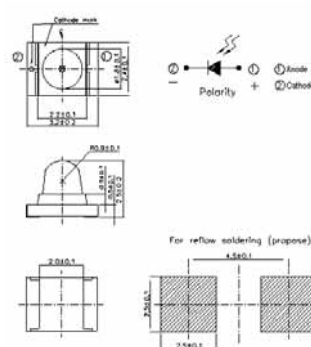
Product	Size (LxWxHmm)	λ_p (nm)	I_L Min (μA)	I_L Typ (μA)	BVR_Min.(V)	ID_Max (nA)
PD28-01B/L609/2R	4.2x2.8x3.9	940	20	25	32	30
PD28-01B/L598/2R	4.2x2.8x3.9	940	5	10	32	30

Infrared LED and Silicon Detector

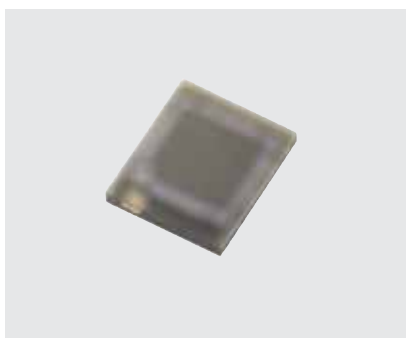
Infrared LED and Silicon Detector | Photo Diode | SMD



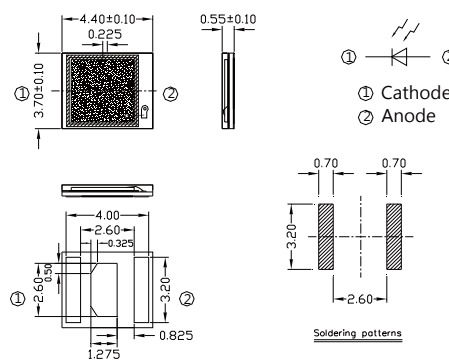
UNIT : mm



Product	Size (LxWxHmm)	λ_p (nm)	I_L Min (μA)	I_L Typ (μA)	BVR_Min.(V)	ID_Max (nA)
PD42-21B/TR8	3.2x2.4x2.6	940	2	4	32	10
PD42-21C/TR8	3.2x2.4x2.6	940	2	5	32	10



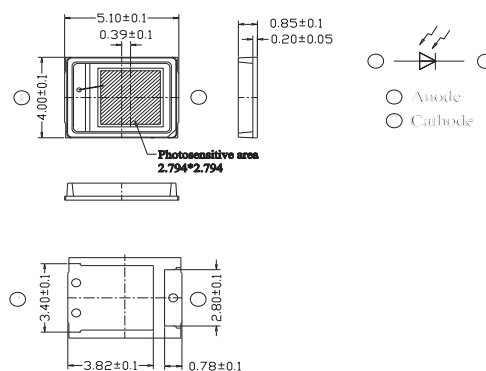
UNIT : mm



Product	Size (LxWxHmm)	λ_p (nm)	I_L Min (μA)	I_L Typ (μA)	BVR_Min.(V)	ID_Max (nA)
PD44-37C/L753/TR8	4.4x3.7x0.55	880	38.00	42.00	32.00	10



UNIT : mm

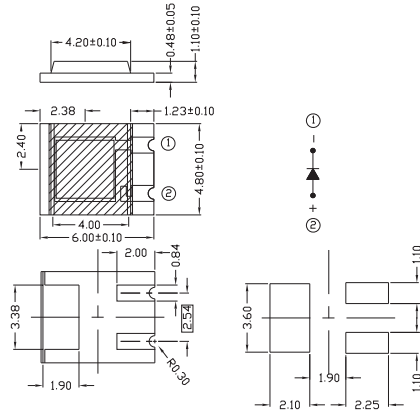


Product	Size (LxWxHmm)	λ_p (nm)	I_L Min (μA)	I_L Typ (μA)	BVR_Min.(V)	ID_Max (nA)
PD51-40C/TR8	5.1*4.0*0.85	940	20	30	32	10
PD51-40C/L665/TR8	5.1*4.0*0.85	620	19@525nm	23@525nm	32	10

Infrared LED and Silicon Detector | Photo Diode | SMD



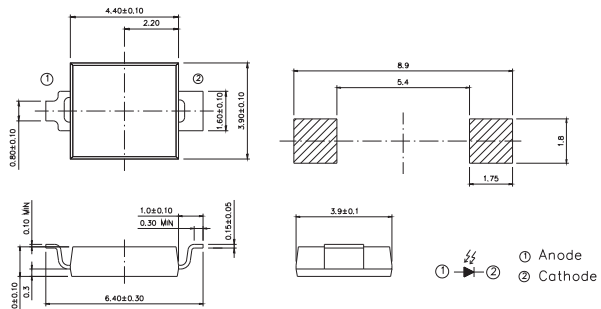
UNIT : mm



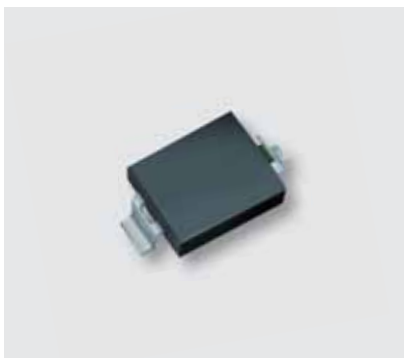
Product	Size (LxWxHmm)	λ_p (nm)	I_L Min (μA)	I_L Typ (μA)	BVR_Min (V)	ID_Max (nA)
PD60-48C/TR8	6x4.8x1.1	940	17	33.5	33	20



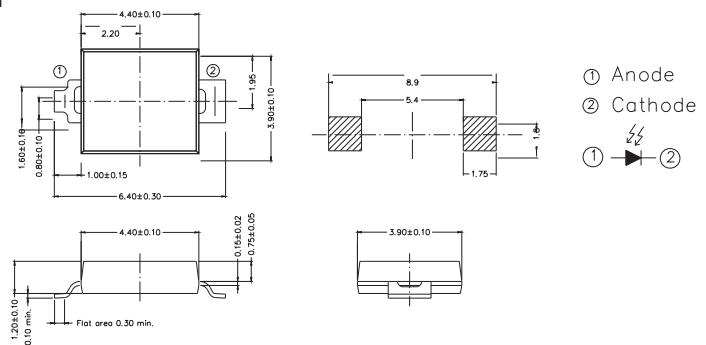
UNIT : mm



Product	Size (LxWxHmm)	λ_p (nm)	I_L Min (μA)	I_L Typ (μA)	BVR_Min.(V)	ID_Max (nA)
PD70-01B/TR10	4.4x3.9x1.2	940	17	25	32	30
PD70-01C/TR10	4.4x3.9x1.2	940	17	25	32	30



UNIT : mm



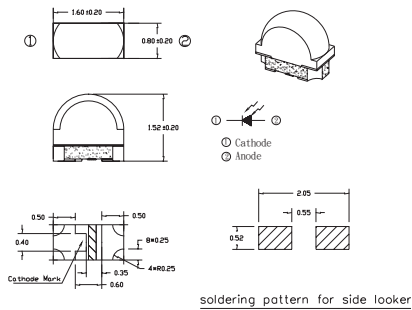
Product	Size (LxWxHmm)	λ_p (nm)	I_L Min (μA)	I_L Typ (μA)	BVR_Min.(V)	ID_Max (nA)
PD70-01B/TR7	4.4x3.9x1.2	940	17	25	32	30
PD70-01C/TR7	4.4x3.9x1.2	940	17	25	32	30
PD70-01C/L469/TR7	4.4x3.9x1.2	950	18@470nm	25@470nm	30	20@Vr=30V

Infrared LED and Silicon Detector

Infrared LED and Silicon Detector | Photo Diode | SMD



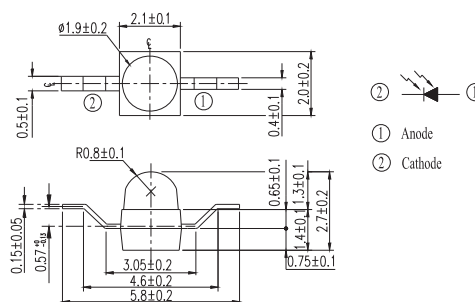
UNIT : mm



Product	Size (LxWxHmm)	λ_p (nm)	I_L Min (μA)	I_L Typ (μA)	BVR_Min.(V)	ID_Max (nA)
PD83-01B/L458/TR8	1.6x0.8x1.52	940	1.14	2.4	32	10



UNIT : mm

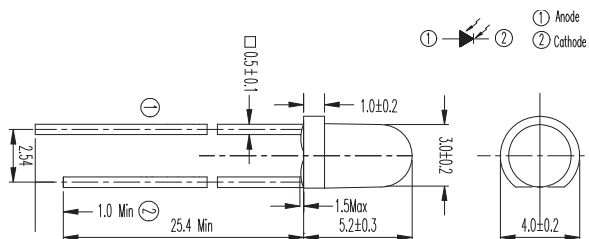


Product	Size (LxWxHmm)	λ_p (nm)	I_L Min (μA)	I_L Typ (μA)	BVR_Min.(V)	ID_Max (nA)
PD95-21B/TR10	2.1x2x2.7	940	1	4	32	10

Infrared LED and Silicon Detector | Photo Diode | DIP



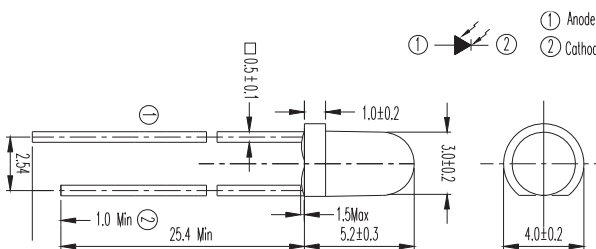
UNIT : mm



Product	Size (mm)	λ_P (nm)	I_L Min (μA)	I_L Typ (μA)	BVR_Min (V)	ID_Max (nA)
PD204-6C/L3	3	940	--	10	32	10



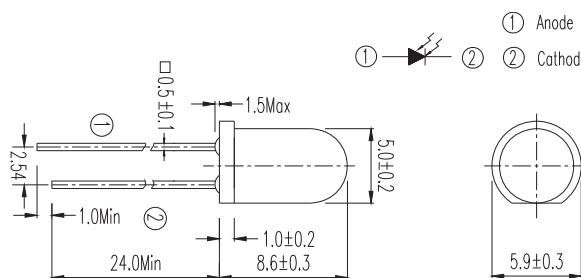
UNIT : mm



Product	Size (mm)	λ_P (nm)	I_L Min (μA)	I_L Typ (μA)	BVR_Min (V)	ID_Max (nA)
PD204-6B	3	940	1	3	32	10



UNIT : mm



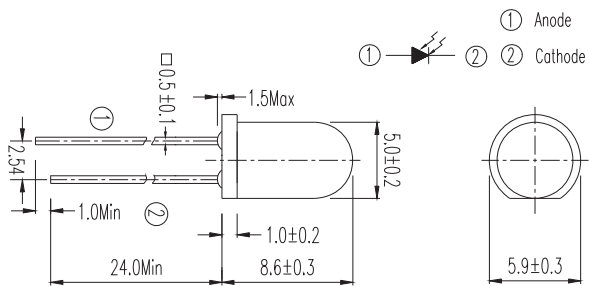
Product	Size (mm)	λ_P (nm)	I_L Min (μA)	I_L Typ (μA)	BVR_Min (V)	ID_Max (nA)
PD333-3C/H0/L2	5	940	36	40	32	30
PD333-3C/L793	5	940	20.00	35.00	30.00	10
PD333-3C/H0/L811	5	940	50.00	60.00	35.00	10

Infrared LED and Silicon Detector

Infrared LED and Silicon Detector | Photo Diode | DIP



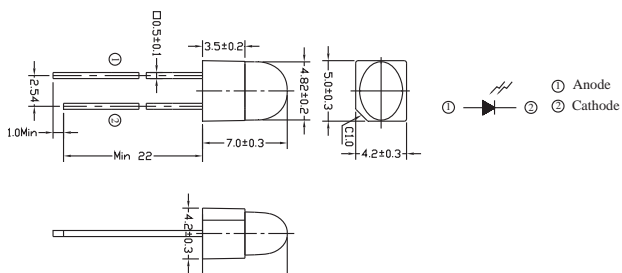
UNIT : mm



Product	Size (LxWxHmm)	λ_p (nm)	I_L_Min (μA)	I_L_Typ (μA)	BVR_Min (V)	ID_Max (nA)
PD333-3B/H0/L2	5	940	25	35	32	30



UNIT : mm

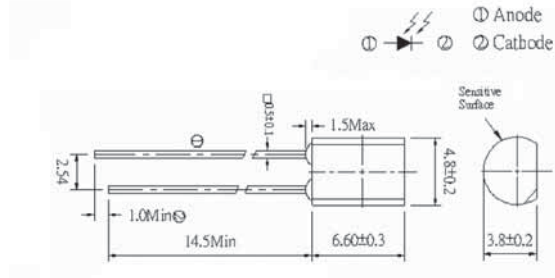


Product	Size (LxWxHmm)	λ_p (nm)	I_L_Min (μA)	I_L_Typ (μA)	BVR_Min (V)	ID_Max (nA)
PD5443-3B/L2	5	940	25	39	32	30

Infrared LED and Silicon Detector | Photo Diode | Side Look



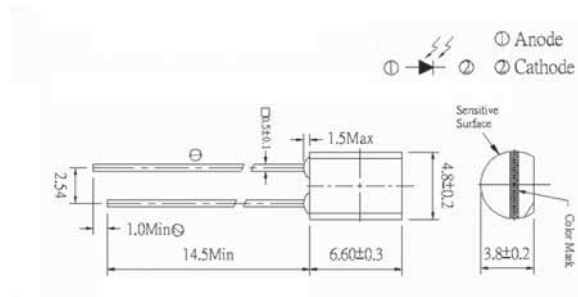
UNIT : mm



Product	Size (LxWxHmm)	λ_p (nm)	I_L Min (μA)	I_L Typ (μA)	Rise / Fall Time (ns)	BVR_Min.(V)	ID_Max (nA)
PD438B	4.8x3.8x6.6	940	10.2	18	50 / 50	32	30
PD438B/L1	4.8x3.8x6.6	940	2.6	4	10 / 10	32	10
PD438B/S46	4.8x3.8x6.6	940	10.2	18	50 / 50	32	30



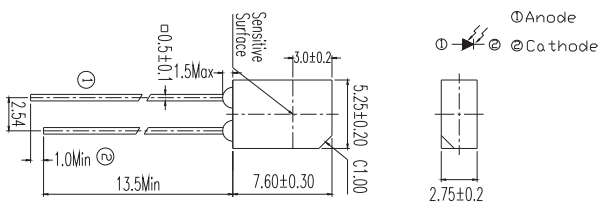
UNIT : mm



Product	Size (LxWxHmm)	λ_p (nm)	I_L Min (μA)	I_L Typ (μA)	Rise / Fall Time (ns)	BVR_Min.(V)	ID_Max (nA)
PD438C	4.8x3.8x6.6	940	10.2	18	50 / 50	32	30
PD438C/S46	4.8x3.8x6.6	940	10.2	18	50 / 50	32	30



UNIT : mm

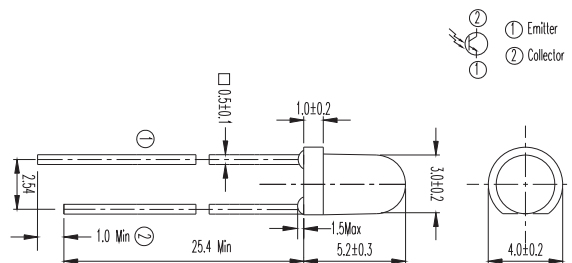


Product	Size (LxWxHmm)	λ_p (nm)	I_L Min (μA)	I_L Typ (μA)	Rise / Fall Time (ns)	BVR_Min.(V)	ID_Max (nA)
PD638B	5.2x2.75x7.6	940	10.2	18	50 / 50	32	30

Infrared LED and Silicon Detector | Photo Transistor | DIP



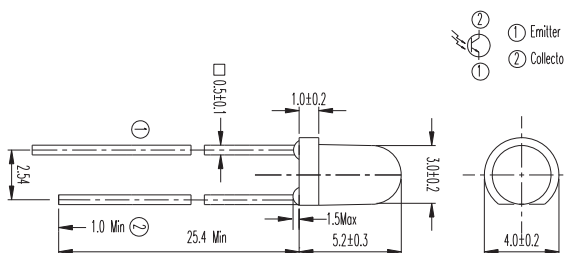
UNIT : mm



Product	Size (mm)	λ_p (nm)	$V_{CE(SAT_Max)}$ (V)	$I_{C(ON_Min)}$ (mA)	$I_{C(ON_Typ)}$ (mA)	$I_{C(ON_Max)}$ (mA)
PT204-6C	3	940	0.4	0.7	2	--



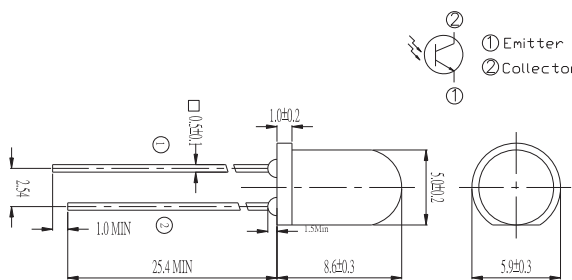
UNIT : mm



Product	Size (mm)	λ_p (nm)	$V_{CE(SAT_Max)}$ (V)	$I_{C(ON_Min)}$ (mA)	$I_{C(ON_Typ)}$ (mA)	$I_{C(ON_Max)}$ (mA)
PT204-6B	3	940	0.4	0.7	--	5.07

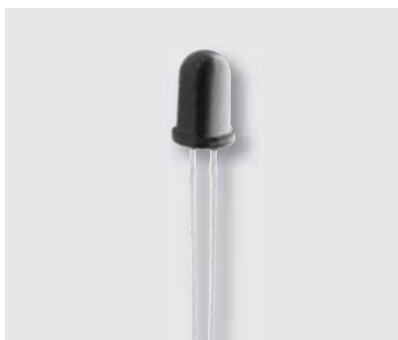


UNIT : mm

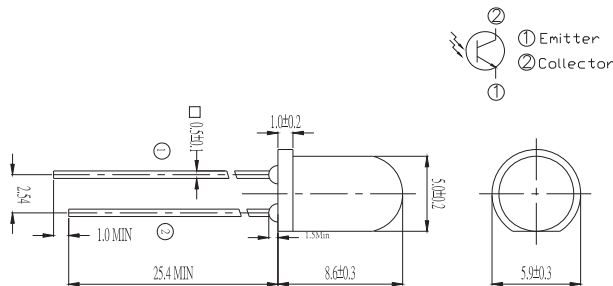


Product	Size (mm)	λ_p (nm)	$V_{CE(SAT_Max)}$ (V)	$I_{C(ON_Min)}$ (mA)	$I_{C(ON_Typ)}$ (mA)	$I_{C(ON_Max)}$ (mA)
PT333-3C	5	940	0.4	0.7	4	--

Infrared LED and Silicon Detector | Photo Transistor | DIP



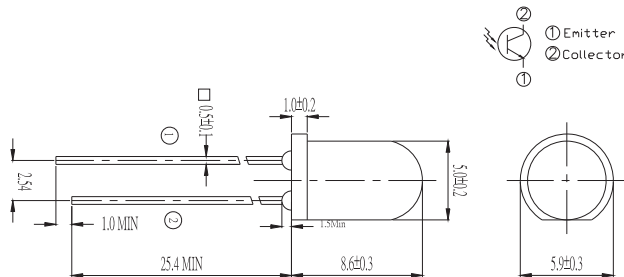
UNIT : mm



Product	Size (mm)	λ_p (nm)	$V_{CE(SAT_Max)}$ (V)	$I_{C(ON_Min)}$ (mA)	$I_{C(ON_Typ)}$ (mA)	$I_{C(ON_Max)}$ (mA)
PT333-3B	5	940	0.4	0.7	3	--



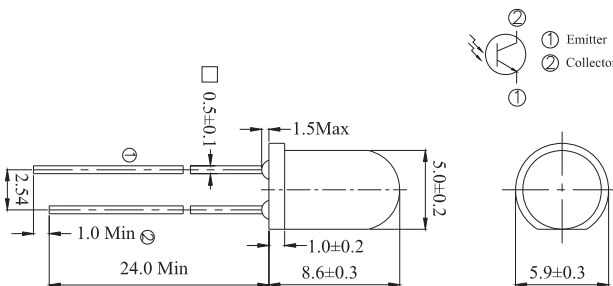
UNIT : mm



Product	Size (mm)	λ_p (nm)	$V_{CE(SAT_Max)}$ (V)	$I_{C(ON_Min)}$ (mA)	$I_{C(ON_Typ)}$ (mA)	$I_{C(ON_Max)}$ (mA)
PT334-6B	5	940	0.4	0.7	2	--



UNIT : mm



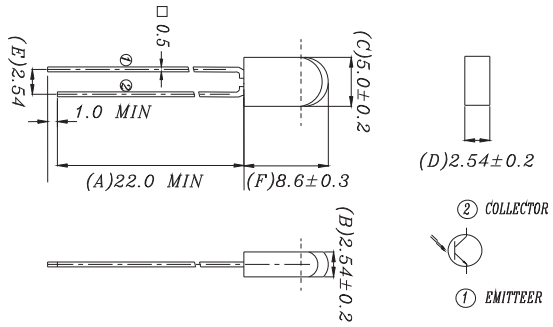
Product	Size (mm)	λ_p (nm)	$V_{CE(SAT_Max)}$ (V)	$I_{C(ON_Min)}$ (mA)	$I_{C(ON_Typ)}$ (mA)	$I_{C(ON_Max)}$ (mA)
PT334-6C	5	940	0.4	1.77	3.5	--

Infrared LED and Silicon Detector

Infrared LED and Silicon Detector | Photo Transistor | DIP



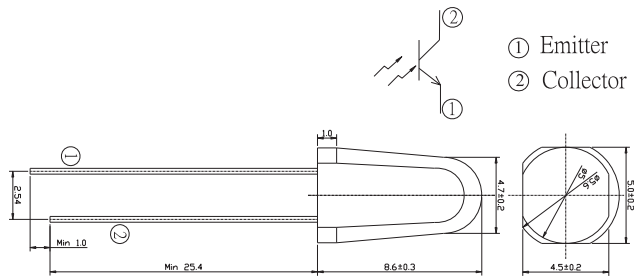
UNIT : mm



Product	Size (mm)	λ_P (nm)	$V_{CE(SAT)}_{Max}$ (V)	$I_{C(ON)}_{Min}$ (mA)	$I_{C(ON)}_{Typ}$ (mA)	$I_{C(ON)}_{Max}$ (mA)
PT534-6B	5	940	0.4	0.7	1.2	--



UNIT : mm

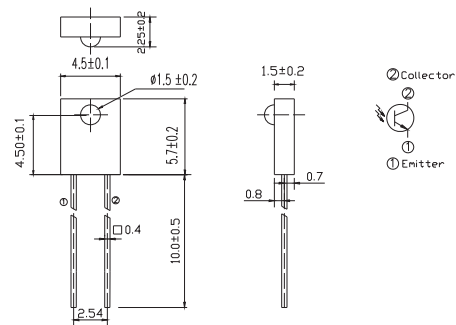


Product	Size (mm)	λ_P (nm)	$V_{CE(SAT)}_{Max}$ (V)	$I_{C(ON)}_{Min}$ (mA)	$I_{C(ON)}_{Typ}$ (mA)	$I_{C(ON)}_{Max}$ (mA)
PT1504-6B	5	940	0.4	1.77	4	--

Infrared LED and Silicon Detector | Photo Transistor | Side Look



UNIT : mm

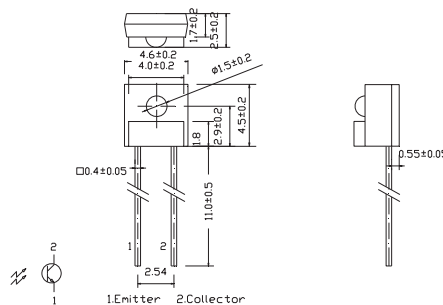


Product	Size (LxWxHmm)	λ_P (nm)	Rise / Fall Time (μs)	$V_{CE(SAT)}_{Max}$ (V)	$I_{C(ON)}_{Min}$ (mA)	$I_{C(ON)}_{Typ}$ (mA)	$I_{C(ON)}_{Max}$ (mA)
PT908-7B-F	4.5x2.25x5.7	940	15 / 15	0.4	0.8	--	5
PT908-7C-F	4.5x2.25x5.7	940	15 / 15	0.4	0.8	--	5

Infrared LED and Silicon Detector | Photo Transistor | Side Look



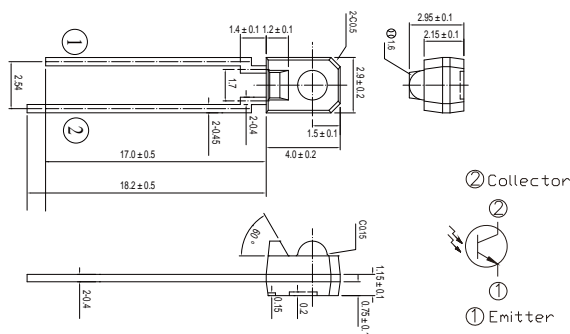
UNIT : mm



Product	Size (LxWxHmm)	λ_p (nm)	Rise / Fall Time (μ s)	$V_{CE(SAT)}$ _Max (V)	$I_{C(ON)}$ _Min (mA)	$I_{C(ON)}$ _Typ (mA)	$I_{C(ON)}$ _Max (mA)
PT928-6B-F	4.6x2.5x4.5	940	15 / 15	0.4	0.53	--	3.41
PT928-6C-F	4.6x2.5x4.5	940	15 / 15	0.4	0.53	--	3.41



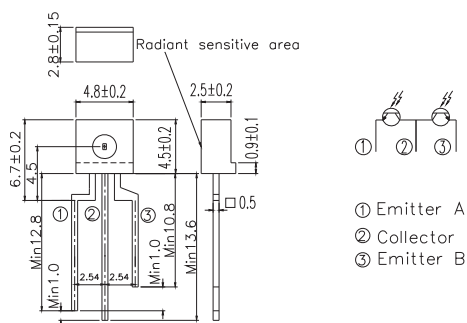
UNIT : mm



Product	Size (LxWxHmm)	λ_p (nm)	Rise / Fall Time (μ s)	$V_{CE(SAT)}$ _Max (V)	$I_{C(ON)}$ _Min (mA)	$I_{C(ON)}$ _Typ (mA)	$I_{C(ON)}$ _Max (mA)
PT968-8C	2.9x2.9x4	940	15 / 15	0.4	1.59	--	3.41



UNIT : mm



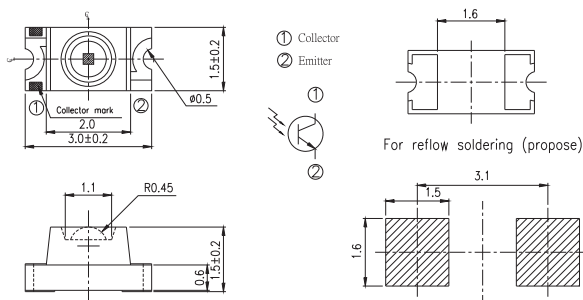
Product	Size (LxWxHmm)	λ_p (nm)	Rise / Fall Time (μ s)	$V_{CE(SAT)}$ _Max (V)	$I_{C(ON)}$ _Min (mA)	$I_{C(ON)}$ _Typ (mA)	$I_{C(ON)}$ _Max (mA)
PT2559B/L2-F	4.8x2.8x4.5	940	15 / 15	0.4	0.129	--	1.085
PT2559B/L2/H2-F	4.8x2.8x4.5	940	15 / 15	0.4	0.129	--	1.085
PT5529B/L2-F	4.8x2.8x4.5	940	15 / 15	0.4	0.129	--	1.085
PT5529B/L2/H2-F	4.8x2.8x4.5	940	15 / 15	0.4	0.129	--	1.085

Infrared LED and Silicon Detector

Infrared LED and Silicon Detector | Photo Transistor | SMD



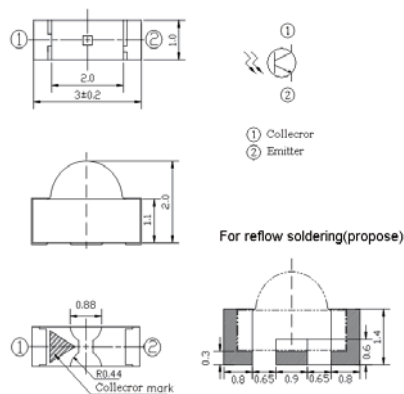
UNIT : mm



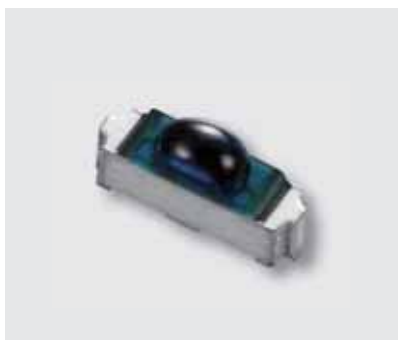
Product	Size (LxWxHmm)	λ_P (nm)	$V_{CE(SAT)}_{Max}$ (V)	$I_{C(ON)}_{Min}$ (mA)	$I_{C(ON)}_{Typ}$ (mA)	$I_{C(ON)}_{Max}$ (mA)
PT11-21C/L41/TR8	3x1.5x1.5	940	0.4	0.3	0.8	--



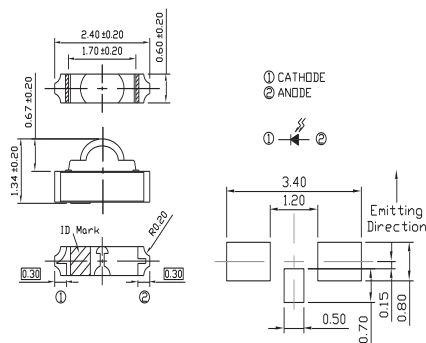
UNIT : mm



Product	Size (LxWxHmm)	λ_P (nm)	$V_{CE(SAT)}_{Max}$ (V)	$I_{C(ON)}_{Min}$ (mA)	$I_{C(ON)}_{Typ}$ (mA)	$I_{C(ON)}_{Max}$ (mA)
PT12-21B/TR8	3x1x2	940	0.4	0.3	--	--
PT12-21C/TR8	3x1x2	940	0.4	0.3	1.14	--



UNIT : mm

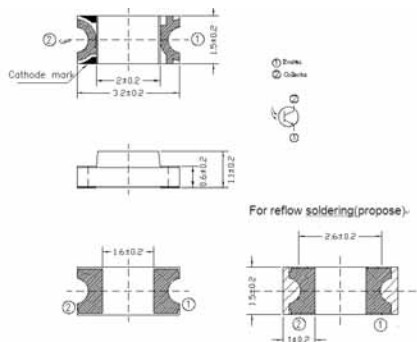


Product	Size (LxWxHmm)	λ_P (nm)	$V_{CE(SAT)}_{Max}$ (V)	$I_{C(ON)}_{Min}$ (mA)	$I_{C(ON)}_{Typ}$ (mA)	$I_{C(ON)}_{Max}$ (mA)
PT12-206B/L505/4G	2.4x0.6x1.34	880	0.40	0.30	0.60	--

Infrared LED and Silicon Detector | Photo Transistor | SMD



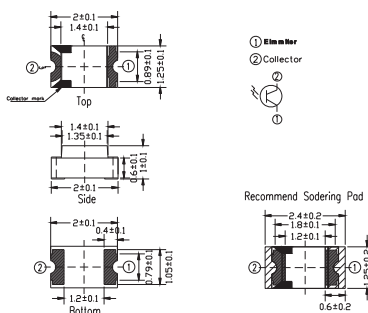
UNIT : mm



Product	Size (LxWxHmm)	λ_p (nm)	$V_{CE(SAT)}_{Max}$ (V)	$I_{C(ON)}_{Min}$ (mA)	$I_{C(ON)}_{Typ}$ (mA)	$I_{C(ON)}_{Max}$ (mA)
PT15-21B/TR8	3.2x1.5x1.1	940	0.4	0.1	0.3	--
PT15-21C/TR8	3.2x1.5x1.1	940	0.4	0.1	0.3	--



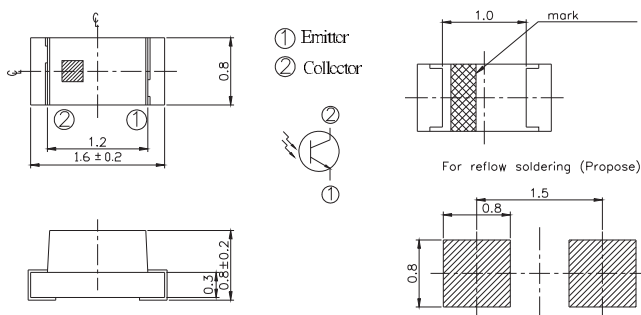
UNIT : mm



Product	Size (LxWxHmm)	λ_p (nm)	$V_{CE(SAT)}_{Max}$ (V)	$I_{C(ON)}_{Min}$ (mA)	$I_{C(ON)}_{Typ}$ (mA)	$I_{C(ON)}_{Max}$ (mA)
PT17-21B/L41/TR8	2x1.25x1.0	940	0.4	0.1	0.65	--
PT17-21C/L41/TR8	2x1.25x1.0	940	0.4	0.3	1	--



UNIT : mm



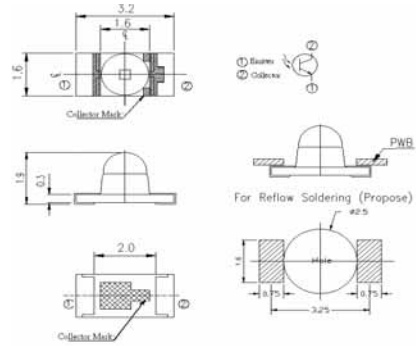
Product	Size (LxWxHmm)	λ_p (nm)	$V_{CE(SAT)}_{Max}$ (V)	$I_{C(ON)}_{Min}$ (mA)	$I_{C(ON)}_{Typ}$ (mA)	$I_{C(ON)}_{Max}$ (mA)
PT19-21B/L41/TR8	1.6x0.8x0.8	940	0.4	0.3	0.6	--
PT19-21C/L41/TR8	1.6x0.8x0.8	940	0.4	0.3	0.6	--

Infrared LED and Silicon Detector

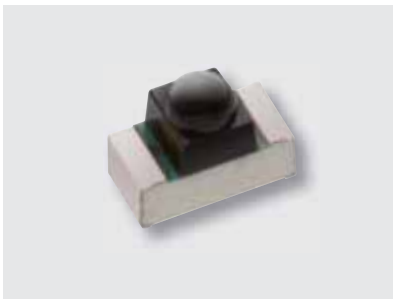
Infrared LED and Silicon Detector | Photo Transistor | SMD



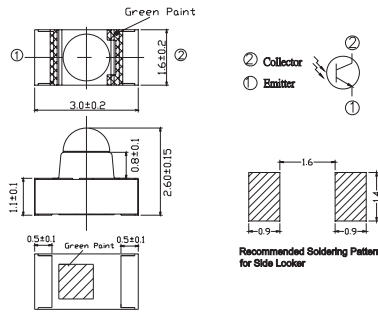
UNIT : mm



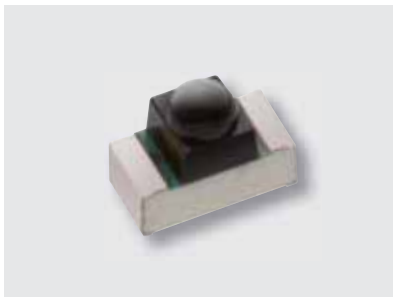
Product	Size (LxWxHmm)	λ_p (nm)	$V_{CE(SAT_Max)}$ (V)	$I_{C(ON_Min)}$ (mA)	$I_{C(ON_Typ)}$ (mA)	$I_{C(ON_Max)}$ (mA)
PT26-21B/TR8	3.2x1.6x1.9	940	0.4	--	2.6	--
PT26-21C/TR8	3.2x1.6x1.9	940	0.4	0.3	2.6	--



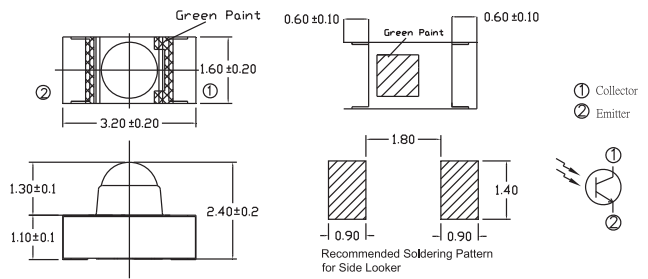
UNIT : mm



Product	Size (LxWxHmm)	λ_p (nm)	$V_{CE(SAT_Max)}$ (V)	$I_{C(ON_Min)}$ (mA)	$I_{C(ON_Typ)}$ (mA)	$I_{C(ON_Max)}$ (mA)
PT26-51B/TR8	3.0x1.6x2.6	940	0.4	--	1	--



UNIT : mm

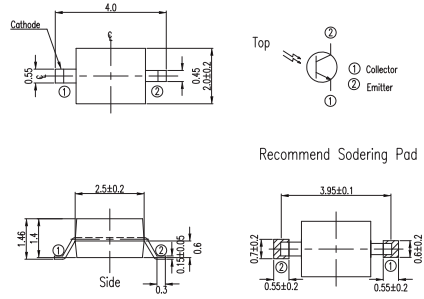


Product	Size (LxWxHmm)	λ_p (nm)	$V_{CE(SAT_Max)}$ (V)	$I_{C(ON_Min)}$ (mA)	$I_{C(ON_Typ)}$ (mA)	$I_{C(ON_Max)}$ (mA)
PT26-71B/TR8	3.2x1.6x2.4	920	0.4	1.14	3	--

Infrared LED and Silicon Detector | Photo Transistor | SMD



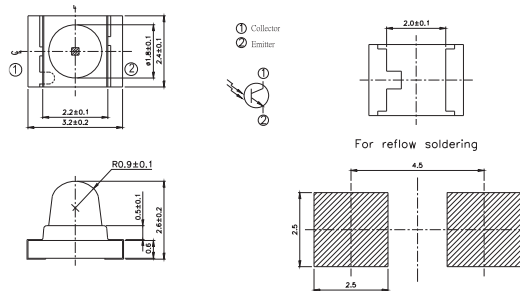
UNIT : mm



Product	Size (LxWxHmm)	λ_P (nm)	$V_{CE(SAT_Max)}$ (V)	$I_{C(ON_Min)}$ (mA)	$I_{C(ON_Typ)}$ (mA)	$I_{C(ON_Max)}$ (mA)
PT28-21B/TR8	2.5x2.0x1.4	940	0.4	0.1	0.3	-



UNIT : mm



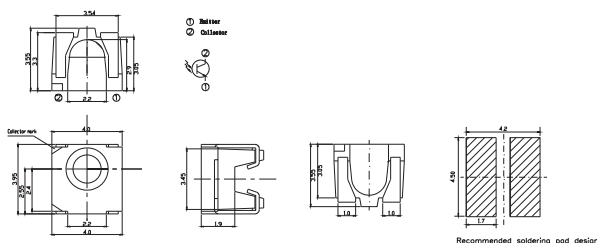
Product	Size (LxWxHmm)	λ_P (nm)	$V_{CE(SAT_Max)}$ (V)	$I_{C(ON_Min)}$ (mA)	$I_{C(ON_Typ)}$ (mA)	$I_{C(ON_Max)}$ (mA)
PT42-21B/TR8	3.2x2.4x2.6	940	0.4	1.77	3	--

Infrared LED and Silicon Detector

Infrared LED and Silicon Detector | Photo Transistor | SMD



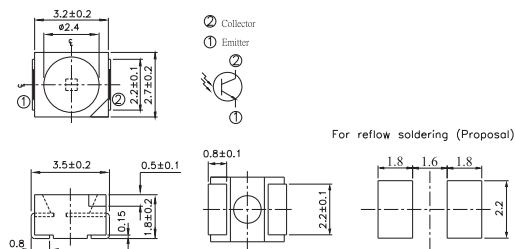
UNIT : mm



Product	Size (LxWxHmm)	λ_P (nm)	$V_{CE(SAT_Max)}$ (V)	$I_{C(ON_Min)}$ (mA)	$I_{C(ON_Typ)}$ (mA)	$I_{C(ON_Max)}$ (mA)
PT57-21B/TR8	4x3.95x3.55	940	0.4	0.4	0.8	5.0



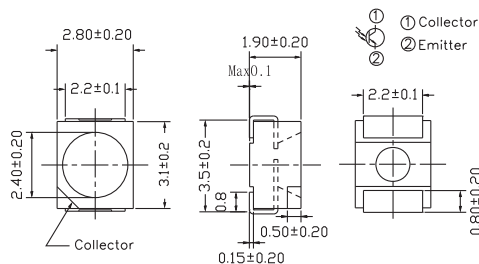
UNIT : mm



Product	Size (LxWxHmm)	λ_P (nm)	$V_{CE(SAT_Max)}$ (V)	$I_{C(ON_Min)}$ (mA)	$I_{C(ON_Typ)}$ (mA)	$I_{C(ON_Max)}$ (mA)
PT67-21B/C14/TR8	3.5x2.7x1.8	940	0.4	0.016	--	0.08



UNIT : mm

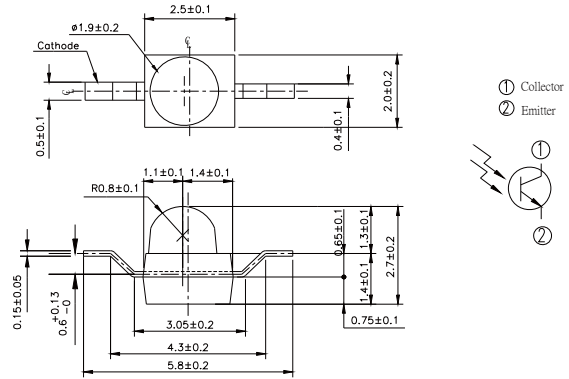


Product	Size (LxWxHmm)	λ_P (nm)	$V_{CE(SAT_Max)}$ (V)	$I_{C(ON_Min)}$ (mA)	$I_{C(ON_Typ)}$ (mA)	$I_{C(ON_Max)}$ (mA)
PT67-21C/L41/TR8	3.5x2.8x1.9	940	0.4	0.3	1	--

Infrared LED and Silicon Detector | Photo Transistor | SMD



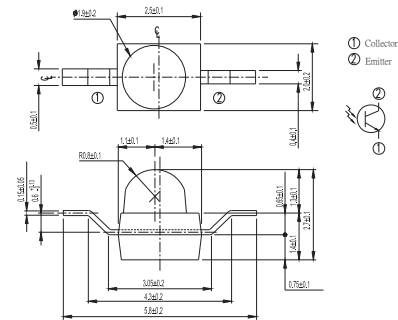
UNIT : mm



Product	Size (LxWxHmm)	λ_p (nm)	$V_{CE(SAT_Max)}$ (V)	$I_{C(ON_Min)}$ (mA)	$I_{C(ON_Typ)}$ (mA)	$I_{C(ON_Max)}$ (mA)
PT91-21B	2.5x2x2.7	940	0.4	1	3	--
PT91-21B/TR10	2.5x2x2.7	940	0.4	1	3	--
PT91-21B/TR7	2.5x2x2.7	940	0.4	1	3	--
PT91-21B/TR9	2.5x2x2.7	940	0.4	1	3	--



UNIT : mm

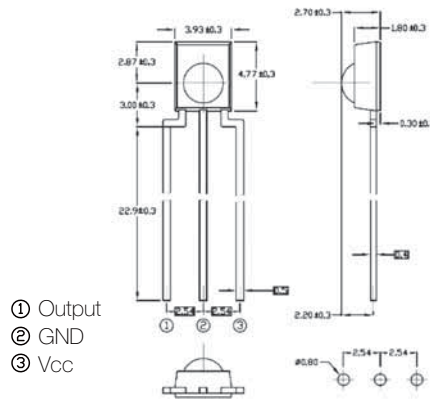


Product	Size (LxWxHmm)	λ_p (nm)	$V_{CE(SAT_Max)}$ (V)	$I_{C(ON_Min)}$ (mA)	$I_{C(ON_Typ)}$ (mA)	$I_{C(ON_Max)}$ (mA)
PT91-21C	2.5x2x2.7	940	0.4	1	1.5	--
PT91-21C/TR10	2.5x2x2.7	940	0.4	1	1.5	--
PT91-21C/TR7	2.5x2x2.7	940	0.4	1	1.5	--

Infrared Receiver Module | DIP | Vout-GND-Vcc



UNIT : mm



IRM-66xx

Product	Size (LxWxHmm)	λ_p (nm)	Carrier Freq. (KHz)	Supply Voltage (V)	I_{CC} Typ (mA)	L_{Center_Typ} (m)	L_{45_Typ} (m)
IRM-66xxT	5.87x3.93x2.7	940	36 / 38	2.7~5.5	0.45	14	6
IRM-66xxM	5.87x3.93x2.7	940	36 / 38	2.7~5.5	0.4	14	6
IRM-66xxM2	5.87x3.93x2.7	940	36 / 38 / 40	2.7~5.5	0.4	14	6
IRM-66xxM3	5.87x3.93x2.7	940	36 / 38 / 56	2.7~5.5	0.4	14	6
IRM-66xxJ	5.87x3.93x2.7	940	38	2.7~5.5	0.4	14	6
IRM-66XXJ2	5.87x3.93x2.7	940	36 / 38 / 40	2.7~5.5	0.4	14	6

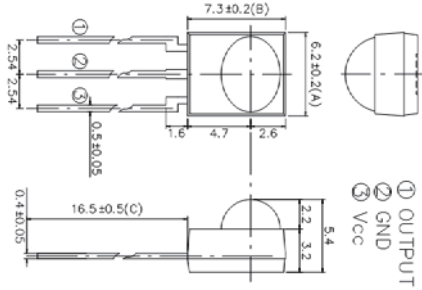


Infrared Receiver Module

Infrared Receiver Module | DIP | Vout-GND-Vcc



UNIT : mm



IRM-86xx

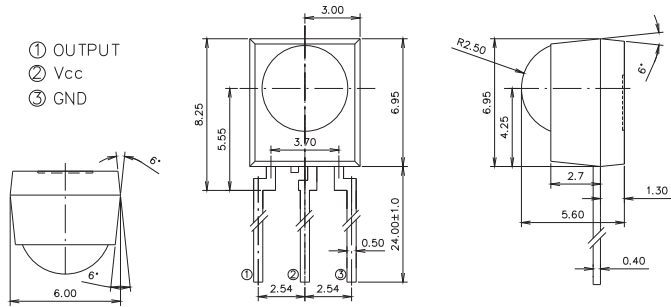
Product	Size (LxWxHmm)	λ_p (nm)	Carrier Freq. (KHz)	Supply Voltage (V)	I_{cc} Typ (mA)	L_{Center} (m)	L_{45} (m)
IRM-8601M2	8.9x6.2x5.4	940	36 / 38 / 40	2.7~5.5	0.4	8	5
IRM-8601JF	8.9x6.2x5.4	940	38	4.5~5.5	0.48	8	5

Infrared Receiver Module

Infrared Receiver Module | DIP | Vout-GND-Vcc



UNIT : mm



IRM-37xx

Product	Size (LxWxHmm)	λ_p (nm)	Carrier Freq. (KHz)	Supply Voltage (V)	I_{CC} Typ (mA)	L_{Center} (m)	L_{45} (m)
IRM-37xxT	8.25x6.0x5.6	940	36 / 38	2.7~5.5	0.45	20	10
IRM-37xxM	8.25x6.0x5.6	940	36 / 38	2.7~5.5	0.4	20	10
IRM-37xxM2	8.25x6.0x5.6	940	36 / 38 / 40	2.7~5.5	0.4	20	10
IRM-37xxM3	8.25x6.0x5.6	940	36 / 38 / 56	2.7~5.5	0.4	20	10

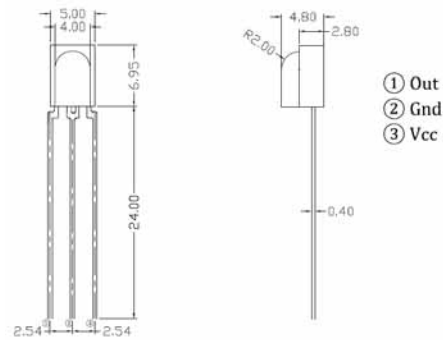
IRM-37XXXS23F122	IRM-37XXXS25F123	IRM-37XXXS26F124

Infrared Receiver Module

Infrared Receiver Module | DIP | Vout-GND-Vcc



UNIT : mm



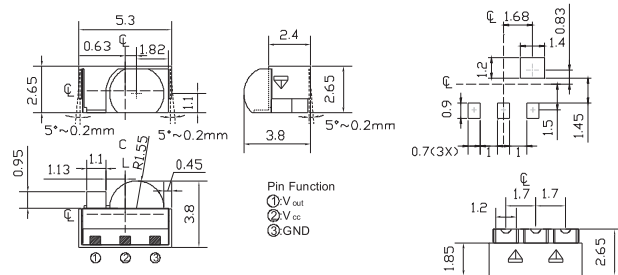
IRM-76x

Product	Size (LxWxHmm)	λ_p (nm)	Carrier Freq. (KHz)	Supply Voltage (V)	I_{CC} Typ (mA)	L_{Center} Typ. (m)	L_{45} Typ. (m)
IRM-76389	6.95x5.0x4.8	940	38	2.7~5.5	0.23	14	7

Infrared Receiver Module | SMD | Side -View



UNIT : mm



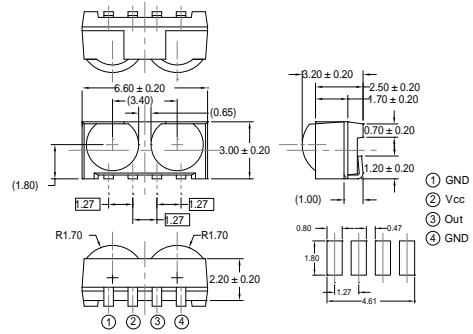
IRM-V5xx

Product	Size (LxWxHmm)	λ_p (nm)	Carrier Freq. (KHz)	Supply Voltage (V)	I_{CC} Typ (mA)	L_{Center} (m)	L_{45} (m)
IRM-V5xxT	5.3x3.8x2.65	940	36 / 38	2.7~5.5	0.4	8	5
IRM-V5xxM	5.3x3.8x2.65	940	36 / 38	2.7~5.5	0.4	8	5
IRM-V5xxM2	5.3x3.8x2.65	940	36 / 38 / 40	2.7~5.5	0.4	8	5
IRM-V5xxM3	5.3x3.8x2.65	940	36 / 38 / 56	2.7~5.5	0.4	8	5
IRM-V5xxJ2	5.3x3.8x2.65	940	36 / 38 / 40	2.7~5.5	0.53	8	5

Infrared Receiver Module | SMD | Side -View



UNIT : mm



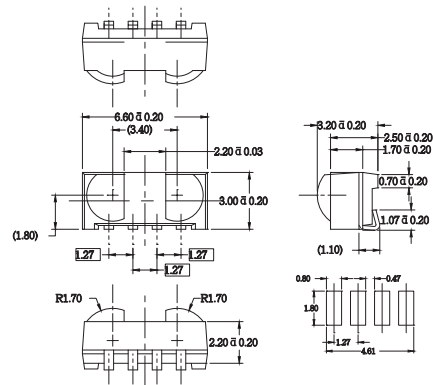
IRM-V8xx

Product	Size (LxWxHmm)	λ_p (nm)	Carrier Freq. (KHz)	Supply Voltage (V)	I _{CC} Typ (mA)	L _{Center} (m)	L ₄₅ (m)
IRM-V8xxT	6.6x3x3.2	940	36 / 38	2.7~5.5	0.45	8	5
IRM-V8xxM	6.6x3x3.2	940	36 / 38	2.7~5.5	0.4	8	5
IRM-V8xxM2	6.6x3x3.2	940	36 / 38 / 40	2.7~5.5	0.4	8	5
IRM-V8xxM3	6.6x3x3.2	940	36 / 38 / 56	2.7~5.5	0.4	8	5
IRM-V8xxJ	6.6x3x3.2	940	36 / 38	2.7~5.5	1	8	5
IRM-V8xxJ2	6.6x3x3.2	940	36 / 38 / 40	2.7~5.5	0.9	8	5
IRM-V8XXJ8	6.6x3x2.5	940	32 / 36 / 38 / 40	2.7~5.5	0.4	8	5
IRM-V8XXJ9	6.6x3x2.5	940	32 / 36 / 38 / 40	2.7~5.5	0.6	8	5

Infrared Receiver Module



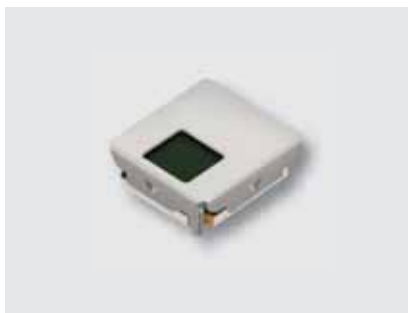
UNIT : mm



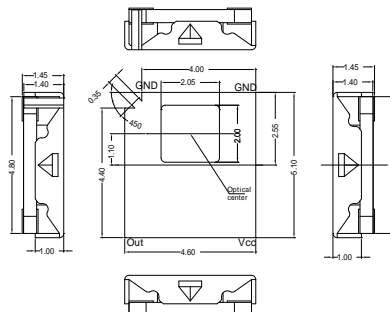
IRM-V8xx-C

Product	Size (LxWxHmm)	λ_p (nm)	Carrier Freq. (KHz)	Supply Voltage (V)	I _{CC} Typ (mA)	L _{Center} (m)	L ₄₅ (m)
IRM-V8xxM3-C	6.6x3x3.2	940	36 / 38 / 56	2.7~5.5	0.4	8	5
IRM-V8xxJ2-C	6.6x3x3.2	940	36 / 38 / 40	2.7~5.5	0.4	8	5

Infrared Receiver Module | SMD | Top -View



UNIT : mm



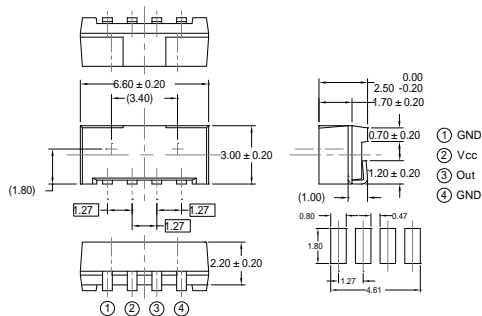
IRM-H2xx

Product	Size (LxWxHmm)	λ_p (nm)	Carrier Freq. (KHz)	Supply Voltage (V)	I_{CC} Typ (mA)	L_{Center} (m)	L_{45} (m)
IRM-H2xxT	5.1x4.6x1.45	940	36 / 38	2.7~5.5	0.4	8	5
IRM-H2xxM2	5.1x4.6x1.45	940	36 / 38 / 40	2.7~5.5	0.4	8	5
IRM-H2xxM3	5.1x4.6x1.45	940	36 / 38 / 56	2.7~5.5	0.4	8	5
IRM-H2XXJ2	5.1x4.6x1.45	940	36 / 38 / 40	2.7~5.5	0.4	8	5

Infrared Receiver Module



UNIT : mm



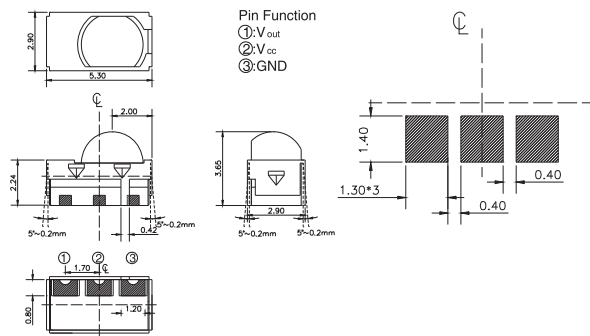
IRM-H3xx

Product	Size (LxWxHmm)	λ_p (nm)	Carrier Freq. (KHz)	Supply Voltage (V)	I_{CC} Typ (mA)	L_{Center} (m)	L_{45} (m)
IRM-H3xxM3	6.6x3x2.5	940	36 / 38 / 56	2.7~5.5	0.4	8	5
IRM-H3xxJ	6.6x3x2.5	940	38	2.7~5.5	1	8	5
IRM-H3XXJ8	6.6x3x2.5	940	32 / 36 / 38 / 40	2.7~5.5	0.4	8	5

Infrared Receiver Module | SMD | Top -View



UNIT : mm

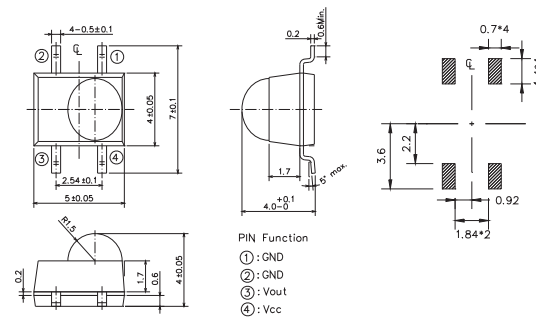


IRM-H5xx

Product	Size (LxWxHmm)	λ_p (nm)	Carrier Freq. (KHz)	Supply Voltage (V)	I _{CC} Typ (mA)	L _{Center} (m)	L ₄₅ (m)
IRM-H5xxT	5.3x2.9x3.65	940	36 / 38	2.7~5.5	0.4	8	5
IRM-H5xxM	5.3x2.9x3.65	940	36 / 38 / 40	2.7~5.5	0.4	8	5
IRM-H5xxM3	5.3x2.9x3.65	940	36 / 38 / 56	2.7~5.5	0.4	8	5



UNIT : mm



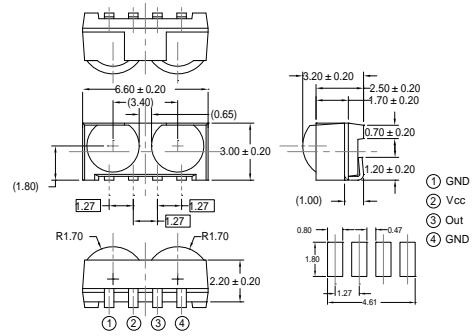
IRM-H6xx

Product	Size (LxWxHmm)	λ_p (nm)	Carrier Freq. (KHz)	Supply Voltage (V)	I _{CC} Typ (mA)	L _{Center} (m)	L ₄₅ (m)
IRM-H6xxT	5x4x4	940	36 / 38	2.7~5.5	0.4	8	5
IRM-H6xxM	5x4x4	940	36 / 38 / 40	2.7~5.5	0.4	8	5
IRM-H6xxM3	5x4x4	940	36 / 38 / 56	2.7~5.5	0.4	8	5
IRM-H6xxJ7	5x4x4	940	36 / 38	2.7~5.5	0.5	8	5
IRM-H600JW	5x4x4	940	20-60	2.7~5.5	0.4	8	5

Infrared Receiver Module | SMD | Top -View



UNIT : mm

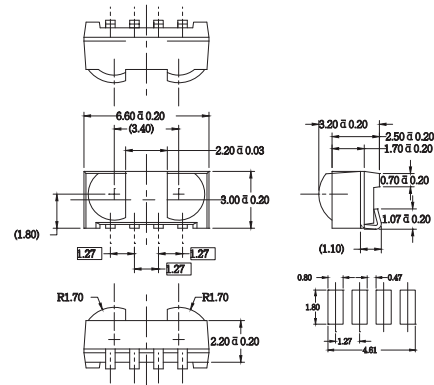


IRM-H8xx

Product	Size (LxWxHmm)	λ_p (nm)	Carrier Freq. (KHz)	Supply Voltage (V)	I_{CC} Typ (mA)	L_{Center} (m)	L_{45} (m)
IRM-H8xxM	6.6x3x3.2	940	36 / 38	2.7~5.5	0.4	8	5
IRM-H8xxM3	6.6x3x3.2	940	36 / 38 / 56	2.7~5.5	0.4	8	5
IRM-H8xxJ	6.6x3x3.2	940	36 / 38	2.7~5.5	0.8	8	5
IRM-H8XXJ8	6.6x3x3.2	940	32 / 36 / 38 / 40	2.7~5.5	0.4	8	5
IRM-H8XXJ9	6.6x3x3.2	940	32 / 36 / 38 / 40	2.7~5.5	0.6	8	5



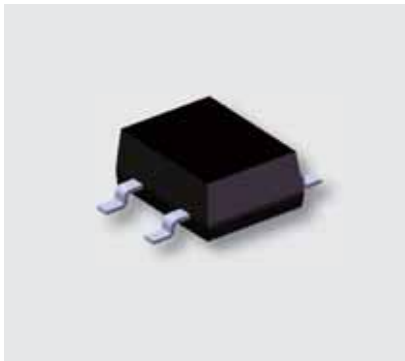
UNIT : mm



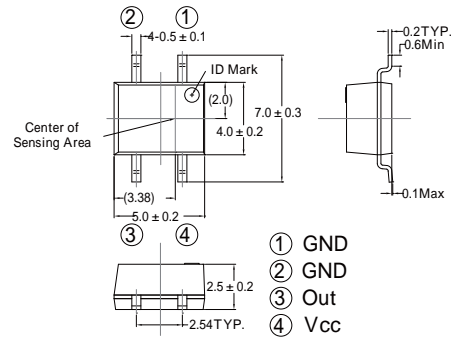
IRM-H8xx-C

Product	Size (LxWxHmm)	λ_p (nm)	Carrier Freq. (KHz)	Supply Voltage (V)	I_{CC} Typ (mA)	L_{Center} (m)	L_{45} (m)
IRM-H8xxM3-C	6.6x3x3.2	940	36 / 38 / 56	2.7~5.5	0.4	8	5
IRM-H8xxJ2-C	6.6x3x3.2	940	36 / 38 / 40	2.7~5.5	0.4	8	5

Infrared Receiver Module | Standard Burst | SMD



UNIT : mm



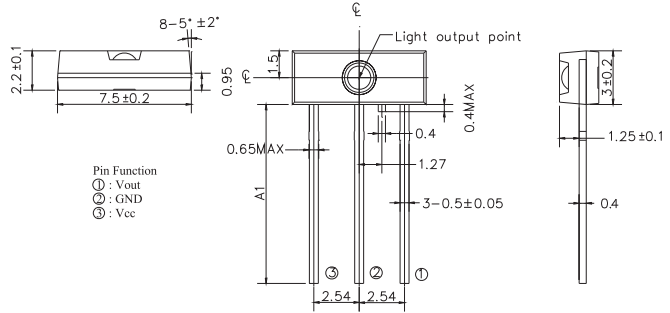
IRM-H9xx

Product	Size (LxWxHmm)	λ_p (nm)	Carrier Freq. (KHz)	Supply Voltage (V)	I_{cc} Typ (mA)	L_{Center} (m)	L_{45} (m)
IRM-H9xxT	5x4x2.5	940	36 / 38	2.7~5.5	0.4	8	5
IRM-H9xxM3	5x4x2.5	940	36 / 38 / 56	2.7~5.5	0.4	8	5
IRM-H9xxZ3	5X4X2.5	940	36/38/40	2.7~5.5	0.21	8	5

Optic-Fiber Device (Photo Link) | Receiver (PLR) Component



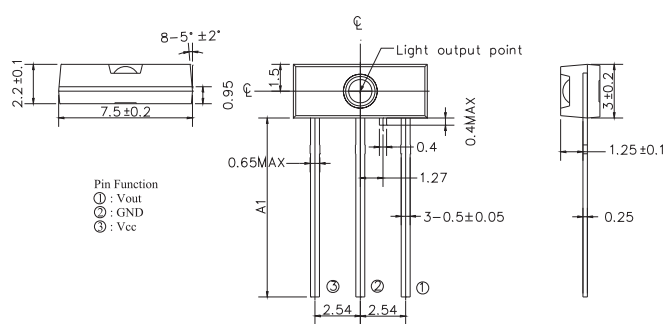
UNIT : mm



Product	Size (LxWxHmm)	Fiber Coupling Receiver Power_ Max (dBm)	Fiber Coupling Receiver Power_ Min (dBm)	Operation Voltage (V)	Plastic Holder	Trans - mission Speed (Mb/s)	L/F Thicknes (mm)
PLR135	7.5x3x2.2	-14	-27	2.4~5.5	None	16	0.4
PLR233	7.5x3x2.2	-14	-27	2.4~5.5	None	25	0.4



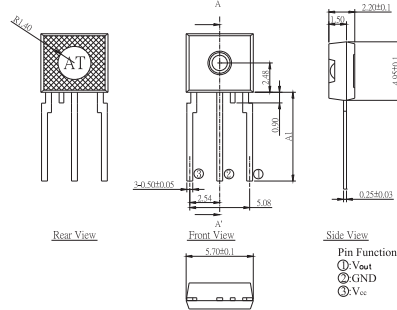
UNIT : mm



Product	Size (LxWxHmm)	Fiber Coupling Receiver Power_ Max (dBm)	Fiber Coupling Receiver Power_ Min (dBm)	Operation Voltage (V)	Plastic Holder	Trans - mission Speed (Mb/s)	L/F Thicknes (mm)
PLR137	7.5x3x2.2	-14	-27	2.4~5.5	None	16	0.25
PLR237	7.5x3x2.2	-14	-27	2.4~5.5	None	25	0.25



UNIT : mm



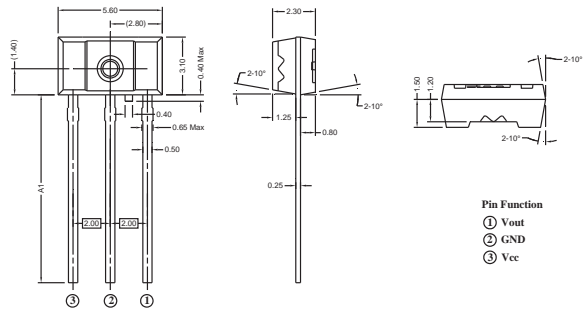
Product	Size (LxWxHmm)	Fiber Coupling Receiver Power_ Max (dBm)	Fiber Coupling Receiver Power_ Min (dBm)	Operation Voltage (V)	Plastic Holder	Trans - mission Speed (Mb/s)	L/F Thicknes (mm)
PLR155	5.7x4.95x2.2	-14	-27	2.4~5.5	None	16	0.25
PLR253	5.7x4.95x2.2	-14	-27	2.4~5.5	None	25	0.25

Optic-Fiber Device (Photo Link)

Optic-Fiber Device (Photo Link) | Receiver (PLR) Component



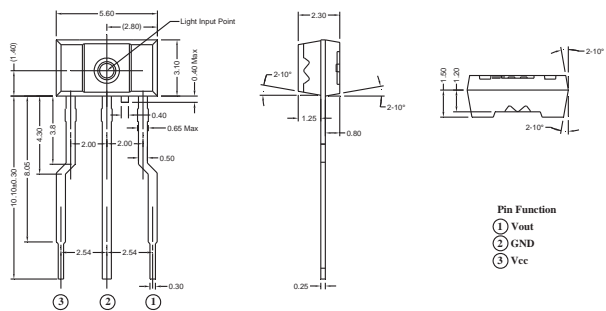
UNIT : mm



Product	Size (LxWxHmm)	Fiber Coupling Receiver Power_ Max (dBm)	Fiber Coupling Receiver Power_ Min (dBm)	Operation Voltage (V)	Plastic Holder	Trans - mission Speed (Mb/s)	L/F Thicknes (mm)
PLR162	5.6x3.1x2.3	-14	-27	2.4~5.5	None	16	0.25
PLR262	5.6x3.1x2.3	-14	-27	2.4~5.5	None	25	0.25



UNIT : mm



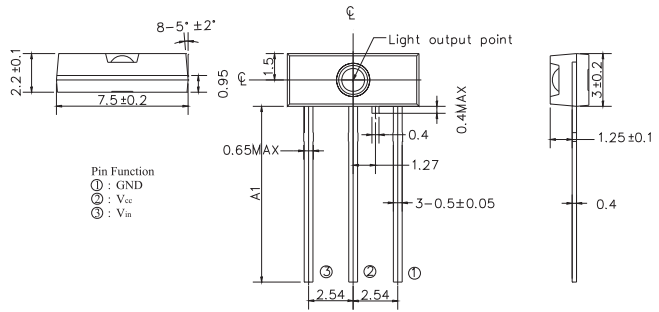
Product	Size (LxWxHmm)	Fiber Coupling Receiver Power_ Max (dBm)	Fiber Coupling Receiver Power_ Min (dBm)	Operation Voltage (V)	Plastic Holder	Trans - mission Speed (Mb/s)	L/F Thicknes (mm)
PLR162M	5.6x3.1x2.3	-14	-27	2.4~5.5	None	16	0.25

Optic-Fiber Device (Photo Link)

Optic-Fiber Device (Photo Link) | Transmitter (PLT) Component



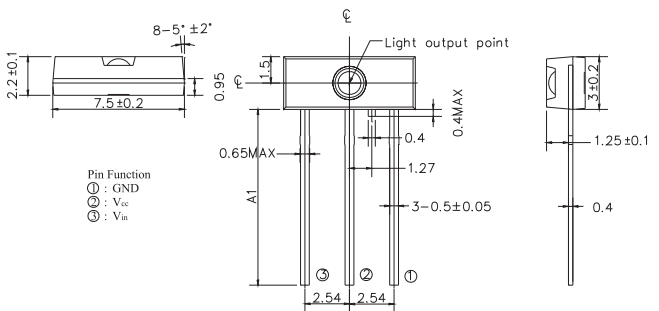
UNIT : mm



Product	Size (LxWxHmm)	Fiber Coupling Output Power_Max (dBm)	Fiber Coupling Output Power_Min (dBm)	Operation Voltage (V)	Plastic Holder	Trans - mission Speed (Mb/s)	L/F Thicknes (mm)
PLT132	7.5x3x2.2	-15	-21	3~5	None	16	0.4
PLT232/L5	7.5x3x2.2	-15	-21	3~5	None	25	0.4



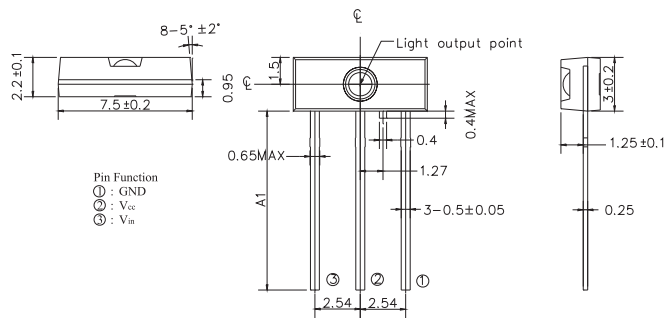
UNIT : mm



Product	Size (LxWxHmm)	Fiber Coupling Output Power_Max (dBm)	Fiber Coupling Output Power_Min (dBm)	Operation Voltage (V)	Plastic Holder	Trans - mission Speed (Mb/s)	L/F Thicknes (mm)
PLT133	7.5x3x2.2	-15	-21	3~5	None	16	0.4



UNIT : mm



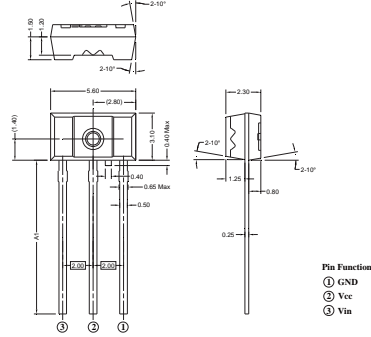
Product	Size (LxWxHmm)	Fiber Coupling Output Power_Max (dBm)	Fiber Coupling Output Power_Min (dBm)	Operation Voltage (V)	Plastic Holder	Trans - mission Speed (Mb/s)	L/F Thicknes (mm)
PLT137	7.5x3x2.2	-15	-21	3~5	None	16	0.25
PLT237	7.5x3x2.2	-15	-21	3~5	None	25	0.25

Optic-Fiber Device (Photo Link)

Optic-Fiber Device (Photo Link) | Transmitter (PLT) Component



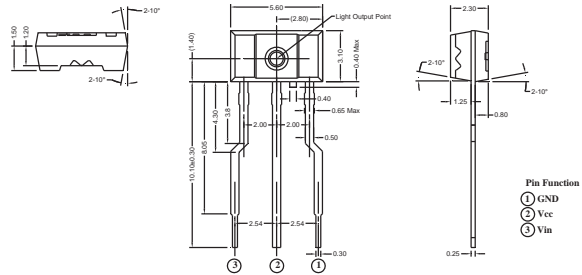
UNIT : mm



Product	Size (LxWxHmm)	Fiber Coupling Output Power_Max (dBm)	Fiber Coupling Output Power_Min (dBm)	Operation Voltage (V)	Plastic Holder	Trans - mission Speed (Mb/s)	L/F Thicknes (mm)
PLT262	5.6x3.1x2.3	-15	-21	3~5	None	25	0.25



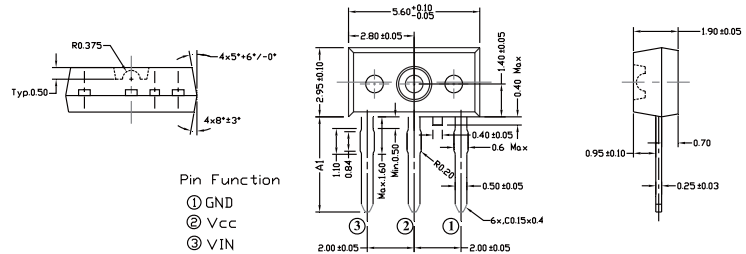
UNIT : mm



Product	Size (LxWxHmm)	Fiber Coupling Output Power_Max (dBm)	Fiber Coupling Output Power_Min (dBm)	Operation Voltage (V)	Plastic Holder	Trans - mission Speed (Mb/s)	L/F Thicknes (mm)
PLT262M	5.6x3.1x2.3	-15	-21	3~5	None	25	0.25



UNIT : mm

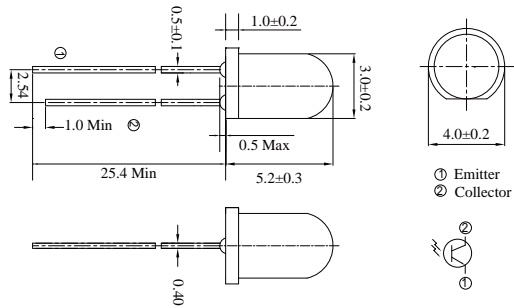


Product	Size (LxWxHmm)	Fiber Coupling Output Power_Max (dBm)	Fiber Coupling Output Power_Min (dBm)	Operation Voltage (V)	Plastic Holder	Trans - mission Speed (Mb/s)	L/F Thicknes (mm)
PLT272/L5	5.6x2.95x1.9	-15	-21	3~5	None	25	0.25

Optical Sensors | Ambient Light Sensor | Analog



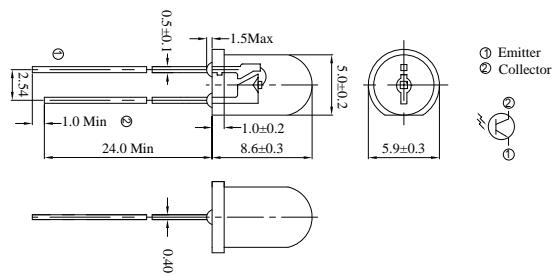
UNIT : mm



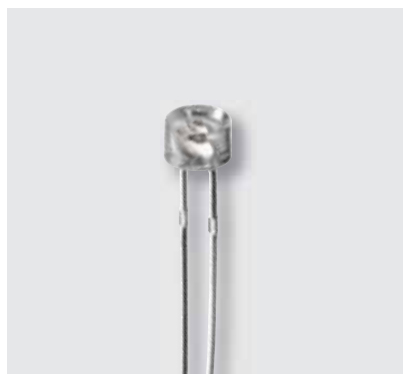
Product	Size (mm)	Supply Voltage (V)	Sensitivity λ_p (nm)	Range λ (nm)	Light current (μA) $E_v=100\text{lux}$	I_D _Max (μA)	Rise / Fall Time (μs)
ALS-PT204-6C/L177	3	2.5-5.5	630	370-670	15-100	0.1	110 / 120



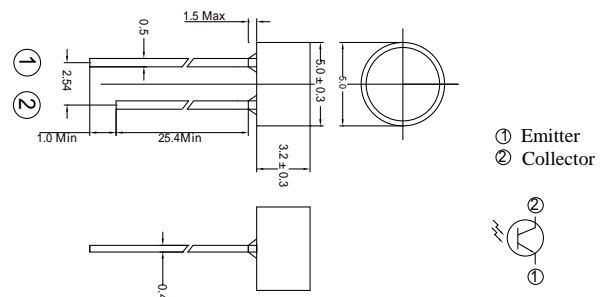
UNIT : mm



Product	Size (mm)	Supply Voltage (V)	Sensitivity λ_p (nm)	Range λ (nm)	Light current (μA) $E_v=100\text{lux}$	I_D _Max (μA)	Rise / Fall Time (μs)
ALS-PT333-3C/L177	5	2.5-5.5	560	390-700	90-160	0.1	80 / 90

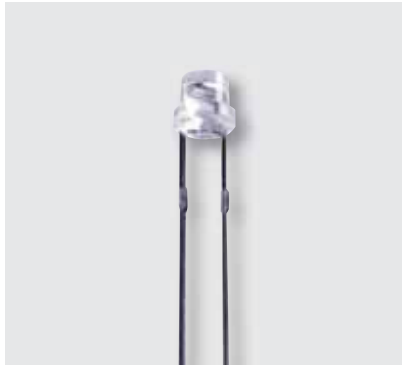


UNIT : mm

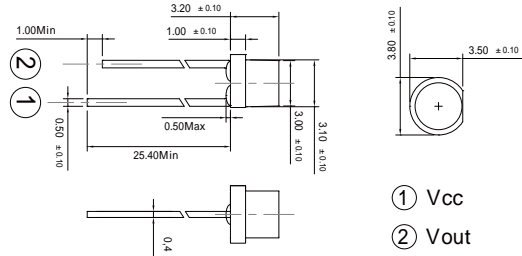


Product	Size (mm)	Supply Voltage (V)	Sensitivity λ_p (nm)	Range λ (nm)	Light current (μA) $E_v=100\text{lux}$	I_D _Max (μA)	Rise / Fall Time (μs)
ALS-PT243-3C/L177	5	2.5-5.5	630	390-700	min. 7 μA	0.1	110 / 220

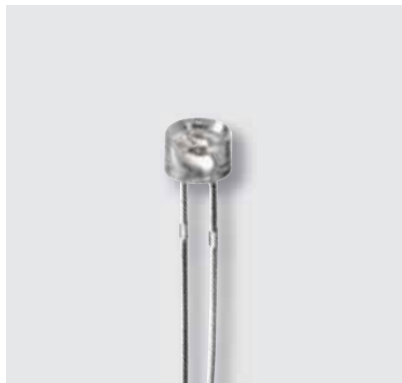
Optical Sensors | Ambient Light Sensor | Analog



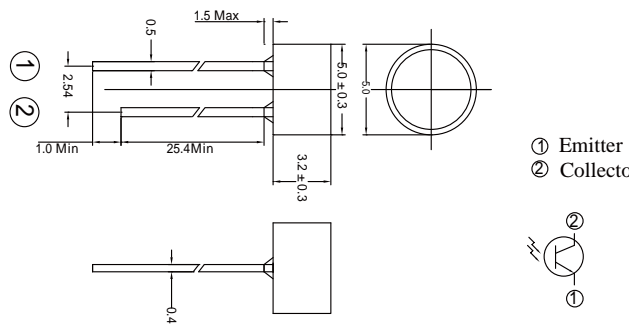
UNIT : mm



Product	Size (mm)	Supply Voltage (V)	Sensitivity λ _P (nm)	Range λ (nm)	Light current (uA) Ev=100lux	I _{D_Max} (μA)	Rise / Fall Time (μs)
ALS-PDIC144-6C/L378	3	1.8-5.5	550	390-700	22-44	0.1	360 / 1130



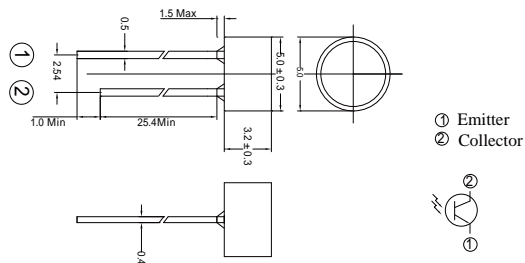
UNIT : mm



Product	Size (mm)	Supply Voltage (V)	Sensitivity λ _P (nm)	Range λ (nm)	Light current (uA) Ev=100lux	I _{D_Max} (μA)	Rise / Fall Time (μs)
ALS-PDIC243-3C	5	1.8-5.5	560	390-700	24-48	0.1	360 / 1130

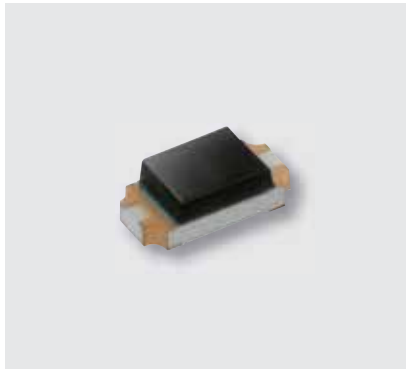


UNIT : mm

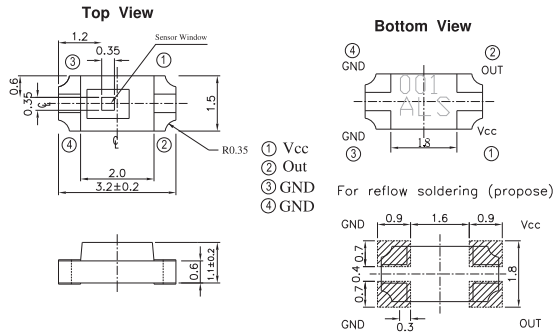


Product	Size (mm)	Supply Voltage (V)	Sensitivity λ _P (nm)	Range λ (nm)	Light current (uA) Ev=100lux	I _{D_Max} (μA)	Rise / Fall Time (μs)
ALS-PDIC243-3B	5	1.8-5.5	560	390-700	10-35	0.1	360 / 1130
ALS-PDIC243-3B/L525	5	1.8-5.5	560	390-700	5-15	0.1	360 / 1130

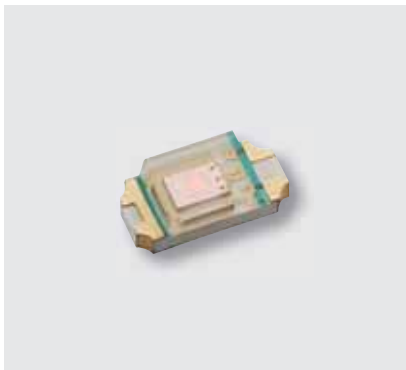
Optical Sensors | Ambient Light Sensor | Analog



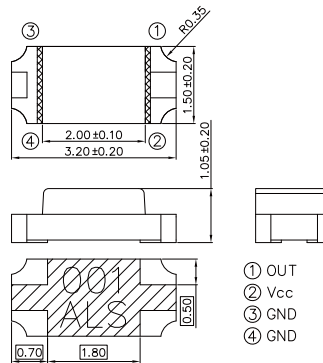
UNIT : mm



Product	Size (LxWxHmm)	Supply Voltage (V)	Sensitivity λ_P (nm)	Range λ (nm)	Light current (uA) $E_v=100\text{lux}$	I_{D_Max} (μA)	Rise / Fall Time (μs)
ALS-PDIC15-21B/TR8	3.2x1.5x1.1	1.8~5.5	550	390~700	5~10	0.1	360 / 1130



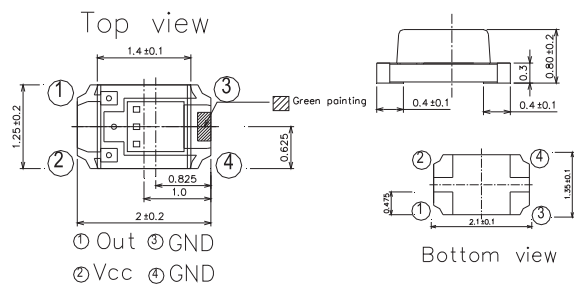
UNIT : mm



Product	Size (LxWxHmm)	Supply Voltage (V)	Sensitivity λ_P (nm)	Range λ (nm)	Light current (uA) $E_v=100\text{lux}$	I_{D_Max} (μA)	Rise / Fall Time (μs)
ALS-PDIC15-21C/L230/TR8	3.2x1.5x1.1	2.5~5.5	590	390~700	36~95	0.1	360 / 1130

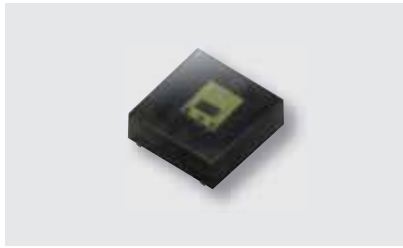


UNIT : mm

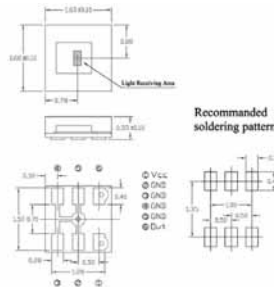


Product	Size (LxWxHmm)	Supply Voltage (V)	Sensitivity λ_P (nm)	Range λ (nm)	Light current (uA) $E_v=100\text{lux}$	I_{D_Max} (μA)	Rise / Fall Time (μs)
ALS-PDIC17-55C/TR8	2x1.25x0.8	1.8~5.5	590	390~700	27~54	0.1	360 / 1130

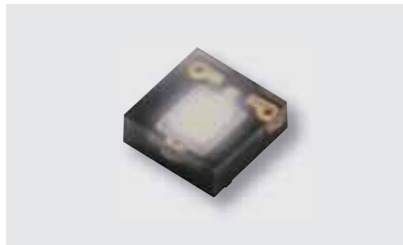
Optical Sensors | Ambient Light Sensor | Analog



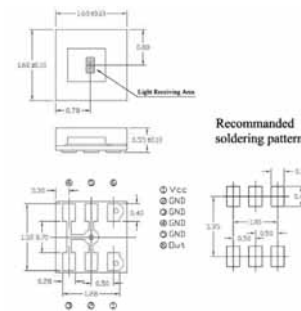
UNIT : mm



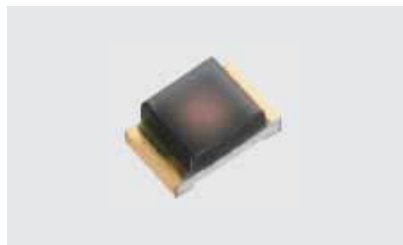
Product	Size (LxWxHmm)	Supply Voltage (V)	Sensitivity λ_P (nm)	Range λ (nm)	Light current (uA) Ev=100lux	I _b _Max (μA)	Rise / Fall Time (μs)
ALS-PDIC17-77B/TR8	1.6x1.6x0.55	1.8~5.5	550	390~700	40~80	0.1	75 / 200



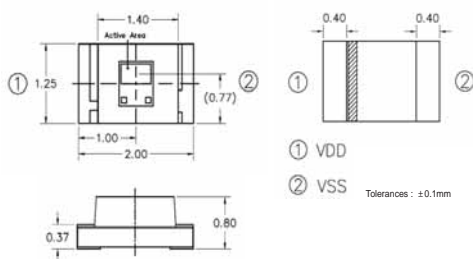
UNIT : mm



Product	Size (LxWxHmm)	Supply Voltage (V)	Sensitivity λ_P (nm)	Range λ (nm)	Light current (uA) Ev=100lux	I _b _Max (μA)	Rise / Fall Time (μs)
ALS-PDIC17-77C/TR8	1.6x1.6x0.55	1.8~5.5	550	390~700	27~54	0.1	360 / 1130



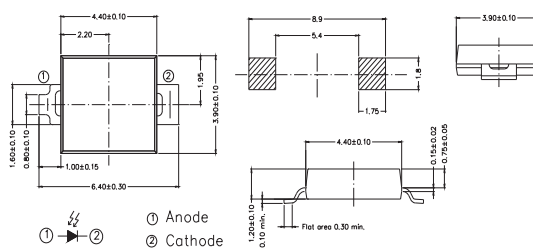
UNIT : mm



Product	Size (LxWxHmm)	Supply Voltage (V)	Sensitivity λ_P (nm)	Range λ (nm)	Light current (uA) Ev=100lux	I _b _Max (μA)	Rise / Fall Time (μs)
ALS-PDIC17-51B/L758/TR8	2.0x1.25x0.8	2 ~ 5.5	570	480~630	43	0.01	9.7 / 12

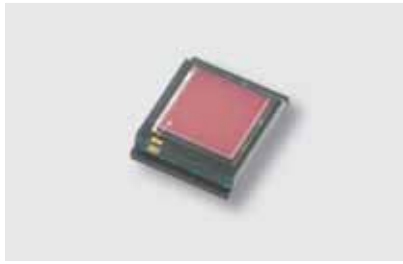


UNIT : mm

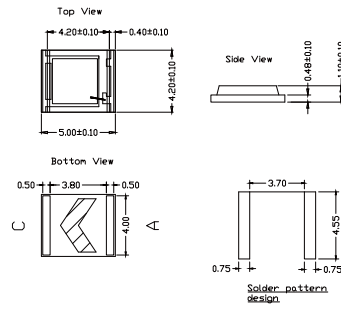


Product	Size (LxWxHmm)	Supply Voltage (V)	Sensitivity λ_P (nm)	Range λ (nm)	Light current (uA) Ev=100lux	I _b _Max (μA)	Rise / Fall Time (μs)
ALS-PD70-01C/TR7	4.4x3.9x1.2	2.5~5.5	630	390~700	1.1	0.01	-- / --
ALS-PD70-01C/L664/TR7	4.4x3.9x1.2	2.5~5.5	540	400~640	0.25	0.01	-- / --

Optical Sensors | Ambient Light Sensor | Analog



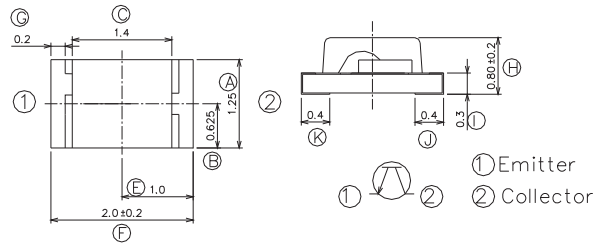
UNIT : mm



Product	Size (LxWxHmm)	Supply Voltage (V)	Sensitivity λ _p (nm)	Range λ (nm)	Light current (uA) Ev=100lux	I _{D_Max} (μA)	Rise / Fall Time (μs)
ALS-PD50-42C/TR8	5.0x4.2x1.1	2.5~5.5	550	400~650	0.8	0.03	-- / --



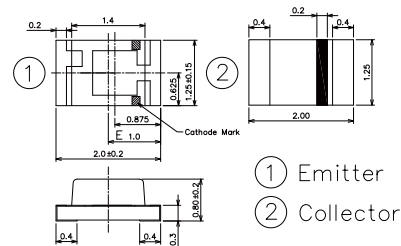
UNIT : mm



Product	Size (LxWxHmm)	Supply Voltage (V)	Sensitivity λ _p (nm)	Range λ (nm)	Light current (uA) Ev=100lux	I _{D_Max} (μA)	Rise / Fall Time (μs)
ALS-PT17-51C/L177/TR8	2.00x1.25x0.80	2.5~5.5	630	390~700	4~11	0.1	110 / 220



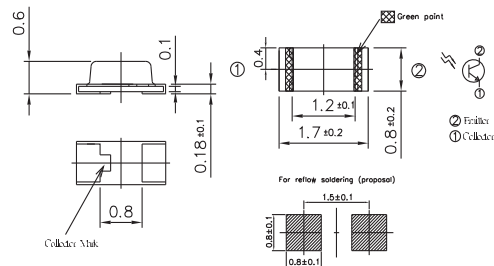
UNIT : mm



Product	Size (LxWxHmm)	Supply Voltage (V)	Sensitivity λ _p (nm)	Range λ (nm)	Light current (uA) Ev=50lux	I _{D_Max} (μA)	Rise / Fall Time (μs)
ALS-PT17-51NB/L369/TR8	2.00x1.25x0.80	1.8~5.5	580	400~700	3.5~7	0.1	130 / 150

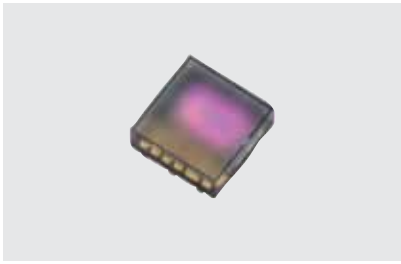


UNIT : mm

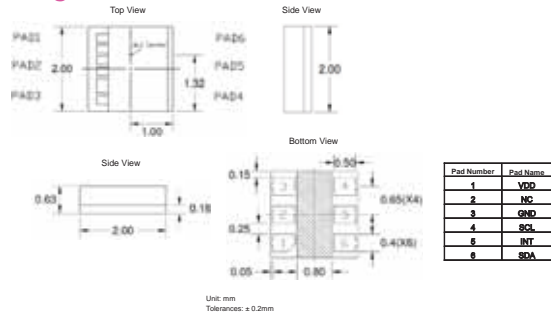


Product	Size (LxWxHmm)	Supply Voltage (V)	Sensitivity λ _p (nm)	Range λ (nm)	Light current (uA) Ev=100lux	I _{D_Max} (μA)	Rise / Fall Time (μs)
ALS-PT19-315C/L177/TR8	1.7x0.8x0.8	2.5~5.5	630	390~700	min. 5uA	0.1	110 / 220

Optical Sensors | Ambient Light Sensor | Digital



UNIT : mm

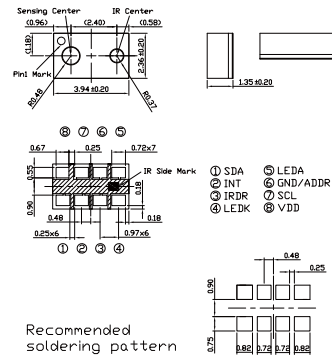


Product	Size (LxWxHmm)	Supply Voltage (V)	Maximum Detection (lux)	Range λ (nm)	Lux Resolution (lux)	ADC Resolution
ALS-DPIC17-78C/L749/TR8	2.00 x 2.00 x 0.63	2.4 ~ 3.6	83,000	550	0.0033	10~16 bit

Optical Sensors | Proximity Sensor | Digital



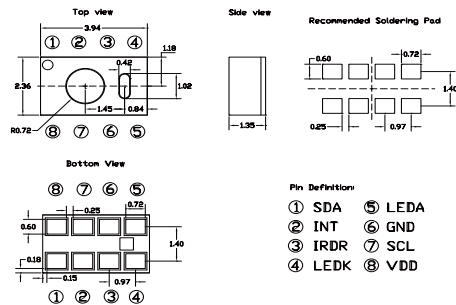
UNIT : mm



Product	Size (LxWxHmm)	Supply Voltage (V)	Supply Current (uA)	Features			
				Function	ADC resolution	Detection range	Emitting wavelength (nm)
PM-8D23-20-DF8/TR8	3.94x2.36x1.35 Pitch: 2.4mm	2.3~3.6V	DD_PS = 85 without I_LED DD_OFF = 0.01	Proximity Sensing IR emitter embedded	8 bit	up to 10 cm	850nm
APM-12D23-20-DF8/TR8	3.94x2.36x1.35 Pitch: 2.4mm	2.3~3.6V	DD_ALS = 80 DD_PS = 90 without I_LED DD_OFF = 0.1	Ambient light sensing Proximity Sensing IR emitter embedded	12 bit 8 bit	0.012~800 lux up to 10 cm	850nm
APM-16D18-00-DF8/TR8	3.94x2.36x1.35 Pitch: 2.4mm	1.7~3.5V	DD_ALS = 130 DD_PS = 175 without I_LED DD_OFF = 0.1	Ambient light sensing Proximity Sensing IR emitter embedded	10~16 bit 16 bit	0.08m~42K lux up to 10 cm	850nm

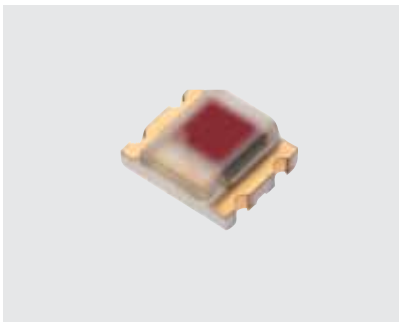


UNIT : mm

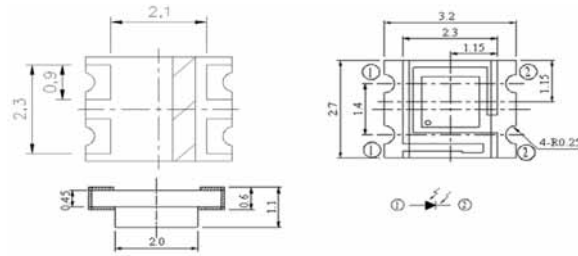


Product	Size (LxWxHmm)	Supply Voltage (V)	Supply Current (uA)	Features			
				Function	ADC resolution	Detection range	Emitting wavelength (nm)
APM-16D24-310-DF8/TR8	3.94x2.36x1.35 Pitch: 1.45mm	2.4~3.6	DD_ON = 260 DD_OFF = 2.5	Ambient light sensing Proximity sensing IR emitter embedded	10 ~ 16 bit 8 ~ 12 bit	2.3m~57K lux up to 10 cm	850nm

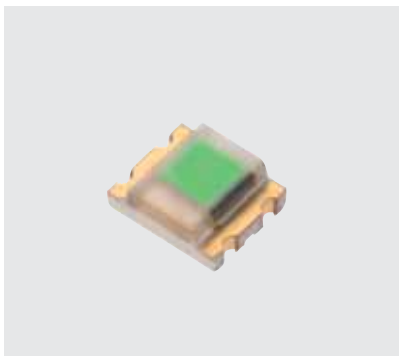
Optical Sensors | RGB Color Sensor | Single Color Sensor | Analog



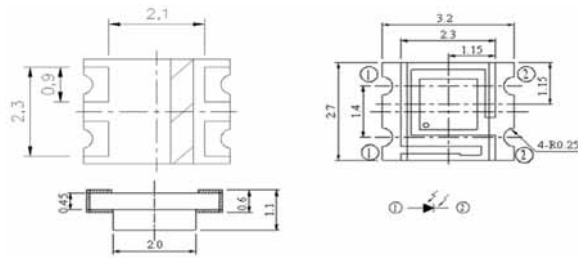
UNIT : mm



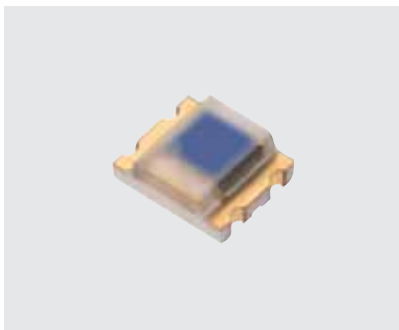
Product	Size (LxWxHmm)	Sensitivity λ_p (nm)	V_F (V)	Revers light current (Ee=100lux) / $IL^{(1)}$ (μA)	Revers light current (Ee=1000lux) $IL^{(2)}$ (μA)
CLS15-22C/L213R/TR8	3.2x2.7x1.1	620	0.5~1.3	0.091	0.83



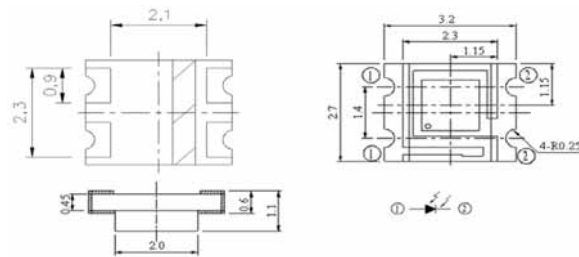
UNIT : mm



Product	Size (LxWxHmm)	Sensitivity λ_p (nm)	V_F (V)	Revers light current (Ee=100lux) / $IL^{(1)}$ (μA)	Revers light current (Ee=1000lux) $IL^{(2)}$ (μA)
CLS15-22C/L213G/TR8	3.2x2.7x1.1	550	0.5~1.3	0.082	0.72



UNIT : mm

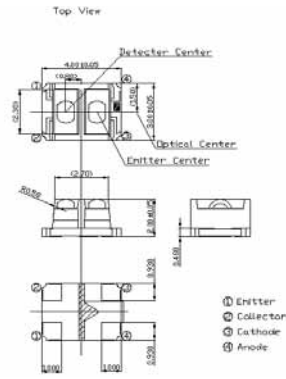


Product	Size (LxWxHmm)	Sensitivity λ_p (nm)	V_F (V)	Revers light current (Ee=100lux) / $IL^{(1)}$ (μA)	Revers light current (Ee=1000lux) $IL^{(2)}$ (μA)
CLS15-22C/L213B/TR8	3.2x2.7x1.1	470	0.5~1.3	0.046	0.39

Optical Sensors | Reflective Sensor



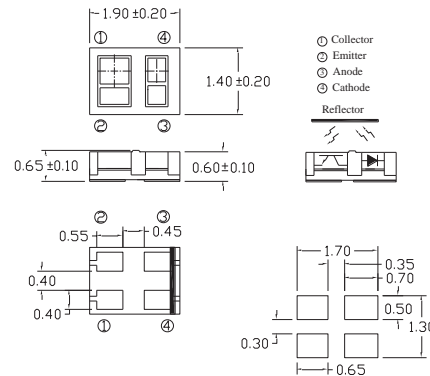
UNIT : mm



Product	Size (LxWxHmm)	V _{F_Typ} (V)	V _{F_Max} (V)	V _{CE(SAT)_Max} (V)	I _{C(ON)_Min} (mA)	I _{CEO_Max.} (nA)
ITR1502SR40A/TR8	4x3x2	1.2	1.4	--	0.06	100



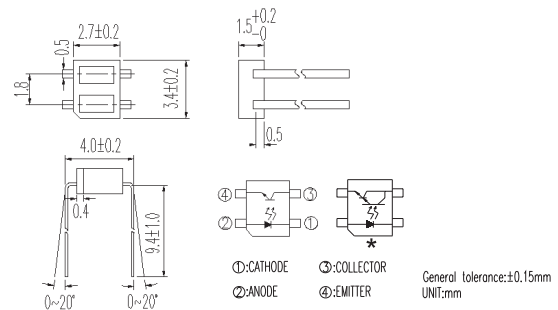
UNIT : mm



Product	Size (LxWxHmm)	V _{F_Typ} (V)	V _{F_Max} (V)	V _{CE(SAT)_Max} (V)	I _{C(ON)_Min} (mA)	I _{CEO_Max.} (nA)
ITR1504SR10A/TR	1.9x1.4x0.65	1.25	1.5	0.4	0.13	1000



UNIT : mm



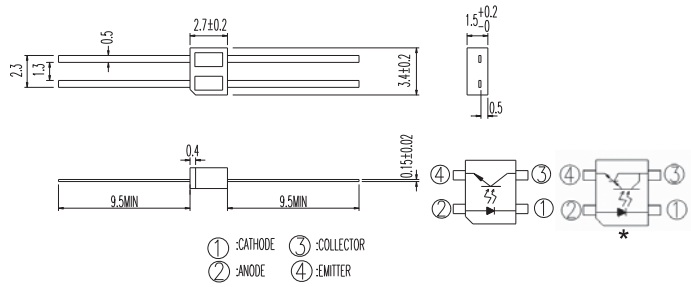
Product	Size (LxWxHmm)	V _{F_Typ} (V)	V _{F_Max} (V)	V _{CE(SAT)_Max} (V)	I _{C(ON)_Min} (mA)	I _{CEO_Max.} (nA)
ITR8307/F43	3.4x2.7x1.5	1.2	1.6	0.4	0.1	100
*ITR8307/L24/F43	3.4x2.7x1.5	1.2	1.4	--	0.5	1000

Star mark * : Please refer to the schematic of Pin configuration with " * " mark.

Optical Sensors | Reflective Sensor



UNIT : mm

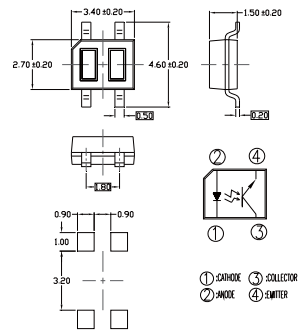


Product	Size (LxWxHmm)	V _{F_Typ} (V)	V _{F_Max} (V)	V _{CE(SAT)_Max} (V)	I _{C(ON)_Min} (mA)	I _{CEO_Max.} (nA)
ITR8307	3.4x2.7x1.5	1.2	1.6	0.4	0.1	100
*ITR8307/L24	3.4x2.7x1.5	1.2	1.4	--	0.5	1000

Star mark * : Please refer to the schematic of Pin configuration with " * " mark.



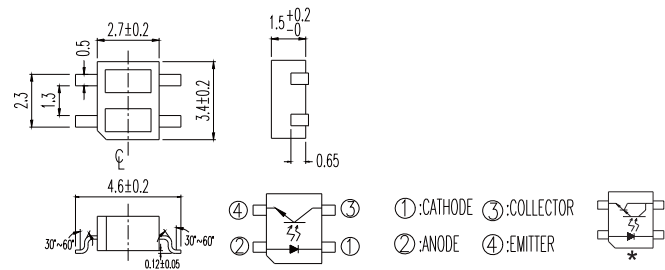
UNIT : mm



Product	Size (LxWxHmm)	V _{F_Typ} (V)	V _{F_Max} (V)	V _{CE(SAT)_Max} (V)	I _{C(ON)_Min} (mA)	I _{CEO_Max.} (nA)
ITR1201SR10AR/TR	3.4x2.7x1.5	1.2	1.4	--	0.1	100



UNIT : mm



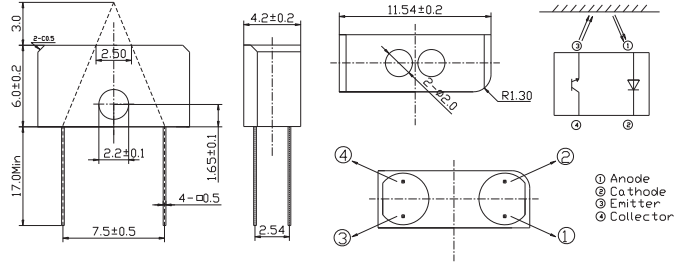
Product	Size (LxWxHmm)	V _{F_Typ} (V)	V _{F_Max} (V)	V _{CE(SAT)_Max} (V)	I _{C(ON)_Min} (mA)	I _{CEO_Max.} (nA)
*ITR8307/L24/TR8	3.4x2.7x1.5	1.2	1.4	--	0.5	1000
ITR8307/TR8	3.4x2.7x1.5	1.2	1.6	0.4	0.1	100

Star mark * : Please refer to the schematic of Pin configuration with " * " mark.

Optical Sensors | Reflective Sensor



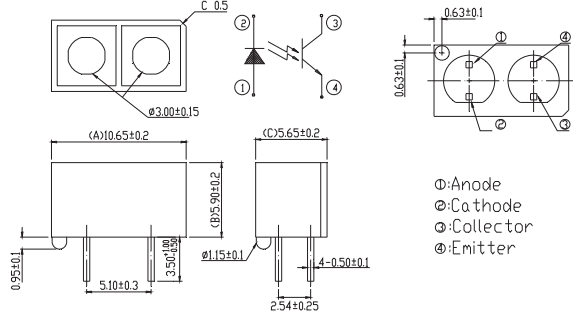
UNIT : mm



Product	Size (LxWxHmm)	V _{F_Typ} (V)	V _{F_Max} (V)	V _{CE(SAT)_Max} (V)	I _{C(ON)_Min} (mA)	I _{CEO_Max.} (nA)
ITR9904	11.54x4.2x6	1.2	1.5	0.4	0.1	100



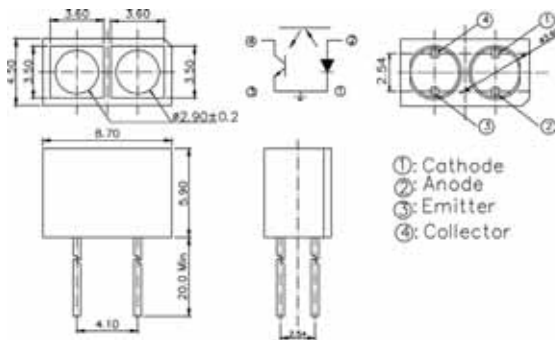
UNIT : mm



Product	Size (LxWxHmm)	V _{F_Typ} (V)	V _{F_Max} (V)	V _{CE(SAT)_Max} (V)	I _{C(ON)_Min} (mA)	I _{CEO_Max.} (nA)
ITR9908	10.65x5.65x5.9	1.2	1.5	0.4	0.5	100



UNIT : mm



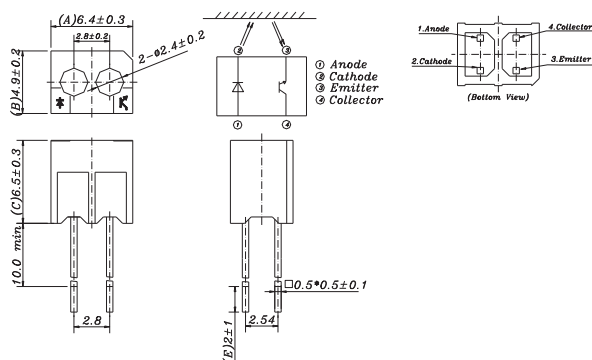
Product	Size (LxWxHmm)	V _{F_Typ} (V)	V _{F_Max} (V)	V _{CE(SAT)_Max} (V)	I _{C(ON)_Min} (mA)	I _{CEO_Max.} (nA)
ITR9909	8.7x4.5x5.9	1.2	1.5	0.4	0.2	100

Optical Sensors

Optical Sensors | Reflective Sensor



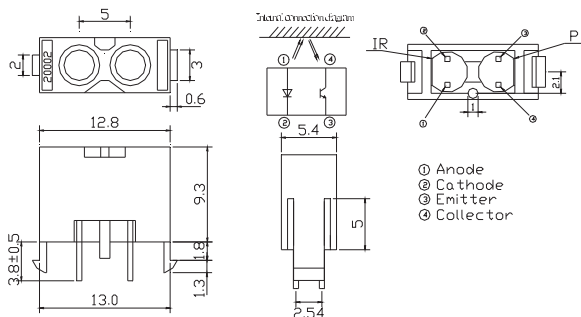
UNIT : mm



Product	Size (LxWxHmm)	V _{F_Typ} (V)	V _{F_Max} (V)	V _{CE(SAT)_Max} (V)	I _{C(ON)_Min} (mA)	I _{CEO_Max.} (nA)
ITR20001/T	6.4x4.9x6.5	1.2	1.5	0.4	0.2	100



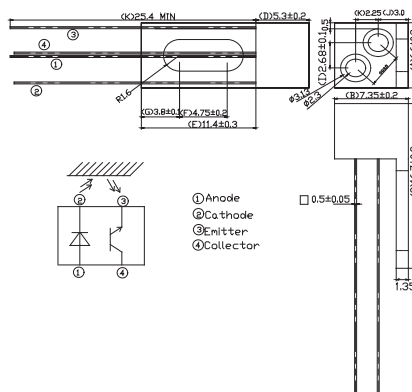
UNIT : mm



Product	Size (LxWxHmm)	V _{F_Typ} (V)	V _{F_Max} (V)	V _{CE(SAT)_Max} (V)	I _{C(ON)_Min} (mA)	I _{CEO_Max.} (nA)
ITR20002	12.8x5.4x9.3	1.2	1.5	0.4	0.04	100



UNIT : mm

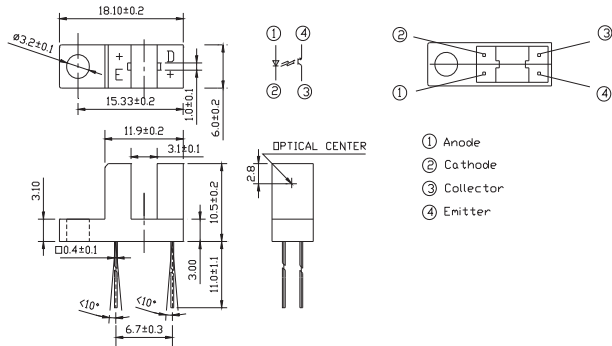


Product	Size (LxWxHmm)	V _{F_Typ} (V)	V _{F_Max} (V)	V _{CE(SAT)_Max} (V)	I _{C(ON)_Min} (mA)	I _{CEO_Max.} (nA)
ITR20501	7.35x6.6x5.3	1.2	1.5	0.4	0.02	100

Optical Sensors | Transmissive Sensor



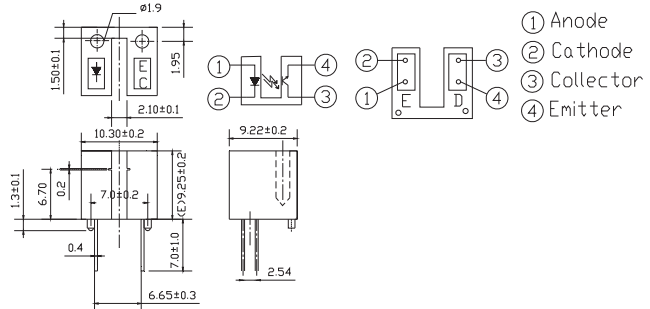
UNIT : mm



Product	Size (LxWxHmm)	V _{F_Typ} (V)	V _{F_Max} (V)	V _{CE(SAT)_Max} (V)	I _{C(ON)_Min} (mA)	I _{CEO_Max.} (nA)	Gap Distance (mm)
ITR8104	18.1x6x10.5	1.2	1.5	0.4	0.9	100	3.1



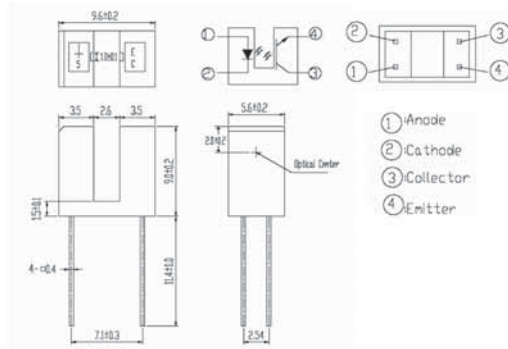
UNIT : mm



Product	Size (LxWxHmm)	V _{F_Typ} (V)	V _{F_Max} (V)	V _{CE(SAT)_Max} (V)	I _{C(ON)_Min} (mA)	I _{CEO_Max.} (nA)	Gap Distance (mm)
ITR8010	10.3x9.22x9.25	1.2	1.6	0.4	0.5	100	2.1

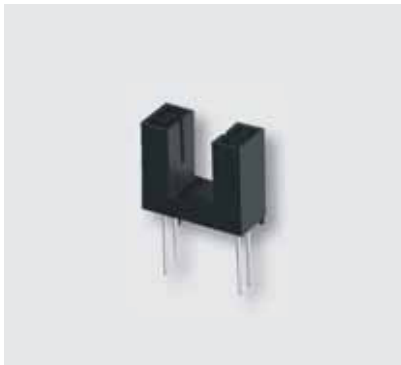


UNIT : mm

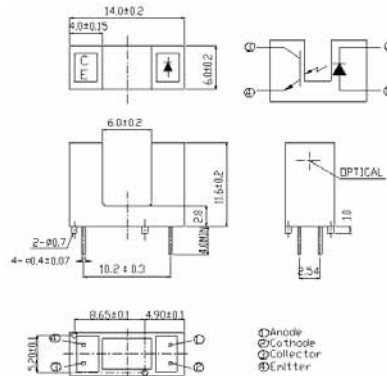


Product	Size (LxWxHmm)	V _{F_Typ} (V)	V _{F_Max} (V)	V _{CE(SAT)_Max} (V)	I _{C(ON)_Min} (mA)	I _{CEO_Max.} (nA)	Gap Distance (mm)
ITR8105	9.6x5.6x9	1.2	1.6	0.4	0.9	100	2.6

Optical Sensors | Transmissive Sensor



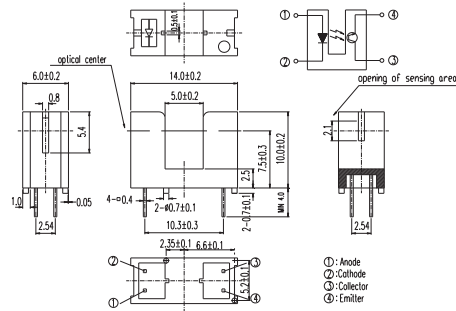
UNIT : mm



Product	Size (LxWxHmm)	V _{F_Typ} (V)	V _{F_Max} (V)	V _{CE(SAT)_Max} (V)	I _{C(ON)_Min} (mA)	I _{CEO_Max.} (nA)	Gap Distance (mm)
ITR8402-F-A	14.0x6x11.6	1.2	1.5	0.4	0.5	100	6



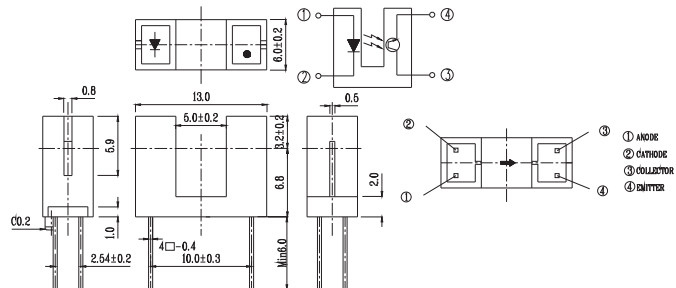
UNIT : mm



Product	Size (LxWxHmm)	V _{F_Typ} (V)	V _{F_Max} (V)	V _{CE(SAT)_Max} (V)	I _{C(ON)_Min} (mA)	I _{CEO_Max.} (nA)	Gap Distance (mm)
ITR9606-F	14x6x10	1.2	1.5	0.4	0.5	100	5



UNIT : mm



Product	Size (LxWxHmm)	V _{F_Typ} (V)	V _{F_Max} (V)	V _{CE(SAT)_Max} (V)	I _{C(ON)_Min} (mA)	I _{CEO_Max.} (nA)	Gap Distance (mm)
ITR9608-F	13x6x10	1.2	1.5	0.4	0.5	100	5

Optical Sensors

Optical Sensors | Transmissive Sensor



UNIT : mm

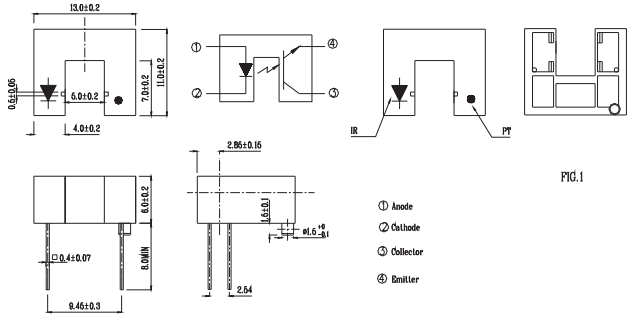
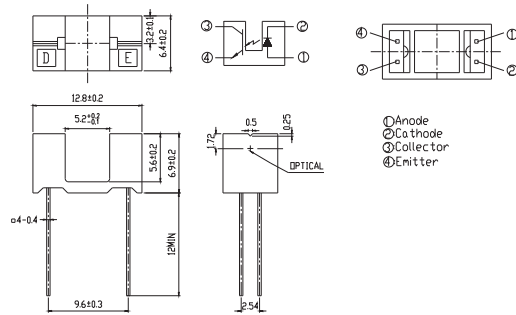


FIG.1

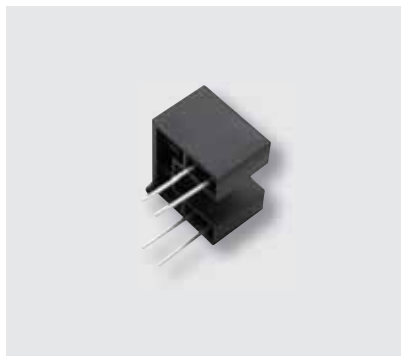
Product	Size (LxWxHmm)	V _{F_Typ} (V)	V _{F_Max} (V)	V _{CE(SAT)_Max} (V)	I _{C(ON)_Min} (mA)	I _{CEO_Max.} (nA)	Gap Distance (mm)
ITR9702-F	13x11x6	1.2	1.5	0.4	0.5	100	5



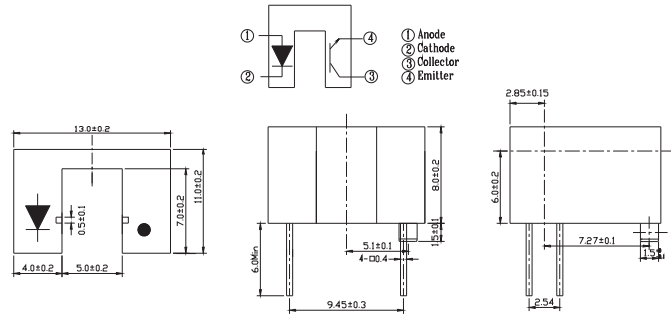
UNIT : mm



Product	Size (LxWxHmm)	V _{F_Typ} (V)	V _{F_Max} (V)	V _{CE(SAT)_Max} (V)	I _{C(ON)_Min} (mA)	I _{CEO_Max.} (nA)	Gap Distance (mm)
ITR9707	12.8x6.4x6.9	1.2	1.5	0.4	0.5	100	5.2



UNIT : mm

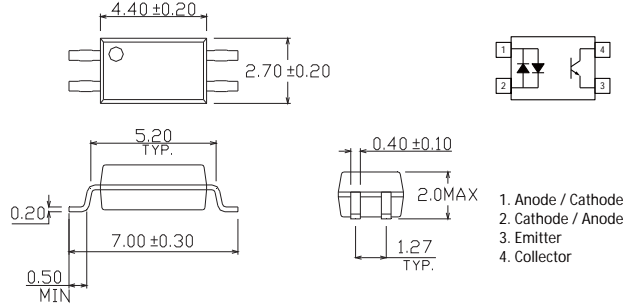


Product	Size (LxWxHmm)	V _{F_Typ} (V)	V _{F_Max} (V)	V _{CE(SAT)_Max} (V)	I _{C(ON)_Min} (mA)	I _{CEO_Max.} (nA)	Gap Distance (mm)
ITR9809-F/T	13x11x8	1.2	1.5	0.4	1	100	5

Photo Coupler | Transistor | 4Pin SSOP-AC



UNIT : mm

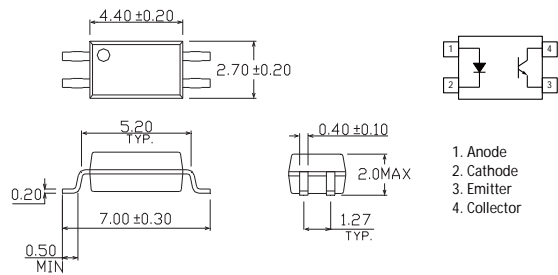


Product	Size (LxWxHmm)	V _{F_Typ} (V)	Rise / Fall Time (µs)	BV _{CEO_Min} (V)	CTR (%)	Viso (V _{rms})	V _{CE(SAT)_Max} (V)
EL3H4-G	4.4x2.7x2	1.2	6 / 8	80	20~300	3750	0.2

Photo Coupler | Transistor | 4Pin SSOP-DC



UNIT : mm

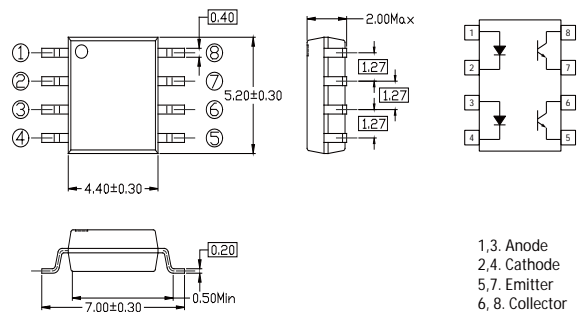


Product	Size (LxWxHmm)	V _{F_Typ} (V)	Rise / Fall Time (µs)	BV _{CEO_Min} (V)	CTR (%)	Viso (V _{rms})	V _{CE(SAT)_Max} (V)
EL3H7-G	4.4x2.7x2	1.2	5 / 3	80	50~600	3750	0.2

Photo Coupler | Transistor | 8Pin SSOP-DC



UNIT : mm

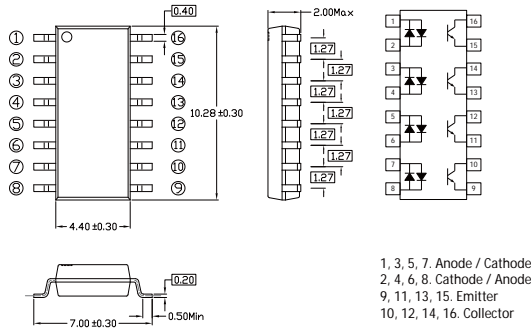


Product	Size (LxWxHmm)	V _{F_Typ} (V)	Rise / Fall Time (µs)	BV _{CEO_Min} (V)	CTR (%)	Viso (V _{rms})	V _{CE(SAT)_Max} (V)
ELD3H7	5.2x4.4x2	1.2	5 / 3	80	50~600	3750	0.2

Photo Coupler | Transistor | 16Pin SSOP-AC



UNIT : mm



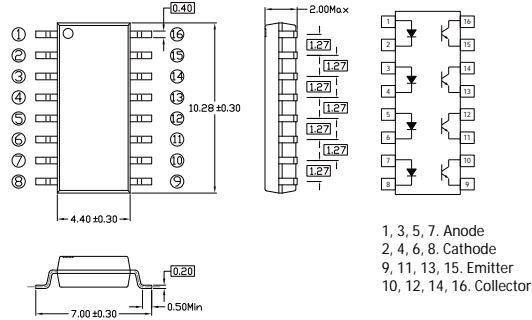
- 1, 3, 5, 7. Anode / Cathode
- 2, 4, 6, 8. Cathode / Anode
- 9, 11, 13, 15. Emitter
- 10, 12, 14, 16. Collector

Product	Size (LxWxHmm)	V _{F_Typ} (V)	Rise / Fall Time (μs)	BV _{CEO_Min} (V)	CTR (%)	Viso (V _{rms})	V _{CE(SAT)_Max} (V)
ELQ3H4	10.28x4.4x2	1.2	5 / 3	80	20~300	3750	0.2

Photo Coupler | Transistor | 16Pin SSOP-DC



UNIT : mm



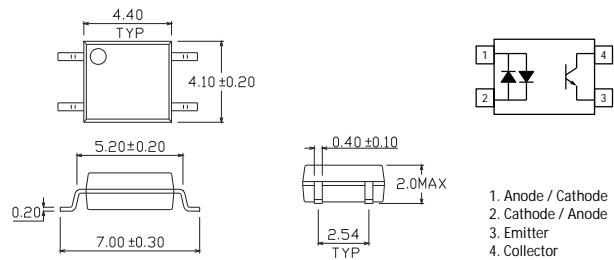
- 1, 3, 5, 7. Anode
- 2, 4, 6, 8. Cathode
- 9, 11, 13, 15. Emitter
- 10, 12, 14, 16. Collector

Product	Size (LxWxHmm)	V _{F_Typ} (V)	Rise / Fall Time (μs)	BV _{CEO_Min} (V)	CTR (%)	Viso (V _{rms})	V _{CE(SAT)_Max} (V)
ELQ3H7	10.28x4.4x2	1.2	5 / 3	80	50~600	3750	0.2

Photo Coupler | Transistor | 4Pin SOP-AC



UNIT : mm



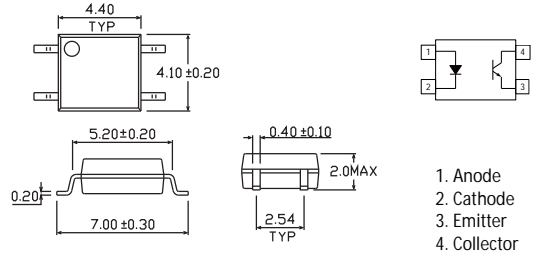
- 1. Anode / Cathode
- 2. Cathode / Anode
- 3. Emitter
- 4. Collector

Product	Size (LxWxHmm)	V _{F_Typ} (V)	Rise / Fall Time (μs)	BV _{CEO_Min} (V)	CTR (%)	Viso (V _{rms})	V _{CE(SAT)_Max} (V)
EL354N-G	4.4x4.1x2	1.2	6 / 8	80	20~300	3750	0.2

Photo Coupler | Transistor | 4Pin SOP-DC



UNIT : mm

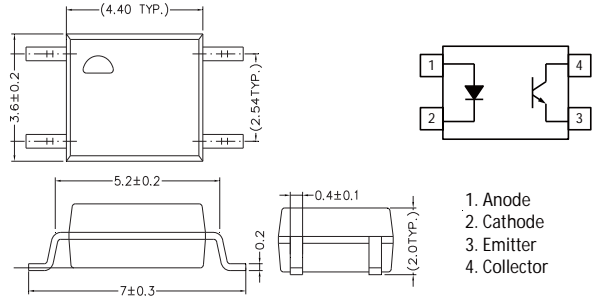


1. Anode
2. Cathode
3. Emitter
4. Collector

Product	Size (LxWxHmm)	V _{F-Typ} (V)	Rise / Fall Time (μs)	BV _{CEO-Min} (V)	CTR (%)	Viso (V _{rms})	V _{CE(SAT)-Max} (V)
EL357N-G	4.4x4.1x2	1.2	3 / 4	80	50~600	3750	0.2



UNIT : mm



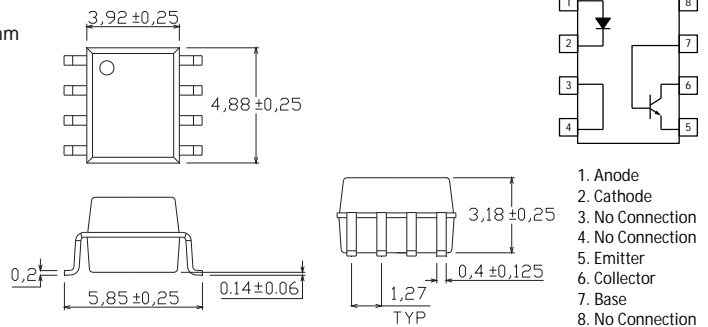
1. Anode
2. Cathode
3. Emitter
4. Collector

Product	Size (LxWxHmm)	V _{F-Typ} (V)	Rise / Fall Time (μs)	BV _{CEO-Min} (V)	CTR (%)	Viso (V _{rms})	V _{CE(SAT)-Max} (V)
EL121N	4.4x3.6x2	1.2	3 / 4	80	50~600	3750	0.2

Photo Coupler | Transistor | 8Pin SOP-DC



UNIT : mm



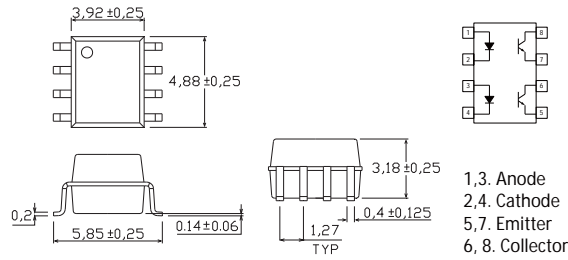
1. Anode
2. Cathode
3. No Connection
4. No Connection
5. Emitter
6. Collector
7. Base
8. No Connection

Product	Size (LxWxHmm)	V _{F-Typ} (V)	Rise / Fall Time (μs)	BV _{CEO-Min} (V)	CTR (%)	Viso (V _{rms})	V _{CE(SAT)-Max} (V)
EL205	4.88x3.92x3.18	1.3	1.6 / 2.2	80	40~80	3750	0.4
EL206	4.88x3.92x3.18	1.3	1.6 / 2.2	80	63~125	3750	0.4
EL207	4.88x3.92x3.18	1.3	1.6 / 2.2	80	100~200	3750	0.4
EL208	4.88x3.92x3.18	1.3	1.6 / 2.2	80	160~320	3750	0.4
EL211	4.88x3.92x3.18	1.3	1.6 / 2.2	80	20 min.	3750	0.4
EL212	4.88x3.92x3.18	1.3	1.6 / 2.2	80	50 min.	3750	0.4
EL213	4.88x3.92x3.18	1.3	1.6 / 2.2	80	100 min.	3750	0.4
EL215	4.88x3.92x3.18	1.3	1.6 / 2.2	80	10 min.	3750	0.4
EL216	4.88x3.92x3.18	1.3	1.6 / 2.2	80	50 min.	3750	0.4
EL217	4.88x3.92x3.18	1.3	1.6 / 2.2	80	100 min.	3750	0.4

Photo Coupler | Transistor | 8Pin SOP-DC



UNIT : mm

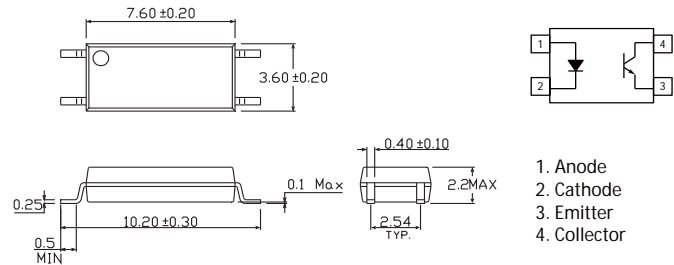


Product	Size (LxWxHmm)	V _F _Typ (V)	Rise / Fall Time (μs)	BV _{CEO} _Min (V)	CTR (%)	Viso (V _{rms})	V _{CE(SAT)} _Max (V)
ELD205	4.88x3.92x3.18	1.2	1.6 / 2.2	80	40~80	3750	0.4
ELD206	4.88x3.92x3.18	1.2	1.6 / 2.2	80	63~125	3750	0.4
ELD207	4.88x3.92x3.18	1.2	1.6 / 2.2	80	100~200	3750	0.4
ELD211	4.88x3.92x3.18	1.2	1.6 / 2.2	80	20 min.	3750	0.4
ELD213	4.88x3.92x3.18	1.2	1.6 / 2.2	80	100 min.	3750	0.4
ELD217	4.88x3.92x3.18	1.2	1.6 / 2.2	80	100 min.	3750	0.4

Photo Coupler | Transistor | 4Pin LSOP-DC



UNIT : mm



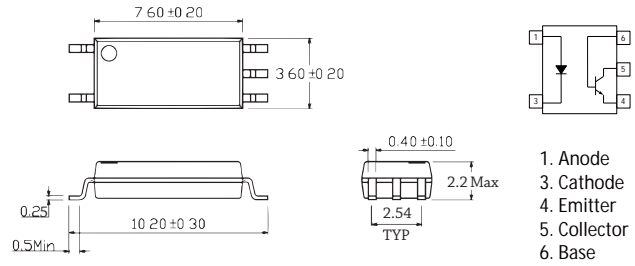
Product	Size (LxWxHmm)	V _F _Typ (V)	Rise / Fall Time (μs)	BV _{CEO} _Min (V)	CTR (%)	Viso (V _{rms})	V _{CE(SAT)} _Max (V)
EL1010-G	7.6x3.6x2.2	1.45	2 / 3	80	50~600	5000	0.3
EL1012-G	7.6x3.6x2.2	1.45	2 / 3	80	63~125	5000	0.3
EL1013-G	7.6x3.6x2.2	1.45	2 / 3	80	100~200	5000	0.3
EL1014-G	7.6x3.6x2.2	1.45	2 / 3	80	160~320	5000	0.3
EL1017-G	7.6x3.6x2.2	1.45	2 / 3	80	80~160	5000	0.3
EL1018-G	7.6x3.6x2.2	1.45	2 / 3	80	130~260	5000	0.3
EL1019-G	7.6x3.6x2.2	1.45	2 / 3	80	200~400	5000	0.3

Photo Coupler

Photo Coupler | Transistor | 5Pin LSOP-DC



UNIT : mm



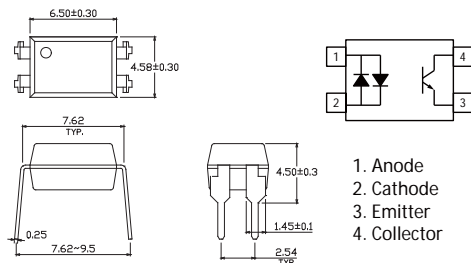
Product	Size (LxWxHmm)	V _F _Typ (V)	Rise / Fall Time (μs)	BV _{CEO} _Min (V)	CTR (%)	Viso (V _{rms})	V _{CE(SAT)} _Max (V)
EL1110-G	7.6x3.6x2.2	1.45	2 / 3	80	50~600	5000	0.4
EL1112-G	7.6x3.6x2.2	1.45	2 / 3	80	63~125	5000	0.4
EL1113-G	7.6x3.6x2.2	1.45	2 / 3	80	100~200	5000	0.4
EL1114-G	7.6x3.6x2.2	1.45	2 / 3	80	160~320	5000	0.4
EL1116-G	7.6x3.6x2.2	1.45	2 / 3	80	100~300	5000	0.4
EL1117-G	7.6x3.6x2.2	1.45	2 / 3	80	80~160	5000	0.4
EL1118-G	7.6x3.6x2.2	1.45	2 / 3	80	130~260	5000	0.4
EL1119-G	7.6x3.6x2.2	1.45	2 / 3	80	200~400	5000	0.4

Photo Coupler

Photo Coupler | Transistor | 4Pin DIP-AC



UNIT : mm

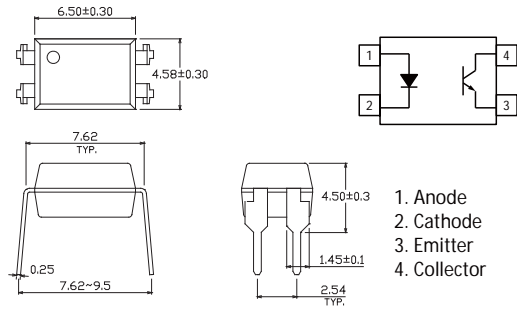


Product	Size (LxWxHmm)	V _F _Typ (V)	Rise / Fall Time (μs)	BV _{CEO} _Min (V)	CTR (%)	Viso (V _{rms})	V _{CE(SAT)} _Max (V)
EL814	6.5x4.58x3.5	1.2	7 / 11	80	20~300	5000	0.2

Photo Coupler | Transistor | 4Pin DIP-DC



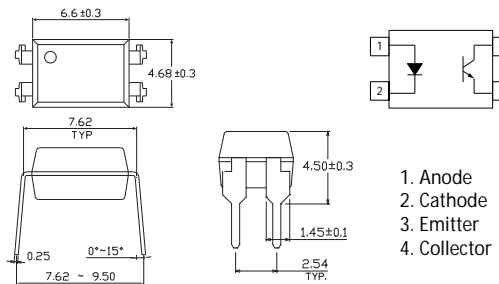
UNIT : mm



Product	Size (LxWxHmm)	V _{F_Typ} (V)	Rise / Fall Time (μs)	BV _{CEO_Min} (V)	CTR (%)	Viso (V _{rms})	V _{CE(SAT)_Max} (V)
EL816	6.5x4.58x3.5	1.2	4 / 3	80	50~600	5000	0.2
EL817	6.5x4.58x3.5	1.2	4 / 3	35	50~600	5000	0.2
EL817-G	6.5x4.58x3.5	1.2	6 / 8	80	50~600	5000	0.2
EL851	6.5x4.58x3.5	1.2	4 / 5	350	50~600	5000	0.4



UNIT : mm



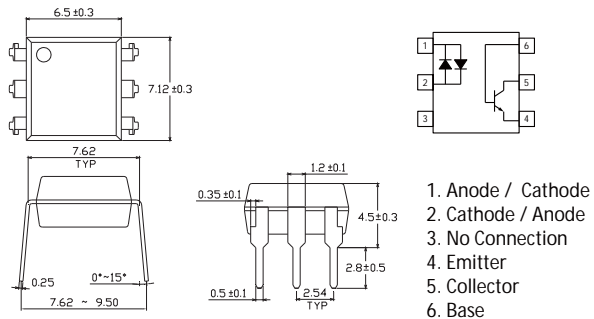
Product	Size (LxWxHmm)	V _{F_Typ} (V)	Rise / Fall Time (μs)	BV _{CEO_Min} (V)	CTR (%)	Viso (V _{rms})	V _{CE(SAT)_Max} (V)
EL617	6.6x4.68x3.5	1.2	4 / 3	80	50~600	5000	0.2

Photo Coupler

Photo Coupler | Transistor | 6Pin DIP-AC



UNIT : mm

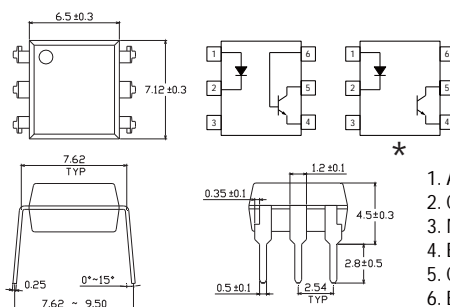


Product	Size (LxWxHmm)	V _{F_Typ} (V)	Rise / Fall Time (μs)	BV _{CEO_Min} (V)	CTR (%)	Viso (V _{rms})	V _{CE(SAT)_Max} (V)
H11AA1	7.12x6.5x3.5	1.2	10 / 10	80	20 min.	5000	0.4
H11AA2	7.12x6.5x3.5	1.2	10 / 10	80	10 min.	5000	0.4
H11AA3	7.12x6.5x3.5	1.2	10 / 10	80	50 min.	5000	0.4
H11AA4	7.12x6.5x3.5	1.2	10 / 10	80	100 min.	5000	0.4

Photo Coupler | Transistor | 6Pin DIP-DC



UNIT : mm



- 1. Anode
- 2. Cathode
- 3. No Connection
- 4. Emitter
- 5. Collector
- 6. Base

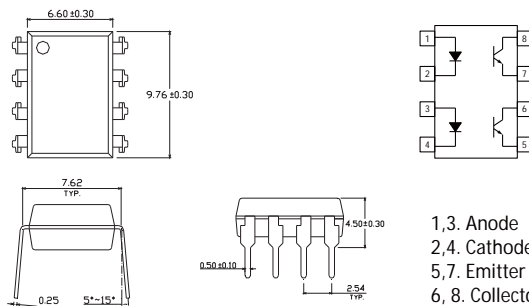
Product	Size (LxWxHmm)	V _{F-Typ} (V)	Rise / Fall Time (μs)	BV _{CEO} Min (V)	CTR (%)	Viso (V _{rms})	V _{CE(SAT)} Max (V)
4N25	7.12x6.5x3.5	1.2	3 / 3	80	20 min.	5000	0.5
4N26	7.12x6.5x3.5	1.2	3 / 3	80	20 min.	5000	0.5
4N27	7.12x6.5x3.5	1.2	3 / 3	80	10 min.	5000	0.5
4N28	7.12x6.5x3.5	1.2	3 / 3	80	10 min.	5000	0.5
4N35	7.12x6.5x3.5	1.2	10 / 9	80	100 min.	5000	0.3
4N36	7.12x6.5x3.5	1.2	10 / 9	80	100 min.	5000	0.3
4N37	7.12x6.5x3.5	1.2	10 / 9	80	100 min.	5000	0.3
4N38	7.12x6.5x3.5	1.2	10 / 9	80	20 min.	5000	1
CNY17-1	7.12x6.5x3.5	--	6 / 8	80	40~80	5000	0.3
CNY17-2	7.12x6.5x3.5	--	6 / 8	80	63~125	5000	0.3
CNY17-3	7.12x6.5x3.5	--	6 / 8	80	100~200	5000	0.3
CNY17-4	7.12x6.5x3.5	--	6 / 8	80	160~320	5000	0.3
*CNY17F-1	7.12x6.5x3.5	--	6 / 8	80	40~80	5000	0.3
*CNY17F-2	7.12x6.5x3.5	--	6 / 8	80	63~125	5000	0.3
*CNY17F-3	7.12x6.5x3.5	--	6 / 8	80	100~200	5000	0.3
*CNY17F-4	7.12x6.5x3.5	--	6 / 8	80	160~320	5000	0.3
H11A1	7.12x6.5x3.5	1.2	3 / 3	80	50 min.	5000	0.4
H11A2	7.12x6.5x3.5	1.2	3 / 3	80	20 min.	5000	0.4
H11A3	7.12x6.5x3.5	1.2	3 / 3	80	20 min.	5000	0.4
H11A4	7.12x6.5x3.5	1.2	3 / 3	80	10 min.	5000	0.4
H11A5	7.12x6.5x3.5	1.2	3 / 3	80	30 min.	5000	0.4
MCT2E	7.12x6.5x3.5	1.23	3 / 3	80	20 min.	5000	0.4
TIL111	7.12x6.5x3.5	1.22	6 / 8	80	--	5000	0.4
TIL117	7.12x6.5x3.5	--	6 / 8	80	50 min.	5000	0.4

Star mark * : Please refer to the schematic of Pin configuration with " * " mark

Photo Coupler | Transistor | 8Pin DIP-DC



UNIT : mm



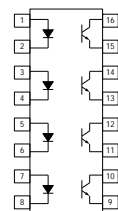
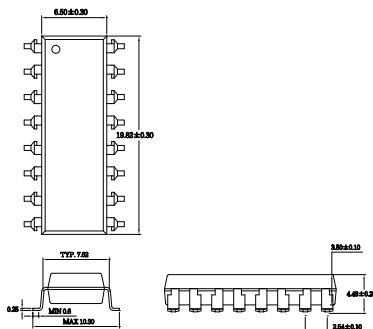
- 1,3. Anode
- 2,4. Cathode
- 5,7. Emitter
- 6, 8. Collector

Product	Size (LxWxHmm)	V _{F-Typ} (V)	Rise / Fall Time (μs)	BV _{CEO} Min (V)	CTR (%)	Viso (V _{rms})	V _{CE(SAT)} Max (V)
EL827	9.76x6.6 x3.5	1.2	3 / 4	80	50~600	5000	0.2

Photo Coupler | Transistor | 16Pin DIP-DC



UNIT : mm



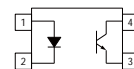
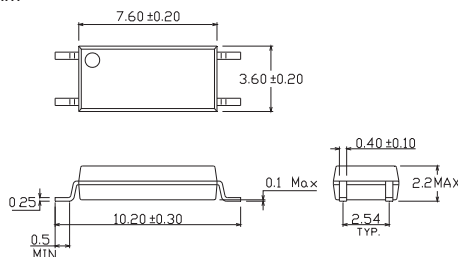
- 1, 3, 5, 7. Anode
- 2, 4, 6, 8. Cathode
- 9, 11, 13, 15. Emitter
- 10, 12, 14, 16. Collector

Product	Size (LxWxHmm)	V _{F_Typ} (V)	Rise / Fall Time (μs)	BV _{CEO_Min} (V)	CTR (%)	Viso (V _{rms})	V _{CE(SAT)_Max} (V)
EL847	19.82x6.5x3.5	1.2	4 / 3	80	50~600	5000	0.2

Photo Coupler | Transistor Low Input Current | 4pin LSOP-DC



UNIT : mm



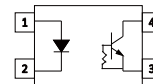
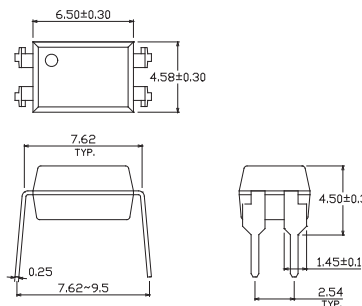
- 1. Anode
- 2. Cathode
- 3. Emitter
- 4. Collector

Product	Size (LxWxHmm)	V _{F_Typ} (V)	Rise / Fall Time (μs)	BV _{CEO_Min} (V)	CTR (%)	Viso (V _{rms})	V _{CE(SAT)_Max} (V)
EL357L	7.6x3.6x2.2	1.45	7 / 8	80	63~300	5000	0.4

Photo Coupler | Transistor Low Input Current | 4pin DIP-DC



UNIT : mm



- 1. Anode
- 2. Cathode
- 3. Emitter
- 4. Collector

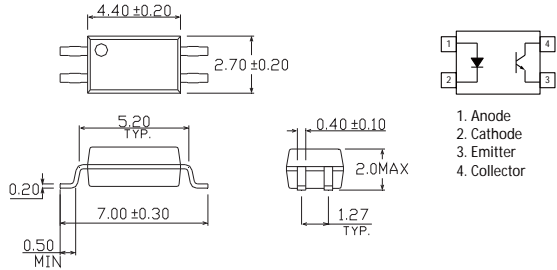
Product	Size (LxWxHmm)	V _{F_Typ} (V)	Rise / Fall Time (μs)	BV _{CEO_Min} (V)	CTR (%)	Viso (V _{rms})	V _{CE(SAT)_Max} (V)
EL8171	6.5x4.58x3.5	1.2	6 / 8	70	100~350	5000	0.2

Photo Coupler

Photo Coupler | Transistor Ultra Low Input Current | 4pin SSOP-DC



UNIT : mm

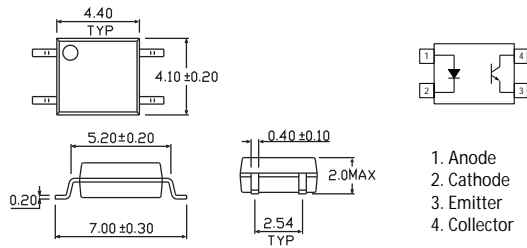


Product	Size (LxWxHmm)	V _{F_Typ} (V)	Rise / Fall Time (μs)	BV _{CEO_Min} (V)	CTR (%)	Viso (V _{rms})	V _{CE(SAT)_Max} (V)
EL3H7L-G	4.4x2.7x2	1.3	8/12	80	50-600	3750	0.3

Photo Coupler | Transistor Ultra Low Input Current | 4pin SOP-DC



UNIT : mm

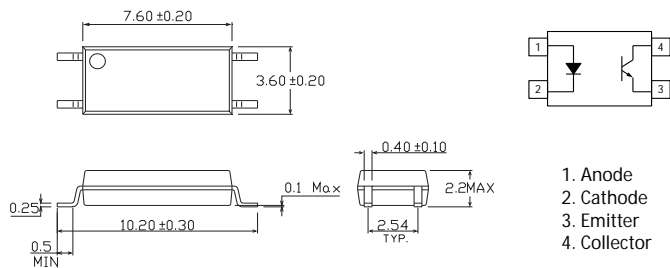


Product	Size (LxWxHmm)	V _{F_Typ} (V)	Rise / Fall Time (μs)	BV _{CEO_Min} (V)	CTR (%)	Viso (V _{rms})	V _{CE(SAT)_Max} (V)
EL357NL-G	4.4x4.1x2	1.3	8/12	80	50-600	3750	0.3

Photo Coupler | Transistor Ultra Low Input Current | 4pin LSOP-DC



UNIT : mm

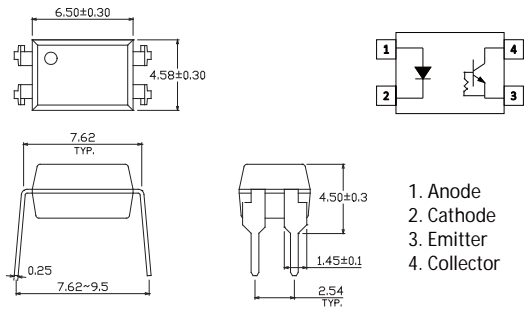


Product	Size (LxWxHmm)	V _{F_Typ} (V)	Rise / Fall Time (μs)	BV _{CEO_Min} (V)	CTR (%)	Viso (V _{rms})	V _{CE(SAT)_Max} (V)
EL101L-G	7.6x3.6x2.2	1.3	8/12	80	50-600	5000	0.3

Photo Coupler | Transistor Ultra Low Input Current | 4pin DIP-DC



UNIT : mm



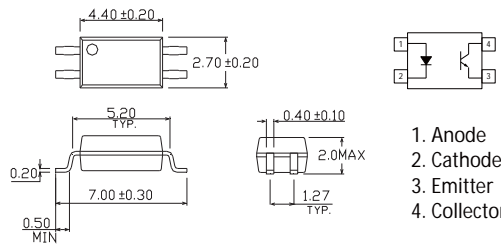
- 1. Anode
- 2. Cathode
- 3. Emitter
- 4. Collector

Product	Size (LxWxHmm)	V _{F_Typ} (V)	Rise / Fall Time (μs)	BV _{CE0_Min} (V)	CTR (%)	Viso (V _{rms})	V _{CE(SAT)_Max} (V)
EL817L-G	6.5x4.58x3.5	1.3	8/12	80	50~600	5000	0.3

Photo Coupler | Transistor High Operating Temperature | 4pin SSOP-DC



UNIT : mm



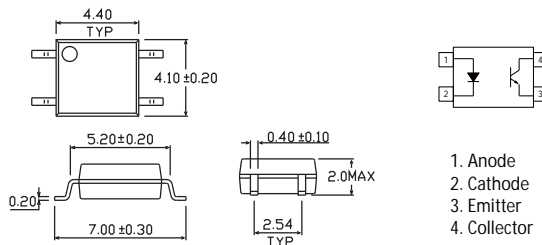
- 1. Anode
- 2. Cathode
- 3. Emitter
- 4. Collector

Product	Size (LxWxHmm)	V _{F_Typ} (V)	Rise / Fall Time (μs)	BV _{Min} (V)	CTR (%)	Viso (V _{rms})	V _{CE(SAT)_Max} (V)
EL3H7H-G	4.4x2.7x2	1.2	6/8	80	50~600	3750	0.3

Photo Coupler | Transistor High Operating Temperature | 4pin SOP-DC



UNIT : mm



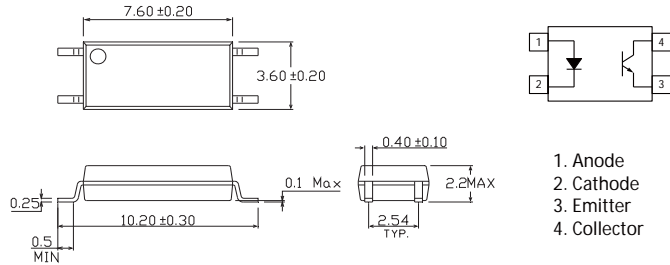
- 1. Anode
- 2. Cathode
- 3. Emitter
- 4. Collector

Product	Size (LxWxHmm)	V _{F_Typ} (V)	Rise / Fall Time (μs)	BV _{Min} (V)	CTR (%)	Viso (V _{rms})	V _{CE(SAT)_Max} (V)
EL357NH-G	4.4x4.1x2	1.2	6/8	80	50~600	3750	0.3

Photo Coupler | Transistor High Operating Temperature | 4pin LSOP-DC



UNIT : mm

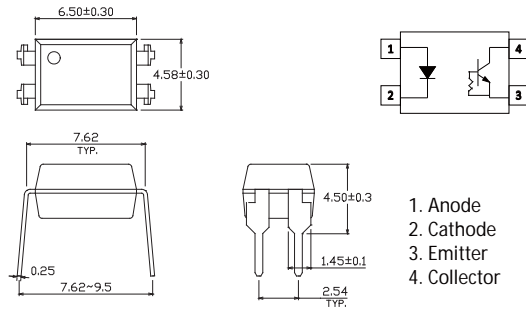


Product	Size (LxWxHmm)	V _{F_Typ} (V)	Rise / Fall Time (μs)	BV _{CEO_Min} (V)	CTR (%)	Viso (V _{rms})	V _{CE(SAT)_Max} (V)
EL1010H-G	7.6x3.6x2.2	1.2	6/8	80	50~600	5000	0.3

Photo Coupler | Transistor High Operating Temperature | 4pin DIP-DC



UNIT : mm

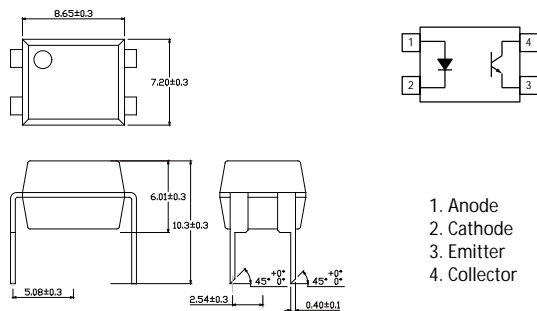


Product	Size (LxWxHmm)	V _{F_Typ} (V)	Rise / Fall Time (μs)	BV _{CEO_Min} (V)	CTR (%)	Viso (V _{rms})	V _{CE(SAT)_Max} (V)
EL817H-G	6.5x4.58x3.5	1.2	6/8	80	50~600	5000	0.3

Photo Coupler | Transistor High Isolation | 4pin DIP-DC



UNIT : mm

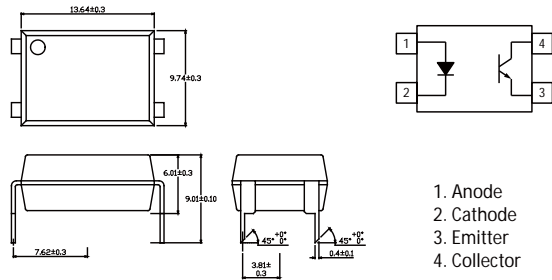


Product	Size (LxWxHmm)	V _{F_Typ} (V)	Rise / Fall Time (μs)	BV _{CEO_Min} (V)	CTR (%)	Viso (V _{rms})	V _{CE(SAT)_Max} (V)
CNY64	8.56x7.2x6.01	1.6	3 / 5	80	50~300	8200	0.3

Photo Coupler | Transistor High Isolation | 4pin DIP-DC



UNIT : mm



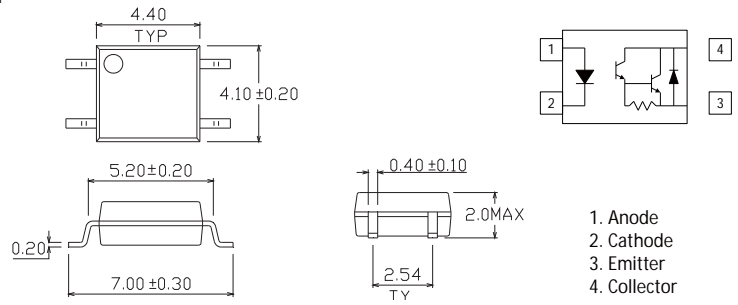
- 1. Anode
- 2. Cathode
- 3. Emitter
- 4. Collector

Product	Size (LxWxHmm)	V _{F_Typ} (V)	Rise / Fall Time (μs)	BV _{CEO_Min} (V)	CTR (%)	Viso (V _{rms})	V _{CE(SAT)_Max} (V)
CNY65	13.64x9.74x6.01	1.6	3 / 5	80	50~300	8200	0.3

Photo Coupler | Darlington Transistor | 4Pin SOP-DC



UNIT : mm



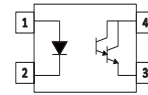
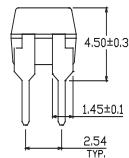
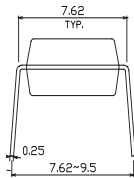
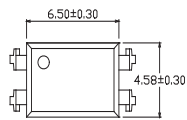
- 1. Anode
- 2. Cathode
- 3. Emitter
- 4. Collector

Product	Size (LxWxHmm)	V _{F_Typ} (V)	Rise / Fall Time (μs)	BV _{CEO_Min} (V)	CTR (%)	Viso (V _{rms})	V _{CE(SAT)_Max} (V)
EL452-G	4.4x4.1x2	1.2	80 / 10	350	1000 min.	3750	1.5

Photo Coupler | Darlington Transistor | 4Pin DIP-DC



UNIT : mm

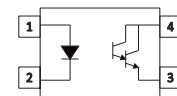
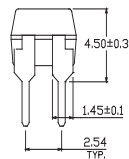
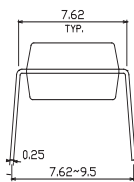
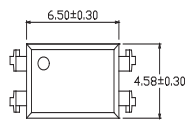


- 1. Anode
- 2. Cathode
- 3. Emitter
- 4. Collector

Product	Size (LxWxHmm)	V_F _Typ (V)	Rise / Fall Time (μ s)	BV_{CE0_Min} (V)	CTR (%)	Viso (V_{rms})	$V_{CE(SAT)_Max}$ (V)
EL815	6.5x4.58x3.5	1.2	60 / 53	35	600~7500	5000	1



UNIT : mm



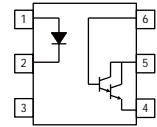
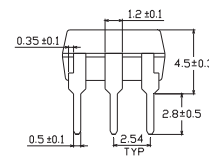
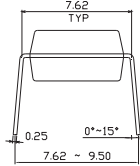
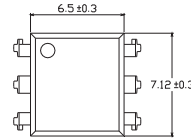
- 1. Anode
- 2. Cathode
- 3. Emitter
- 4. Collector

Product	Size (LxWxHmm)	V_F _Typ (V)	Rise / Fall Time (μ s)	BV_{CE0_Min} (V)	CTR (%)	Viso (V_{rms})	$V_{CE(SAT)_Max}$ (V)
EL852	6.5x4.58x3.5	1.2	300 / 100	350	1000~15000	5000	1.2

Photo Coupler | Darlington Transistor | 6Pin DIP-DC



UNIT : mm



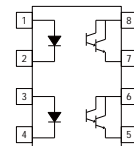
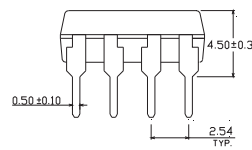
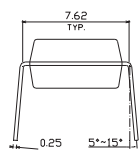
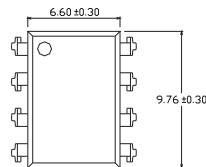
- 1. Anode
- 2. Cathode
- 3. No Connection
- 4. Emitter
- 5. Collector
- 6. Base

Product	Size (LxWxHmm)	V _{F_Typ} (V)	Rise / Fall Time (μs)	BV _{CEO_Min} (V)	CTR (%)	Viso (V _{rms})	V _{CE(SAT)_Max} (V)
4N29	7.12x6.5x3.5	1.2	5 / 40	55	100 min.	5000	1
4N30	7.12x6.5x3.5	1.2	5 / 40	55	100 min.	5000	1
4N31	7.12x6.5x3.5	1.2	5 / 40	55	50 min.	5000	1.2
4N32	7.12x6.5x3.5	1.2	5 / 100	55	500 min.	5000	1
4N33	7.12x6.5x3.5	1.2	5 / 100	55	500 min.	5000	1
H11B1	7.12x6.5x3.5	1.2	25 / 18	55	500 min.	5000	1
H11B2	7.12x6.5x3.5	1.2	25 / 18	55	200 min.	5000	1
H11B3	7.12x6.5x3.5	1.2	25 / 18	55	100 min.	5000	1
H11B255	7.12x6.5x3.5	1.2	25 / 18	55	100 min.	5000	1
TIL113	7.12x6.5x3.5	1.2	5 / 100	55	300 min.	5000	1.2

Photo Coupler | Darlington Transistor | 8Pin DIP-DC



UNIT : mm



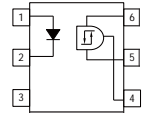
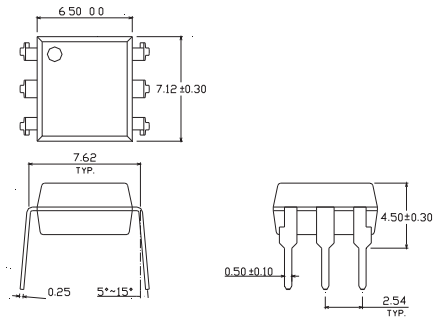
- 1, 3. Anode
- 2, 4. Cathode
- 5, 7. Emitter
- 6, 8. Collector

Product	Size (LxWxHmm)	V _{F_Typ} (V)	Rise / Fall Time (μs)	BV _{CEO_Min} (V)	CTR (%)	Viso (V _{rms})	V _{CE(SAT)_Max} (V)
EL825	9.76x6.6x3.5	1.2	60 / 53	40	600-7500	5000	1

Photo Coupler | Schmitt Trigger | 6Pin DIP-DC



UNIT : mm



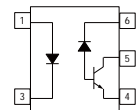
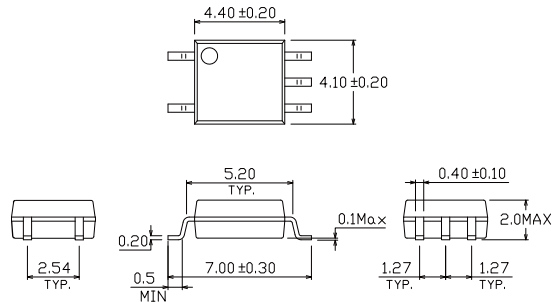
- 1. Anode
- 2. Cathode
- 3. No Connection
- 4. V_O
- 5. GND
- 6. V_{CC}

Product	Size (LxWxHmm)	Rise / Fall Time (μs)	Supply Voltage (V)	Viso (V _{rms})	I _{FT} (mA)	I _{CC_Max} (mA)	I _O (mA)
H11L1	7.12x6.5x3.5	0.1 / 0.1	3-15	5000	1.6	5	50 max.
H11L2	7.12x6.5x3.5	0.1 / 0.1	3-15	5000	10	5	50 max.
H11L3	7.12x6.5x3.5	0.1 / 0.1	3-15	5000	5	5	50 max.

Photo Coupler | High Speed | 5Pin SOP-DC



UNIT : mm

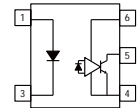
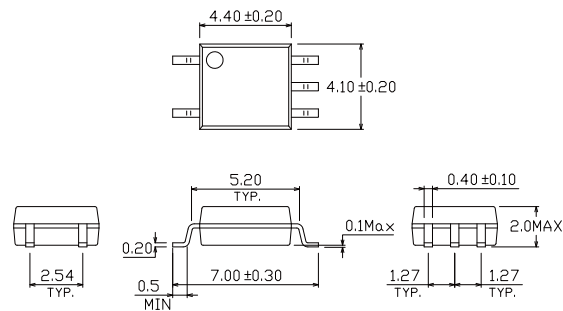


- 1: Anode
- 3: Cathode
- 4: GND
- 5: V_{out}
- 6: V_{CC}

Product	Size (LxWxHmm)	tPHL / tPLH (ns)	Supply Voltage (V)	CTR (%)	Viso (V _{rms})	CMR (V/us)	I _O (mA)
ELM452	4.4x4.1x2	800 / 800	30 max.	20-50	3750	5000	8
ELM453	4.4x4.1x2	800 / 800	30 max.	20-50	3750	15000	8
ELM453L	4.4x4.1x2	800 / 800	30 max.	20-50	3750	15000	8



UNIT : mm



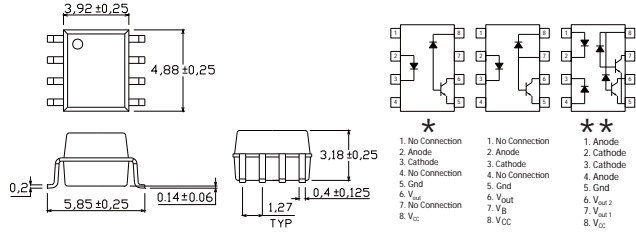
- 1: Anode
- 3: Cathode
- 4: GND
- 5: V_{out}
- 6: V_{CC}

Product	Size (LxWxHmm)	tPHL / tPLH (ns)	Supply Voltage (V)	I _{FT} (mA)	Viso (V _{rms})	CMR (V/us)	I _O (mA)
ELM600	4.4x4.1x2	100 / 100	7 max.	5	3750	-	50 max.
ELM601	4.4x4.1x2	100 / 100	7 max.	5	3750	5000	50 max.
ELM611	4.4x4.1x2	100 / 100	7 max.	5	3750	20000	50 max.

Photo Coupler | High Speed | 8Pin SOP-DC



UNIT : mm

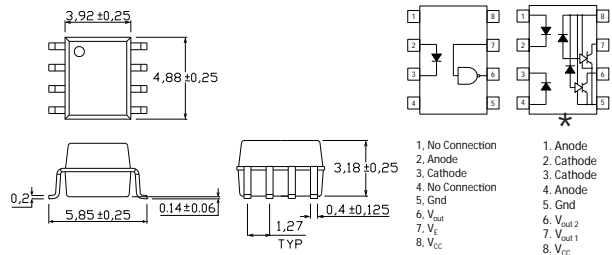


Product	Size (LxWxHmm)	tPHL / tPLH (ns)	Supply Voltage (V)	CTR (%)	Viso (V _{rms})	CMR (V/us)	I _O (mA)
*EL0452	4.88x3.92x3.18	1000 / 1000	30 max.	19-50	3750	1000	8
*EL0453	4.88x3.92x3.18	1000 / 1000	30 max.	19-50	3750	15000	8
EL0500	4.88x3.92x3.18	2000 / 2000	30 max.	7-50	3750	1000	8
EL0501	4.88x3.92x3.18	1000 / 1000	30 max.	19-50	3750	1000	8
EL050L	4.88x3.92x3.18	800 / 800	30 max.	20-50	3750	15000	8
**EL0530	4.88x3.92x3.18	2000 / 2000	30 max.	7-50	3750	1000	8
**EL0531	4.88x3.92x3.18	1000 / 1000	30 max.	19-50	3750	1000	8

Star mark * : Please refer to the schematic of Pin configuration with " * " mark



UNIT : mm

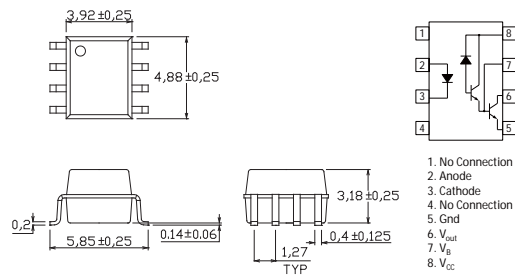


Product	Size (LxWxHmm)	tPHL / tPLH (ns)	Supply Voltage (V)	I _{FT} (mA)	Viso (V _{rms})	CMR (V/us)	I _O (mA)
EL0600	4.88x3.92x3.18	75 / 75	7 max.	5	3750	--	50 max.
EL0601	4.88x3.92x3.18	75 / 75	7 max.	5	3750	5000	50 max.
EL0611	4.88x3.92x3.18	75 / 75	7 max.	5	3750	10000	50 max.
EL060L	4.88x3.92x3.18	75 / 75	7 max.	5	3750	10000	50 max.
*EL0630	4.88x3.92x3.18	100 / 100	7 max.	5	3750	5000	50 max.
*EL0631	4.88x3.92x3.18	100 / 100	7 max.	5	3750	10000	50 max.

Star mark * : Please refer to the schematic of Pin configuration with " * " mark



UNIT : mm

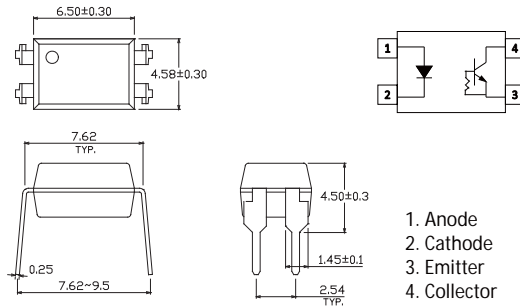


Product	Size (LxWxHmm)	tPHL / tPLH (ns)	Supply Voltage (V)	CTR (%)	Viso (V _{rms})	CMR (V/us)	I _O (mA)
EL0700	4.88x3.92x3.18	3000 / 8000	7	2000 typ.	3750	1000	60 max.
EL0701	4.88x3.92x3.18	11000 / 20000	18	2500 typ.	3750	1000	60 max.

Photo Coupler | High Speed | 4pin DIP-DC



UNIT : mm



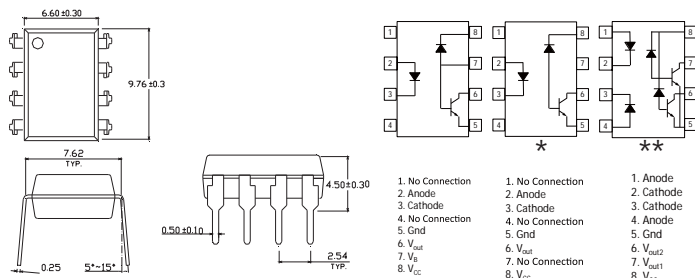
- 1. Anode
- 2. Cathode
- 3. Emitter
- 4. Collector

Product	Size (LxWxHmm)	V _{F_Typ} (V)	Rise / Fall Time (μs)	BV _{CEO_Min} (V)	CTR (%)	Viso (V _{rms})	V _{CE(SAT)_Max} (V)
EL2514-G	6.5x4.58x3.5	1.2	15/15	40	50~200	5000	0.35

Photo Coupler | High Speed | 8Pin DIP-DC



UNIT : mm



- 1. No Connection
- 2. Anode
- 3. Cathode
- 4. No Connection
- 5. Gnd
- 6. V_{out2}
- 7. V_{out1}
- 8. V_{CC}

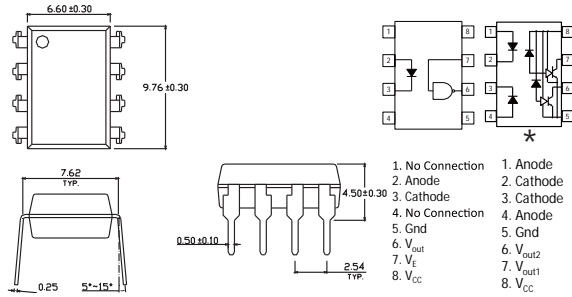
Product	Size (LxWxHmm)	t _{PHL} / t _{PLH} (ns)	Supply Voltage (V)	CTR (%)	Viso (V _{rms})	CMR (V/us)	I _O (mA)
6N135	9.76x6.6x3.5	2000 / 2000	30 max.	7~50	5000	1000	8
6N136	9.76x6.6x3.5	1000 / 1000	30 max.	19~50	5000	1000	8
*EL4502	9.76x6.6x3.5	1000 / 1000	30 max.	19~50	5000	1000	8
*EL4503	9.76x6.6x3.5	1000 / 1000	30 max.	19~50	5000	15000	8
*EL4504	9.76x6.6x3.5	400 / 400	30 max.	25~60	5000	15000	8
**EL2530	9.76x6.6x3.5	2000 / 2000	30 max.	7~50	5000	1000	8
**EL2531	9.76x6.6x3.5	1000 / 1000	30 max.	19~50	5000	1000	8

Star mark * : Please refer to the schematic of Pin configuration with " * * * ** " mark

Photo Coupler | High Speed | 8Pin DIP-DC



UNIT : mm

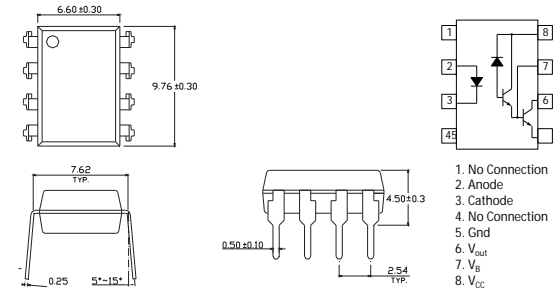


Product	Size (LxWxHmm)	tPHL / tPLH (ns)	Supply Voltage (V)	I _{FT} (mA)	Viso (V _{rms})	CMR (V/us)	I _O (mA)
6N137	9.76x6.6x3.5	75 / 75	7 max.	5	5000	-	50 max.
EL2601	9.76x6.6x3.5	75 / 75	7 max.	5	5000	5000	50 max.
EL2611	9.76x6.6x3.5	75 / 75	7 max.	5	5000	10000	50 max.
EL260L	9.76x6.6x3.5	75 / 75	7 max	5	5000	10000	50 max
*EL2630	9.76x6.6x3.5	100 / 100	7 max.	5	5000	5000	50 max.
*EL2631	9.76x6.6x3.5	100 / 100	7 max.	5	5000	10000	50 max.

Star mark * : Please refer to the schematic of Pin configuration with " * " mark



UNIT : mm



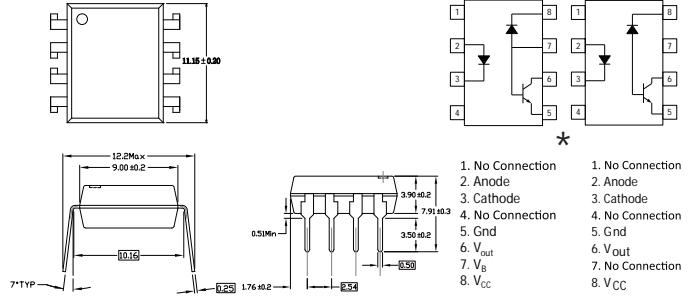
Product	Size (LxWxHmm)	tPHL / tPLH (ns)	Supply Voltage (V)	CTR (%)	Viso (V _{rms})	CMR (V/us)	I _O (mA)
6N138	9.76x6.6x3.5	15000 / 50000	7 max.	300 min.	5000	1000	60 max.
6N139	9.76x6.6x3.5	30000 / 90000	18 max.	500 min.	5000	1000	60 max.

Photo Coupler

Photo Coupler | High Speed | 8Pin Wide Body DIP-DC



UNIT : mm



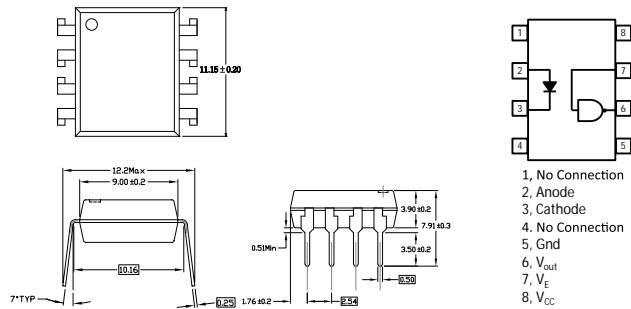
Product	Size (LxWxHmm)	tPHL / tPLH (ns)	Supply Voltage (V)	CTR (%)	Viso (V _{rms})	CMR (V/us)	I _O (mA)
ELW135	11.15x9x3.9	2000 / 2000	30 max.	7-50	5000	1000	8 max.
ELW136	11.15x9x3.9	1000 / 1000	30 max.	19-50	5000	1000	8 max.
*ELW4503	11.15x9x3.9	1000 / 1000	30 max.	19-50	5000	15000	8 max.

Star mark * : Please refer to the schematic of Pin configuration with " * " mark

Photo Coupler



UNIT : mm

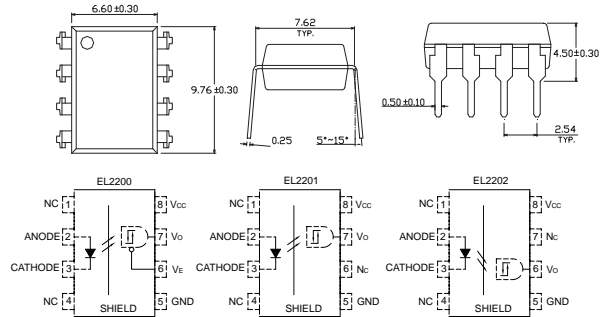


Product	Size (LxWxHmm)	tPHL / tPLH (ns)	Supply Voltage (V)	I _{FT} (mA)	Viso (V _{rms})	CMR (V/us)	I _O (mA)
ELW137	11.15x9x3.9	100 / 100	7 max.	5	5000	-	50 max.
ELW2601	11.15x9x3.9	100 / 100	7 max.	5	5000	5000	50 max.
ELW2611	11.15x9x3.9	100 / 100	7 max.	5	5000	10000	50 max.

Photo Coupler | High Speed Low Input Current | 8Pin DIP-DC



UNIT : mm

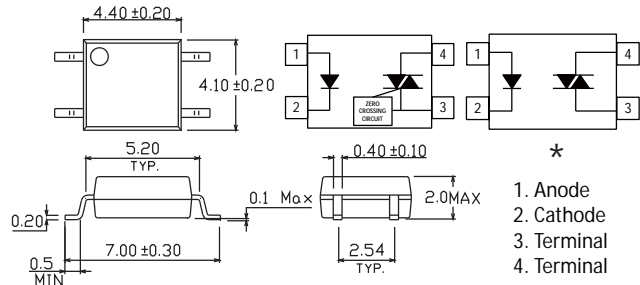


Product	Size (LxWxHmm)	tPHL / tPLH (ns)	Supply Voltage (V)	I _{FT} (mA)	Viso (V _{rms})	CMR (V/us)	I _O (mA)
EL2200	9.76x6.6x3.5	300 / 300	20 max	1.6	5000	1000	25 max
EL2201	9.76x6.6x3.5	300 / 300	20 max	1.6	5000	1000	25 max
EL2202	9.76x6.6x3.5	300 / 300	20 max	1.6	5000	1000	25 max

Photo Coupler | Triac | 4Pin SOP-DC



UNIT : mm



Product	Size (LxWxHmm)	V _{TM} (V)	V _{INH} (V)	V _{DRM} (V)	V _{F-Max} (V)	Viso (V _{rms})	I _{FT} (mA)
ELM3042	4.4x4.1x2	3	20	400	1.5	3750	10
ELM3043	4.4x4.1x2	3	20	400	1.5	3750	5
ELM3044	4.4x4.1x2	3	20	400	1.5	3750	3
ELM3062	4.4x4.1x2	3	20	600	1.5	3750	10
ELM3063	4.4x4.1x2	3	20	600	1.5	3750	5
ELM3064	4.4x4.1x2	3	20	600	1.5	3750	3
ELM3082	4.4x4.1x2	3	20	800	1.5	3750	10
ELM3083	4.4x4.1x2	3	20	800	1.5	3750	5
ELM3084	4.4x4.1x2	3	20	800	1.5	3750	3
*ELM3022	4.4x4.1x2	2.5	--	400	1.2	3750	10
*ELM3023	4.4x4.1x2	2.5	--	400	1.2	3750	5
*ELM3024	4.4x4.1x2	2.5	--	400	1.2	3750	3
*ELM3052	4.4x4.1x2	2.5	--	600	1.2	3750	10
*ELM3053	4.4x4.1x2	2.5	--	600	1.2	3750	5
*ELM3054	4.4x4.1x2	2.5	--	600	1.2	3750	3

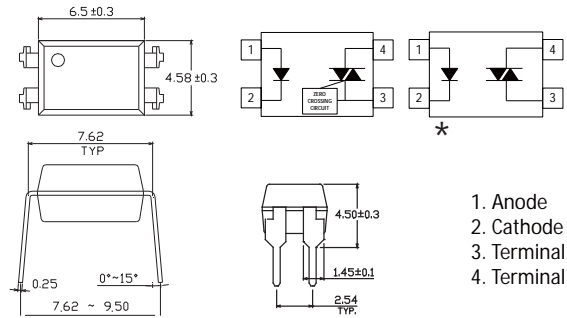
Star mark * : Please refer to the schematic of Pin configuration with " * " mark

Photo Coupler

Photo Coupler | Triac | 4Pin DIP-DC



UNIT : mm



- 1. Anode
- 2. Cathode
- 3. Terminal
- 4. Terminal

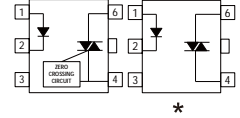
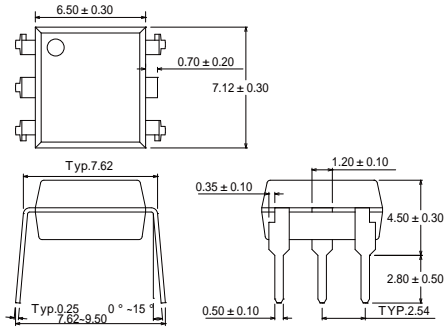
Product	Size (LxWxHmm)	V _{TM} (V)	V _{INH} (V)	V _{DRM} (V)	V _{F_Max} (V)	V _{iso} (V _{rms})	I _{FT} (mA)
ELT3041	6.5x4.58x3.5	3	20	400	1.5	5000	15
ELT3042	6.5x4.58x3.5	3	20	400	1.5	5000	10
ELT3043	6.5x4.58x3.5	3	20	400	1.5	5000	5
ELT3061	6.5x4.58x3.5	3	20	600	1.5	5000	15
ELT3062	6.5x4.58x3.5	3	20	600	1.5	5000	10
ELT3063	6.5x4.58x3.5	3	20	600	1.5	5000	5
ELT3081	6.5x4.58x3.5	3	20	800	1.5	5000	15
ELT3082	6.5x4.58x3.5	3	20	800	1.5	5000	10
ELT3083	6.5x4.58x3.5	3	20	800	1.5	5000	5
*ELT3021	6.5x4.58x3.5	2.5	-	400	1.2	5000	15
*ELT3022	6.5x4.58x3.5	2.5	-	400	1.2	5000	10
*ELT3023	6.5x4.58x3.5	2.5	-	400	1.2	5000	5
*ELT3051	6.5x4.58x3.5	2.5	-	600	1.2	5000	15
*ELT3052	6.5x4.58x3.5	2.5	-	600	1.2	5000	10
*ELT3053	6.5x4.58x3.5	2.5	-	600	1.2	5000	5

Star mark * : Please refer to the schematic of Pin configuration with " * " mark

Photo Coupler | Triac | 5Pin DIP-DC



UNIT : mm



- 1. Anode
- 2. Cathode
- 3. No Connection
- 4. Terminal
- 5. Pin Cut
- 6. Terminal

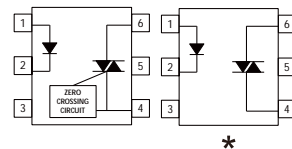
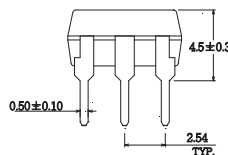
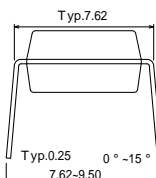
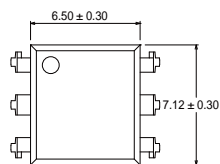
Product	Size (LxWxHmm)	V _{TM} (V)	V _{INH} (V)	V _{DRM} (V)	V _{F-Typ} (V)	Viso (V _{rms})	I _{FT} (mA)
EL3031(P5)	7.12x6.5x3.5	3	20	250	--	5000	15
EL3032(P5)	7.12x6.5x3.5	3	20	250	--	5000	10
EL3033(P5)	7.12x6.5x3.5	3	20	250	--	5000	5
EL3041(P5)	7.12x6.5x3.5	3	20	400	--	5000	15
EL3042(P5)	7.12x6.5x3.5	3	20	400	--	5000	10
EL3043(P5)	7.12x6.5x3.5	3	20	400	--	5000	5
EL3061(P5)	7.12x6.5x3.5	3	20	600	--	5000	15
EL3062(P5)	7.12x6.5x3.5	3	20	600	--	5000	10
EL3063(P5)	7.12x6.5x3.5	3	20	600	--	5000	5
EL3081(P5)	7.12x6.5x3.5	3	20	800	--	5000	15
EL3082(P5)	7.12x6.5x3.5	3	20	800	--	5000	10
EL3083(P5)	7.12x6.5x3.5	3	20	800	--	5000	5
*EL3010(P5)	7.12x6.5x3.5	2.5	--	250	1.18	5000	15
*EL3011(P5)	7.12x6.5x3.5	2.5	--	250	1.18	5000	10
*EL3012(P5)	7.12x6.5x3.5	2.5	--	250	1.18	5000	5
*EL3021(P5)	7.12x6.5x3.5	2.5	--	400	1.18	5000	15
*EL3022(P5)	7.12x6.5x3.5	2.5	--	400	1.18	5000	10
*EL3023(P5)	7.12x6.5x3.5	2.5	--	400	1.18	5000	5
*EL3051(P5)	7.12x6.5x3.5	2.5	--	600	1.18	5000	15
*EL3052(P5)	7.12x6.5x3.5	2.5	--	600	1.18	5000	10
*EL3053(P5)	7.12x6.5x3.5	2.5	--	600	1.18	5000	5

Photo Coupler

Photo Coupler | Triac | 6Pin DIP-DC



UNIT : mm



- 1. Anode
- 2. Cathode
- 3. No Connection
- 4. Terminal
- 5. Substrate
(do not connect)
- 6. Terminal

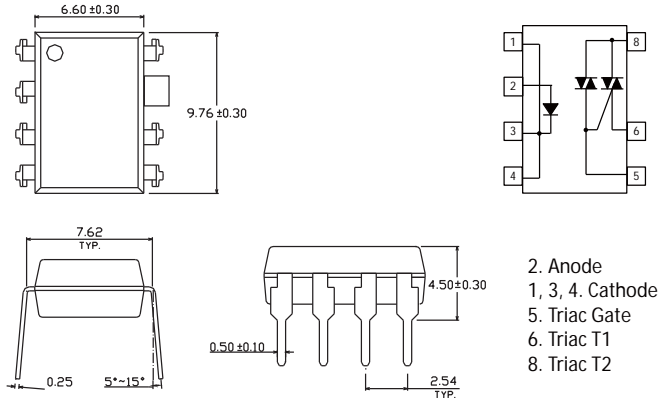
Product	Size (LxWxHmm)	V _{TM} (V)	V _{INH} (V)	V _{DRM} (V)	V _{F-Typ} (V)	Viso (V _{rms})	I _{FT} (mA)
EL3031	7.12x6.5x3.5	3	20	250	--	5000	15
EL3032	7.12x6.5x3.5	3	20	250	--	5000	10
EL3033	7.12x6.5x3.5	3	20	250	--	5000	5
EL3041	7.12x6.5x3.5	3	20	400	--	5000	15
EL3042	7.12x6.5x3.5	3	20	400	--	5000	10
EL3043	7.12x6.5x3.5	3	20	400	--	5000	5
EL3061	7.12x6.5x3.5	3	20	600	--	5000	15
EL3062	7.12x6.5x3.5	3	20	600	--	5000	10
EL3063	7.12x6.5x3.5	3	20	600	--	5000	5
EL3081	7.12x6.5x3.5	3	20	800	--	5000	15
EL3082	7.12x6.5x3.5	3	20	800	--	5000	10
EL3083	7.12x6.5x3.5	3	20	800	--	5000	5
*EL3010	7.12x6.5x3.5	2.5	--	250	1.18	5000	15
*EL3011	7.12x6.5x3.5	2.5	--	250	1.18	5000	10
*EL3012	7.12x6.5x3.5	2.5	--	250	1.18	5000	5
*EL3021	7.12x6.5x3.5	2.5	--	400	1.18	5000	15
*EL3022	7.12x6.5x3.5	2.5	--	400	1.18	5000	10
*EL3023	7.12x6.5x3.5	2.5	--	400	1.18	5000	5
*EL3051	7.12x6.5x3.5	2.5	--	600	1.18	5000	15
*EL3052	7.12x6.5x3.5	2.5	--	600	1.18	5000	10
*EL3053	7.12x6.5x3.5	2.5	--	600	1.18	5000	5

Star mark * : Please refer to the schematic of Pin configuration with * * mark

Photo Coupler | Photo Power Triac | 7pin DIP-DC



UNIT : mm

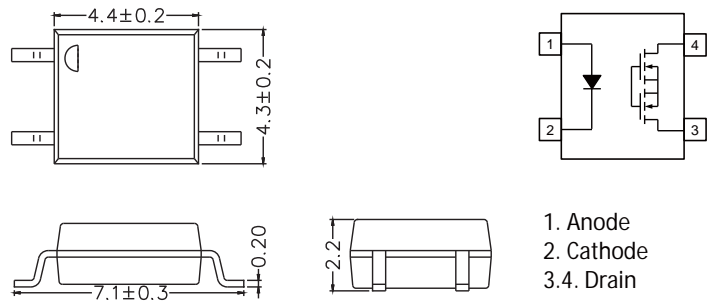


Product	Size (LxWxHmm)	IT(rms) (A)	VDRM (V)	ITSM(A)	VTM (V)	Viso (Vrms)	IFT (mA)
ELR0223	9.76x6.5x3.5	0.3	600V	3	2.5	5000	10
ELR1223	9.76x6.5x3.5	0.6	600V	6	2.5	5000	10
ELR2223	9.76x6.5x3.5	0.9	600V	9	2.5	5000	10
ELR3223	9.76x6.5x3.5	1.2	600V	12	2.5	5000	10

Photo Coupler | Solid State Relay | 4pin SOP-DC



UNIT : mm



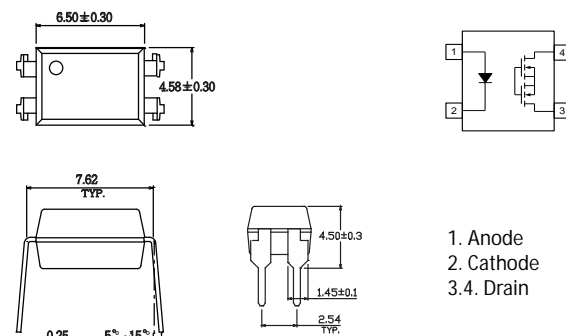
Product	Size (LxWxHmm)	Output type	Load Voltage (V)	Load Current (mA)	Ron Typ.(Ω)	I _{fon} max. (mA)	Viso (Vrms)
ELM440A	4.4x4.3x2.2	Normally Open 1 Form A	400	120	20	5	3750
ELM460A	4.4x4.3x2.2	Normally Open 1 Form A	600	50	40	5	3750

Photo Coupler

Photo Coupler | Solid State Relay | 4Pin DIP-DC



UNIT : mm



- 1. Anode
- 2. Cathode
- 3. Drain

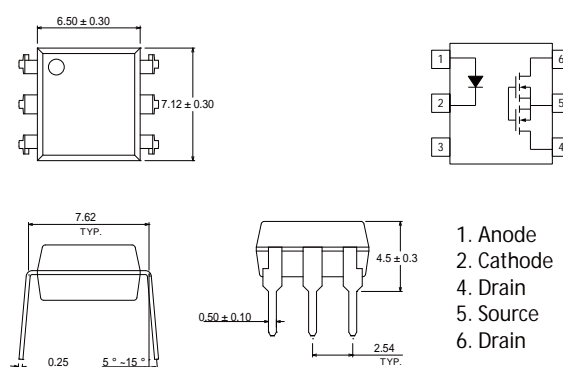
Product	Size (LxWxHmm)	Output type	Load Voltage (V)	Load Current (mA)	Ron Typ.(Ω)	Ifon max. (mA)	Viso (Vrms)
EL406A	6.5x4.58x3.5	Normally Open 1 Form A	60	550	0.75	5	5000
EL425A	6.5x4.58x3.5	Normally Open 1 Form A	250	180	6.5	5	5000
EL440A	6.5x4.58x3.5	Normally Open 1 Form A	400	120	20	5	5000
EL460A	6.5x4.58x3.5	Normally Open 1 Form A	600	50	40	5	5000

Photo Coupler | Solid State Relay | 6Pin DIP-DC

Photo Coupler



UNIT : mm



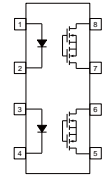
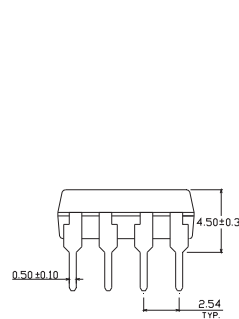
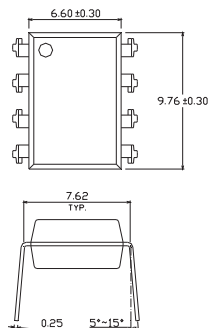
- 1. Anode
- 2. Cathode
- 4. Drain
- 5. Source
- 6. Drain

Product	Size (LxWxHmm)	Output type	Load Voltage (V)	Load Current (mA)	Ron Typ.(Ω)	Ifon max. (mA)	Viso (Vrms)
EL606A	7.12x6.5x3.5	Normally Open 1 Form A	60	550	0.75	3	5000
EL625A	7.12x6.5x3.5	Normally Open 1 Form A	250	180	6.5	3	5000
EL640A	7.12x6.5x3.5	Normally Open 1 Form A	400	120	20	3	5000
EL660A	7.12x6.5x3.5	Normally Open 1 Form A	600	50	40	3	5000

Photo Coupler | Solid State Relay | 8Pin DIP-DC



UNIT : mm



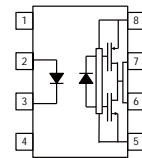
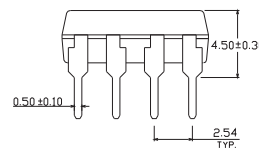
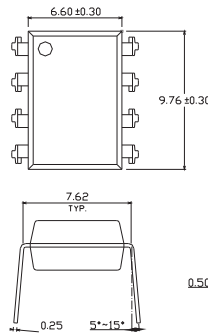
- 1, 3. Anode
- 2, 4. Cathode
- 5, 6, 7, 8. Drain

Product	Size (LxWxHmm)	Output type	Load Voltage (V)	Load Current (mA)	Ron Typ.(Ω)	I _{fon} max. (mA)	Viso (Vrms)
EL840A	9.76x6.5x3.5	Normally Open 2 Form A	400	120	20	5	5000
EL860A	9.76x6.5x3.5	Normally Open 2 Form A	600	50	40	5	5000

Photo Coupler | Gate Driver | 8pin DIP-DC



UNIT : mm



- 1, No Connection
- 2, Anode
- 3, Cathode
- 4, No Connection
- 5, Gnd
- 6, V_{out}
- 7, V_{out}
- 8, V_{CC}

Product	Size (LxWxHmm)	t _{PHL} / t _{PLH} (ns)	High Level Output Current (A)	Low Level Output Current (A)	Viso (Vrms)	CMR (KV/us)	IFT (mA)
EL3120	9.76x6.5x3.5	300 max. /300 max.	2 min.	-2 min.	5000	20	5

Photo Coupler

Notice

The content of this Catalogue is provided for informational purposes only. EVERLIGHT makes no representations about the accuracy, reliability, completeness of the information in this catalogue. EVERLIGHT may, at its sole discretion, revise the specifications, appearance, structures and materials herein without notice for the purpose of improvement. Please contact EVERLIGHT sales should you require more information on a product or its application.

This Catalogue does not contain any guarantee or agreed quality of EVERLIGHT's products or any warranty of merchantability, intellectual property, and fitness for a particular purpose. EVERLIGHT's obligation and responsibilities regarding its products are governed solely by the agreements under which they are sold. Unless otherwise agreed in writing, the information contained herein does not become part of the agreements.

The trademarks and logos ("Trademarks") displayed in this Catalogue are the property of EVERLIGHT and/or its affiliates. Nothing in this Catalogue should be construed as granting any licenses or right to the Trademarks. Without the express written consent of EVERLIGHT, the use of the Trademarks is prohibited.

All text, images, graphics and other materials contained in this Catalogue are subject to the copyright and other intellectual property rights of EVERLIGHT and/or its affiliates.

Structure and materials incorporated in LED packages may change according to customer's requests. Any LED package incorporating β -SiAlON phosphor are licensed by NIMS on the following Patents, Patent Publications and Patent Applications: Patent No. 3975451 (Japan), Patent No. 7,678,294 (US), Patent No. I-299055 (Taiwan), Patent No. ZL200580000742.3 (China), Patent Application No. 12/096,601 (US), Patent Application No. 2007-549180 (Japan), Patent Publication No. DE1 12005000044T5 (Germany), Patent Publication No.10-2007-0021140 (Korea), and Patent Publication No. EP1964905 (Europe).

EVERLIGHT

EVERLIGHT

EVERLIGHT

ASIA**CHINA****CHINA, HONG KONG**

EVERLIGHT ELECTRONICS CO., LTD.
Units 1606-1610, 16/F., Prosperity Place,
6 Shing Yip Street, Kwun Tong, Kowloon,
Hong Kong
TEL: +852-2388-0602
FAX: +852-2388-1127, 2384-3092

CHINA, SHENZHEN

EVERLIGHT ELECTRONICS CO., LTD.
Room 1101-1102, 3A Building ,Period 1 ,
Tian An Cloud Park ,NO.2018,Xuegang Rd.,
Bantian Sub-District, LongGang District,
Shenzhen City, Guangdong Province, China
Postcode: 518010
TEL: +86-0755-2163-8620
FAX: +86-0755-2163-8764

CHINA, GUANGZHOU

EVERLIGHT ELECTRONICS CO., LTD.
1501 15 F1.,No.266 Xi Huan Road,
Sha Tou Street, Panyu District,
Guangzhou, China
Postcode: 511400
TEL: +86-(0)20-8466-3392
FAX: +86-(0)20-8466-3372

CHINA, SUZHOU

EVERLIGHT ELECTRONICS CO., LTD.
5F, Wanrong International Building,
NO. 3158, Renmin Rd., Gusu Dist., Suzhou City,
Jiangsu Province, P.R. China
Postcode: 215011
TEL: +86-(0)512-8860-5888

CHINA, TIANJIN

EVERLIGHT ELECTRONICS CO., LTD
Room 505,Michael kuan in the valley of
e Imagination world, No 37. NanKai Three Road,
NanKai District,TianJin,China
Postcode: 300100
TEL: +86-22-2635-1122, 2635-1133

KOREA

EVERLIGHT OPTOELECTRONICS
KOREA CO., LTD.
7F S706-1 Garden 5 Works Choongmin Rd52.,
Songpa-gu, Seoul, KOREA.
TEL: +82-2-2047-3960
FAX: +82-2-2047-3961
EMAIL: terrychoi@everlightkorea.com

JAPAN, TOKYO

EVERLIGHT JAPAN CORPORATION
4F MITA SUN BLDG., 1-3-35 MITA,
MINATO-KU, TOKYO, 108-0073, JAPAN
TEL: +81-3-5439-9296
FAX: +81-3-5439-9288
EMAIL: elj@everlight.com

JAPAN, KYOTO

EVERLIGHT JAPAN CORPORATION
7F, TAIJU-LIFE KYOTO YAMASHINA BLDG.
46-1, TAKEHANADONOMAECYOU,
YAMASHINA KU, KYOTO, 607-8085, JAPAN
TEL: +81-75-584-6070
FAX: +81-75-584-6080
EMAIL: elj@everlight.com

INDIA, NEW DELHI

EVERLIGHT ELECTRONICS INDIA PRIVATE LTD.
612, Surya Kiran Building, 19, Kasturba Gandhi
Marg, Connaught Place, New Delhi, North East,
Delhi, India, 110001
Mobile: +91-914-8657774
EMAIL: salesindia@everlight.com

MALAYSIA

EVERLIGHT OPTOELECTRONICS(M) SDN BHD
B-04-20 Krystal Point,
303 Jalan Sultan Azlan Shah,
11900 Penang, Malaysia
TEL: +60-4-646-4233
FAX: +60-4-646-5233
EMAIL: inquiry@everlight-pg.com.my

SINGAPORE

EVERLIGHT ELECTRONICS SINGAPORE PTE LTD
66 Tannery Lane #01-03M,
SINDO Building, Singapore 347805
TEL:+65-6747-7937
EMAIL: asean@everlight.com.my

AMERICA**TEXAS USA**

EVERLIGHT AMERICAS INC.
3220 Commander Drive, Suite 100
Carrollton,Texas, 75006, United States
TEL: +1-972-490-4008
FAX: +1-972-490-5009
EMAIL: salesmarketing@everlightamericas.com

CALIFORNIA USA

EVERLIGHT AMERICAS INC.
4237 East Airport Dr.
Ontario, California 91761, United States
TEL: +1-909-937-6070
FAX: +1-909-937-7619
EMAIL: salesmarketing@everlightamericas.com

SAN JOSE USA

EVERLIGHT AMERICAS INC.
960 Saratoga Ave., Suite 112,
San Jose, California, 95129, United States
TEL: +1-408-816-7548
FAX: +1-408-816-7569
EMAIL: salesmarketing@everlightamericas.com

MICHIGAN USA

EVERLIGHT AMERICAS INC.
28345 Beck Road,Suite 109
Wixom,MI,48393
TEL:+1-734-224-9880 Ext:102
FAX:+1-734-224-9922
EMAIL: salesmarketing@everlightamericas.com

EUROPE**GERMANY, KARLSRUHE**

EVERLIGHT ELECTRONICS EUROPE GMBH
Siemensallee 84, Building 7302, 5F
76187 Karlsruhe, Germany
TEL: +49-721-82447-3
FAX: +49-721-82447-40
EMAIL: info@everlight-eu.de

全国免费电话 : 400-6258-289

HEADQUARTERS

No. 6-8, Zhonghua Rd., Shulin Dist., New Taipei City, Taiwan 23860
TEL: +886-2-2685-6688 FAX: +886-2-2685-6699

www.everlight.com