

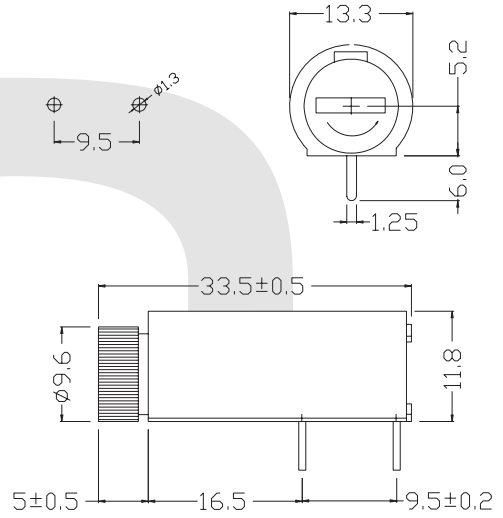
# FUSE AND FUSE HOLDER

## Fuse holder Series



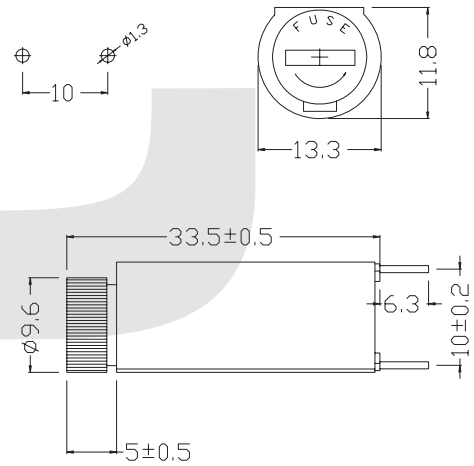
**KLS5-110**

Suitable fuse:  $\phi 5.2 \times 20\text{mm}$   
 Maximum rated value: 10A.250V.AC  
 Holder: High temperature resisting flame-retarded plastic  
 Pole: Silver-plating brass



**KLS5-111**

Suitable fuse:  $\phi 5.2 \times 20\text{mm}$   
 Maximum rated value: 10A.250V.AC  
 Holder: High temperature resisting flame-retarded plastic  
 Pole: Silver-plating brass



**KLS5-242**

Suitable fuse:  $\phi 5.2 \times 20\text{mm}$   
 Maximum rated value: 6A.250V.AC  
 Holder: High temperature resisting flame-retarded plastic  
 Clip pole: Silver-plating brass

