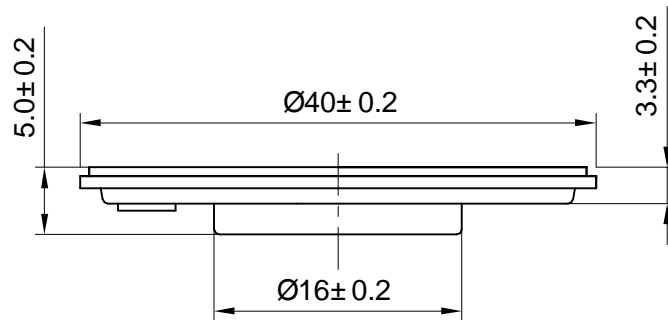
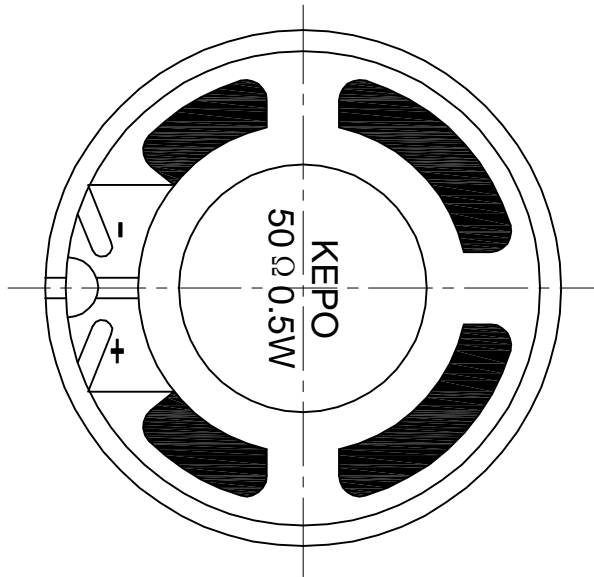


Speaker Specification

Customer's Model No.		Customer	
Kepo Model No.		Size	Φ 40mm
KPSP4048MN-50/0.5F		No.	
No.	Item	Specification	Test Condition
1	Impedance	50Ω± 15%	at 800Hz
2	Resonant Fr. (f _o)	450Hz± 20%	
3	Frequency Range	F0-7.0KHz	
4	Rated Power	0.5W	
5	Max Power	0.6W	
6	S.P.L.	90± 3dB	0.1W/0.1M /0.8, 1.0, 1.2, 1.5kHz
7	Distortion	Max 5%	at rated power 1.0kHz
8	Sweep Test	must be normal	at sine wave 5.0 V
9	Load Test	after test meet item 8	rated noise power, 24 Hrs.
10	Heat Test	after test meet item 8	50± 2℃ 5Hrs.
11	Cold Test	after test meet item 8	-20± 2℃ 5Hrs.
12	Humidity Test	after test meet item 8	40± 2℃,90/95%R.H. 5Hrs.
13	Weight		
14	Polarity Test	When supplied plus D.C. voltage to (+) terminal, the cone must move to forward.	
15	Note		

Dimensions:



FIRST ANGLE PROJECTION

UNIT : mm
Tolerance : ± 0.2