

1

2

3

4

5

6

7

8

A

A

B

B

C

C

D

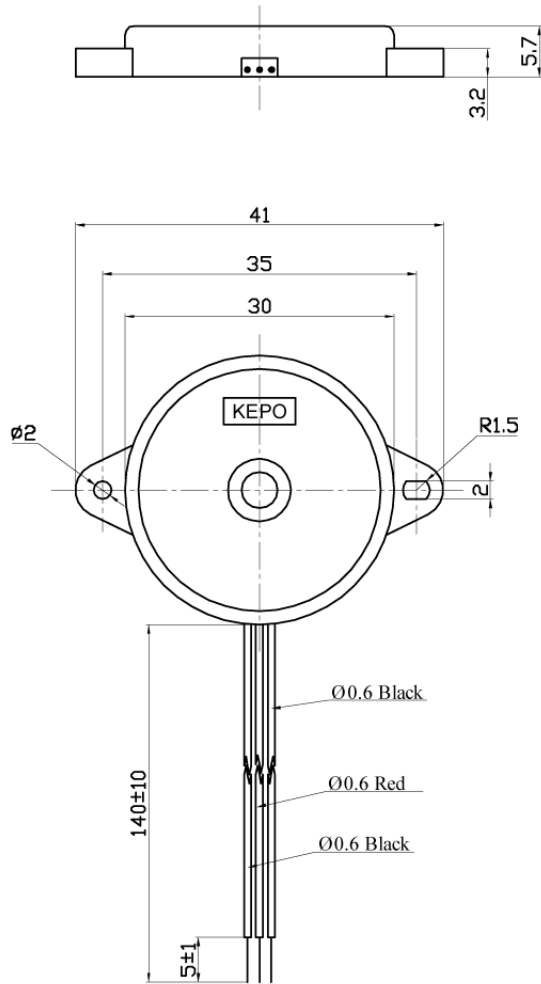
D

E

E

F

F



# SPECIFICATION

- 1. Rated Voltage .....6VDC
- 2. Max. Rated Long Power .....3-18VDC
- 3. Max. Rated Current .....5mA at 6VDC
- 4. Min. Sound Pressure Level .....80dB at 6VDC/30cm
- 5. Tone Nature .....continuous
- 6. Resonant Frequency ..... $3.2 \pm 0.5$ KHz
- 7. Case Material/Color .....ABS/Black
- 8. Operating Temperature .....-20~+60°C
- 9. Store Temperature .....-30~+70°C
- 10. Weight .....3.5g

			<b>KEPO</b> KEPO ELECTRONIC CO., LTD. <a href="http://www.kepo.com.tw">http://www.kepo.com.tw</a>	
No.	DESCRIPTION	APPROVED	DATE	Piezo Transducer <b>KPR3-3010</b>
TOLERANCES UNLESS NOTED OTHERWISE X . XX . XXX . 90° FORMED -.2° ANGLES .1° FIRST ANGLE PROJECTION		APPROVALS	DATE	
		DRAWN		UNIT
		CHECKED		mm
		APPROVED	05.08.23	DWG NO. <b>KP3.840.318</b>
				SCALE NOT TO SCALE
				SHEET
				VER 1.0

1

2

3

4

5

6

7

8