

1

2

3

4

5

6

7

8

A

A

B

B

C

C

D

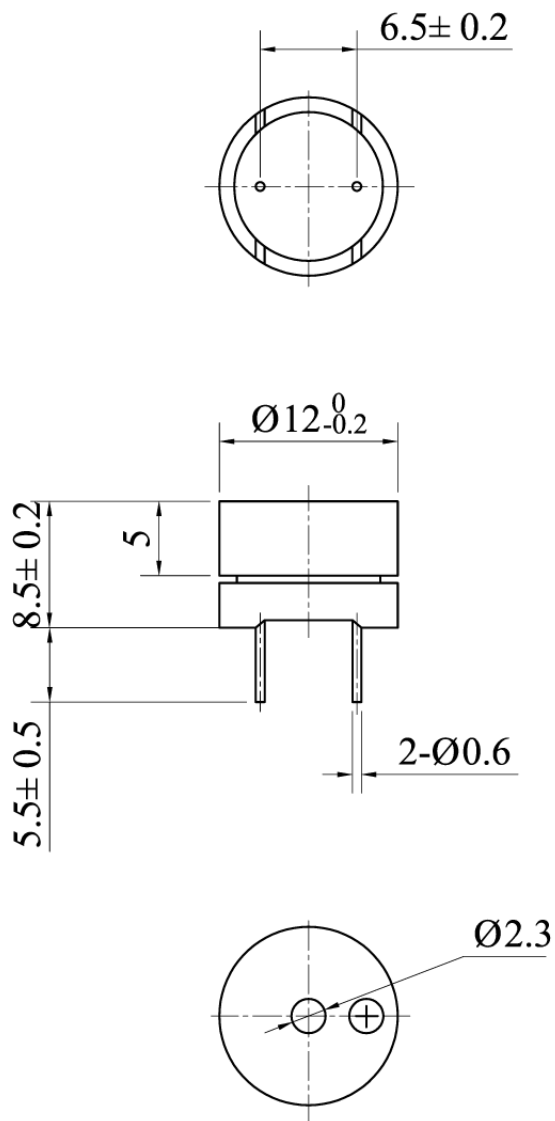
D

E

E

F

F



SPECIFICATION

1. Rated Voltage 1.5 V
2. Operating Voltage 1~2V
3. Max. Rated Current 30mA
4. Coil Resistance $16 \pm 4 \Omega$
5. Coil Impedance 40Ω
6. Min. Sound Pressure Level 85dB/10cm
7. Resonant Frequency 2048Hz
8. Case Material NORYL
9. Operating Temperature $-20 \sim +70^\circ\text{C}$
10. Store Temperature $-30 \sim +80^\circ\text{C}$
11. Weight 2g

				KEPO KEPO ELECTRONIC CO., LTD. http://www.kepo.com.tw	
				Magnetic Buzzer KP12-185A	
No.	DESCRIPTION	APPROVED	DATE		
<small>TOLERANCES UNLESS NOTED OTHERWISE X .XX . .XXX . 90° FORMED +2° ANGLES -1°</small>		DRAWN		UNIT	DWG NO.
		CHECKED		mm	KP3.840.654
FIRST ANGLE PROJECTION		APPROVED	04.11.04	SCALE	SHEET
				NOT TO SCALE	VER 1.2

1

2

3

4

5

6

7

8